



VYRSA

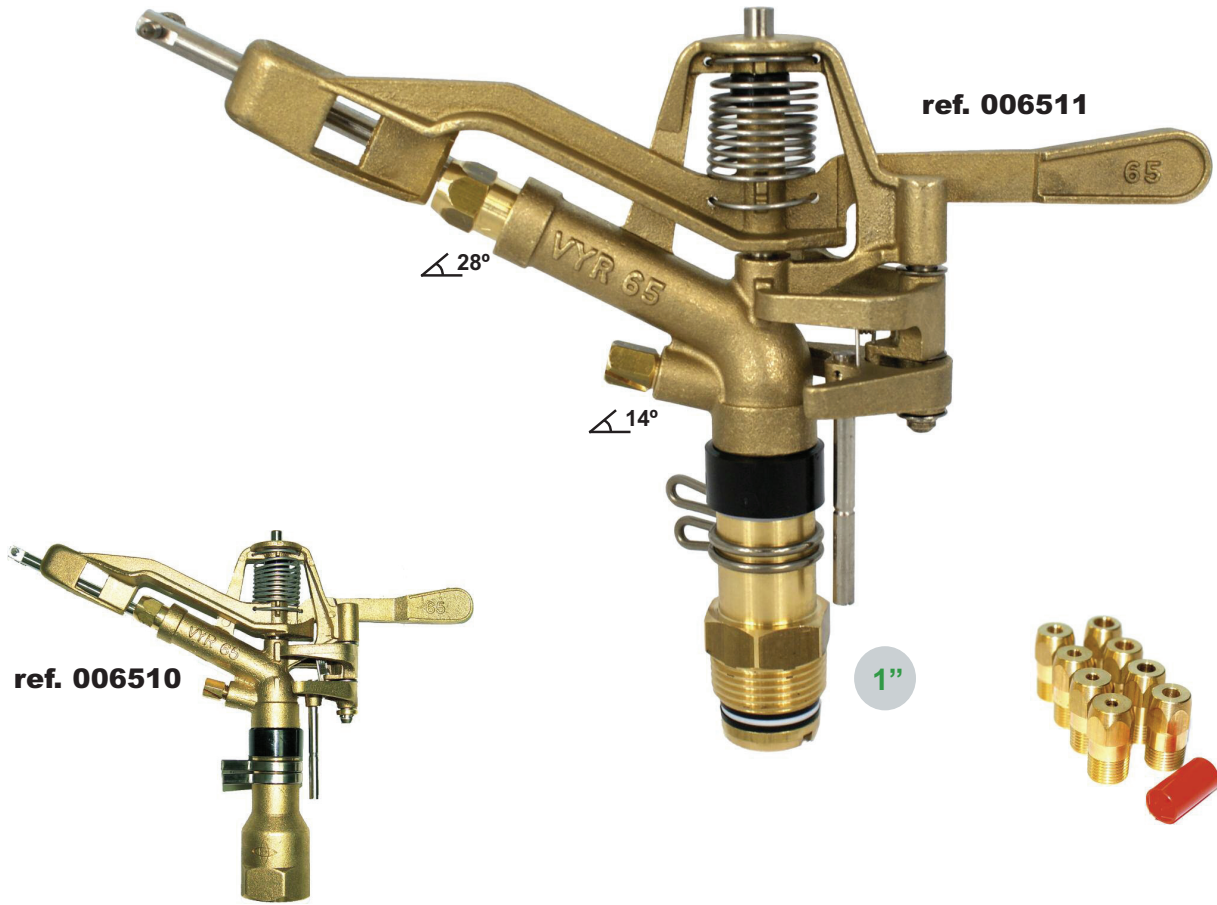
VYR-65

Brass Sprinkler

1" Part Circle

Range: 52-79 feet

Flow: 10-38 gpm



ref. 006511

ref. 006510

General properties:

- Part circle agricultural impact sprinkler, medium-high flow.
- 1" male or female connection.
- Made of brass and stainless steel.
- High-resistance rotating joints.
- Nozzle angles of 28° and 14°.
- Part circle mechanical system using clips that are very easy and quick to adjust.
- Used in full coverage irrigation with medium-high flow to cover the side and corner areas.
- Special mechanical and hydraulic design for energy saving and an optimal coverage coefficient.

Technical specifications:

- Reach: 52-79 ft. (16-24 m).
- Flow: 10-38 GPM (2240 - 8000 l/h).
- Working pressure: 51-87 PSI (3,5 - 6 BAR).
- Area: Part or full circle.
- Nozzles: One main long reach nozzle and a secondary short reach nozzle.
- Trajectory angles: 28° and 14°.
- Maximum stream height: 20 ft. (6,0 m).
- Rotation time: Depending on the pressure and the nozzles, the rotation will be constant and continuous.

Applications:

- Horticultural plantations, cereals, tubers, leguminous plants and fruit trees.

Dimensions:

- Height: 9,4 in. (24 cm).
- Width: 9,8 in. (25 cm).
- Weight: 3,13 lbs. (1.420 grs).
- Units per box: 15.

Models:

- Ref. 006500: Without diffuser pin. 1" female.
- Ref. 006501: Without diffuser pin. 1" male.
- Ref. 006510: With diffuser pin. 1" female.
- Ref. 006511: With diffuser pin. 1" male.

Ref. 106500: Difuser pin set.



Long range nozzles (long vane) + Plug

PSI	7/32" 5,55 mm.		1/4" 6,35 mm.		9/32 " 7,14 mm.		5/16" 7,93 mm.		11/32" 8,73 mm.		3/8" 9,52 mm.	
	GPM.	Ø Ft.	GPM.	Ø Ft.	GPM.	Ø Ft.	GPM.	Ø Ft.	GPM.	Ø Ft.	GPM.	Ø Ft.
51	10,43	138	13,52	141	16,42	144	19,77	151	23,49	151	27,17	151
58	11,23	144	14,53	144	17,74	151	21,35	157	25,23	161	29,28	161
65	11,89	151	15,48	151	18,71	157	22,67	164	27,08	167	30,91	171
73	12,68	154	16,25	157	20,03	161	24,00	171	28,66	177	32,89	180
80	13,21	157	17,17	164	20,98	164	25,10	177	29,98	180	34,50	187

Long range nozzles (long vane) + short range nozzle

PSI	3/16 x 1/8" 4,76 x 3,2 mm.		7/32 x 1/8" 5,55 x 3,2 mm.		1/4 x 1/8" 6,35 x 3,2 mm.		9/32 x 1/8" 7,14 x 3,2 mm.		5/18 x 1/8" 7,93 x 3,2 mm.		11/32 x 1/8" 8,73 x 3,2 mm.	
	GPM.	Ø Ft.	GPM.	Ø Ft.	GPM.	Ø Ft.	GPM.	Ø Ft.	GPM.	Ø Ft.	GPM.	Ø Ft.
51	11,01	131	13,43	138	16,38	144	19,50	151	26,46	157	29,74	164,0
58	12,04	135	14,38	144	17,81	151	20,87	157	28,18	167	32,10	177,2
65	12,64	138	15,28	151	18,76	157	22,21	164	30,12	177	34,34	187,0
73	13,34	141	16,11	154	19,81	161	23,69	167	31,96	184	36,32	196,8
80	13,98	144	16,93	157	20,87	164	24,55	171	33,68	187	38,04	203,4

 **STANDARD** **Ø ft.** : Diameter of coverage

- Sprinklers will be supplied with standard nozzles unless otherwise specified.
- In order to calculate the flow, add the flows of the two nozzles. The range of the rear nozzle must be less than that of the main nozzle.

