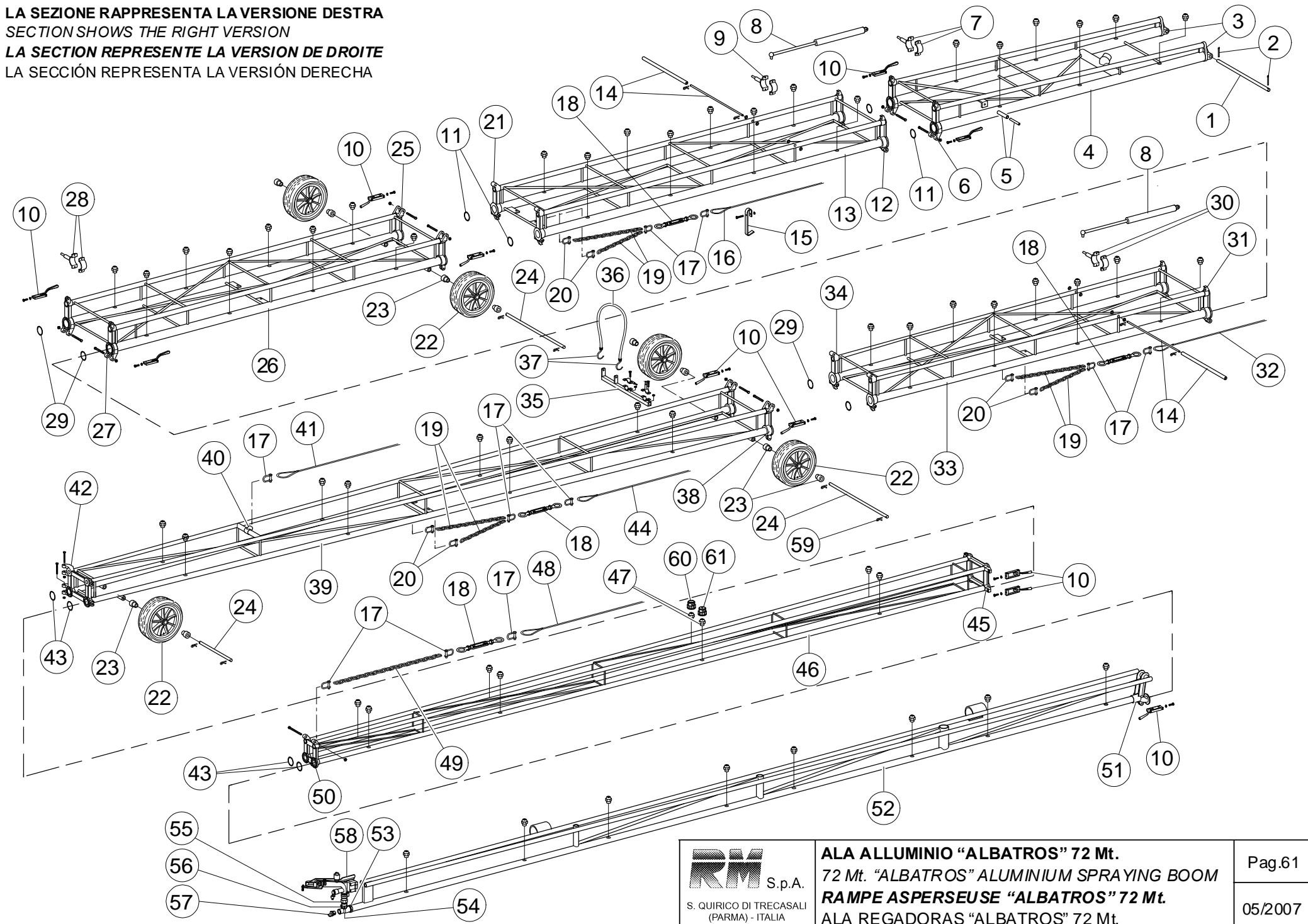


LA SEZIONE RAPPRESENTA LA VERSIONE DESTRA
 SECTION SHOWS THE RIGHT VERSION
 LA SECTION REPRESENTE LA VERSION DE DROITE
 LA SECCIÓN REPRESENTA LA VERSIÓN DERECHA



ALA ALLUMINIO "ALBATROS" 72 Mt.
 72 Mt. "ALBATROS" ALUMINIUM SPRAYING BOOM
RAMPE ASPERSEUSE "ALBATROS" 72 Mt.
 ALA REGADORAS "ALBATROS" 72 Mt.

Esploso

ALA ALLUMINIO ALBATROS 72M

Note

POS. Pos. Pos. Pos.	PAG. Page Seite Pagina	DENOMINAZIONE Appellation Denomination Bezeichnung Denombrocion	U.M.	N.PEZZI N.Pieces N.Teile N.Plez	CODICE Code Code Kode Codigo	NOTE Annotation Note Aufzeichnung Nota
1	61	HINGE PIN	n	2,00	070019Z	
2	61	72M BOOM PIN	n	6,00	070122	
3	61	CASTING FIRST HINGE 72M BOOM	n	4,00	070010	
4	61	FIRST STUMP ALUMIN.Boom	n	2,00	070064	
5	61	CABLE-GUIDE ROLLER	n	2,00	070072	
6	61	CASTING SECOND HINGE 72M BOOM	n	4,00	0700111	
7	61	AIR SPRING COUPLING FOR 1-2 ARM	n	2,00	070028Z	
8	61	SPRING T 28.14.700.100 C4RF	n	4,00	070110	
9	61	AIR SPRING CONNECTION FOR 1-2 ARM	n	2,00	070029Z	
10	61	LOCKING HANDLE FOR 72M BOOM	n	22,00	071074	
11	61	SEAL D.80 INSIDE	n	8,00	070114	
12	61	CASTING SECOND HINGE 72M BOOM	n	4,00	0700112	
13	61	SECOND STUMP ALUMIN. BOOM	n	2,00	070065	
14	61	CABLE-GUIDE ROLLER (KIT)	n	4,00	070071	
15	61	SAFETY HOOK FOR 1-2 ARM	n	2,00	070027Z	
16	61	ROPE 49 THREADS D.5 5,8M	n	2,00	070125	
17	61	GALV.PIN M/8 (5/16")	n	28,00	0100110	
18	61	GALVANISED TIE	n	8,00	070126	
19	61	CHAIN (N.4 18 ANEL.+N.10 13	m	4,00	070127	
20	61	GALV.PIN M/6 (1/4")	n	12,00	0100107	
21	61	CASTING THIRD HINGE 72M BOOM	n	4,00	0700121	
22	61	WHEEL 4.00/80-8 4PR AXLE D.20	n	10,00	070111	
23	61	WHEEL BUSH 72M BOOM	n	20,00	070035	
24	61	SERIES WHEEL PIVOTS FOR 72M B.	n	2,00	070024	
25	61	CASTING THIRD HINGE 72M BOOM	n	4,00	0700122	
26	61	THIRD STUMP ALUMIN. BOOM	n	2,00	070066	
27	61	CASTING FOURTH HINGE 72M BOOM	n	4,00	0700131	

CONTINUA

Note

Esploso

ALA ALLUMINIO ALBATROS 72M

Note

POS. Pos. Pos. Pos.	PAG. Page Seite Pagina	DENOMINAZIONE Appellation Denomination Bezeichnung Denombrocion	U.M.	N.PEZZI N.Pieces N.Pieces N.Teile N.Plez	CODICE Code Code Code Codigo	NOTE Annotation Note Aufzeichnung Nota
28	61	AIR SPRING CONNECTION FOR 3-4 ARM	n	2,00	070031Z	
29	61	GUARNIZIONE D.70 INT. FILO D10	n	8,00	070142	
30	61	ATTACCO MOLLA AD ARIA 3° - 4° TRONC.	n	2,00	070030Z	
31	61	CASTING FOURTH HINGE 72M BOOM	n	4,00	0700132	
32	61	ROPE 49 THREADS D.5 13,2M	n	2,00	070128	
33	61	FOURTH STUMP ALUMIN. BOOM	n	2,00	070067	
34	61	CASTING FIFTH HINGE 72M BOOM	n	4,00	0700142	
35	61	APPOGGIO 6° TRONCONE	n	2,00	070009Z	
36	61	ELAST.ROPE FOR HOOKS A2000200	m	7,60	070123	
37	61	STEEL HOOKS D.8	n	18,00	070124	
38	61	FUSIONE 5 CERNIERA ALA 72M	n	4,00	0700141	
39	61	FIFTH STUMP ALUMIN. BOOM	n	1,00	070068	
39	61	5 ARM 72M BOOM LEFT	n	1,00	070059	
40	61	CONNECTION FOR WINCH CABLE	n	2,00	070026Z	
41	61	SOFT CABLEO D.5 GALV.27,35M	n	2,00	070131	
42	61	CASTING SIXTH LEFT HINGE	n	1,00	070057	
42	61	CASTING SIXTH 1/2 RIGHT HINGE	n	1,00	070015	
43	61	SEAL D.60 INSIDE	n	8,00	070113	
44	61	ROPE 49 THREADS D.5 18,1M	n	2,00	070129	
45	61	CASTING SIXTH LEFT HINGE	n	1,00	070058	
45	61	CASTING SIXTH 1/2 RIGHT HINGE	n	1,00	070016	
46	61	6 ARM 72M BOOM LEFT	n	1,00	070060	
46	61	SIXTH STUMP ALUMIN. BOOM	n	1,00	070069	
47	61	RG8 SUPPORT	n	110,00	070101	
48	61	ROPE 49 THREADS D.5 25,65M	n	2,00	070130	
49	61	CHAIN N.20 THREAD D.4,5	m	0,60	070108	
50	61	CASTING SEVENTH HINGE 72M BOOM	n	1,00	0700172	DX-SX

CONTINUA

Note

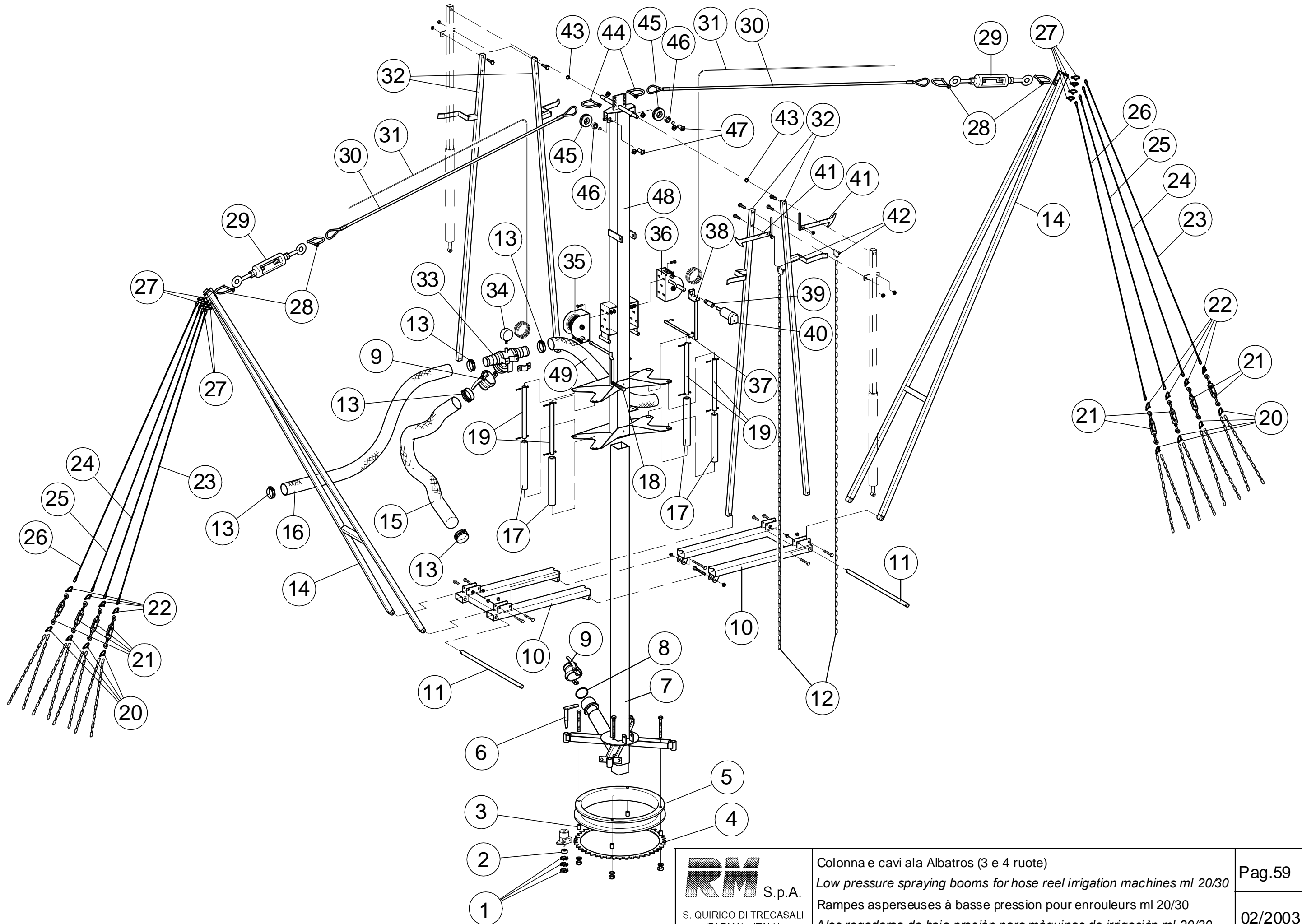
Esploso

ALA ALLUMINIO ALBATROS 72M

Note

POS. Pos. Pos. Pos.	PAG. Page Seite Pagina	DENOMINAZIONE Appellation Denomination Bezeichnung Denombrocion	U.M.	N.PEZZI N.Pieces N.Pieces N.Teile N.Plez	CODICE Code Code Kode Codigo	NOTE Annotation Note Aufzeichnung Nota
51	61	CASTING SEVENTH HINGE 72M BOOM	n	2,00	0700171	
52	61	SEVENTH STUMP ALUMIN. BOOM	n	2,00	070070	
53	61	3/4-3/4 WATER JOINT	n	2,00	070116	
54	61	T GALV. JOINT F 3/4-3/4-1/2	n	2,00	070109	
55	61	MALE SWIFT 1"	n	2,00	2000103	OP
56	61	SWIFT M 3/4" QUICK JOINT	n	2,00	070107	OP
57	61	BRASS FINAL NOZZLE	n	2,00	0100009	
58	61	SIME IBIS SECTOR GUN	n	2,00	070112	OP
59	61	PIN COOP 03 AMA	n	20,00	COOP03AMA	
60	61	OPPURE				
60	61	RED RG4 NOZZLE	n	55,00	070105	
60	61	OPPURE				
60	61	BLACK RG4 NOZZLE	n	55,00	070106	
60	61	OPPURE				
60	61	JELLOW RG4 NOZZLE	n	55,00	070104	
60	61	GREEN RG4 NOZZLE	n	55,00	070103	
60	61	OPPURE				
61	61	RG4 PLUG	n	55,00	070102	

Note




RM S.p.A.
 S. QUIRICO DI TRECASALI
 (PARMA) - ITALIA

Colonna e cavi ala Albatros (3 e 4 ruote)
 Low pressure spraying booms for hose reel irrigation machines ml 20/30
 Rampes asperseuses à basse pression pour enrouleurs ml 20/30
 Alas regadoras de baja presión para máquinas de irrigación ml 20/30

Esploso

COLONNA E CAVI ALA ALLUMINIO ALBATROS 72M

Note

POS. Pos. Pos. Pos.	PAG. Page Seite Pagina	DENOMINAZIONE Appellation Denomination Bezeichnung Denombrocion	U.M.	N.PEZZI N.Pieces N.Pieces N.Teile N.Plez	CODICE Code Code Code Codigo	NOTE Annotation Note Aufzeichnung Nota
1	59	Z8 M7 PINION	n	3,00	060044Z	OP
2	59	SPACER BETWEEN PINION AND ENGINE	n	1,00	060047Z	OP
3	59	GEAR SPACER	n	4,00	060046Z	OP
4	59	Z116 M7 GEAR	n	1,00	060045Z	OP
5	59	TURNTABLE U01 N070	n	1,00	5500107	
6	59	TURNTABLE LOCKING PIN	n	1,00	070051Z	
7	59	GALVANISED COLUMN	n	1,00	070003Z	
8	59	GUARNIZIONE FERRARI Ø 100	n	6,00		
9	59	D. 100 F.F. HOSE TAIL	n	6,00	070037Z	
10	59	HINGE CHASSIS	n	2,00	070005Z	
11	59	HINGE PIN	n	2,00	070019Z	
12	59	CHAIN N.16 D. 2.8X16	m	5,00	070143	ml.2,5+2,5
13	59	CLAMP GOLD 95-105	n	6,00	5900102	
14	59	SHORE	n	2,00	070004Z	
15	59	FLAT PIPE TECHFLEX BLACK 102MM	m	5,10	5810102	
16	59	FLAT PIPE TECHFLEX D.80MM	m	2,50	5700114	
17	59	NYLON BALANCE ROLLER	n	4,00	070034	
18	59	WINCH HANDLE	n	1,00	070073	
19	59	ROLLER PIN	n	4,00	070020Z	
20	59	GALV.PIN M/8 (5/16")	n	8,00	0100110	
21	59	GALVANISED TIE	n	8,00	070126	
22	59	GALV.PIN M/8 (5/16")	n	8,00	0100110	
23	59	ROPE 49 THREADS D.5 5,8M	n	2,00	070125	
24	59	ROPE 49 THREADS D.5 13,2M	n	2,00	070128	
25	59	ROPE 49 THREADS D.5 18,1M	n	2,00	070129	
26	59	ROPE 49 THREADS D.5 25,65M	n	2,00	070130	
27	59	GALV.PIN M/8 (5/16")	n	8,00	0100110	

CONTINUA

Note

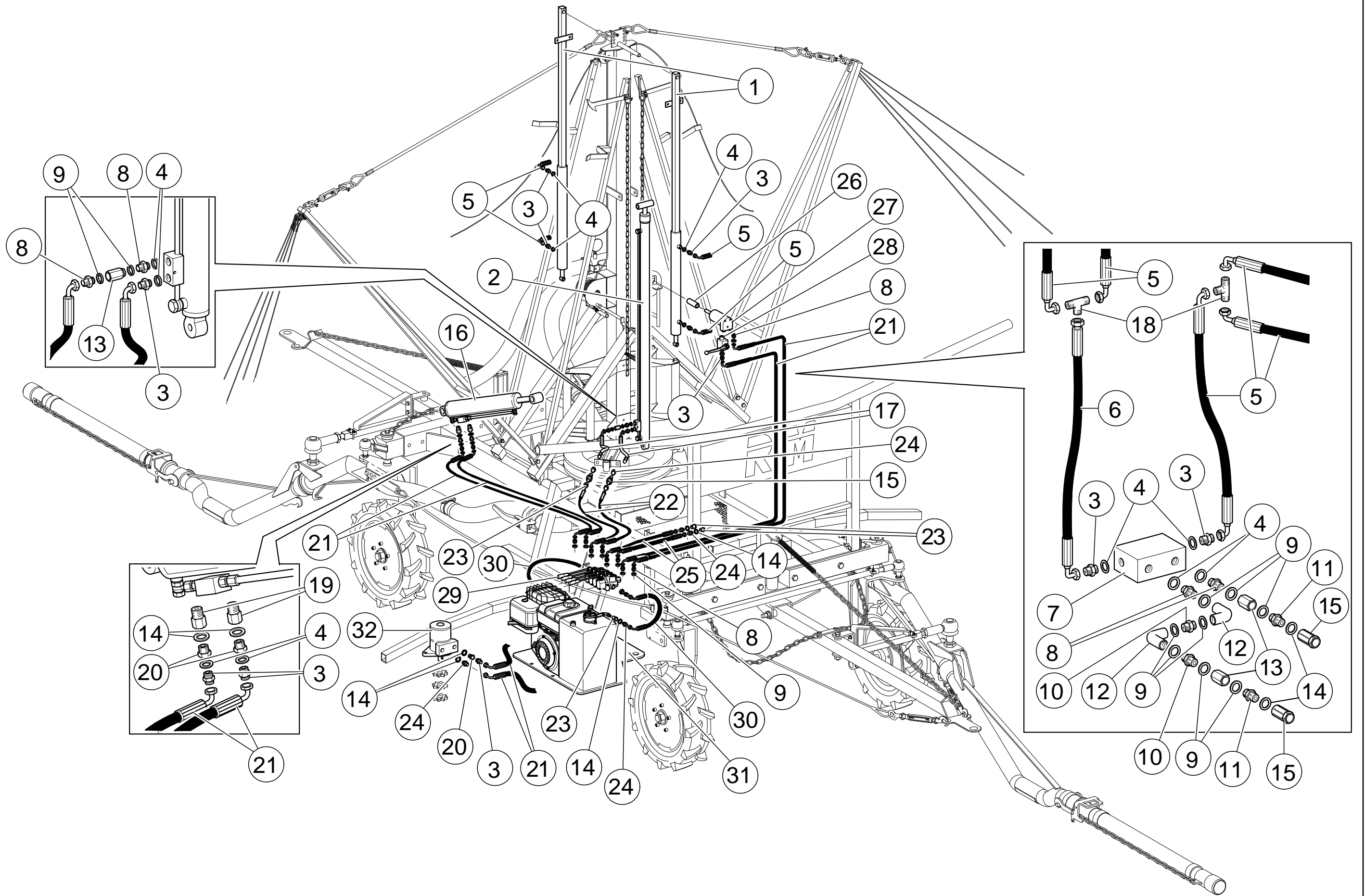
Esploso

COLONNA E CAVI ALA ALLUMINIO ALBATROS 72M

Note

POS. Pos. Pos. Pos.	PAG. Page Seite Pagina	DENOMINAZIONE Appellation Denomination Bezeichnung Denombrocion	U.M.	N.PEZZI N.Pieces N.Pieces N.Teile N.Plez	CODICE Code Code Kode Codigo	NOTE Annotation Note Aufzeichnung Nota
28	59	PIN 1/2 (M14)	n	4,00	070133	
29	59	TIE 0.0 M 18-11/16	n	2,00	070137	
30	59	SOFT CABLE D.10 GALV.3,43M	n	2,00	070132	
31	59	SOFT CABLEO D.5 GALV.27,35M	n	2,00	070131	
32	59	GALVANISED ARM LEFT/RIGHT	n	4,00	070006Z	2+2
33	59	UPPER WATER COUPLING	n	1,00	070018Z	
34	59	MANOMETER G.1/4"	n	1,00	5800115	
35	59	MANUAL WINCH 12 N2	n	1,00	070121	
36	59	MANUAL WINCH 12 N2	n	1,00	070121	
37	59	STOP FOR WINCH ENGINE	n	1,00	070021Z	
38	59	D.100 HOSE TAIL	n	1,00	070036Z	
39	59	72M BOOM PIN	n	2,00	070122	
40	59	CLAMP GOLD 79-86	n	4,00	5700103	
41	59	SAFETY HOOK FOR FIRST ARM	n	2,00	070023Z	
42	59	GALV.PIN M/6 (1/4")	n	2,00	0100107	
43	59	72M BOOM PIN	n	2,00	070122	
44	59	PIN 1/2 (M14)	n	2,00	070133	
45	59	CLOSING PULLEY FOR 72M BOOM	n	2,00	070033	
46	59	BEARING 6205 2 RS	n	2,00	5800215	
47	59	PULLEY PIN	n	2,00	070025Z	
48	59	DEMOUNTABLE SUPPORT	n	1,00	070002Z	
49	59	FLAT PIPE TECHFLEX D.80MM	m	2,50	5700114	
50	59	SEEGER I 52	n	2,00	8900121	
51	59	THREATED HOSE TAIL D.89 L=75	n	1,00	MANFIL89	
52	59	PLATE FOR SUPPL. ENGINE	n	1,00	9900033Z	

Note



 S.p.A.
 S. QUIRICO DI TRECASALI
 (PARMA) - ITALIA

IMPIANTO IDRAULICO "ALBATROS" SU CARRELLO A 4 RUOTE
 "ALBATROS" HYDRAULIC SYSTEM ON 4 WHEEL IRRIGATION MACHINE
INSTALLATION HYDRAULIQUE "ALBATROS" SUR ENROULEUR A 4 ROUES
 INSTALACIÓN HIDRAULICA "ALBATROS" EN MAQUINA DE IRRIGACIÓN A 4 RUEDAS

Pag.60
 05/2007

Esploso

IMPIANTO IDRAULICO "ALBATROS" SU CARRELLO A 4 RUOTE

Note

POS. Pos. Pos. Pos.	PAG. Page Seite Pagina	DENOMINAZIONE Appellation Denomination Bezeichnung Denombrocion	U.M.	N.PEZZI N.Pieces N.Pieces N.Teile N.Plez	CODICE Code Code Kode Codigo	NOTE Annotation Note Aufzeichnung Nota
1	60	SELF-ASSEMBLY CYLINDER	n	2,00	070007	
2	60	LIFTING CYLINDER	n	1,00	070039	
3	60	JOINT 1/4" - 1/4"	n	11,00	5800129	
4	60	1/4" WASHER	n	10,00	7000330	
5	60	PIPE R1 1/4 F90+RIGHT F L=650	n	5,00	070118	
6	60	PIPE R1 1/4 F90+RIGHT FL=1100	n	1,00	070119	
7	60	1/4" LOCKING VALVE	n	1,00	070115	
8	60	3/8" - 1/4" CONNECTION	n	15,00	7000307	
9	60	3/8" WASHER	n	20,00	7000331	
10	60	CONNECTION 3/8" - 3/8"	n	2,00	8900108	
11	60	CONNECTION 3/8" - 1/2"	n	2,00	8900109	
12	60	FIX ELBOW F-F 3/8" OILDIN.	n	2,00	070147	
13	60	ADJUSTING VALVE 3/8"	n	3,00	070146	
14	60	1/2" WASHER	n	12,00	7000332	
15	60	QUICK JOINT FEMALE 1/2" F	n	4,00	9900104	
16	60	BOOM CAPZISING CYLINDER	n	1,00	060028	mod.4 ruote
16	60	HYDR. CYLINDER FOR 72M BOOM OVERTURNING	n	1,00	070078	mod.3 ruote
17	60	PIPE R1 1/4 F90+F.DIRIT. L=420	n	2,00	070117	
18	60	T JOINT 1/4 M+M+M	n	2,00	6000111	
19	60	REDUCTION 1/2"F-3/8"M	n	2,00	070153	
20	60	CONSTRICTION FOR VALVE	n	3,00	5500042	
21	60	HYDR.PIPE R1 1/4" F 90+90 L=3000	n	6,00	070148	
22	60	HYDR. PIPE R1 1/4" RIGHT+90 L=1800	n	2,00	070150	
23	60	QUICK CONNECT. 1/2"G TYPE FIAT	n	6,00	7000309	
24	60	1/4"- 1/2" CONNECTION	n	7,00	7000308	
25	60	HYDR. PIPE R1 1/4" F 90+90 L=3800	n	2,00	070154	
26	60	WINCH ENGINE BUSH 72M BOOM	n	1,00	070032	

CONTINUA

Note

RM SPA
 Via Provinciale per Cremona 41 - Fraz. San Quirico
 43010 Trecasali (PR)
 Tel 0521 872221 - Fax 0521 874027
 Cod. Fisc e Part.IVA 00153210349

Controllo Esploso **10/0000046**
 Data Creazione **16/12/2010**
 Data Ult. Modifica **28/11/2011 Ora 12:36**

Stampa del 28/11/2011

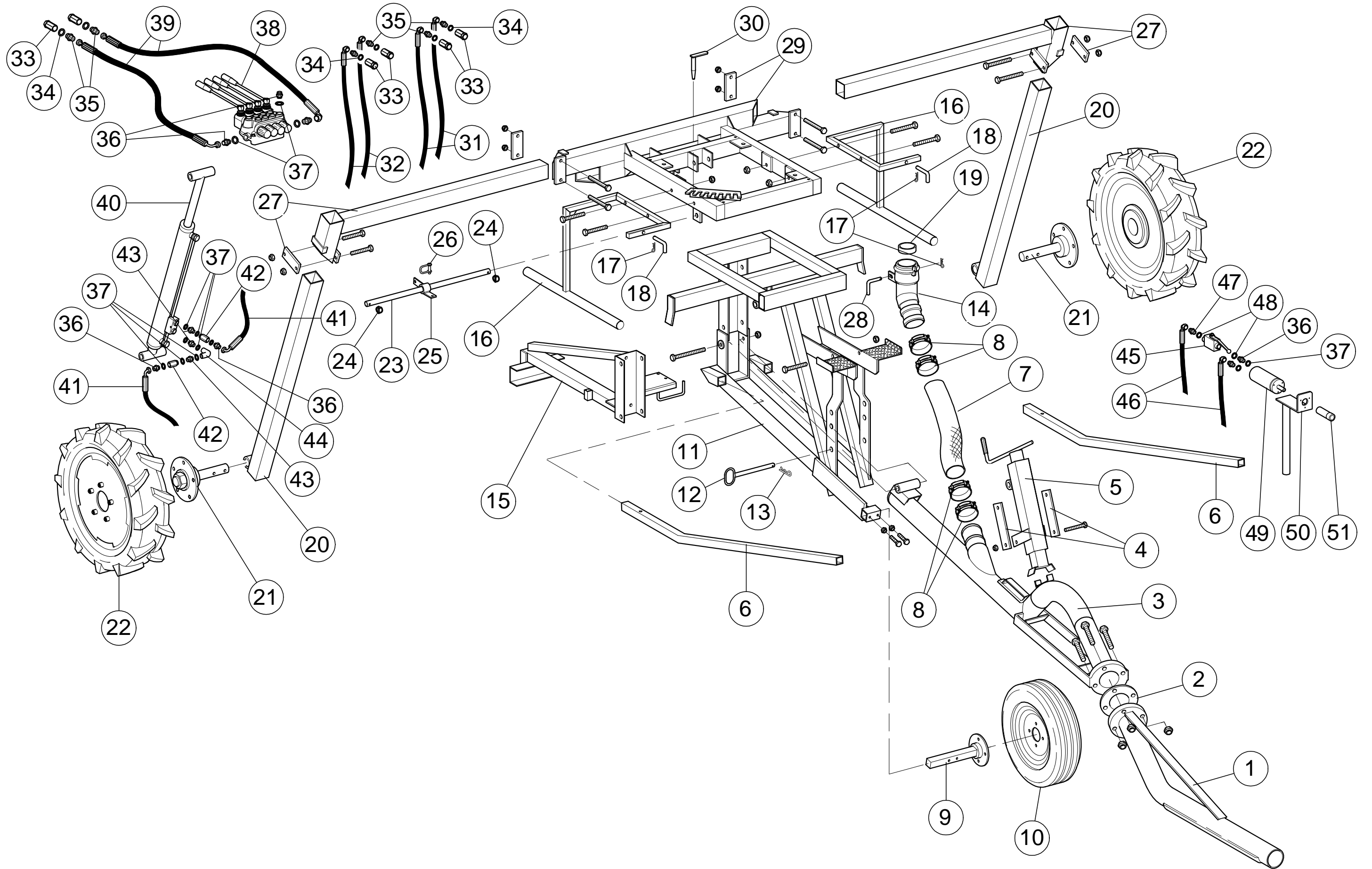
Esploso

IMPIANTO IDRAULICO "ALBATROS" SU CARRELLO A 4 RUOTE

Note

POS. Pos. Pos. Pos.	PAG. Page Seite Pagina	DENOMINAZIONE Appellation Denomination Bezeichnung Denombrocion	U.M.	N.PEZZI N.Pièces N.Pieces N.Teile N.Plez	CODICE Code Code Kode Codigo	NOTE Annotation Note Aufzeichnung Nota
27	60	SUPP. ORBITAL ENGINE FOR COLUMN	n	1,00	070022	
28	60	BALL VALVE M+F 1/4"	n	1,00	070120	
29	60	4-LEV. MD/4 A1X4 DISTRIBUTOR	n	1,00	7000303	
29	60	5-LEV. MD5 A1X5 DISTRIBUTOR	n	1,00	7000304	OP
30	60	PIPE 1/4" R1T L=10000	n	2,00	7000312	
31	60	KIT WITH BRIGGS & STRATTON ENGINE	n	1,00	A10040	OP - V.PAG.44
32	60	GEOLINK GFL 300 HYDRAUL. ENGINE	n	1,00	7000401	OP

Note



Esploso A10807
CARRELLO A 3 RUOTE PER ALBATROS 72 MT.

Note

POS. Pos. Pos. Pos.	PAG. Page Seite Pagina	DENOMINAZIONE Appellation Denomination Bezeichnung Denombrocion	U.M.	N.PEZZI N.Pieces N.Pieces N.Teile N.Plez	CODICE Code Code Kode Codigo	NOTE Annotation Note Aufzeichnung Nota
1	62	SPECIAL FINAL PIPE FOR STANDARD TROLLEY	n	1,00	9900037Z	
2	62	SEAL FOR DN 80 FLANGE	n	1,00	070082	
3	62	3-WHEEL TROLLEY TAIL	n	1,00	070042	
3	62	TROLLEY TAIL	n	1,00	071042Z	**
4	62	CONNECTING ROD	n	2,00	070055Z	
5	62	ADJUSTABLE SUPPORT	n	1,00	070056	
6	62	EXTENTION FOR BOOM SUPPORT	n	2,00	070048Z	
7	62	FLAT PIPE TECHFLEX BLACK 102MM	m	0,80	5810102	
8	62	CLAMP GOLD 95-105	n	4,00	5900102	
9	62	WHEEL AXLE BALILLA 35Z35X200	n	2,00	5800103	**
9	62	WHEEL AXLE BALILLA 35Z35X200	n	1,00	5800103	
10	62	WHEEL 125 D70 15	n	2,00	5800104	**
10	62	WHEEL 16X6.5-8 4PR CERC.4 HOLE	n	1,00	070136	
11	62	TROLLEY BODY 3 WHEELS 72M BOOM	n	1,00	070040	
11	62	TROLLEY BODY	n	1,00	071040Z	**
12	62	TAIL LOCKING PIN	n	1,00	070053Z	
13	62	PIN COOP 05 AMA	n	1,00	COOP05AMA	
14	62	WATER COUPLING	n	1,00	070049Z	
15	62	TOWING DRAWBAR	n	1,00	070044Z	
16	62	BOOM SUPPORT LEFT/RIGHT	n	2,00	070047Z	
17	62	PIN COOP 03 AMA	n	3,00	COOP03AMA	
18	62	PIN FOR TROLLEY ADJUSTING D.14	n	2,00	5800042Z	
19	62	GUARNIZIONE Ø 100 BICCHIERE	n	1,00		
20	62	TROLLEY LEG	n	2,00	070045Z	
21	62	WHEEL AXLE D.40 L=235	n	2,00	070135	
22	62	WHEEL "MONTANA" 7.50/16 8PR TM	n	2,00	070134	
23	62	OVERTURNING PIN	n	1,00	070052Z	

CONTINUA

Note

Esploso A10807
CARRELLO A 3 RUOTE PER ALBATROS 72 MT.

Note

POS. Pos. Pos. Pos.	PAG. Page Seite Pagina	DENOMINAZIONE Appellation Denomination Bezeichnung Denombrocion	U.M.	N.PEZZI N.Pieces N.Pieces N.Teile N.Plez	CODICE Code Code Kode Codigo	NOTE Annotation Note Aufzeichnung Nota
24	62	72M BOOM PIN	n	2,00	070122	
25	62	CONNECTION FOR WATER COUPLING	n	1,00	070050Z	
26	62	GALV.PIN M/8 (5/16")	n	1,00	0100110	
27	62	TROLLEY LEG FOR ALBATROS BOOM	n	2,00	070043Z	
28	62	PIN FOR OVERTURNING LOCK	n	2,00	070054Z	
29	62	BASE FOR ALBATROS BOOM	n	1,00	070041Z	
30	62	TURNTABLE LOCKING PIN	n	1,00	070051Z	
31	62	HYDR. PIPE R1 1/4" 90+90 L=2600	n	2,00	070151	
32	62	HYDR. PIPE R1 1/4" RIGHT+90 L=1800	n	2,00	070150	
33	62	QUICK CONNECT. 1/2"G TYPE FIAT	n	6,00	7000309	
34	62	1/2" WASHER	n	6,00	7000332	
35	62	1/4"- 1/2" CONNECTION	n	6,00	7000308	
36	62	3/8" - 1/4" CONNECTION	n	14,00	7000307	
37	62	3/8" WASHER	n	20,00	7000331	
38	62	4-LEV. MD/4 A1X4 DISTRIBUTOR	n	1,00	7000303	
39	62	PIPE 1/4" R1T L=10000	n	2,00	7000312	
40	62	HYDR. CYLINDER FOR 72M BOOM OVERTURNING	n	1,00	070078	
41	62	HYDR. PIPE R1 1/4" F 90+90 L=1100	n	2,00	070149	
42	62	ADJUSTING VALVE 3/8"	n	2,00	070146	
43	62	CONNECTION 3/8" - 3/8"	n	3,00	8900108	
44	62	FIX ELBOW F-F 3/8" OILDIN.	n	1,00	070147	
45	62	BALL VALVE M+F 1/4"	n	1,00	070120	
46	62	HYDR.PIPE R1 1/4" F 90+90 L=3000	n	2,00	070148	
47	62	JOINT 1/4" - 1/4"	n	1,00	5800129	
48	62	1/4" WASHER	n	2,00	7000330	
49	62	ORBITAL ENGINE GDS-32 C1R20	n	1,00	070140	
50	62	SUPPORT FOR ORBITAL ENGINE	n	1,00	070022Z	

CONTINUA

Note

RM SPA
Via Provinciale per Cremona 41 - Fraz. San Quirico
43010 Trecasali (PR)
Tel 0521 872221 - Fax 0521 874027
Cod. Fisc e Part.IVA 00153210349

Controllo Esploso **10/0000048**
Data Creazione **16/12/2010**
Data Ult. Modifica **28/11/2011 Ora 12:44**

Stampa del 28/11/2011

Esploso A10807
CARRELLO A 3 RUOTE PER ALBATROS 72 MT.

Note

POS. Pos. Pos. Pos.	PAG. Page Page Seite Pagina	DENOMINAZIONE Appellation Denomination Bezeichnung Denombrocion	U.M.	N.PEZZI N.Pieces N.Pieces N.Teile N.Plez	CODICE Code Code Kode Codigo	NOTE Annotation Note Aufzeichnung Nota	
51	62	WINCH ENGINE BUSH 72M BOOM	n	1,00	070032		
AA	62						
AA	62	**PARTICOLARI VALIDI PER MOD.2007 E SUCCESSIVI					

Note