

RM S.p.A.
 S. QUIRICO DI TRECASALI
 (PARMA)-ITALIA

IRRIGATORE SEMOVENTE MOD. 990 GX
SELF-PROPELLED SPRINKLER MODEL 990 GX
IRRIGATEUR AUTOMOTEUR MODÈLE 990 GX
SELBSTFAHRENDE BEWÄSSERUNGSPPARAT MOD. 990 GX
ZELFRIJDANDE SPROEIER TYPE 990 GX

Esploso I0992EGXA
MACCHINA IRRIGATRICE SUPER RAIN 990 GX EXPORT VERS.2009

Note

POS. Pos. Pos. Pos.	PAG. Page Seite Pagina	DENOMINAZIONE Appellation Denomination Bezeichnung Denombrocion	U.M.	N.PEZZI N.Pieces N.Teile N.Plez	CODICE Code Code Kode Codigo	NOTE Annotation Note Aufzeichnung Nota
1	12	PLUG M.BAUER D.133 ART.307 ZN	n	1,00	8000122	OP
1	12	108 BAUER M GALV.PLUG	n	1,00	8900112	
2	12	BAUER 108 SEAL	n	2,00	5801142	
2	12	BAUER 133 SEAL	n	2,00	8001112	OP
3	12	DOUBLE WATER INLET PIPE	n	1,00	8900046Z	
3	12	MAIN PIPE	n	1,00	8900018	OP
4	12	MALE BAUER 133 JOINT	n	2,00	8001102	OP
4	12	BAUER 108 MALE JOINT	n	2,00	5801138	
5	12	CLAMP 120 P	n	4,00	8000103	OP
5	12	CLAMP 110	n	4,00	5800139	
6	12	HOSE ROMAGNA 15 102X116	m	4,50	5800113	
6	12	PIPE ROMAGNA 15 120X134	m	4,50	8000104	OP
7	12	DISK TONGUE 5X9	n	1,00	8900205	OP
8	12	SCREW TE M 8 X25	n	12,00	8900204	
9	12	TURBINE FLANGE	n	1,00	8900030	
10	12	OR 41050 (266.29 X 3.53)	n	1,00	5800204	
11	12	WASHER 8X14 1/16"	n	4,00	8900202	
12	12	SCREW TCEI M8X25 INOX	n	4,00	8900203	
13	12	SEAL BT PR/FN 20L VPGF-SX	n	1,00	8900201	
14	12	IMPELLER	n	1,00	5800023	
15	12	NUT M 16 X 1,5	n	1,00	8900206	
16	12	T3M TURBINE BODY WITH BY-PASS Ø 100	n	1,00	5802021	D.990122
16	12	TURBINE CASE MOD.900-MAJOR NOT EXISTING ANY MORE	n	1,00	5801021	F.990121
17	12	NOZZLE GUN PULSAR/RANGER	n	1,00	5800214	
18	12	RUBBER SEAL	n	1,00	5800025	
19	12	OR 108	n	2,00	5800213	
20	12	SELF-LOC.NUT M5	n	2,00	5800211	

CONTINUA

Note

Esploso I0992EGXA
MACCHINA IRRIGATRICE SUPER RAIN 990 GX EXPORT VERS.2009

Note

POS. Pos. Pos. Pos.	PAG. Page Seite Pagina	DENOMINAZIONE Appellation Denomination Bezeichnung Denombrocion	U.M.	N.PEZZI N.Pieces N.Pieces N.Teile N.Plez	CODICE Code Code Code Codigo	NOTE Annotation Note Aufzeichnung Nota
21	12	THROTTLE	n	1,00	5800028	F.990121
21	12	BUTTERFLY VALVE FOR BY-PASS Ø 100	n	1,00	5801028	D.990122
22	12	BY-PASS SHAFT Ø 100	n	1,00	5801027	D.990122
22	12	BY PASS SHAFT	n	1,00	5800027	F.990121
23	12	ELASTIC PIN D.5X25 INOX	n	1,00	5800212	
24	12	SCREW M 5X20 AISI 304	n	2,00	5800210	
25	12	BY-PASS LEVER	n	1,00	7000016Z	I8900040Z
26	12	FIXING FOR BY-PASS KNOB	n	1,00	5800030Z	
27	12	KNOB 60X20 FIL.10X25	n	1,00	5800102	
28	12	PTO PROTECTION	n	1,00	8900032	
29	12	MANOPOLA PIATTA ART.1011 / MANOPOLA PVC NERO MOD.1009	n	1,00	5800109/5800186	
30	12	TURBINE PROTECTION	n	1,00	8900031	
31	12	MANOMETER G.1/4"	n	1,00	5800115	
32	12	CLAMP GOLD 120-134	n	4,00	8000111	
33	12	PIPE ROMAGNA 15 120X134	m	1,20	8000104	
34	12	BY-PASS TIE	n	1,00	9400033Z	D.990139
34	12	790-890-990 BY-PASS BAR	n	1,00	7900013Z	D.99009-F.990138
34	12	BY-PASS DRIVING BAR	n	1,00	9900006	F.99008
35	12	FLANGE WITH DN100 PIPE	n	1,00	9900019Z	
36	12	PAPER SEAL FOR FLANGE DN 100	n	1,00	8000123	
37	12	TUBAZIONE ENTRATA+FLANGIA	n	1,00	9900018+9000004	f.990138
38	12	PLUG F 3" GALVAN.	n	1,00	8000121	
39	12	GREASER M6X1	n	1,00	5800175	
39	12	RIGHT M6 GREASER	n	3,00	5800112	
40	12	UM 130-160-15 SEAL	n	2,00	9000104	
41	12	SEEGER E 130	n	1,00	9000105	
42	12	BEARING 6226	n	1,00	9000103	

CONTINUA

Note

Esploso I0992EGXA
MACCHINA IRRIGATRICE SUPER RAIN 990 GX EXPORT VERS.2009

Note

POS. Pos. Pos. Pos.	PAG. Page Seite Pagina	DENOMINAZIONE Appellation Denomination Bezeichnung Denombrocion	U.M.	N.PEZZI N.Pieces N.Pieces N.Teile N.Plez	CODICE Code Code Code Codigo	NOTE Annotation Note Aufzeichnung Nota
43	12	BEARING 6226 SUPPORT	n	1,00	9000003	
44	12	SHAFT BUSH	n	1,00	9900020	
45	12	OR 2475 (2.48)	n	1,00	9900101	
46	12	900-990 DRUM	n	1,00	9904005	I.9400027-D.990165
46	12	DRUM FOR SERIES 990	n	1,00	9902005	D.990109-F.990164
46	12	DRUM SERIE 990	n	1,00	9900005	
46	12	990 DRUM V.2005	n	1,00	9901005	F.990108
47	12	1" 1/4 CHAIN TEETH	n	16,00	9000014	
48	12	CLAMPS GOLD 104-115	n	3,00	5800114	
48	12	CLAMP GOLD 95-105	n	3,00	5900102	
48	12	CLAMP GOLD 120-134	n	3,00	8000111	
48	12	CLAMP GOLD 115 130	n	3,00	8000120	
48	12	CLAMP GOLD 131-140	n	3,00	9000110	
49	12	IMBOCCATURA TUBO PE CON TRONCHETTO	n	1,00	5500033+TRONCHD11 4	Ø PE
50	12	TUBO POLIETILENE MD	n	1,00	TMD...	Ø PE
51	12	SECURITY CABLE WITH TIE	n	1,00	5500041	RIF.990
52	12	FIXING FOR BY-PASS TIE	n	1,00	5800058Z	
53	12	890-990 SPEED COMP.SPRING	n	1,00	8900048	
54	12	900-990 SPEED COMPENSATOR CHASSIS	n	1,00	9400017Z	D.990139
54	12	CHASSIS FOR SPEED COMPENSATION	n	1,00	9900012Z	F.990108
54	12	990 SPEED COMPENSATOR CHASSIS V.2007	n	1,00	9901012Z	D.990109-F.990138
55	12	990 DRUM CLOSING PANEL	n	2,00	99020054	D.990109-F.990164
55	12	GALV.SHEET SAFETY PROTECTION	n	12,00	9900045	OP
55	12	990 DRUM CLOSING PANEL	n	1,00	99040054	D.990164
55	12	DRUM PROTECTION FOR 990 GX	n	12,00	9900013	D.990139
55	12	990 DRUM CLOSING PANEL	n	2,00	99010054	F.990108
56	12	UCP 213 SUPPORT	n	1,00	9000106	

CONTINUA

Note

Esploso I0992EGXA
MACCHINA IRRIGATRICE SUPER RAIN 990 GX EXPORT VERS.2009

Note

POS. Pos. Pos. Pos.	PAG. Page Seite Pagina	DENOMINAZIONE Appellation Denomination Bezeichnung Denombrocion	U.M.	N.PEZZI N.Pieces N.Pieces N.Teile N.Plez	CODICE Code Code Code Codigo	NOTE Annotation Note Aufzeichnung Nota
57	12	SEEGER E 65	n	1,00	9000107	
58	12	PINION 1/2"S	n	2,00	5500037	Z....
59	12	HOSEGUIDE SUPPORT	n	1,00	5801006	
60	12	PAWL D.35	n	1,00	5800050	
61	12	SEEGER I 35	n	1,00	5800144	
62	12	RIGHT M6 GREASER	n	1,00	5800112	
63	12	ENDLESS SCREW 990 WITH PAUSE	n	1,00	9901003	D.99029
63	12	ENDLESS SCREW	n	1,00	9900003	F.99028
64	12	SUPPORT UCPA 206	n	2,00	6000104	
65	12	CHAIN JOIN.MESH 1/2" S	n	1,00	5800120	
66	12	CHAIN 1/2" S SEDIS	m	4,10	5800119	
67	12	CHAIN PROTECTION INNER SIDE	n	1,00	9000045	
68	12	900-MAJOR CHAIN PROTECTION	n	1,00	9000006	
69	12	SPRING FOR VALVE KIT	n	1,00	5500040	
70	12	TROLLEY LIFTING CHASSIS	n	1,00	9900027Z	
71	12	TIRANTE FISSAGGIO CORNA	n	8,00		
72	12	PIPE 1/4" R7 90' F L=1800 DRIT	n	2,00	8900110	
73	12	890-990 SPEED COMP.SPRING	n	1,00	8900048	
74	12	900-990 HOSEGUIDE V.2009	n	1,00	9400018Z	D.990139
74	12	990 HOSEGUIDE	n	1,00	9900014Z	F.990138
75	12	STOP FOR TURNTABLE LOCK.BAR	n	1,00	9900031	F.990108
76	12	COPPIGLIE Ø 4	n	4,00		
77	12	HOSEGUIDE ROLLER PIVOT	n	1,00	5900007	
78	12	RULLO NYLON + N. 2 CUSCINETTI	n	1,00	8000051+5800168	D.99009
78	12	PVC ROLLER FOR HOSEGUIDE	n	1,00	7000026	F.99008
79	12	JOINING GALV. PLATE	n	4,00	9900030Z	
80	12	DADO FISSAGGIO CORNA	n	16,00		

CONTINUA

Note

Esploso I0992EGXA
MACCHINA IRRIGATRICE SUPER RAIN 990 GX EXPORT VERS.2009

Note

POS. Pos. Pos. Pos.	PAG. Page Seite Pagina	DENOMINAZIONE Appellation Denomination Bezeichnung Denombrocion	U.M.	N.PEZZI N.Pieces N.Pieces N.Teile N.Plez	CODICE Code Code Kode Codigo	NOTE Annotation Note Aufzeichnung Nota
81	12	BOOM TROLL.LIFTING HORNS	n	1,00	9900028	
82	12	BOOM TROLL.LIFTING CYLINDER	n	2,00	9900029	
83	12	SEEGER E 20	n	4,00	7000114	
84	12	UPPER PIN D.20	n	2,00	9900010Z	
85	12	STAFFONE SX V.2009	n	1,00	9400010Z+9400009Z	D.990139
85	12	990 LEFT REAR LEG	n	1,00	9900007Z	F.990138
85	12	990 RIGHT REAR LEG	n	1,00	9900008Z	F.990139
85	12	STAFFONE DX V.2009	n	1,00	9400011Z+9400009Z	D.990139
86	12	OILDYNAMIC CYLINDER FOR REAR F	n	2,00	8900014	
87	12	3/8" - 1/4" CONNECTION	n	18,00	7000307	
88	12	3/8" WASHER	n	18,00	7000331	
89	12	PIPE 1/4" R7 C90+RIG.L=2600	n	4,00	7000311	
90	12	900-940 CHASSIS	n	1,00	9400002Z	D.990139
90	12	CHASSIS 990	n	1,00	9900001	F.990108
90	12	TELAIO SUPERIORE VERS.2007	n	1,00	9901001+8900062	D.990109-F.990138
91	12	GEARBOX HANDLE	n	1,00	5800041	
92	12	DENTE D'ARRESTO	n	1,00	7900012Z+7900011Z	F.990108
93	12	SPRING FOR VALVE KIT	n	1,00	5500040	
94	12	SUPPORT FOR BRAKE SHAFT	n	1,00	8900025Z	
95	12	BRAKE PIVOT WITH NUT	n	1,00	8900113	I0.735.7101.00
96	12	SHAFT FOR PINION	n	1,00	8900012Z	F.990138
96	12	BUSSOLA PORTA CUSCINETTO PER TENDICAT. CON VITI	n	1,00	9400036+VITI018	D.990139
97	12	GEAR Z 9 1"1/4 D.20	n	1,00	9900024	F.990138
97	12	PIGNONE Z10 1"1/4 S TENDICATENA + CUSCINETTO +	n	1,00	9000016+7000102	D.990139
97	12	+ BUSSOLA PORTA CUSCINETTO PER TENDICAT. +	n	1,00	9400036+7000121	D.990139
98	12	CHAIN TENSIONER 990	n	1,00	9900051Z	D.990109
98	12	TIE FOR CHAIN PINION	n	1,00	8900026Z	F.990108

CONTINUA

Note

Esploso I0992EGXA
MACCHINA IRRIGATRICE SUPER RAIN 990 GX EXPORT VERS.2009

Note

POS. Pos. Pos. Pos.	PAG. Page Seite Pagina	DENOMINAZIONE Appellation Denomination Bezeichnung Denombrocion	U.M.	N.PEZZI N.Pieces N.Pieces N.Teile N.Plez	CODICE Code Code Code Codigo	NOTE Annotation Note Aufzeichnung Nota
99	12	CHAIN PROTECTION	n	1,00	9400035Z	D.990139
99	12	CHAIN SAFETY PROTECTION	n	1,00	9900041	F.990108
99	12	CHAIN PROTECTION	n	1,00	9901041	D.990109-F.990138
100	12	TRESTLE CL 13 4" C2	n	1,00	8900106	
101	12	DOUBLE WATER INLET SUPPORT	n	1,00	8900019Z	D.99004
101	12	INLET PIPE	n	1,00	9900021Z	F.99003
102	12	5-LEV. MD5 A1X5 DISTRIBUTOR	n	1,00	7000304	OP
103	12	4-LEV. MD/4 A1X4 DISTRIBUTOR	n	1,00	7000303	
104	12	PIPE 1/4"R7 L.4650 F90+F90/360	n	2,00	6000103	
105	12	PIPE 3/8" R1 L=2000 3/8" F 90'	n	2,00	8900107	
106	12	QUICK CONNECT. 1/2"G TYPE FIAT	n	2,00	7000309	
107	12	CONNECTION 3/8" - 1/2"	n	2,00	8900109	
108	12	CONNECTION 3/8" - 3/8"	n	2,00	8900108	
109	12	3/8" - 1/4" CONNECTION	n	12,00	7000307	
110	12	PIPE 1/4"R7 L.4300 RACC.1/4"F.	n	2,00	6000106	
111	12	PIPE 1/4"R7 /2 RACC.1/4"F.90	n	2,00	7000306	
112	12	SUPPORTING JACK	n	1,00	9900017	
113	12	CONSTRUCTION FOR VALVE	n	1,00	5500042	
114	12	PLATE FOR SUPPL. ENGINE	n	1,00	9900033Z	
115	12	PINION Z13 M7 SP.10	n	3,00	7000403	D.99004
115	12	PINION FOR TURNTABLE ROTATION	n	1,00	5800402	F.99003
116	12	GEOLINK GFL 300 HYDRAUL.ENGINE	n	1,00	7000401	
117	12	LEVER FOR TURNTABLE LOCKING ON 990	n	1,00	9901022Z	D.990109
117	12	TURNTABLE LOCKING LEVER	n	1,00	9900022	F.990108
118	12	TURNTABLE WITH GEAR	n	1,00	9900004	
119	12	DRAWBAR PIN	n	2,00	7000032Z	
120	12	PIN COOP 05 AMA	n	2,00	COOP05AMA	

CONTINUA

Note

Esploso I0992EGXA
MACCHINA IRRIGATRICE SUPER RAIN 990 GX EXPORT VERS.2009

Note

POS. Pos. Pos. Pos.	PAG. Page Seite Pagina	DENOMINAZIONE Appellation Denomination Bezeichnung Denombrocion	U.M.	N.PEZZI N.Pieces N.Pieces N.Teile N.Plez	CODICE Code Code Code Codigo	NOTE Annotation Note Aufzeichnung Nota
121	12	DRAWBAR HOOK	n	1,00	8000019	D.99021
121	12	DRAGGING HOOK	n	1,00	9900036	F.99020
122	12	LOWER GALV. CHASSIS 990 GX	n	1,00	9900002Z	
123	12	T JOINT 1/4 M+M+M	n	4,00	6000111	
124	12	FIXING FOR HYDRAULIC PIPES	n	14,00	7000047Z	
125	12	TACHOMETER VDO (560-890-990)	n	1,00	TACHVDOSPRINT	V.PAG.22
126	12	1"1/4 PINION FIXING BUSH	n	1,00	9000032	
127	12	PINION Z 11 1 1/4 S F.35+CH	n	1,00	9900025	
128	12	SPACER FOR PINION 1"	n	1,00	7000073	
129	12	COMER D744 A 057 00 GEARBOX	n	1,00	8900101	V.PAG.21
130	12	COMER GEARBOX BRAKE	n	1,00	5800143	I2.744.7006.00
131	12	TAPPO OLIO RIDUTTORE	n	1,00		i8.6.7.00269
132	12	BAUER D.108 FEMALE WITH SEAL	n	1,00	5801136	GR
132	12	FEMALE BAUER D.133 W/SEAL	n	1,00	8001109	GR-OP
133	12	GO/STOP LEVER	n	1,00	8900029Z	
134	12	RELEASE CABLE WITH TIE	n	1,00	5500025	REF.990
135	12	CHAIN 1"1/4 S CONNECTION MESH	n	1,00	9000109	
136	12	BALANCE AXLE	n	2,00	9900032	
137	12	DADO MEDIO M33 + DADO BASSO M33	n	2,00	9900108+9900109	
138	12	SCREW T.E. M33X300 BLACK	n	2,00	9900107	
139	12	WHEEL 15.0/55-17 10PR TBL SU	n	4,00	8000124	OP
139	12	WHEEL 11.5/80-15.3 14 PR	n	4,00	8000105	
140	12	BALANCE FIRST VERSION	n	2,00	9900015	F.990003
140	12	RIGHT + LEFT BALANCE	n	2,00	9901015	D.990004
141	12	SCREW M18 X1,5X54 CL.10.9	n	24,00	5800151	
142	12	NUT M18X1,5 6S CH27X22 ZINC.	n	24,00	5800152	
143	12	STOP CHASSIS FOR 990	n	1,00	9900011Z	

CONTINUA

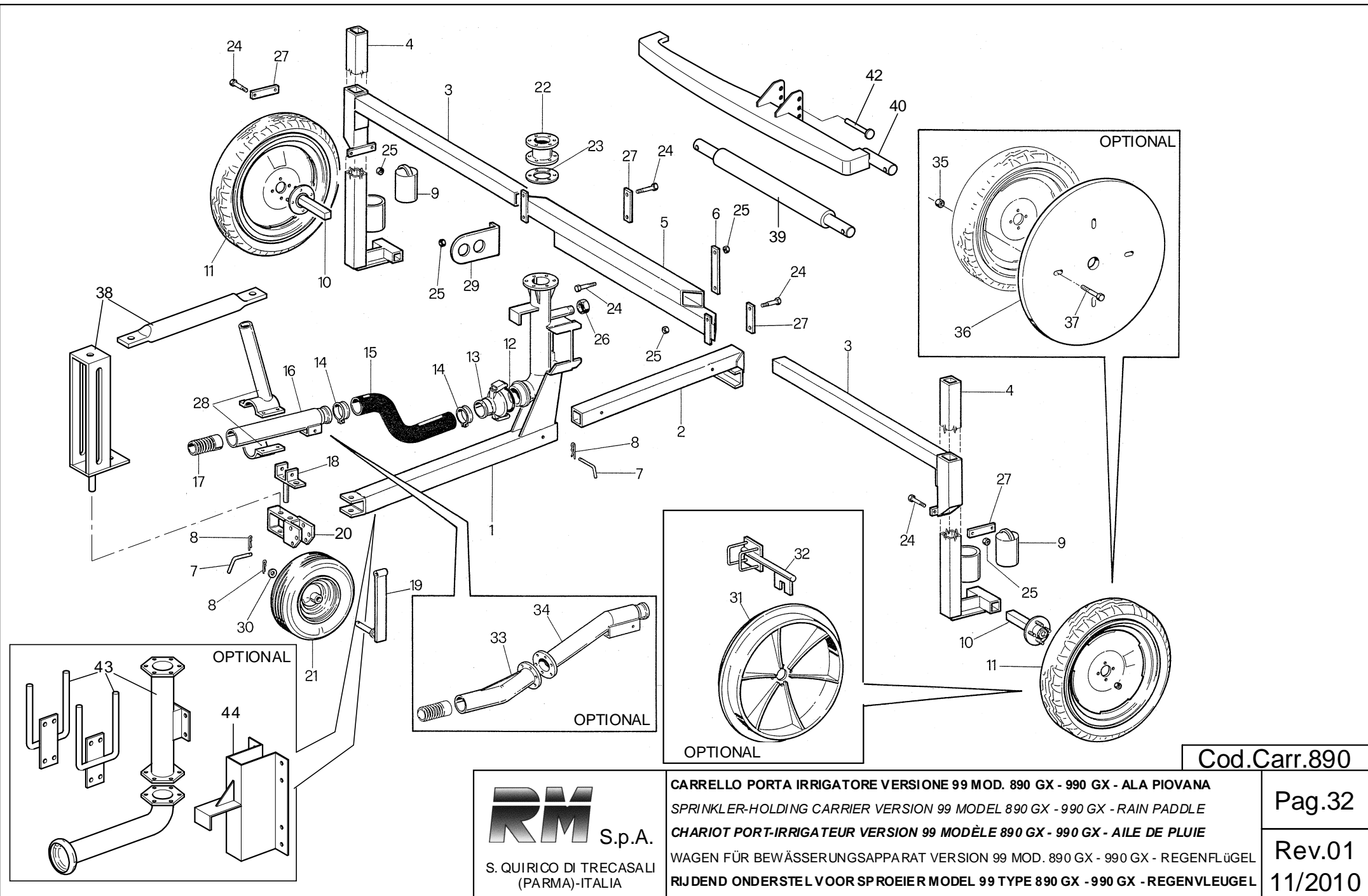
Note

Esploso I0992EGXA
MACCHINA IRRIGATRICE SUPER RAIN 990 GX EXPORT VERS.2009

Note

POS. Pos. Pos. Pos.	PAG. Page Seite Pagina	DENOMINAZIONE Appellation Denomination Bezeichnung Denombrocion	U.M.	N.PEZZI N.Pieces N.Pieces N.Teile N.Plez	CODICE Code Code Kode Codigo	NOTE Annotation Note Aufzeichnung Nota
144	12	PIPE 1/4" R7 90' F L=1800 DRIT	n	2,00	8900110	
145	12	HYDR. PIPE R7 1/4" 90°+90° L=7500	n	2,00	9000125	
146	12	CHAIN 1" 1/4 S. ARNOLD-STOLZE	m	9,65	9000108	F.990108
146	12	CHAIN 1" 1/4 S. ARNOLD-STOLZE	m	10,13	9000108	D.990109
147	12	TROLLEY LIFTING HORNS	n	1,00	9900040Z	
148	12	FLANGE FOR UM SEAL 900-990-MAJ	n	1,00	9000043	
149	12	OR 4675 FLANGE FOR UM SEAL 900	n	1,00	9000121	
150	12	INLET PIPE	n	1,00	9900021Z	
151	12	990 STOP TEETH	n	1,00	9901023Z	D.990109
152	12	TURBINE T3M WITH BY-PASS Ø 100	n	1,00	TUR580M2	V.PAG.14/1-D.990122
152	12	POS.7-8-9-10-11-12-13-14-15-16-17-18-19-20-21-22-23-24				
152	12	TURBINE T3M1	n	1,00	TUR580M1	V.PAG.14/1-F.990121

Note



Cod.Carr.890

RM S.p.A.
 S. QUIRICO DI TRECASALI
 (PARMA)-ITALIA

CARRELO PORTA IRRIGATORE VERSIONE 99 MOD. 890 GX - 990 GX - ALA PIOVANA
SPRINKLER-HOLDING CARRIER VERSION 99 MODEL 890 GX - 990 GX - RAIN PADDLE
CHARIOT PORT-IRRIGATEUR VERSION 99 MODÈLE 890 GX - 990 GX - AILE DE PLUIE
WAGEN FÜR BEWÄSSERUNGSAPPARAT VERSION 99 MOD. 890 GX - 990 GX - REGENFLÜGEL
RIJDEND ONDERSTEL VOOR SPROEIER MODEL 99 TYPE 890 GX - 990 GX - REGENVLEUGEL

Pag.32
 Rev.01
 11/2010

Esploso CARR890
CARRELLO 890-990 ALA ML.40

Note

POS. Pos. Pos. Pos.	PAG. Page Seite Pagina	DENOMINAZIONE Appellation Denomination Bezeichnung Denombrocion	U.M.	N.PEZZI N.Pieces N.Teile N.Plez	CODICE Code Code Kode Codigo	NOTE Annotation Note Aufzeichnung Nota
1	32	890-BOOM TROLLEY CENTRAL BODY	n	1,00	01400019Z	
2	32	DRAWBAR FOR 890-BOOM TROLLEY	n	1,00	014000110Z	
3	32	LEGS SUPPORT TROLLEY 890	n	2,00	01400015Z	
4	32	890 TROLLEY LEG	n	2,00	01400016Z	
5	32	CROSSIN GIPIPE FOR LEGS SUPPORT TROLLEY 890	n	1,00	01400014Z	
6	32	PLATE FOR CROSSING PIPE FIXING	n	2,00	01400011Z	
7	32	PIN FOR TROLLEY ADJUSTING D.14	n	3,00	5800042Z	
8	32	PIN COOP 03 AMA	n	2,00	COOP03AMA	
9	32	COUNTERBALANCE WEIGHT	kg	49,00	BILLETTE	ml.0,40 x 2
10	32	WHEEL AXLE BALILLA 35Z35X200	n	2,00	5800103	
11	32	WHEEL 125 D70 15	n	2,00	5800104	PN
12	32	GUARNIZIONE Ø 80 FERRRI	n	1,00		
13	32	D.80 FEMALE JOINT WITH HOSE TAIL	n	1,00	580201811Z	
14	32	CLAMP GOLD 86-95	n	2,00	5800137	
15	32	HOSE ROMAGNA 15 80X93	m	1,10	5500102	
16	32	TAIL FOR 581 TROLLEY	n	1,00	58020188Z	
17	32	PE HOSE ENTRANCE	n	1,00	5500033	GR-Ø PE
18	32	SHAFT FOR WHEELS ROTATION ON TROLLEY 581 GX	n	1,00	58020187Z	
19	32	SUPPORT FOR FRONT WHEEL ON TROLLEY 581 GX	n	1,00	58020183Z	
20	32	SUPPORT FOR WHEEL GROUP TROLLEY 581 GX	n	1,00	58020182Z	
21	32	TROLL.WHEEL16.650X8"RIGATA 4PR	n	1,00	5800149	
22	32	COUPLING FOR EXPLORER GUN	n	1,00	7000065Z	Ø 120-125-140
23	32	RUBBER UNIVERSAL SEAL	n	1,00	5800072	I.58000461
24	32	VITE FISSAGGIO SFILI+TRAVERSA	n	16,00		
25	32	DADO FISSAGGIO	n	16,00		
26	32	1" F PLUG	n	1,00	5800171	
27	32	PLATE FOR LEGS FIXING ON TROLLEY 890	n	6,00	014000113Z	

CONTINUA

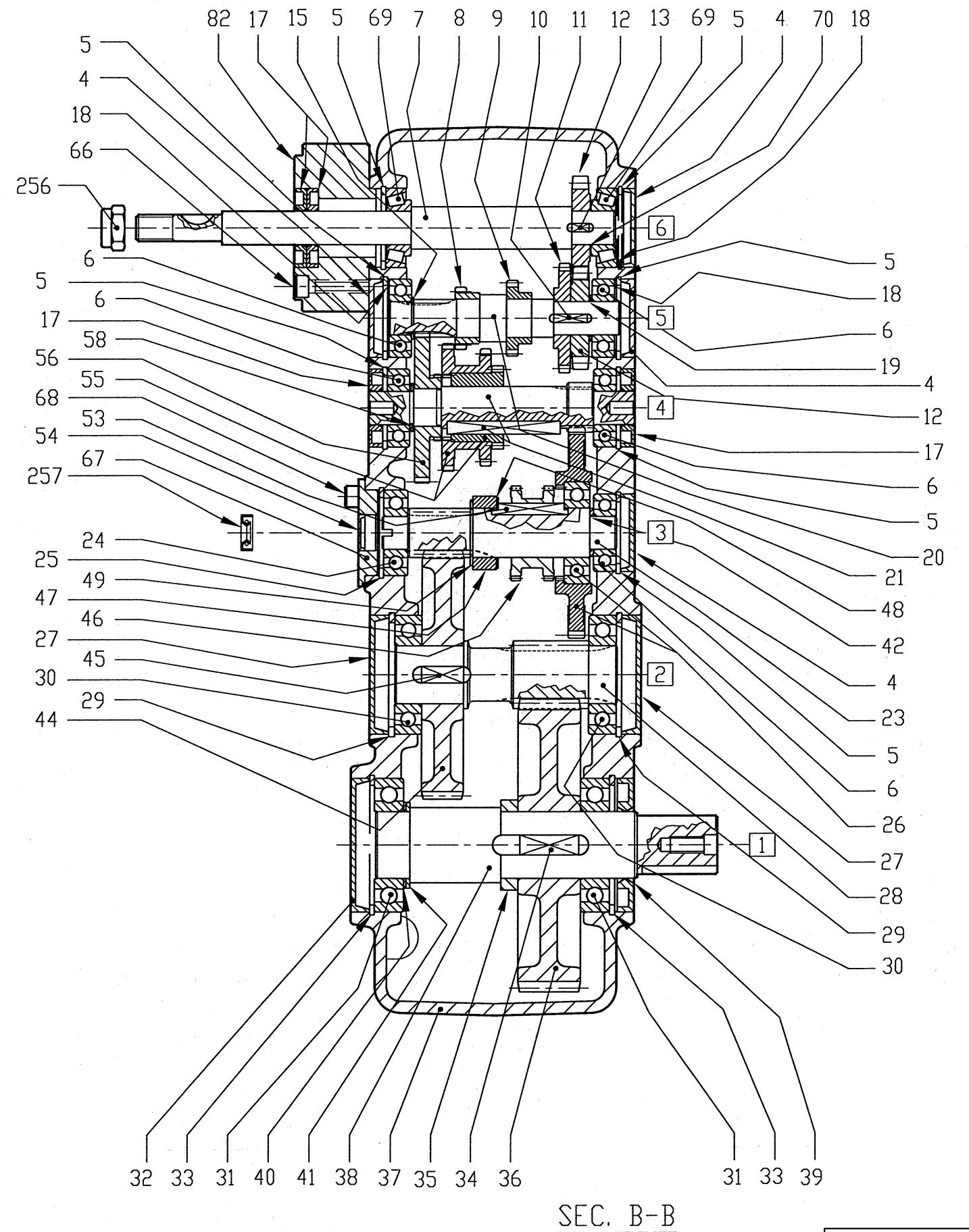
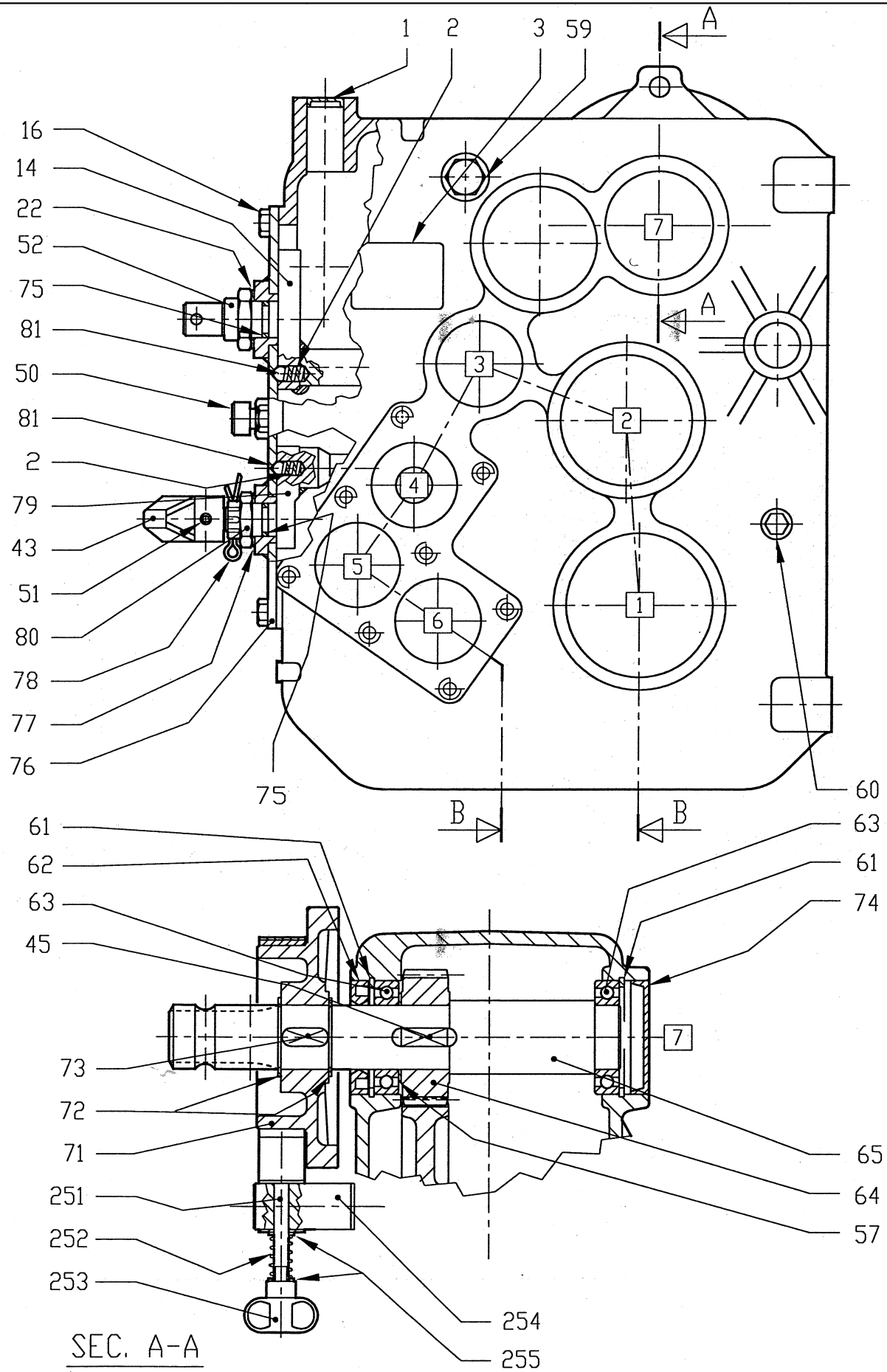
Note

Esploso CARR890
CARRELLO 890-990 ALA ML.40

Note

POS. Pos. Pos. Pos.	PAG. Page Seite Pagina	DENOMINAZIONE Appellation Denomination Bezeichnung Denombrocion	U.M.	N.PEZZI N.Pièces N.Pieces N.Teile N.Plez	CODICE Code Code Kode Codigo	NOTE Annotation Note Aufzeichnung Nota
28	32	FIXING PIPE ON TROLLEY 890	n	1,00	014000114Z	
29	32	CHAIN CONNECTING POINT FOR TROLLEY 890	n	2,00	014000112Z	
30	32	RONDELLA Ø 26				
31	32	CAST IRON WHEELS	n	2,00	5800604	OP
32	32	WHEELS-SCRAPERS FOR CAST IRON WHEELS	n	2,00	5800605Z	OP
33	32	SPECIAL FINAL PIPE FOR STANDARD TROLLEY	n	1,00	9900037Z	OP
34	32	TROLLEY ADAPTER	n	1,00	9900038Z	OP
35	32	DADO FISSAGGIO DISCHI	n	8,00		OP
36	32	TROLLEY WHEELS DISK	n	2,00	5800601	OP
37	32	VITE FISSAGGIO DISCHI	n	8,00		OP
38	32	TROLLEY GUIDE FOR 990	n	1,00	0140005Z	OP
39	32	TROLLEY DRAGGING	n	1,00	5800061	OP
40	32	BAR FOR ASYMMETRIC TROLLEY	n	1,00	0160001	OP
42	32	DRAWBAR PIN	n	1,00	7000032Z	OP
43	32	KIT ASYMMETRIC TROLLEY	n	1,00	0140004Z	OP
44	32	DISPOSITIVO SOLL.CARR. 890 ZINC.	n	1,00	0140019Z	OP
45	32	890 TROLLEY CARPENTRY	n	1,00	0140001	
45	32	POS.1-2-3-4-5-6-13-18-19-20-27-28-29				
46	32	890-990GX AND 40M BOOM TROLLEY	n	1,00	CARR890	
46	32	POS.1-2-3-4-5-6-7-8-9-10-11-12-13-14-15-19-20-21-24-25-26-27-28				

Note



Cod. 8900101

RM S.p.A.
S. QUIRICO DI TRECASALI
(PARMA)-ITALIA

RIDUTTORE D744A PER 790GX-890GX-990GX-900EVO rif.744.057.00
D744A REDUCER FOR 790GX-890GX-990GX-900EVO ref.744.057.00
REDUCTEUR D744A POUR 790GX-890GX-990GX-900EVO réf.744.057.00
UNTERSETZER D744A FÜR 790GX-890GX-990GX-900EVO bez.744.057.00
GEAR D744A VOOR 790GX-890GX-990GX-900EVO ref.744.057.00

Pag.21

Rev.00

11/2010

Esploso 8900101
RIDUTTORE COMER D744 A
Note COMER 9.744.057.00

POS. Pos. Pos. Pos.	PAG. Page Seite Pagina	DENOMINAZIONE Appellation Denomination Bezeichnung Denombrocion	U.M.	N.PEZZI N.Pieces N.Pieces N.Teile N.Plez	CODICE Code Code Code Codigo	NOTE Annotation Note Aufzeichnung Nota
1	21	PLUG FOR HOLE COMER	n	1,00	RC01202069041	
2	21	COMER SPRING	n	2,00	RC0721710100	
3	21	PLATE COMER	n	1,00	RC0124710100	
4	21	PLUG 47X7 COMER	n	4,00	RC87001362	
5	21	COMER RING	n	7,00	RC85201290	
6	21	BEARING CLB 6204 COMER	n	5,00	RC80100405	
7	21	INLET COMER SHAFT	n	1,00	RC0744240100	
8	21	CYLIND.PINION COMER	n	1,00	RC0735500100	
9	21	CYLIND.PINION COMER	n	1,00	RC0744501500	
10	21	TONGUE UNI6604 COMER	n	1,00	RC84101617	
11	21	CYLIND.GEAR COMER	n	1,00	RC0744600700	
12	21	COMER GEAR	n	2,00	RC0744601800	
13	21	TONGUE UNI6604 COMER	n	1,00	RC84101511	
14	21	LEVER COMER	n	1,00	RC2744701800	
15	21	COMER RING	n	1,00	RC85100261	
16	21	SCREW ZN TE UNI5739 COMER	n	6,00	RC81101676	
17	21	COMER BA RING	n	4,00	RC87301395	
18	21	SPACER COMER	n	3,00	RC0457750000	
19	21	COMER SPACER	n	1,00	RC0744710400	
20	21	COMER PINION SHAFT	n	1,00	RC0744501100	
21	21	PINION SHAFT + TONGUE	n	1,00	RC2744502900	
22	21	SPACER COMER	n	1,00	RC0104751000	
23	21	COMER PINION SHAFT	n	1,00	RC0744503100	
24	21	BEARING CLB 6304 COMER	n	1,00	RC80100035	
25	21	COMER RING	n	1,00	RC85200038	
26	21	GEAR COMER	n	1,00	RC2744601000	
27	21	PLUG 72X10 COMER	n	2,00	RC87000744	

CONTINUA

Note

Esploso	8900101
	RIDUTTORE COMER D744 A
Note	COMER 9.744.057.00

POS. Pos. Pos. Pos.	PAG. Page Seite Pagina	DENOMINAZIONE Appellation Denomination Bezeichnung Denombrocion	U.M.	N.PEZZI N.Pieces N.Pieces N.Teile N.Plez	CODICE Code Code Code Codigo	NOTE Annotation Note Aufzeichnung Nota
28	21	Z12 COMER SHAFT	n	1,00	RC0744500400	
29	21	COMER RING	n	2,00	RC85200131	
30	21	BEARING CLB 6207 COMER	n	2,00	RC80100870	
31	21	BEARING 6208 CLB COMER	n	2,00	RC80100871	
32	21	PLUG 80X10 COMER	n	1,00	RC87000790	
33	21	O-RING	n	2,00	RC85200030	
34	21	TONGUE COMER B	n	1,00	RC84100966	
35	21	COMER SPACER	n	1,00	RC0285710200	
36	21	GEAR Z62 M2.75	n	1,00	RC0744600000	
37	21	COMER BOX	n	1,00	RC0744030200	
38	21	OUTLET SHAFT	n	1,00	RC0744300400	
39	21	COMER RING BA 40X80X10	n	1,00	RC87300027	
40	21	SPES. REG. COMER	n	1,00	RC024475100	
41	21	SPES. REG. COMER	n	1,00	RC210244752500	
42	21	SPACER COMER	n	1,00	RC0742751000	
43	21	COMER HANDLE	n	1,00	RC1721700200	
44	21	CYLIND.GEAR COMER	n	1,00	RC0744600100	
45	21	COMER TONGUE	n	2,00	RC84100992	
46	21	COMER BUSH	n	1,00	RC0744700000	
47	21	COMER SPACER	n	1,00	RC0744710600	
48	21	SPACER COMER	n	1,00	RC0102751000	
49	21	COMER RING	n	1,00	RC85101082	
50	21	COMER PLUG	n	1,00	RC86700269	
51	21	COMER PIN	n	1,00	RC84500934	
52	21	COMER NUT	n	1,00	RC0744710500	
53	21	COMER TONGUE	n	1,00	RC0744711200	
54	21	PLUG 22X5 COMER	n	1,00	RC87001343	

CONTINUA

Note

Esploso	8900101
	RIDUTTORE COMER D744 A
Note	COMER 9.744.057.00

POS. Pos. Pos. Pos.	PAG. Page Seite Pagina	DENOMINAZIONE Appellation Denomination Bezeichnung Denombrocion	U.M.	N.PEZZI N.Pieces N.Pieces N.Teile N.Plez	CODICE Code Code Code Codigo	NOTE Annotation Note Aufzeichnung Nota
55	21	COMER GEARS	n	1,00	RC2744500700	
56	21	CYLIND.GEAR COMER	n	1,00	RC0744600300	
57	21	SPACER 48.0X35.3X1.3	n	1,00	RC0259751300	
58	21	SPACER 32.0X20 COMER	n	1,00	RC0104752500	
59	21	COMER GAUGE	n	1,00	RC86400273	
60	21	COMER PLUG	n	1,00	RC86500006	
61	21	COMER RING	n	2,00	RC85200007	
62	21	COMER RING	n	1,00	RC87300003	
63	21	BEARING CLB 6007 COMER	n	2,00	RC80100000	
64	21	CYLIND.PINION COMER	n	1,00	RC0744500200	
65	21	PTO SHAFT 1" 3/8 Z6	n	1,00	RC0744320000	
66	21	SCREW TCEI UNI5931 M8X40 8.8	n	4,00	RC81201723	
67	21	COVER FOR COMER TURNS-COUNTER	n	1,00	RC0735130000	
68	21	SCREW ZN TCEI UNI5931 COMER	n	2,00	RC81201718	
69	21	BEARING CLA 30204 COMER	n	2,00	RC80902320	
70	21	SPE.REG. 32.0X20.3X0.3	n	1,00	RC0104750300	
71	21	TAMBURO FRENO	n	1,00	RC0743700500	
72	21	COMER RING	n	2,00	RC85100005	
73	21	TONGUE UNI6604 COMER	n	1,00	RC84100232	
74	21	CAPPELOTTO 62X10	n	1,00	RC87000743	
75	21	SEAL O-RING COMER	n	2,00	RC87600191	
76	21	COMER COVER	n	1,00	RC2744132100	
77	21	COMER SPRING	n	1,00	RC85501316	
78	21	UNI1336 COMER PIN	n	1,00	RC84700760	
79	21	LEVER FOR COMER	n	1,00	RC2744700200	
80	21	D.E.INT. UNI5594 COMER	n	1,00	RC82200997	
81	21	COMER BALL	n	2,00	RC85900166	

CONTINUA

Note

RM SPA
 Via Provinciale per Cremona 41 - Fraz. San Quirico
 43010 Trecasali (PR)
 Tel 0521 872221 - Fax 0521 874027
 Cod. Fisc e Part.IVA 00153210349

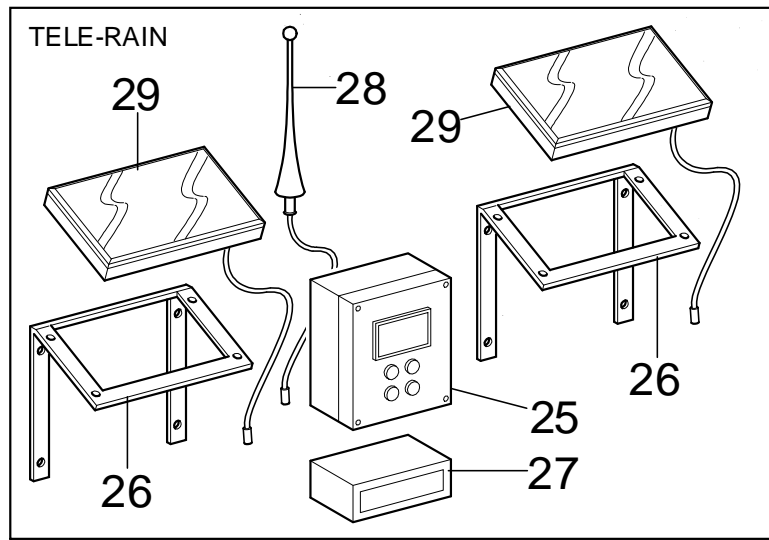
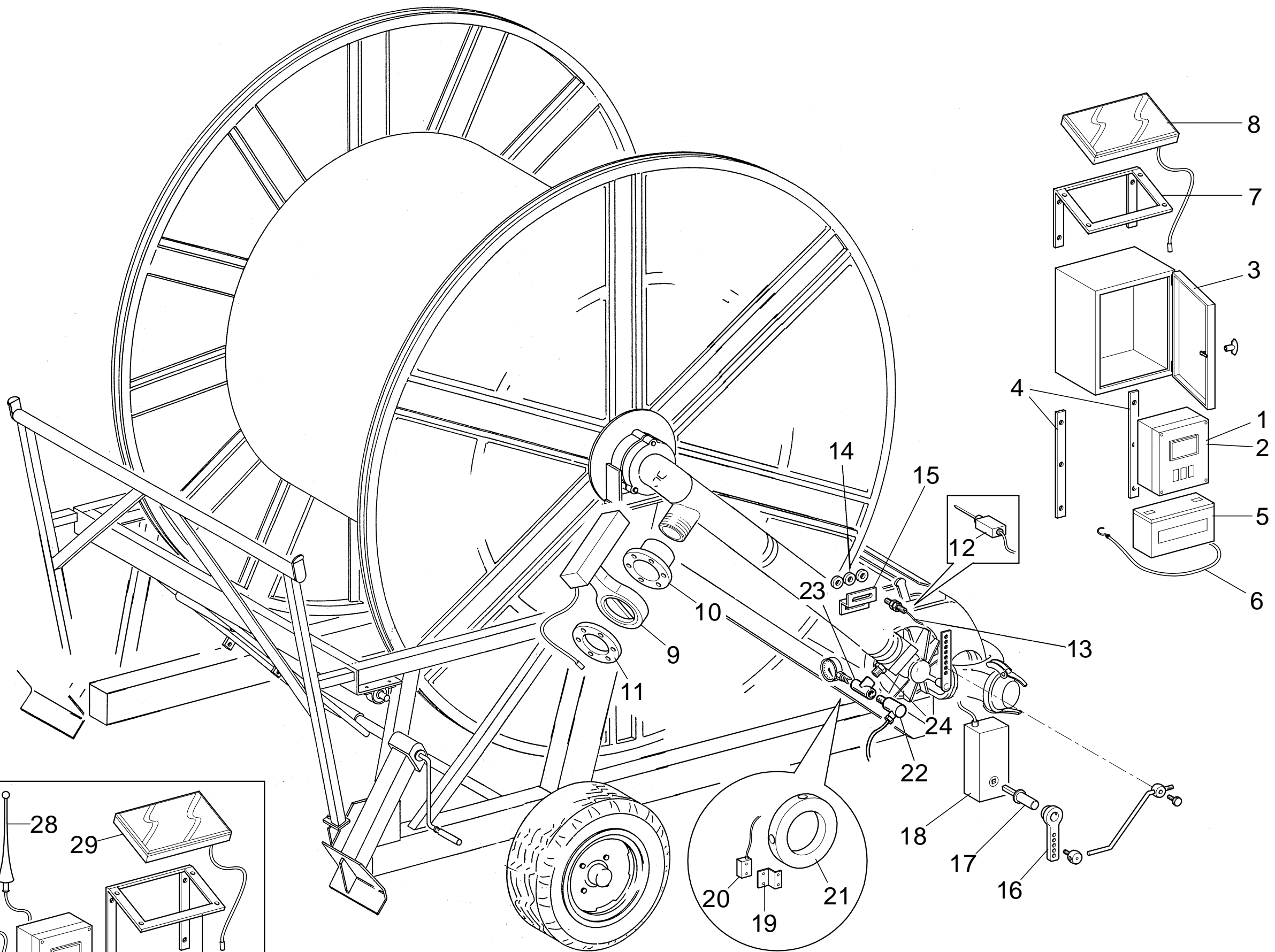
Controllo Esploso 11/0000006
 Data Creazione 28/01/2011
 Data Ult. Modifica 30/09/2011 Ora 12:09

Stampa del 01/12/2011

Esploso 8900101
RIDUTTORE COMER D744 A
Note COMER 9.744.057.00

POS. Pos. Pos. Pos.	PAG. Page Seite Pagina	DENOMINAZIONE Appellation Denomination Bezeichnung Denombrocion	U.M.	N.PEZZI N.Pieces N.Pieces N.Teile N.Plez	CODICE Code Code Kode Codigo	NOTE Annotation Note Aufzeichnung Nota
82	21	COMER FLANGE	n	1,00	RC0744700800	
251	21	COMPLETE BRAKE BAND	n	1,00	RC2744700600	i5800143
252	21	SPRING FOR COMER BRAKE	n	1,00	RC0735710300	
253	21	COMER HANDLE	n	1,00	RC89101713	
254	21	PIVOT FOR STOP TOOTH	n	1,00	RC0735710100	
255	21	PART FOR SCREWS UNI6592 COMER	n	2,00	RC83200439	
256	21	COMER BOLD	n	1,00	RC82600868	
257	21	COMER RING	n	1,00	RC87301396	

Note



Esploso

PROGRAMMATORE NORTOFT CONSTANT RAIN 7 - PROGRAM RAIN 10

Note

POS. Pos. Pos. Pos. Pos.	PAG. Page Seite Pagina	DENOMINAZIONE Appellation Denomination Bezeichnung Denombrocion	U.M.	N.PEZZI N.Pieces N.Teile N.Plez	CODICE Code Code Kode Codigo	NOTE Annotation Note Aufzeichnung Nota
1	46	CONSTANT RAIN 7 NORTOFT	n	1,00	0200101	
2	46	PROGRAM RAIN 10 NORTOFT	n	1,00	0200114	
3	46	PLASTIC BOX 400X300X180	n	1,00	0200109	
4	46	STAFFE FISSAGGIO SCATOLA	n	2,00		
5	46	BATTERY PANASONIC 12V-7,2AH	n	1,00	0200111	
6	46	ELAST.ROPE FOR HOOKS A2000200	m	0,50	070123	
7	46	FRAME FOR SOLAR PANNEL 1,8MM	n	1,00	0200110	
8	46	SOLAR PANNEL 12V 1,8W INCL. CABLE	n	1,00	0200107	
9	46	DA 80/14/100, 100MM MOTORISED VALVE	n	1,00	0200108	4" (DN100)
9	46	MOTORISED VALVE 3" DN80	n	1,00	0200135	3" (DN80)
9	46	MOTORISED BALL VALVE 20 SEC.	n	1,00	0200132	2"
10	46	FLANGED DISCHARGE PIPE FOR VALVE	n	1,00	0200043Z	3" - C.11
10	46	2" DISCHARGE PIPE	n	1,00	0200044Z	2" - C.11
10	46	DN100 FLANGE FOR DISCH. VALVE	n	1,00	0200001	
11	46	FLANGE DN 100 PN16 HOLE D.108	n	1,00	FLANGEDN100C	GR. - C.10
12	46	FINECORSA A STELO + BOCCHETTONE	n	1,00	5810109+5810110	
13	46	SENSOR TYPE 7 M10X50 NORTOFT	n	1,00	0200104	OP
14	46	MAGNET D.20-D.4,5X10 NORTOFT	n	3,00	0200105	OP
15	46	SUPPORT NORTOFT DOUBLE SENSOR	n	1,00	0200004	OP
16	46	GALVANISED BY-PASS LEVER	n	1,00	0200003Z	
17	46	SHAFT SQUARE 14X14MM NOT MOUNTED	n	1,00	0200002	
18	46	DA 80/14 ACTUATOR	n	1,00	0200106	
19	46	SUPPORT NORTOFT DOUBLE SENSOR	n	1,00	0200004	
20	46	SENSOR TYPE 5 DOUBLE SENSOR	n	1,00	0200102	
21	46	DISCO 4 MAGNETI + N. 4 MAGNETI	n	1,00	0200103+5800505	
22	46	PRESSURE SWITCH PMM 10 A 18 K	n	1,00	0200112	
23	46	T 1/8" F+F+F JOINT	n	1,00	5800327	

CONTINUA

Note

RM SPA
 Via Provinciale per Cremona 41 - Fraz. San Quirico
 43010 Trecasali (PR)
 Tel 0521 872221 - Fax 0521 874027
 Cod. Fisc e Part.IVA 00153210349

Controllo Esploso **10/0000037**
 Data Creazione **02/12/2010**
 Data Ult. Modifica **25/11/2011 Ora 16:57**

Stampa del 25/11/2011

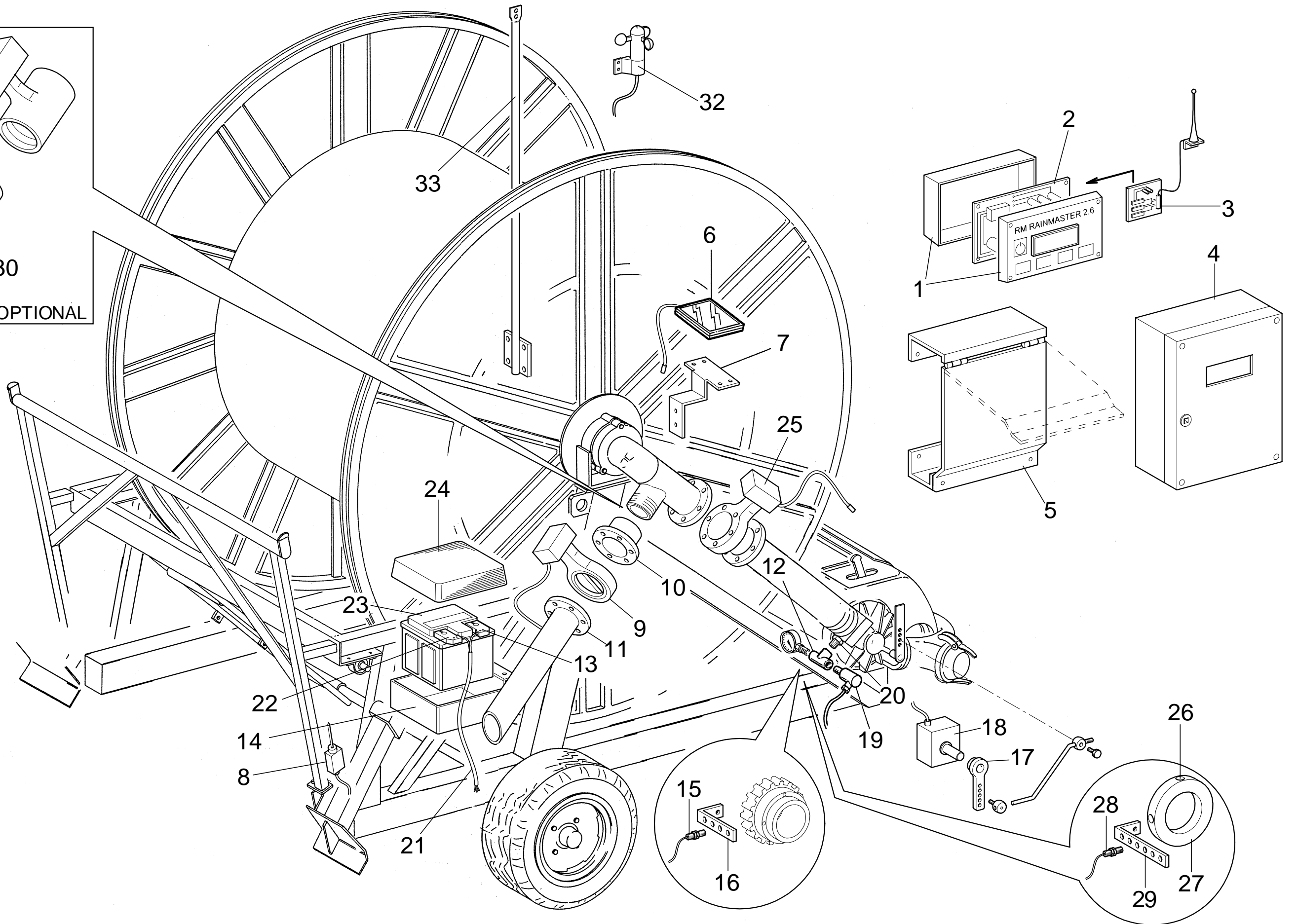
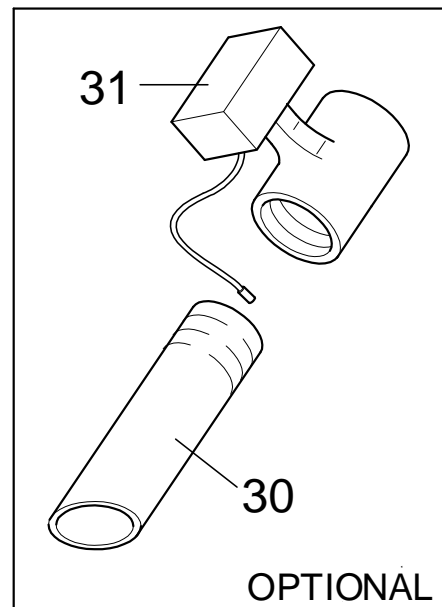
Esploso

PROGRAMMATORE NORTOFT CONSTANT RAIN 7 - PROGRAM RAIN 10

Note

POS. Pos. Pos. Pos.	PAG. Page Seite Pagina	DENOMINAZIONE Appellation Denomination Bezeichnung Denombrocion	U.M.	N.PEZZI N.Pièces N.Pieces N.Teile N.Plez	CODICE Code Code Kode Codigo	NOTE Annotation Note Aufzeichnung Nota
24	46	JOINT 1/8"-1/8"	n	1,00	5800328	
25	46	TELE RAIN 11 WITH ANTENNA	n	1,00	0200115	OP
26	46	SOLAR PANNEL 12V 1,8W INCL. CABLE	n	1,00	0200107	OP
27	46	SIEMENS MODEM TC 35	n	1,00	0200116	OP
28	46	ANTENNA TELEFONICA	n	1,00		OP-C.25
29	46	SOLAR PANNEL 12V 1,8W INCL. CABLE	n	2,00	0200107	OP

Note



RM S.p.A.
S. QUIRICO DI TRECASALI
(PARMA)-ITALIA

PROGRAMMATORE RM RAINMASTER 2.6/RAINSTAR 160
PROGRAMMER RM RAINMASTER 2.6/RAINSTAR 160
PROGRAMMEUR RM RAINMASTER 2.6/RAINSTAR 160
PROGRAMMIEREINHEIT RM RAINMASTER 2.6/RAINSTAR 160
PROGRAMMEUR RM RAINMASTER 2.6/RAINSTAR 160

Pag.110

Rev.01
11/2010

Esploso

PROGRAMMATORE RAINMASTER 2.6 - RAINSTAR 160

Note

POS. Pos. Pos. Pos.	PAG. Page Seite Pagina	DENOMINAZIONE Appellation Denomination Bezeichnung Denombrocion	U.M.	N.PEZZI N.Pieces N.Pieces N.Teile N.Plez	CODICE Code Code Kode Codigo	NOTE Annotation Note Aufzeichnung Nota
1	110	RAINSTAR STAINL.STEEL COVER	n	1,00	0200127	C.2
2	110	RAINSTAR 260 CONTROL PANEL	n	1,00	0200128	C.1
2	110	RAINSTAR 160 CONTROL PANEL	n	1,00	0200123	C.1
3	110	GSM ELECTR. BOARD WITH ANTENNA	n	1,00	0200130	OP
4	110	COVER WITH KEY FOR PROGRAMMER	n	1,00	7000074	OP
5	110	RAINSTAR STAINL.STEEL COVER	n	1,00	0200127	
6	110	SOLAR PANEL 20902076	n	1,00	5800332	OP
7	110	SOLAR PANEL SUPPORT	n	1,00	7000082Z	OP
8	110	FINECORS A STELO + BOCCHETTONE	n	1,00	5810109+5810110	
9	110	MOTORISED VALVE 3" DN80	n	1,00	0200135	
9	110	MOTOR VALVE 20 SEC. STARTEC	n	1,00	0200129	
10	110	FLANGIA DN 100 CON MANICOTTO FILETTATO	n	1,00	FLANGEDN100C+MA NFIL89	OP
10	110	FLANGIA DN80 CON MANFIL 3"	n	1,00		C.11-OP
11	110	FLANGE DN 100 PN16 HOLE D.108	n	1,00	FLANGEDN100C	
11	110	FLANGED DISCHARGE PIPE FOR VALVE	n	1,00	0200043Z	C.10 - OP
12	110	T 1/8" F+F+F JOINT	n	1,00	5800327	
13	110	"+" BATTERY HOLDFAST	n	1,00	5800324	
14	110	BATTERY CONTAINER	n	1,00	7000081	
15	110	SPECIAL SENSOR 8 MM.	n	1,00	0200124	C.16 SOLO/ONLY POST-MONTAGGIO
16	110	SUPPORTO SENSORE	n	1,00		C.15 SOLO/ONLY POST-MONTAGGIO
17	110	GALVANISED BY-PASS LEVER	n	1,00	0200003Z	
18	110	MOTOGERABOX 12 VPC STARTEC	n	1,00	0200125	
19	110	PRESSURE SWITCH 1/4" STARTEC	n	1,00	0200126	
20	110	JOINT 1/8"-1/8"	n	1,00	5800328	
21	110	FEEDING CABLE	n	1,00	5800321	
22	110	"-" BATTERY HOLDFAST	n	1,00	5800325	
23	110	BATTERY 12V 45 AH	n	1,00	5800326	

CONTINUA

Note

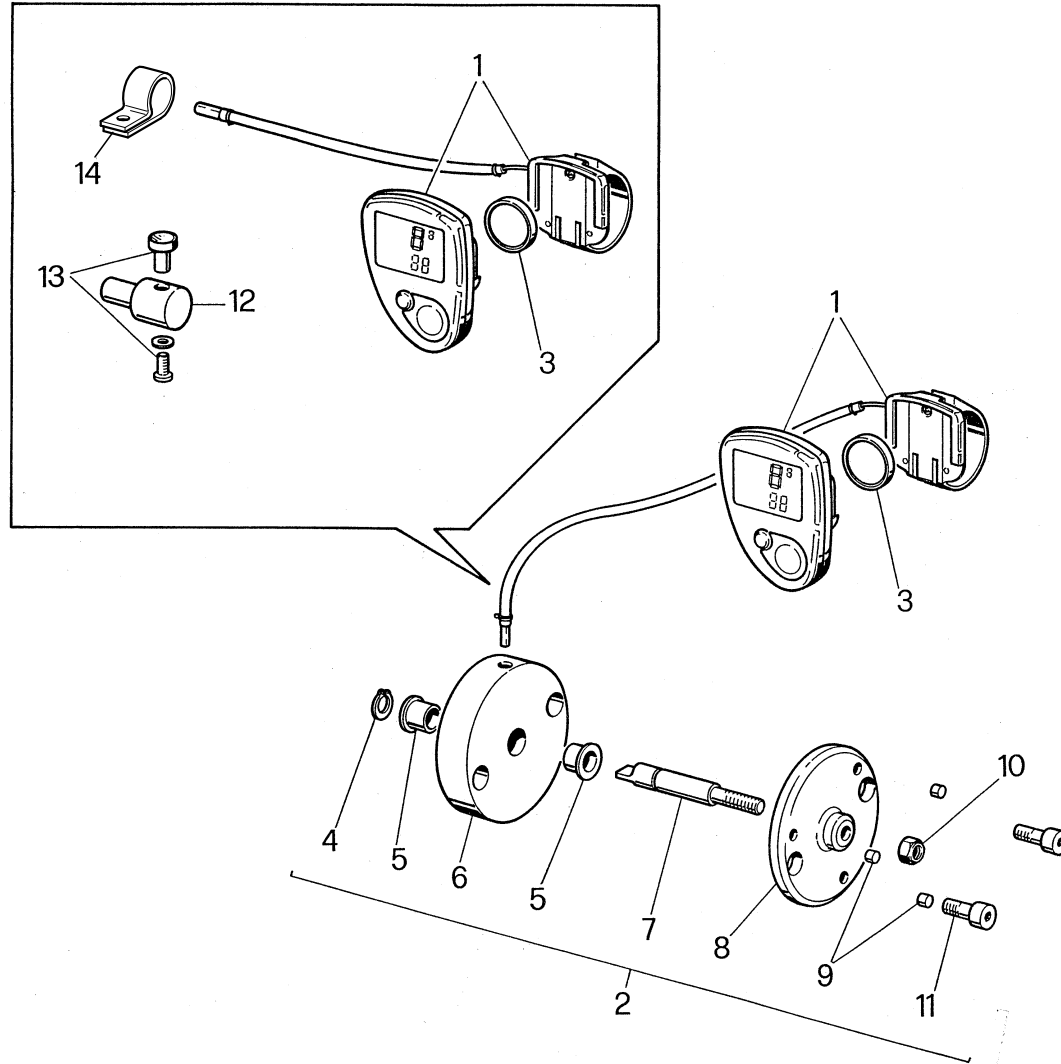
Esploso

PROGRAMMATORE RAINMASTER 2.6 - RAINSTAR 160

Note

POS. Pos. Pos. Pos.	PAG. Page Seite Pagina	DENOMINAZIONE Appellation Denomination Bezeichnung Denombrocion	U.M.	N.PEZZI N.Pieces N.Pieces N.Teile N.Plez	CODICE Code Code Kode Codigo	NOTE Annotation Note Aufzeichnung Nota
24	110	BATTERY COVER	n	1,00	8900049	
25	110	MOTOR VALVE 20 SEC. STARTEC	n	1,00	0200129	OP
26	110	MAGNET DIAM. 4 X 3	n	4,00	5800505	
27	110	DISK FOR GEAR Ø90X10MM	n	1,00	0200103	
28	110	RUN END SENSOR WITH MAGNET	n	1,00	5800329	C.29
29	110	SUPPORTO SENSORE	n	1,00		C.28
30	110	2" DISCHARGE PIPE	n	1,00	0200044Z	2"- OP
31	110	MOTORISED BALL VALVE 20 SEC.	n	1,00	0200132	OP
32	110	SUPPORTO ANEMOMETRO	n	1,00		OP
33	110	ANEMOMETER WITH CABLE	n	1,00	0200137	op

Note



RM S.p.A.
 S. QUIRICO DI TRECASALI
 (PARMA)-ITALIA

TACHIMETRO ELETTRONICO "VDO EURO/SPRINT"
ELECTRONIC SPEEDOMETER "VDO EURO/SPRINT"
TACHYMÈTRE ÉLECTRONIQUE "VDO EURO/SPRINT"
ELEKTRONENGESCHWINDIGKEITSMESSER "VDO EURO/SPRINT"
ELEKTRONISCH TOERENTELLER "VDO EURO/SPRINT"

Esploso

TACHIMETRO VDO EURO/SPRINT

Note

POS. Pos. Pos. Pos.	PAG. Page Seite Pagina	DENOMINAZIONE Appellation Denomination Bezeichnung Denombrocion	U.M.	N.PEZZI N.Pieces N.Pieces N.Teile N.Plez	CODICE Code Code Kode Codigo	NOTE Annotation Note Aufzeichnung Nota
1	22	TACHOMETER CYTEC 05	n	1,00	5800501	C.3+13
2	22	SPEED READER FOR TACHOMETER	n	1,00	5800508	
3	22	WASHER 4 X 10 X 1	n	1,00	5800504	
4	22	SEEGER E 8	n	1,00	5800503	
5	22	BUSH PAF 08075P10	n	2,00	5800502	
6	22	TACHOMETER SENSOR HOLDER	n	1,00	5800052	
7	22	TACHOMETER READER SHAFT	n	1,00	5800054	
8	22	TACHOMETER MAGNETS HOLDER	n	1,00	5800053	
9	22	MAGNET DIAM. 4 X 3	n	3,00	5800505	
10	22	SELF-LOC.NUT M5	n	1,00	5800211	
11	22	VITI TCEI M5x12	n	2,00		
12	22	MAGNET HOLDER	n	1,00	8900034	
13	22	MAGNETE VDO	n	1,00		C.1
14	22	CLAMP ABA D.10	n	1,00	5800507	
15	22	TACHOMETER VDO COMPLETE	n	1,00	TACHVDOEURO	
15	22	MAGNETI - POS.1-2-3				
16	22	TACHOMETER VDO (560-890-990)	n	1,00	TACHVDOSPRINT	
16	22	MAGNETE - POS.1-3-12-13-14				

Note