

RM S.p.A.
 S. QUIRICO DI TRECASALI
 (PARMA)-ITALIA

IRRIGATORE SEMOVENTE MOD. 890GX-790GX
 SELF-PROPELLED SPRINKLER MODEL 890GX-790GX
IRRIGATEUR AUTOMOTEUR MODÈLE 890GX-790GX
 SELBSTFAHRENDE BEWÄSSERUNGSAPPARAT MOD. 890GX-790GX
ZELFRIJDANDE SPROEIER TYPE 890GX-790GX

Pag.11
 Rev.01
 11/2010

Esploso I0790EGXA
MACCHINA IRRIGATRICE SUPER RAIN 790 GX EXPORT

Note

POS. Pos. Pos. Pos.	PAG. Page Seite Pagina	DENOMINAZIONE Appellation Denomination Bezeichnung Denombrocion	U.M.	N.PEZZI N.Pieces N.Pieces N.Teile N.Plez	CODICE Code Code Code Codigo	NOTE Annotation Note Aufzeichnung Nota
1	11	108 BAUER M GALV.PLUG	n	1,00	8900112	
2	11	BAUER 108 SEAL	n	2,00	5801142	
3	11	DOUBLE WATER INLET PIPE	n	1,00	8900046Z	
4	11	BAUER 108 MALE JOINT	n	2,00	5801138	
5	11	CLAMP 110	n	4,00	5800139	
6	11	HOSE ROMAGNA 15 102X116	m	4,50	5800113	
7	11	DISK TONGUE 5X9	n	1,00	8900205	OP
8	11	SCREW TE M 8 X25	n	12,00	8900204	
9	11	TURBINE FLANGE	n	1,00	8900030	
10	11	OR 41050 (266.29 X 3.53)	n	1,00	5800204	
11	11	WASHER 8X14 1/16"	n	4,00	8900202	
12	11	SCREW TCEI M8X25 INOX	n	4,00	8900203	
13	11	SEAL BT PR/FN 20L VPGF-SX	n	1,00	8900201	
14	11	IMPELLER	n	1,00	5800023	
15	11	NUT M 16 X 1,5	n	1,00	8900206	
16	11	TURBINE CASE	n	1,00	5800021	
17	11	NOZZLE GUN PULSAR/RANGER	n	1,00	5800214	Ø
18	11	RUBBER SEAL	n	1,00	5800025	
19	11	OR 108	n	2,00	5800213	
20	11	SELF-LOC.NUT M5	n	2,00	5800211	
21	11	THROTTLE	n	1,00	5800028	
22	11	BY PASS SHAFT	n	1,00	5800027	
23	11	ELASTIC PIN D.5X25 INOX	n	1,00	5800212	
24	11	SCREW M 5X20 AISI 304	n	2,00	5800210	
25	11	BY-PASS LEVER	n	1,00	7000016Z	1.8900040Z
26	11	FIXING FOR BY-PASS KNOB	n	1,00	5800030Z	
27	11	KNOB 60X20 FIL.10X25	n	1,00	5800102	

CONTINUA

Note

Esploso I0790EGXA
MACCHINA IRRIGATRICE SUPER RAIN 790 GX EXPORT

Note

POS. Pos. Pos. Pos.	PAG. Page Seite Pagina	DENOMINAZIONE Appellation Denomination Bezeichnung Denombrocion	U.M.	N.PEZZI N.Pieces N.Pieces N.Teile N.Plez	CODICE Code Code Kode Codigo	NOTE Annotation Note Aufzeichnung Nota
28	11	PTO PROTECTION	n	1,00	8900032	
29	11	MANOPOLA PVC NERO MOD.1009 / MANOPOLA PIATTA ART.1011	n	1,00	5800186/5800109	
30	11	TURBINE PROTECTION	n	1,00	8900031	
31	11	MANOMETER G.1/4"	n	1,00	5800115	
32	11	CLAMPS GOLD 104-115	n	4,00	5800114	
33	11	HOSE ROMAGNA 15 102X116	m	0,90	5800113	
34	11	790-890-990 BY-PASS BAR	n	1,00	7900013Z	
35	11	3-GROOVES HOSE TAIL + FLANGE	n	1,00	8900017Z	
36	11	PAPER SEAL FOR FLANGE DN 100	n	1,00	8000123	
37	11	TUBAZIONE ENTRATA+FLANGIA	n	1,00	8900016+7001004	F.30/12/2007
38	11	PLUG F 3" GALVAN.	n	1,00	8000121	op
38	11	PLUG F 2"	n	1,00	5800121	
39	11	RIGHT M6 GREASER	n	3,00	5800112	
39	11	GREASER M6X1	n	1,00	5800175	
40	11	UM 100-120-10 SEAL	n	2,00	7001106	
41	11	SEEGER E 100	n	1,00	7000110	
42	11	BEARING 6220	n	1,00	7000108	
43	11	BEARING 6220 SUPPORT	n	1,00	7000003	
44	11	STAINLESS STEEL BUSH	n	1,00	7000054	
45	11	OR 2350 (2.43)	n	1,00	7000117	
46	11	700-790 DRUM V.2009	n	1,00	7002001	D.790430-F.790525
46	11	700-790 DRUM V.2010	n	1,00	7003001	D.790526
46	11	DRUM I.D.1340 V.2004	n	1,00	7001001	F.790429
47	11	TEETH M16 X 60	n	12,00	7000036	
48	11	CLAMPS GOLD 104-115	n	3,00	5800114	
48	11	CLAMP GOLD 120-134	n	3,00	8000111	
48	11	CLAMP GOLD 95-105	n	3,00	5900102	

CONTINUA

Note

Esploso I0790EGXA
MACCHINA IRRIGATRICE SUPER RAIN 790 GX EXPORT

Note

POS. Pos. Pos. Pos.	PAG. Page Seite Pagina	DENOMINAZIONE Appellation Denomination Bezeichnung Denombrocion	U.M.	N.PEZZI N.Pieces N.Pieces N.Teile N.Plez	CODICE Code Code Code Codigo	NOTE Annotation Note Aufzeichnung Nota
48	11	CLAMP GOLD 115 130	n	3,00	8000120	
49	11	IMBOCCATURA TUBO POLIETILENE CON TRONCHETTO	n	1,00	5500033+TRONCHD10 1	Ø PE
50	11	TUBO POLIETILENE MD	n	1,00	TMD....	ml.
51	11	SECURITY CABLE WITH TIE	n	1,00	5500041	
52	11	FIXING FOR BY-PASS TIE	n	1,00	5800058Z	
53	11	890-990 SPEED COMP.SPRING	n	1,00	8900048	
54	11	SPEED COMPENSATOR CHASSIS	n	1,00	7900008Z	
55	11	TH.25/10 CLOSING SHEET PROTEC.	n	2,00	70010012	F.790429
55	11	DRUM CLOSING PANEL	n	1,00	70020012	D.790430-F.790525
55	11	CLOSING SIDE PANEL FOR DRUM V.2010	n	1,00	70030012	D.790526
56	11	SUPPORT UCP 210 PTN	n	1,00	7000111	
57	11	SEEGER E 50	n	1,00	7000109	
58	11	PINION 1/2"S	n	2,00	5500037	Z....
59	11	HOSEGUIDE SUPPORT	n	1,00	5801006	
60	11	PAWL D.35	n	1,00	5800050	
61	11	SEEGER I 35	n	1,00	5800144	
62	11	RIGHT M6 GREASER	n	1,00	5800112	
63	11	ENDLESS SCREW W/PAUSES MAJOR	n	1,00	10001027	D.79064-F.790430
63	11	ENDLESS SCREW 700 - 800	n	1,00	7000008	F.79063
63	11	ENDLESS SCREW V.2009	n	1,00	7001008	D.790430
64	11	SUPPORT UCPA 206	n	2,00	6000104	
65	11	CHAIN JOIN.MESH 1/2" S	n	1,00	5800120	
66	11	CHAIN 1/2" S SEDIS	m	3,20	5800119	
67	11	SAFETY PROTECTION INNER CHAIN SIDE	n	1,00	7000040	
68	11	CHAIN PROTECTION 700	n	1,00	7000037	
69	11	(-> POS.134)				
70	11	STOP CHASSIS	n	1,00	7900004Z	

CONTINUA

Note

Esploso I0790EGXA
MACCHINA IRRIGATRICE SUPER RAIN 790 GX EXPORT

Note

POS. Pos. Pos. Pos.	PAG. Page Seite Pagina	DENOMINAZIONE Appellation Denomination Bezeichnung Denombrocion	U.M.	N.PEZZI N.Pieces N.Teile N.Plez	CODICE Code Code Kode Codigo	NOTE Annotation Note Aufzeichnung Nota
71	11	TROLLEY LIFTING CHASSIS	n	1,00	7900003Z	
74	11	HOSEGUIDE	n	1,00	7000018Z	
75	11	4-LEV. MD/4 A1X4 DISTRIBUTOR	n	1,00	7000303	OP
76	11	COPPIGLIE Ø 4	n	4,00		
77	11	HOSEGUIDE ROLLER PIVOT	n	2,00	5900007	
78	11	RULLO PER GUIDATUBO + N. 2 CUSCINETTI	n	1,00	6000043+5800168	
78	11	BEARING 6204 2RS FOR ROLLER	n	2,00	5800168	
79	11	50X50 UPPER SECTION SUPPORT	n	2,00	6000041Z	
80	11	60X60 LOWER SECTION SUPPORT	n	2,00	6000042Z	
83	11	SEEGER E 20	n	4,00	7000114	
84	11	D.20 PIN	n	2,00	8000044Z	
85	11	STAFFA POSTERIORE SINISTRA	n	1,00	7900006Z+7900005Z	
85	11	STAFFA POSTERIORE DESTRA	n	1,00	7900007Z+7900005Z	
86	11	CYLINDER FOR HYDR.REAR FOOT	n	2,00	6000033	
87	11	3/8" - 1/4" CONNECTION	n	4,00	7000307	
88	11	3/8" WASHER	n	4,00	7000331	
89	11	PIPE 1/4" R7 90' F L=1800 DRIT	n	4,00	8900110	
90	11	790 UPPER CHASSIS	n	1,00	7900001Z	
91	11	GEARBOX HANDLE	n	1,00	5800041	
92	11	SALTARELLO COMPLETO	n	1,00	7900011Z+7900012Z	
93	11	SPRING FOR VALVE KIT	n	1,00	5500040	
94	11	SUPPORT FOR BRAKE SHAFT	n	1,00	8900025Z	
95	11	BRAKE PIVOT WITH NUT	n	1,00	8900113	10.735.7101.00
96	11	SHAFT FOR PINION	n	1,00	8900012Z	
97	11	GEAR 1" Z10 F.D.20	n	1,00	8900027	
98	11	TIE FOR CHAIN PINION	n	1,00	8900026Z	
99	11	CHAIN PROTECTION	n	1,00	7900016Z	

CONTINUA

Note

Esploso I0790EGXA
MACCHINA IRRIGATRICE SUPER RAIN 790 GX EXPORT

Note

POS. Pos. Pos. Pos.	PAG. Page Seite Pagina	DENOMINAZIONE Appellation Denomination Bezeichnung Denombrocion	U.M.	N.PEZZI N.Pieces N.Pieces N.Teile N.Plez	CODICE Code Code Code Codigo	NOTE Annotation Note Aufzeichnung Nota
100	11	TRESTLE CL 13 4" C2	n	1,00	8900106	
101	11	DOUBLE WATER INLET SUPPORT	n	1,00	8900019Z	
102	11	3-LEV. MD/5 A1X3 DISTRIBUTOR	n	1,00	7000302	OP
103	11	2-LEV. MD/2 A1A1 DISTRIBUTOR	n	1,00	7000301	OP
104	11	PIPE 1/4" R7 L=1200	n	2,00	7000313	OP
105	11	PIPE 1/4" R1T L=10000	n	2,00	7000312	
106	11	QUICK CONNECT. 1/2"G TYPE FIAT	n	2,00	7000309	
107	11	1/4"- 1/2" CONNECTION	n	2,00	7000308	
108	11	3/8" - 1/4" CONNECTION	n	2,00	7000307	
109	11	3/8" - 1/4" CONNECTION	n	8,00	7000307	OP
110	11	PIPE 1/4" R7 L=2300 (90+90)	n	2,00	6000114	
111	11	PIPE 1/4"R7 L.4650 F90+F90/360	n	2,00	6000103	OP
112	11	790 HYDRAULIC JACK	n	1,00	7900026	OP
113	11	CONSTRICTION FOR VALVE	n	1,00	5500042	OP
114	11	PLATE FOR SUPPL. ENGINE	n	1,00	9900033Z	OP
115	11	PINION Z13 M7 SP.10	n	3,00	7000403	OP
116	11	GEOLINK GFL 300 HYDRAUL.ENGINE	n	1,00	7000401	
117	11	BEARING U01P090 6 HOLES	n	1,00	7900103	
118	11	TOOTHED GEAR M7 Z=175	n	1,00	7000402	
119	11	DRAWBAR PIN	n	2,00	7000032Z	
120	11	PIN COOP 05 AMA	n	2,00	COOP05AMA	
121	11	DRAWBAR HOOK	n	1,00	7000031	
121	11	PULLING HOOK 700 XJ	n	1,00	7001031	OP
122	11	790 LOWER CHASSIS	n	1,00	7900002Z	
123	11	T JOINT 1/4 M+M+M	n	2,00	6000111	
124	11	FIXING FOR HYDRAULIC PIPES	n	8,00	7000047Z	
125	11	TACHOMETER VDO (560-890-990)	n	1,00	TACHVDOSPRINT	V.PAG.22

CONTINUA

Note

Esploso I0790EGXA
MACCHINA IRRIGATRICE SUPER RAIN 790 GX EXPORT

Note

POS. Pos. Pos. Pos.	PAG. Page Seite Pagina	DENOMINAZIONE Appellation Denomination Bezeichnung Denombrocion	U.M.	N.PEZZI N.Pieces N.Pieces N.Teile N.Plez	CODICE Code Code Kode Codigo	NOTE Annotation Note Aufzeichnung Nota
126	11	1"1/4 PINION FIXING BUSH	n	1,00	9000032	
127	11	PINION 1" S Z 11	n	1,00	7000023	
128	11	SPACER FOR PINION 1"	n	1,00	7000073	
129	11	COMER D744 A 057 00 GEARBOX	n	1,00	8900101	V.PAG.21
130	11	COMER GEARBOX BRAKE	n	1,00	5800143	I.2.744.7006.00
131	11	TAPPO OLIO RIDUTTORE	n	1,00		I8.6.7.00269
132	11	BAUER D.108 FEMALE WITH SEAL	n	1,00	5801136	GR
133	11	GO/STOP LEVER	n	1,00	8900029Z	
134	11	RELEASE CABLE WITH TIE	n	1,00	5500025	
135	11	1"S PTN CHAIN CONNECTION MESH	n	1,00	7000104	
136	11	ROCKING ARM AXLE	n	2,00	7900029	OP
137	11	SELF-LOCKING NUT M30 GALV.	n	2,00	8900115	OP
138	11	SCREW TE M30X250	n	2,00	8900114	
139	11	WHEEL 10.0/75-15.3-PR10TL	n	4,00	6000101	OP
140	11	ROCKING ARM	n	2,00	7900028	DX-SX-OP
141	11	SCREW M16X1,5 CL.10.9	n	20,00	5800153	
142	11	NUT M16 X 1,5 CH.27	n	20,00	5800154	
143	11	WHEEL AXLE 6 COL. S.70 L=400	n	2,00	7900101	I.7900010
143	11	WHEEL AXLE 6 COL. 70X70 L=780	n	2,00	7901101	OP
144	11	SCREW M18 X1,5X54 CL.10.9	n	12,00	5800151	
145	11	WHEEL 31X15.50-15 8PR	n	2,00	7000119	PN-OP
145	11	WHEEL 10.0/75-15.3 12PR	n	2,00	7000105	PN
145	11	TYRE 13.0/55-16 PR12 6 HOLES	n	2,00	7000120	PN-OP
146	11	NUT M18X1,5 6S CH27X22 ZINC.	n	12,00	5800152	
147	11	PIPE R7 1/4" L=3700 90 + 90	n	2,00	7900102	OP
148	11	CHAIN 1"S (FKK) 1" ARNOLD- STYLZENBERG 16B1-1666	m	8,49	7000103	
149	11	DRAWBAR PIN	n	1,00	7000032Z	

CONTINUA

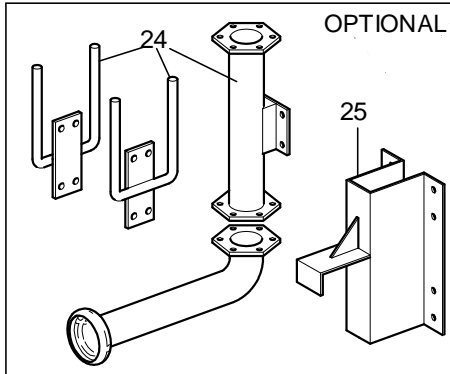
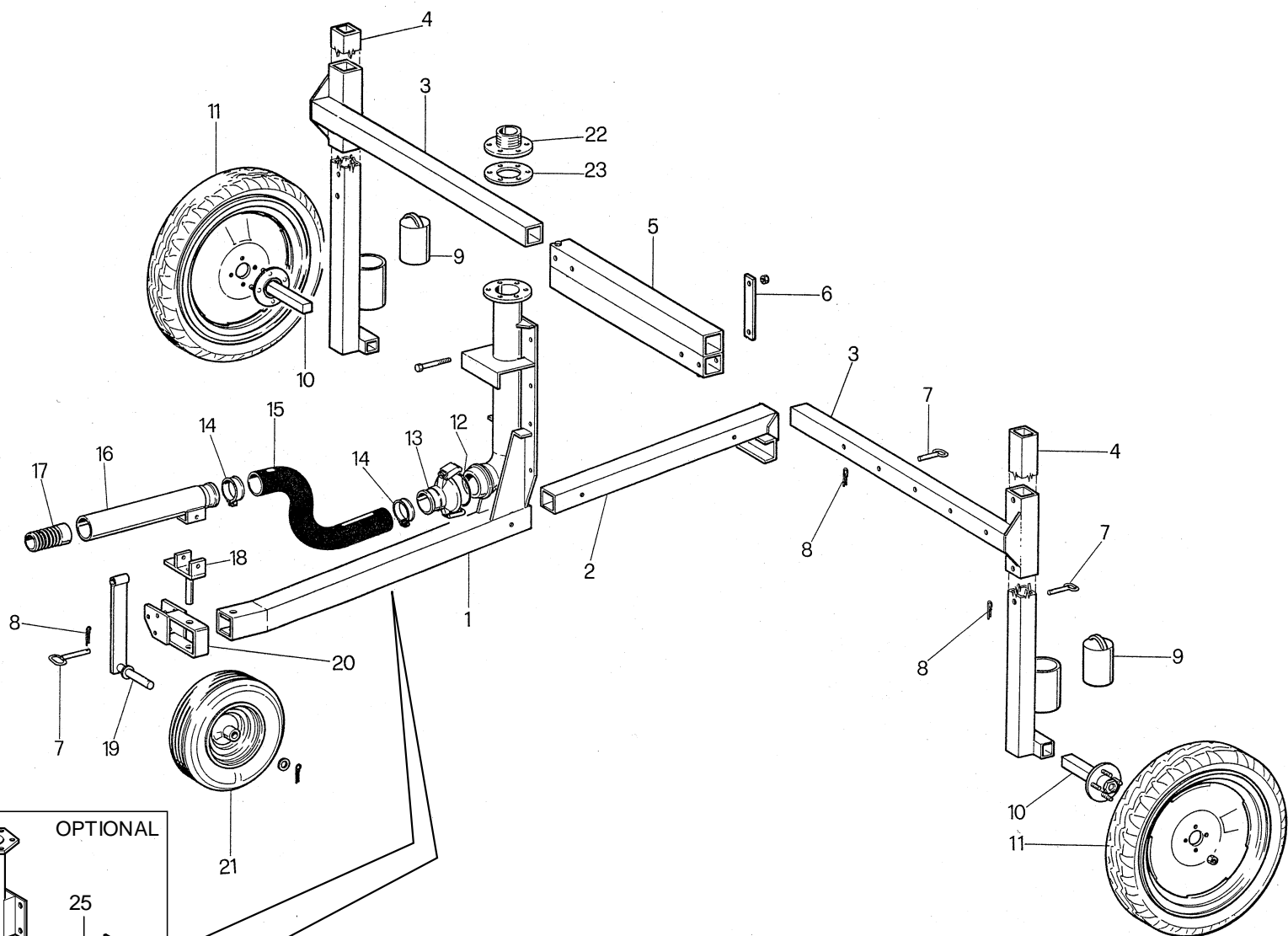
Note

Esploso I0790EGXA
MACCHINA IRRIGATRICE SUPER RAIN 790 GX EXPORT

Note

POS. Pos. Pos. Pos.	PAG. Page Seite Pagina	DENOMINAZIONE Appellation Denomination Bezeichnung Denombrocion	U.M.	N.PEZZI N.Pieces N.Pieces N.Teile N.Plez	CODICE Code Code Kode Codigo	NOTE Annotation Note Aufzeichnung Nota
150	11	TROLLEY LIFTING CHASSIS	n	1,00	8900041Z	OP
151	11	TROLLEY LIFTING HORNS	n	1,00	5800068Z	OP
152	11	CONNECTING PLATE	n	4,00	5800069Z	OP
153	11	CHAIN N.27 D.8X43	m	2,00	5800173	ml.1+1
154	11	BOOM LIFTING CYLINDER	n	2,00	6000055	OP
155	11	STOP CHASSIS FOR BOOM KIT	n	1,00	7900014Z	OP
156	11	3/8" - 1/4" CONNECTION	n	4,00	7000307	OP
157	11	PIPE 1/4" R7 90' F L=1800 DRIT	n	4,00	8900110	OP
158	11	T JOINT 1/4 M+M+M	n	2,00	6000111	OP
159	11	3/8" - 1/4" CONNECTION	n	2,00	7000307	OP
160	11	SEAL FLANGE 600-700 V.04	n	1,00	6000068	
161	11	OR 210 FOR TROLLEY QUEUE	n	1,00	9000118	
162	11	DRUM INLET PIPE	n	1,00	7900037Z	
163	11	MECHANICAL JACK	n	1,00	7900009	
164	11	TURBINE T3 M	n	1,00	TUR580M	V.PAG.14/1
164	11	POS.7-8-9-10-11-12-13-14-15-16-17-18-19-20-21-22-23-24				

Note



Cod.Carr.580.3

RM S.p.A.
 S. QUIRICO DI TRECASALI
 (PARMA)-ITALIA

CARRELLO PORTA IRRIGATORE VERSIONE 98 MOD. 580GX-581GX-690GX-790GX
 SPRINKLER-HOLDING CARRIER VERSION 98 MODEL 580GX-581GX-690GX-790GX
 CHARIOT PORT-IRRIGATEUR VERSION 98 MODÈLE 580GX-581GX-690GX-790GX
 WAGEN FÜR BEWÄSSERUNGSAPPARAT VERSION 98 MOD. 580GX-581GX-690GX-790GX
 RIJDEND ONDERSTEL VOOR SPROEIER MODEL 98 TYPE 580GX-581GX-690GX-790GX

Pag.28
 Rev.01
 11/2010

Esploso CARR5803
CARRELLO 581-690-790 GX

Note

POS. Pos. Pos. Pos.	PAG. Page Seite Pagina	DENOMINAZIONE Appellation Denomination Bezeichnung Denombrocion	U.M.	N.PEZZI N.Pieces N.Pieces N.Teile N.Plez	CODICE Code Code Code Codigo	NOTE Annotation Note Aufzeichnung Nota
1	28	CENTRAL BODY FOR TROLLEY 581 GX	n	1,00	58020189Z	
2	28	DRAWBAR FOR TROLLEY 581 GX	n	1,00	580201810Z	
3	28	SUPPORTS FOR LEGS ON TROLLEYB 581 GX	n	2,00	58020185Z	
4	28	TROLLEY 581 GX LEG	n	2,00	58020186Z	
5	28	FRAME FOR LEGS SUPPORT TROLLEY 581 GX	n	1,00	58020184Z	
6	28	FIXING PLATES FOR SUPPORTING FRAME TROLLEY 581 GX	n	2,00	58020181Z	
7	28	PIN FOR TROLLEY ADJUSTING D.14	n	5,00	5800042Z	
8	28	PIN COOP 03 AMA	n	5,00	COOP03AMA	
9	28	COUNTERBALANCE WEIGHT	kg	43,00	BILLETTE	ml.0,30 x 2
10	28	WHEEL AXLE BALILLA 35Z35X200	n	2,00	5800103	
11	28	WHEEL 125 D70 15	n	2,00	5800104	PN
12	28	GUARNIZIONE Ø 80 FERRARI	n	1,00		C.13
13	28	D.80 FEMALE JOINT WITH HOSE TAIL	n	1,00	580201811Z	C.12
14	28	CLAMP GOLD 86-95	n	2,00	5800137	
15	28	HOSE ROMAGNA 15 80X93	m	1,10	5500102	
16	28	TAIL FOR 581 TROLLEY	n	1,00	58020188Z	
17	28	PE HOSE ENTRANCE	n	1,00	5500033	GR - Ø PE
18	28	SHAFT FOR WHEELS ROTATION ON TROLLEY 581 GX	n	1,00	58020187Z	
19	28	SUPPORT FOR FRONT WHEEL ON TROLLEY 581 GX	n	1,00	58020183Z	
20	28	SUPPORT FOR WHEEL GROUP TROLLEY 581 GX	n	1,00	58020182Z	
21	28	TROLL.WHEEL16.650X8"RIGATA 4PR	n	1,00	5800149	
22	28	COUPLING FOR SYNKRO GUN 2"1/2	n	1,00	5700039Z	Ø PE 82
22	28	COUPLING FOR RANGER GUN 3"	n	1,00	5800044Z	Ø PE 90-100-110
23	28	RUBBER UNIVERSAL SEAL	n	1,00	5800072	I.58000461
24	28	KIT ASYMMETRIC TROLLEY	n	1,00	0140004Z	OP
25	28	LIFTING DEVICE FOR TROLLEY	n	1,00	5800064Z	OP
26	28	CARPENTRY FOR TROLLEY 581 GX	n	1,00	5802018	

CONTINUA

Note

RM SPA
Via Provinciale per Cremona 41 - Fraz. San Quirico
43010 Trecasali (PR)
Tel 0521 872221 - Fax 0521 874027
Cod. Fisc e Part.IVA 00153210349

Controllo Esploso **10/0000029**
Data Creazione **30/11/2010**
Data Ult. Modifica **30/11/2010 Ora 09:29**

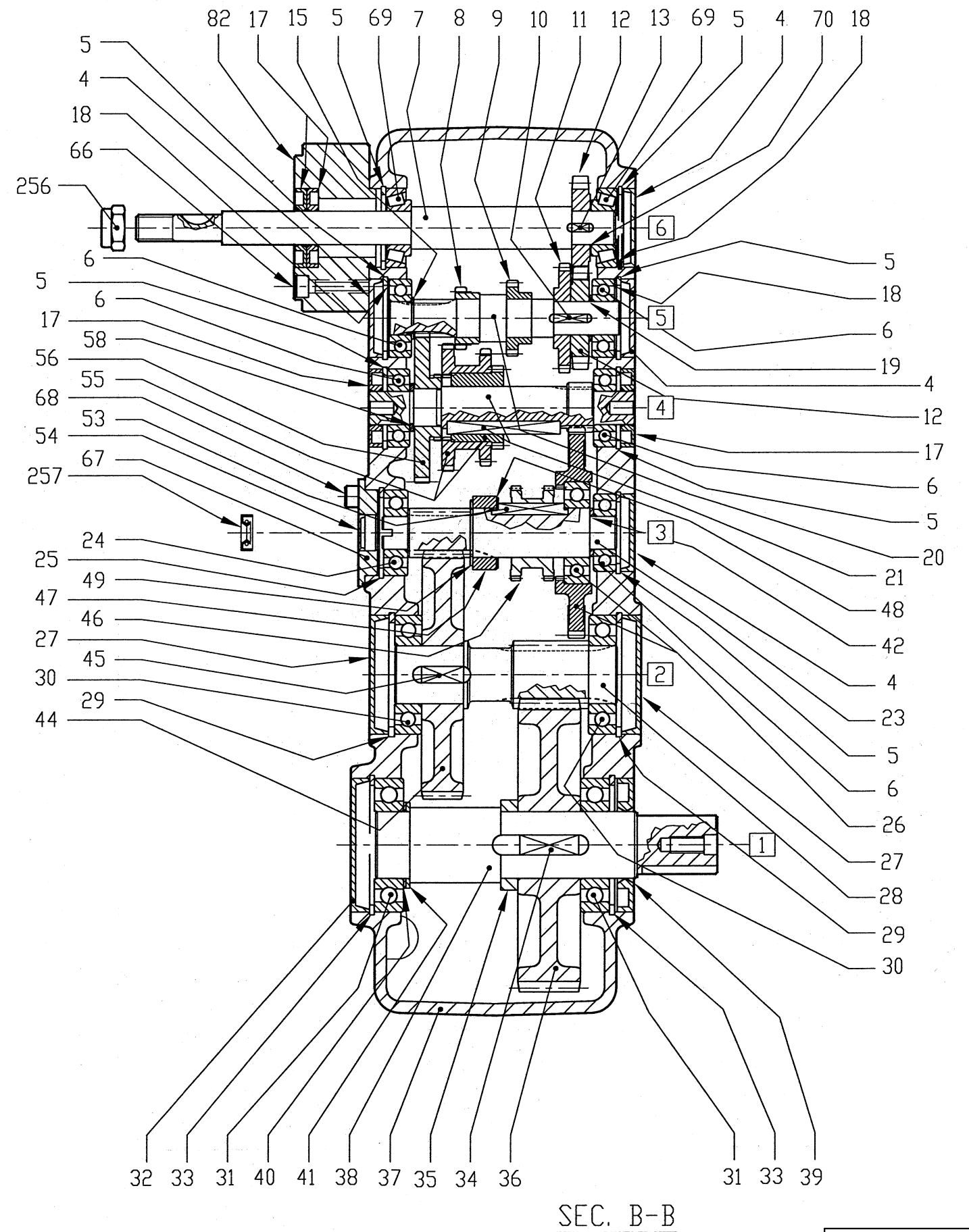
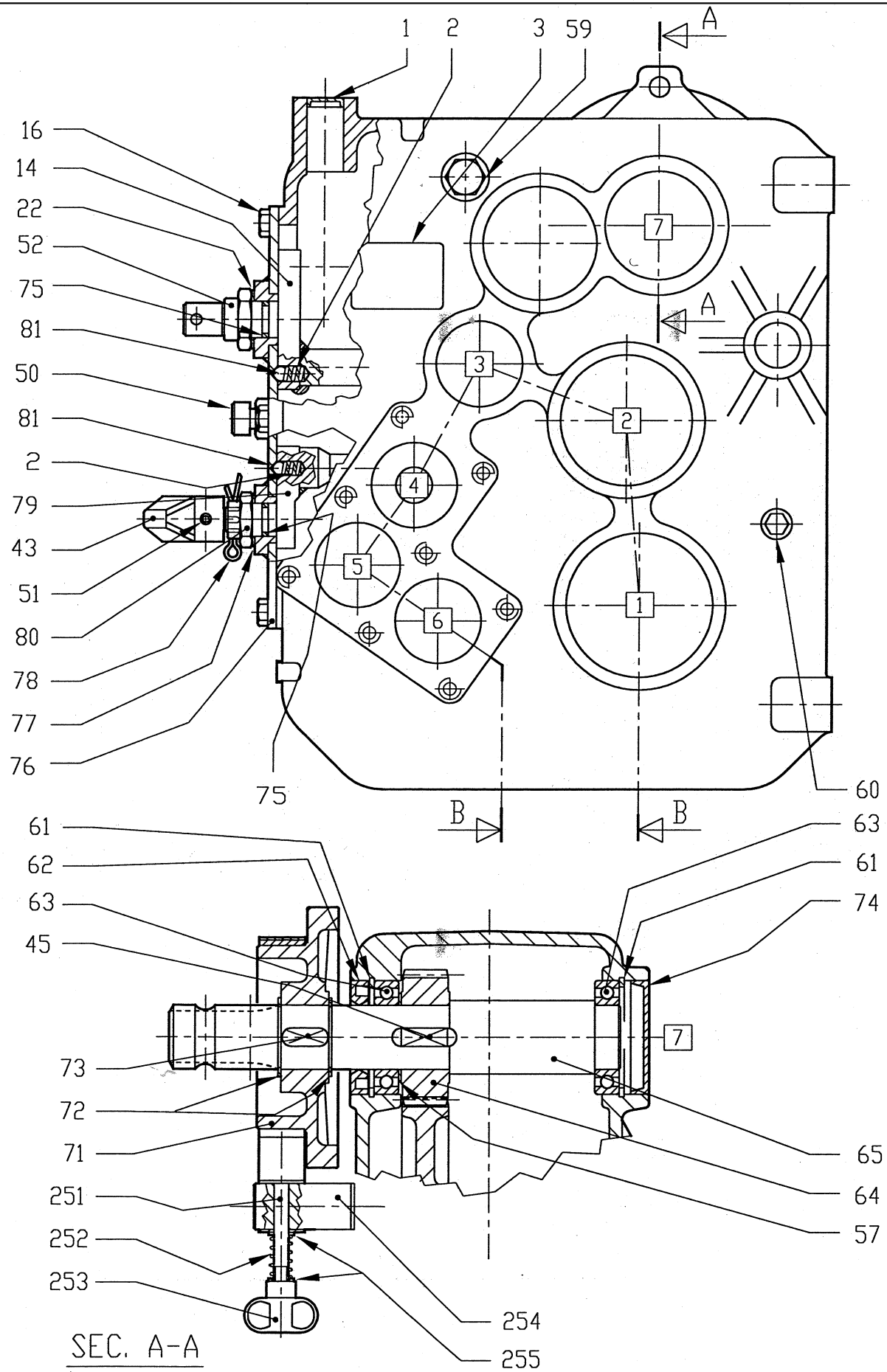
Stampa del 25/11/2011

Esploso CARR5803
CARRELLO 581-690-790 GX

Note

POS. Pos. Pos. Pos.	PAG. Page Page Seite Pagina	DENOMINAZIONE Appellation Denomination Bezeichnung Denombrocion	U.M.	N.PEZZI N.Pieces N.Pieces N.Teile N.Plez	CODICE Code Code Kode Codigo	NOTE Annotation Note Aufzeichnung Nota	
26	28	POS. 1-2-3-4-5-6-13-16-18-19-20					
27	28	581-690-790 GX TROLLEY	n	1,00	CARR5803		
27	28	POS.1-2-3-4-5-6-7-8-9-10-11-12-13-14-15-18-19-20-21					

Note



Cod. 8900101

RM S.p.A.
S. QUIRICO DI TRECASALI
(PARMA)-ITALIA

RIDUTTORE D744A PER 790GX-890GX-990GX-900EVO rif.744.057.00
D744A REDUCER FOR 790GX-890GX-990GX-900EVO ref.744.057.00
REDUCTEUR D744A POUR 790GX-890GX-990GX-900EVO réf.744.057.00
UNTERSETZER D744A FÜR 790GX-890GX-990GX-900EVO bez.744.057.00
GEAR D744A VOOR 790GX-890GX-990GX-900EVO ref.744.057.00

Pag.21

Rev.00
11/2010

Esploso	8900101
	RIDUTTORE COMER D744 A
Note	COMER 9.744.057.00

POS. Pos. Pos. Pos.	PAG. Page Seite Pagina	DENOMINAZIONE Appellation Denomination Bezeichnung Denombrocion	U.M.	N.PEZZI N.Pieces N.Pieces N.Teile N.Plez	CODICE Code Code Code Codigo	NOTE Annotation Note Aufzeichnung Nota
1	21	PLUG FOR HOLE COMER	n	1,00	RC01202069041	
2	21	COMER SPRING	n	2,00	RC0721710100	
3	21	PLATE COMER	n	1,00	RC0124710100	
4	21	PLUG 47X7 COMER	n	4,00	RC87001362	
5	21	COMER RING	n	7,00	RC85201290	
6	21	BEARING CLB 6204 COMER	n	5,00	RC80100405	
7	21	INLET COMER SHAFT	n	1,00	RC0744240100	
8	21	CYLIND.PINION COMER	n	1,00	RC0735500100	
9	21	CYLIND.PINION COMER	n	1,00	RC0744501500	
10	21	TONGUE UNI6604 COMER	n	1,00	RC84101617	
11	21	CYLIND.GEAR COMER	n	1,00	RC0744600700	
12	21	COMER GEAR	n	2,00	RC0744601800	
13	21	TONGUE UNI6604 COMER	n	1,00	RC84101511	
14	21	LEVER COMER	n	1,00	RC2744701800	
15	21	COMER RING	n	1,00	RC85100261	
16	21	SCREW ZN TE UNI5739 COMER	n	6,00	RC81101676	
17	21	COMER BA RING	n	4,00	RC87301395	
18	21	SPACER COMER	n	3,00	RC0457750000	
19	21	COMER SPACER	n	1,00	RC0744710400	
20	21	COMER PINION SHAFT	n	1,00	RC0744501100	
21	21	PINION SHAFT + TONGUE	n	1,00	RC2744502900	
22	21	SPACER COMER	n	1,00	RC0104751000	
23	21	COMER PINION SHAFT	n	1,00	RC0744503100	
24	21	BEARING CLB 6304 COMER	n	1,00	RC80100035	
25	21	COMER RING	n	1,00	RC85200038	
26	21	GEAR COMER	n	1,00	RC2744601000	
27	21	PLUG 72X10 COMER	n	2,00	RC87000744	

CONTINUA

Note

Esploso	8900101
	RIDUTTORE COMER D744 A
Note	COMER 9.744.057.00

POS. Pos. Pos. Pos.	PAG. Page Seite Pagina	DENOMINAZIONE Appellation Denomination Bezeichnung Denombrocion	U.M.	N.PEZZI N.Pieces N.Pieces N.Teile N.Plez	CODICE Code Code Code Codigo	NOTE Annotation Note Aufzeichnung Nota
28	21	Z12 COMER SHAFT	n	1,00	RC0744500400	
29	21	COMER RING	n	2,00	RC85200131	
30	21	BEARING CLB 6207 COMER	n	2,00	RC80100870	
31	21	BEARING 6208 CLB COMER	n	2,00	RC80100871	
32	21	PLUG 80X10 COMER	n	1,00	RC87000790	
33	21	O-RING	n	2,00	RC85200030	
34	21	TONGUE COMER B	n	1,00	RC84100966	
35	21	COMER SPACER	n	1,00	RC0285710200	
36	21	GEAR Z62 M2.75	n	1,00	RC0744600000	
37	21	COMER BOX	n	1,00	RC0744030200	
38	21	OUTLET SHAFT	n	1,00	RC0744300400	
39	21	COMER RING BA 40X80X10	n	1,00	RC87300027	
40	21	SPES. REG. COMER	n	1,00	RC024475100	
41	21	SPES. REG. COMER	n	1,00	RC210244752500	
42	21	SPACER COMER	n	1,00	RC0742751000	
43	21	COMER HANDLE	n	1,00	RC1721700200	
44	21	CYLIND.GEAR COMER	n	1,00	RC0744600100	
45	21	COMER TONGUE	n	2,00	RC84100992	
46	21	COMER BUSH	n	1,00	RC0744700000	
47	21	COMER SPACER	n	1,00	RC0744710600	
48	21	SPACER COMER	n	1,00	RC0102751000	
49	21	COMER RING	n	1,00	RC85101082	
50	21	COMER PLUG	n	1,00	RC86700269	
51	21	COMER PIN	n	1,00	RC84500934	
52	21	COMER NUT	n	1,00	RC0744710500	
53	21	COMER TONGUE	n	1,00	RC0744711200	
54	21	PLUG 22X5 COMER	n	1,00	RC87001343	

CONTINUA

Note

Esploso 8900101
RIDUTTORE COMER D744 A
Note COMER 9.744.057.00

POS. Pos. Pos. Pos.	PAG. Page Seite Pagina	DENOMINAZIONE Appellation Denomination Bezeichnung Denombrocion	U.M.	N.PEZZI N.Pieces N.Pieces N.Teile N.Plez	CODICE Code Code Code Codigo	NOTE Annotation Note Aufzeichnung Nota
55	21	COMER GEARS	n	1,00	RC2744500700	
56	21	CYLIND.GEAR COMER	n	1,00	RC0744600300	
57	21	SPACER 48.0X35.3X1.3	n	1,00	RC0259751300	
58	21	SPACER 32.0X20 COMER	n	1,00	RC0104752500	
59	21	COMER GAUGE	n	1,00	RC86400273	
60	21	COMER PLUG	n	1,00	RC86500006	
61	21	COMER RING	n	2,00	RC85200007	
62	21	COMER RING	n	1,00	RC87300003	
63	21	BEARING CLB 6007 COMER	n	2,00	RC80100000	
64	21	CYLIND.PINION COMER	n	1,00	RC0744500200	
65	21	PTO SHAFT 1" 3/8 Z6	n	1,00	RC0744320000	
66	21	SCREW TCEI UNI5931 M8X40 8.8	n	4,00	RC81201723	
67	21	COVER FOR COMER TURNS-COUNTER	n	1,00	RC0735130000	
68	21	SCREW ZN TCEI UNI5931 COMER	n	2,00	RC81201718	
69	21	BEARING CLA 30204 COMER	n	2,00	RC80902320	
70	21	SPE.REG. 32.0X20.3X0.3	n	1,00	RC0104750300	
71	21	TAMBURO FRENO	n	1,00	RC0743700500	
72	21	COMER RING	n	2,00	RC85100005	
73	21	TONGUE UNI6604 COMER	n	1,00	RC84100232	
74	21	CAPPELLOTTO 62X10	n	1,00	RC87000743	
75	21	SEAL O-RING COMER	n	2,00	RC87600191	
76	21	COMER COVER	n	1,00	RC2744132100	
77	21	COMER SPRING	n	1,00	RC85501316	
78	21	UNI1336 COMER PIN	n	1,00	RC84700760	
79	21	LEVER FOR COMER	n	1,00	RC2744700200	
80	21	D.E.INT. UNI5594 COMER	n	1,00	RC82200997	
81	21	COMER BALL	n	2,00	RC85900166	

CONTINUA

Note

RM SPA
 Via Provinciale per Cremona 41 - Fraz. San Quirico
 43010 Trecasali (PR)
 Tel 0521 872221 - Fax 0521 874027
 Cod. Fisc e Part.IVA 00153210349

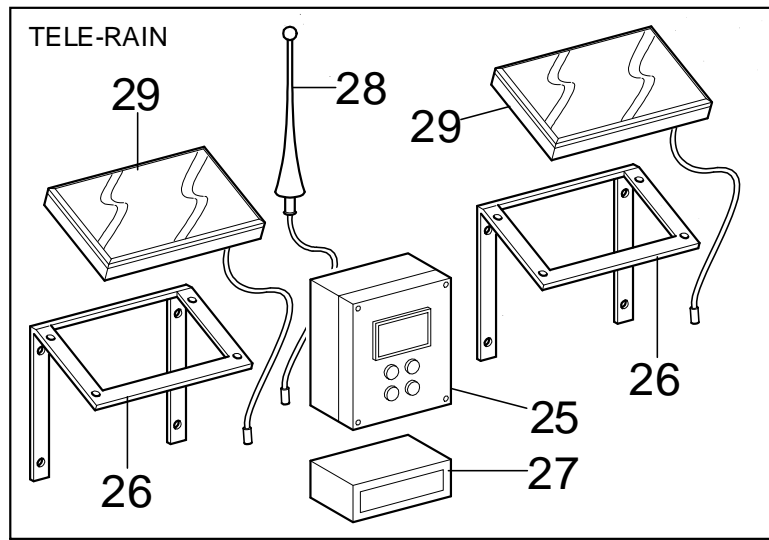
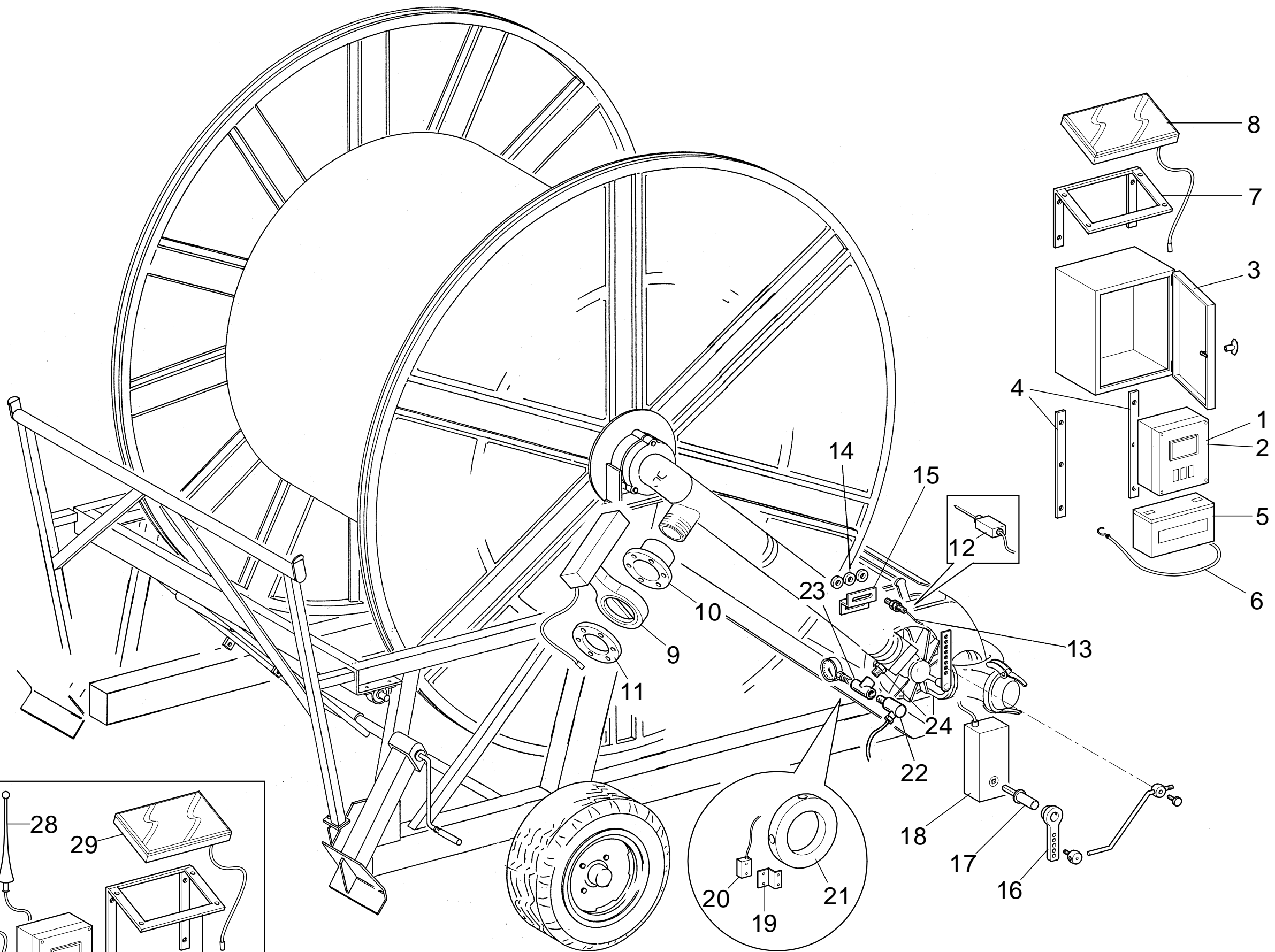
Controllo Esploso 11/0000006
 Data Creazione 28/01/2011
 Data Ult. Modifica 30/09/2011 Ora 12:09

Stampa del 01/12/2011

Esploso 8900101
RIDUTTORE COMER D744 A
 Note **COMER 9.744.057.00**

POS. Pos. Pos. Pos.	PAG. Page Seite Pagina	DENOMINAZIONE Appellation Denomination Bezeichnung Denombrocion	U.M.	N.PEZZI N.Pieces N.Pieces N.Teile N.Plez	CODICE Code Code Kode Codigo	NOTE Annotation Note Aufzeichnung Nota
82	21	COMER FLANGE	n	1,00	RC0744700800	
251	21	COMPLETE BRAKE BAND	n	1,00	RC2744700600	i5800143
252	21	SPRING FOR COMER BRAKE	n	1,00	RC0735710300	
253	21	COMER HANDLE	n	1,00	RC89101713	
254	21	PIVOT FOR STOP TOOTH	n	1,00	RC0735710100	
255	21	PART FOR SCREWS UNI6592 COMER	n	2,00	RC83200439	
256	21	COMER BOLD	n	1,00	RC82600868	
257	21	COMER RING	n	1,00	RC87301396	

Note



Esploso

PROGRAMMATORE NORTOFT CONSTANT RAIN 7 - PROGRAM RAIN 10

Note

POS. Pos. Pos. Pos. Pos.	PAG. Page Seite Pagina	DENOMINAZIONE Appellation Denomination Bezeichnung Denombrocion	U.M.	N.PEZZI N.Pieces N.Pieces N.Teile N.Plez	CODICE Code Code Code Codigo	NOTE Annotation Note Aufzeichnung Nota
1	46	CONSTANT RAIN 7 NORTOFT	n	1,00	0200101	
2	46	PROGRAM RAIN 10 NORTOFT	n	1,00	0200114	
3	46	PLASTIC BOX 400X300X180	n	1,00	0200109	
4	46	STAFFE FISSAGGIO SCATOLA	n	2,00		
5	46	BATTERY PANASONIC 12V-7,2AH	n	1,00	0200111	
6	46	ELAST.ROPE FOR HOOKS A2000200	m	0,50	070123	
7	46	FRAME FOR SOLAR PANNEL 1,8MM	n	1,00	0200110	
8	46	SOLAR PANNEL 12V 1,8W INCL. CABLE	n	1,00	0200107	
9	46	DA 80/14/100, 100MM MOTORISED VALVE	n	1,00	0200108	4" (DN100)
9	46	MOTORISED VALVE 3" DN80	n	1,00	0200135	3" (DN80)
9	46	MOTORISED BALL VALVE 20 SEC.	n	1,00	0200132	2"
10	46	FLANGED DISCHARGE PIPE FOR VALVE	n	1,00	0200043Z	3" - C.11
10	46	2" DISCHARGE PIPE	n	1,00	0200044Z	2" - C.11
10	46	DN100 FLANGE FOR DISCH. VALVE	n	1,00	0200001	
11	46	FLANGE DN 100 PN16 HOLE D.108	n	1,00	FLANGEDN100C	GR. - C.10
12	46	FINECORSA A STELO + BOCCHETTONE	n	1,00	5810109+5810110	
13	46	SENSOR TYPE 7 M10X50 NORTOFT	n	1,00	0200104	OP
14	46	MAGNET D.20-D.4,5X10 NORTOFT	n	3,00	0200105	OP
15	46	SUPPORT NORTOFT DOUBLE SENSOR	n	1,00	0200004	OP
16	46	GALVANISED BY-PASS LEVER	n	1,00	0200003Z	
17	46	SHAFT SQUARE 14X14MM NOT MOUNTED	n	1,00	0200002	
18	46	DA 80/14 ACTUATOR	n	1,00	0200106	
19	46	SUPPORT NORTOFT DOUBLE SENSOR	n	1,00	0200004	
20	46	SENSOR TYPE 5 DOUBLE SENSOR	n	1,00	0200102	
21	46	DISCO 4 MAGNETI + N. 4 MAGNETI	n	1,00	0200103+5800505	
22	46	PRESSURE SWITCH PMM 10 A 18 K	n	1,00	0200112	
23	46	T 1/8" F+F+F JOINT	n	1,00	5800327	

CONTINUA

Note

RM SPA

Via Provinciale per Cremona 41 - Fraz. San Quirico
 43010 Trecasali (PR)
 Tel 0521 872221 - Fax 0521 874027
 Cod. Fisc e Part.IVA 00153210349

Controllo Esploso **10/0000037**
 Data Creazione **02/12/2010**
 Data Ult. Modifica **25/11/2011 Ora 16:57**

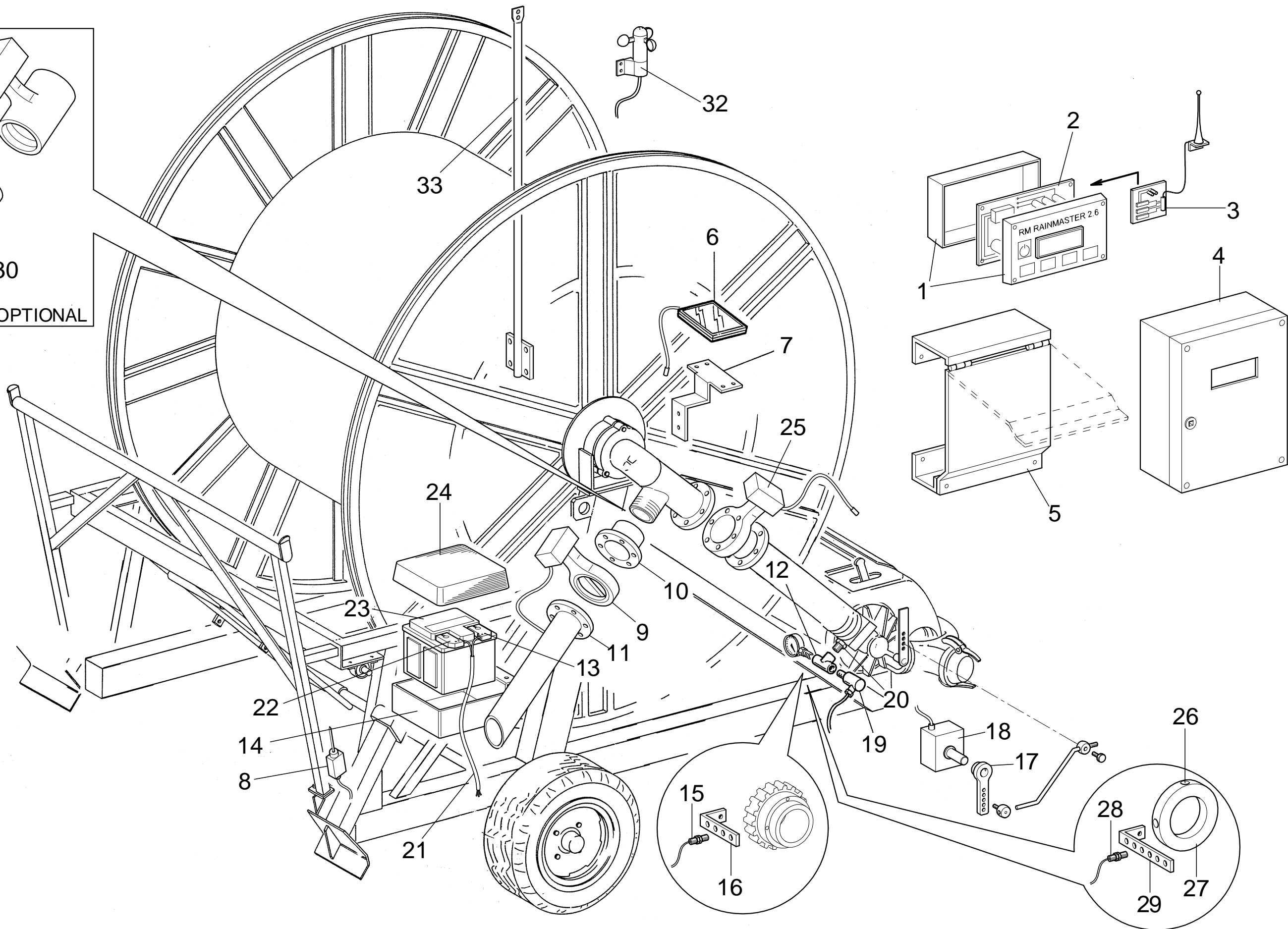
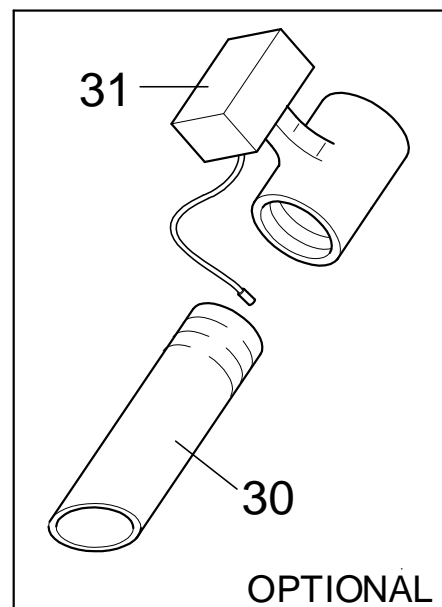
Stampa del 25/11/2011

Esploso**PROGRAMMATORE NORTOFT CONSTANT RAIN 7 - PROGRAM RAIN 10**

Note

POS. Pos. Pos. Pos.	PAG. Page Page Seite Pagina	DENOMINAZIONE Appellation Denomination Bezeichnung Denombrocion	U.M.	N.PEZZI N.Pieces N.Pieces N.Teile N.Plez	CODICE Code Code Kode Codigo	NOTE Annotation Note Aufzeichnung Nota
24	46	JOINT 1/8"-1/8"	n	1,00	5800328	
25	46	TELE RAIN 11 WITH ANTENNA	n	1,00	0200115	OP
26	46	SOLAR PANNEL 12V 1,8W INCL. CABLE	n	1,00	0200107	OP
27	46	SIEMENS MODEM TC 35	n	1,00	0200116	OP
28	46	ANTENNA TELEFONICA	n	1,00		OP-C.25
29	46	SOLAR PANNEL 12V 1,8W INCL. CABLE	n	2,00	0200107	OP

Note



RM S.p.A.
S. QUIRICO DI TRECASALI
(PARMA)-ITALIA

PROGRAMMATORE RM RAINMASTER 2.6/RAINSTAR 160
PROGRAMMER RM RAINMASTER 2.6/RAINSTAR 160
PROGRAMMEUR RM RAINMASTER 2.6/RAINSTAR 160
PROGRAMMIEREINHEIT RM RAINMASTER 2.6/RAINSTAR 160
PROGRAMMEUR RM RAINMASTER 2.6/RAINSTAR 160

Pag.110

Rev.01

11/2010

Esploso

PROGRAMMATORE RAINMASTER 2.6 - RAINSTAR 160

Note

POS. Pos. Pos. Pos.	PAG. Page Seite Pagina	DENOMINAZIONE Appellation Denomination Bezeichnung Denombrocion	U.M.	N.PEZZI N.Pieces N.Pieces N.Teile N.Plez	CODICE Code Code Kode Codigo	NOTE Annotation Note Aufzeichnung Nota
1	110	RAINSTAR STAINL.STEEL COVER	n	1,00	0200127	C.2
2	110	RAINSTAR 260 CONTROL PANEL	n	1,00	0200128	C.1
2	110	RAINSTAR 160 CONTROL PANEL	n	1,00	0200123	C.1
3	110	GSM ELECTR. BOARD WITH ANTENNA	n	1,00	0200130	OP
4	110	COVER WITH KEY FOR PROGRAMMER	n	1,00	7000074	OP
5	110	RAINSTAR STAINL.STEEL COVER	n	1,00	0200127	
6	110	SOLAR PANEL 20902076	n	1,00	5800332	OP
7	110	SOLAR PANEL SUPPORT	n	1,00	7000082Z	OP
8	110	FINECORS A STELO + BOCCHETTONE	n	1,00	5810109+5810110	
9	110	MOTORISED VALVE 3" DN80	n	1,00	0200135	
9	110	MOTOR VALVE 20 SEC. STARTEC	n	1,00	0200129	
10	110	FLANGIA DN 100 CON MANICOTTO FILETTATO	n	1,00	FLANGEDN100C+MA NFIL89	OP
10	110	FLANGIA DN80 CON MANFIL 3"	n	1,00		C.11-OP
11	110	FLANGE DN 100 PN16 HOLE D.108	n	1,00	FLANGEDN100C	
11	110	FLANGED DISCHARGE PIPE FOR VALVE	n	1,00	0200043Z	C.10 - OP
12	110	T 1/8" F+F+F JOINT	n	1,00	5800327	
13	110	"+" BATTERY HOLDFAST	n	1,00	5800324	
14	110	BATTERY CONTAINER	n	1,00	7000081	
15	110	SPECIAL SENSOR 8 MM.	n	1,00	0200124	C.16 SOLO/ONLY POST-MONTAGGIO
16	110	SUPPORTO SENSORE	n	1,00		C.15 SOLO/ONLY POST-MONTAGGIO
17	110	GALVANISED BY-PASS LEVER	n	1,00	0200003Z	
18	110	MOTOGERABOX 12 VPC STARTEC	n	1,00	0200125	
19	110	PRESSURE SWITCH 1/4" STARTEC	n	1,00	0200126	
20	110	JOINT 1/8"-1/8"	n	1,00	5800328	
21	110	FEEDING CABLE	n	1,00	5800321	
22	110	"-" BATTERY HOLDFAST	n	1,00	5800325	
23	110	BATTERY 12V 45 AH	n	1,00	5800326	

CONTINUA

Note

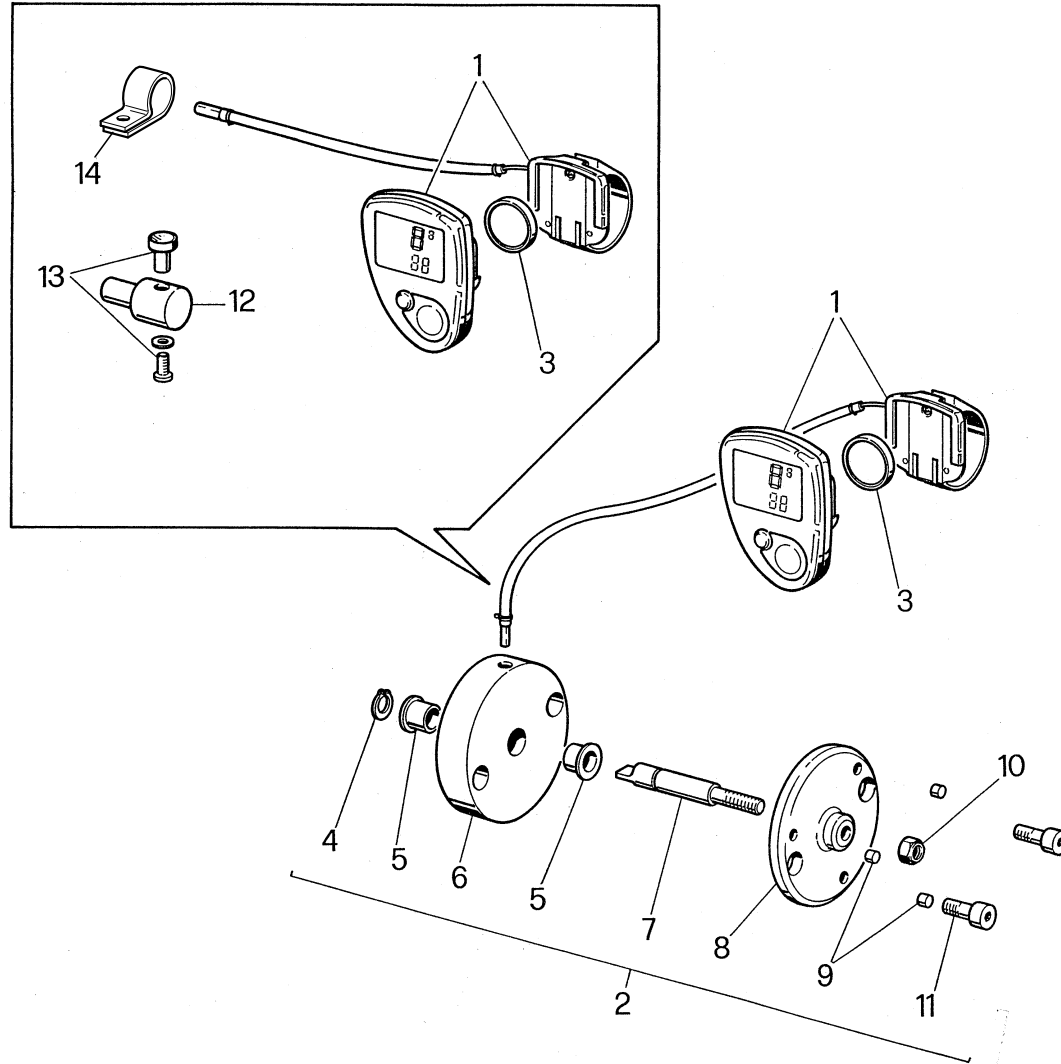
Esploso

PROGRAMMATORE RAINMASTER 2.6 - RAINSTAR 160

Note

POS. Pos. Pos. Pos.	PAG. Page Page Seite Pagina	DENOMINAZIONE Appellation Denomination Bezeichnung Denombrocion	U.M.	N.PEZZI N.Pieces N.Pieces N.Teile N.Plez	CODICE Code Code Kode Codigo	NOTE Annotation Note Aufzeichnung Nota
24	110	BATTERY COVER	n	1,00	8900049	
25	110	MOTOR VALVE 20 SEC. STARTEC	n	1,00	0200129	OP
26	110	MAGNET DIAM. 4 X 3	n	4,00	5800505	
27	110	DISK FOR GEAR Ø90X10MM	n	1,00	0200103	
28	110	RUN END SENSOR WITH MAGNET	n	1,00	5800329	C.29
29	110	SUPPORTO SENSORE	n	1,00		C.28
30	110	2" DISCHARGE PIPE	n	1,00	0200044Z	2"- OP
31	110	MOTORISED BALL VALVE 20 SEC.	n	1,00	0200132	OP
32	110	SUPPORTO ANEMOMETRO	n	1,00		OP
33	110	ANEMOMETER WITH CABLE	n	1,00	0200137	op

Note



RM S.p.A.
 S. QUIRICO DI TRECASALI
 (PARMA)-ITALIA

TACHIMETRO ELETTRONICO "VDO EURO/SPRINT"
ELECTRONIC SPEEDOMETER "VDO EURO/SPRINT"
TACHYMÈTRE ÉLECTRONIQUE "VDO EURO/SPRINT"
ELEKTRONENGESCHWINDIGKEITSMESSER "VDO EURO/SPRINT"
ELEKTRONISCH TOERENTELLER "VDO EURO/SPRINT"

Esploso

TACHIMETRO VDO EURO/SPRINT

Note

POS. Pos. Pos. Pos.	PAG. Page Seite Pagina	DENOMINAZIONE Appellation Denomination Bezeichnung Denombrocion	U.M.	N.PEZZI N.Pieces N.Pieces N.Teile N.Plez	CODICE Code Code Kode Codigo	NOTE Annotation Note Aufzeichnung Nota
1	22	TACHOMETER CYTEC 05	n	1,00	5800501	C.3+13
2	22	SPEED READER FOR TACHOMETER	n	1,00	5800508	
3	22	WASHER 4 X 10 X 1	n	1,00	5800504	
4	22	SEEGER E 8	n	1,00	5800503	
5	22	BUSH PAF 08075P10	n	2,00	5800502	
6	22	TACHOMETER SENSOR HOLDER	n	1,00	5800052	
7	22	TACHOMETER READER SHAFT	n	1,00	5800054	
8	22	TACHOMETER MAGNETS HOLDER	n	1,00	5800053	
9	22	MAGNET DIAM. 4 X 3	n	3,00	5800505	
10	22	SELF-LOC.NUT M5	n	1,00	5800211	
11	22	VITI TCEI M5x12	n	2,00		
12	22	MAGNET HOLDER	n	1,00	8900034	
13	22	MAGNETE VDO	n	1,00		C.1
14	22	CLAMP ABA D.10	n	1,00	5800507	
15	22	TACHOMETER VDO COMPLETE	n	1,00	TACHVDOEURO	
15	22	MAGNETI - POS.1-2-3				
16	22	TACHOMETER VDO (560-890-990)	n	1,00	TACHVDOSPRINT	
16	22	MAGNETE - POS.1-3-12-13-14				

Note