

Esploso I0560EGXA
MACCHINA IRRIGATRICE SUPER RAIN 560 GX EXPORT

Note

| POS. Pos. Pos. Pos. | PAG. Page Seite Pagina | DENOMINAZIONE Appellation Denomination Bezeichnung Denombrocion | U.M. | N.PEZZI N.Pieces N.Pieces N.Teile N.Plez | CODICE Code Code Code Codigo | NOTE Annotation Note Aufzeichnung Nota |
|------------------------------|---------------------------------|---|------|--|--|--|
| 1 | 71 | CHASSIS RELEVAGE CHARIOT 560 | n | 1,00 | 5600005Z | |
| 2 | 71 | CHASSIS ARRET 560 | n | 1,00 | 5600006Z | |
| 3 | 71 | RESSORT COMPENS.VITESSE 890 | n | 1,00 | 8900048 | |
| 4 | 71 | CABLE DEBRAYAGE AVEC TIRANT | n | 1,00 | 5500025 | RIF.560 |
| 5 | 71 | PIED RELEVAGE CHARIOT | n | 1,00 | 5600023 | |
| 6 | 71 | RULLO PVC GUIDAT. 560-570-581 + N. 2 CUSCINETTI | n | 1,00 | 5700023+5800168 | |
| 7 | 71 | OLIVE SERIE 400 | n | 1,00 | 4000018 | |
| 8 | 71 | SEEGER I 30 | n | 1,00 | 4000113 | |
| 9 | 71 | GRAISSEUR DROIT M6 | n | 1,00 | 5800112 | |
| 10 | 71 | FOURCHE GUIDETUYAU | n | 1,00 | 5600022Z | |
| 11 | 71 | GUIDETUYAU EN FONTE | n | 1,00 | 4000019Z | |
| 12 | 71 | VIS SANS FIN | n | 1,00 | 5600021 | |
| 13 | 71 | CHASSIS COMPENSATEUR VITESSE | n | 1,00 | 5600011Z | |
| 14 | 71 | RESSORT DEBRAYAGE | n | 1,00 | 5700013 | |
| 15 | 71 | BARRE BY-PASS | n | 1,00 | 5600034Z | |
| 16 | 71 | SUPPORT UCP 207 NBR | n | 1,00 | 5500111 | |
| 17 | 71 | PIGNON 1/2"S | n | 2,00 | 5500037 | Z... |
| 18 | 71 | SUPPORT UCFL 206 | n | 2,00 | 5500104 | |
| 19 | 71 | GOUJON D.14 | n | 2,00 | 5800042Z | |
| 20 | 71 | CHAINE 1/2" S SEDIS | m | 2,34 | 5800119 | |
| 21 | 71 | MAILLE JONCT.CHA1.1/2" S | n | 1,00 | 5800120 | |
| 22 | 71 | PROTECTION CHAINE | n | 1,00 | 5600024 | |
| 23 | 71 | BEQUILLE ARRIERE 560 | n | 2,00 | 5600007Z | |
| 24 | 71 | GOUJON SUPPORT ROULEAU | n | 1,00 | 5500049 | |
| 25 | 71 | MANIVELLE REDUCTEUR | n | 1,00 | 5800041 | |
| 26 | 71 | DENTE D'ARRET 560 | n | 1,00 | 5600029Z | GR |
| 27 | 71 | GOUJON SUPPORT ROUES | n | 1,00 | 5800043Z | |

CONTINUA

Note

Esploso I0560EGXA
MACCHINA IRRIGATRICE SUPER RAIN 560 GX EXPORT

Note

| POS. Pos. Pos. Pos. | PAG. Page Seite Pagina | DENOMINAZIONE Appellation Denomination Bezeichnung Denombrocion | U.M. | N.PEZZI N.Pieces N.Pieces N.Teile N.Plez | CODICE Code Code Kode Codigo | NOTE Annotation Note Aufzeichnung Nota |
|------------------------------|---------------------------------|---|------|--|--|--|
| 28 | 71 | TOURELLE U01 N070 | n | 1,00 | 5500107 | |
| 29 | 71 | CHASSIS INFERIEUR | n | 1,00 | 5600003 | F.56060 |
| 29 | 71 | CHASSIS INFERIEUR | n | 1,00 | 5601003Z | D.56061 |
| 30 | 71 | ESSIEU 4 COL.40X40X1450 | n | 1,00 | 5600105 | |
| 31 | 71 | RUOTE 195/70-14 SU CERCHIO 5JX + DISCHI | n | 2,00 | 5600107+5600040 | PN |
| 32 | 71 | RACC.MALE D.76 BAUER | n | 2,00 | 5701109 | |
| 33 | 71 | BANDES GOLD 73-79 | n | 4,00 | 5500113 | |
| 33 | 71 | BANDE 67/73 | n | 4,00 | 5500121 | |
| 33 | 71 | BANDE GOLD 63-68 | n | 4,00 | 5500122 | |
| 34 | 71 | TUBO POLIETILENE | n | 1,00 | TMD0... | Ø PE |
| 35 | 71 | IMBOCCATURA TUBO POLIETILENE | n | 1,00 | 5500033+TRONCHD60 | Ø PE |
| 36 | 71 | ETAU POUR CABLE D.4 | n | 1,00 | 5500131 | |
| 37 | 71 | BOBINE | n | 1,00 | 5600001 | C.38 |
| 38 | 71 | COURONNE DENTEE' | n | 7,00 | 5600013 | GR |
| 39 | 71 | PROTECTION COURONNE DENTEE | n | 1,00 | 5600032Z | |
| 40 | 71 | OEIL ATTELAGE 560 | n | 1,00 | 5601004Z | D.56061 |
| 40 | 71 | CROCHET DE TRAINAGE | n | 1,00 | 5600004 | F.56060 |
| 41 | 71 | PIED APPUI TIMON | n | 1,00 | 5600009 | |
| 42 | 71 | TACHYMETRE VDO COMPLET | n | 1,00 | TACHVDOEURO | V.PAG.22-F.56010 |
| 43 | 71 | CAPPELOTTO DI CHIUSURA 22x4 | n | 1,00 | | F.56011 |
| 44 | 71 | TACHYMETRE VDO (560-890-990) | n | 1,00 | TACHVDOSPRINT | V.PAG.22-D.56011 |
| 45 | 71 | BAGUE INOX DIAM.70 | n | 1,00 | 5600028 | |
| 46 | 71 | FIXATION TIRANT BY-PASS | n | 1,00 | 5800058Z | |
| 47 | 71 | JOINT CORTECO 8.22.7 | n | 1,00 | 5800140 | F.56010 |
| 48 | 71 | PIGNON Z10 POUR REDUCTEUR | n | 1,00 | 5500016 | |
| 49 | 71 | EPAISSEUR TURBINE | n | 1,00 | 5600036 | F.56013 |
| 50 | 71 | REDUCTEUR COMER D 743 A | n | 1,00 | 5600101 | V.PAG.34 |

CONTINUA

Note

Esploso I0560EGXA
MACCHINA IRRIGATRICE SUPER RAIN 560 GX EXPORT

Note

| POS. Pos. Pos. Pos. | PAG. Page Seite Pagina | DENOMINAZIONE Appellation Denomination Bezeichnung Denombrocion | U.M. | N.PEZZI N.Pieces N.Pieces N.Teile N.Plez | CODICE Code Code Code Codigo | NOTE Annotation Note Aufzeichnung Nota |
|------------------------------|---------------------------------|---|------|--|--|--|
| 51 | 71 | BOUCHON GJ 3/8" | n | 1,00 | 5500103 | |
| 52 | 71 | CHASSIS SUPERIEUR 560 | n | 1,00 | 5600002Z | |
| 53 | 71 | FREIN REDUCTEUR COMER | n | 1,00 | 5800143 | 1.2.744.7006.00 |
| 54 | 71 | LEVIER MARCHE/ARRET | n | 1,00 | 5600039Z | |
| 55 | 71 | POIGNEE INT.10X25 | n | 1,00 | 5800109 | |
| 56 | 71 | FEMELLE BAUER D.76 | n | 1,00 | 5701106 | GR |
| 57 | 71 | TUBAZIONE ENTRATA CON FLANGIA PORTATENUTA | n | 1,00 | 5600025+5500010 | |
| 58 | 71 | JOINT UM 70.90.10 | n | 1,00 | 5500106 | |
| 59 | 71 | SEEGER E 70 | n | 1,00 | 5500110 | |
| 60 | 71 | ROULEMENT 6214 | n | 1,00 | 5500108 | |
| 61 | 71 | SUPPORT ROULEMENT 6214 | n | 1,00 | 5500011 | |
| 62 | 71 | BANDE GOLD 86-95 | n | 2,00 | 5800137 | |
| 63 | 71 | TUYAU ROMAGNA 15 80X93 | m | 0,43 | 5500102 | |
| 64 | 71 | CHEVALET CARRE' M10 | n | 4,00 | 5400113 | |
| 65 | 71 | SEEGER E35 | n | 1,00 | 5500130 | |
| 66 | 71 | MANOMETRE 1/4" | n | 1,00 | 5800115 | |
| 67 | 71 | LEVIER BY-PASS | n | 1,00 | 5600035Z | |
| 68 | 71 | POMMEAU D.25 M6X15 | n | 1,00 | 2000105 | |
| 69 | 71 | LEVIER BY-PASS | n | 1,00 | 4010021Z | |
| 70 | 71 | ENTREE TURBINE 560-570 | n | 1,00 | 5600026Z | |
| 71 | 71 | BOUCHON F 2" | n | 1,00 | 5800121 | |
| 72 | 71 | JOINT CAOUTHCHOUCAU BAUER 76 | n | 2,00 | 5701111 | |
| 73 | 71 | TUYAU ROMAGNA 15 80X93 | m | 4,00 | 5500102 | |
| 74 | 71 | PROTECTION CHAINE COTE' INTER. | n | 2,00 | 5500048 | |
| 75 | 71 | BANDE GOLD 86-95 | n | 4,00 | 5800137 | |
| 76 | 71 | RACCORD FILETE' BAUER D.76 | n | 1,00 | 5600027Z | |
| 77 | 71 | PROTECTION TURBINE | n | 1,00 | 5600033 | |

CONTINUA

Note

Esploso I0560EGXA
MACCHINA IRRIGATRICE SUPER RAIN 560 GX EXPORT

Note

| POS. Pos. Pos. Pos. | PAG. Page Seite Pagina | DENOMINAZIONE Appellation Denomination Bezeichnung Denombrocion | U.M. | N.PEZZI N.Pieces N.Pieces N.Teile N.Plez | CODICE Code Code Code Codigo | NOTE Annotation Note Aufzeichnung Nota |
|------------------------------|---------------------------------|---|------|--|--|--|
| 78 | 71 | VIS M5X8 POINTE CONIQUE | n | 1,00 | 4010113 | |
| 79 | 71 | OR 108 | n | 2,00 | 5800213 | |
| 80 | 71 | PIVOT VANNE BYPASS | n | 1,00 | 5600019 | |
| 81 | 71 | ECROU AUTOBL.M5 | n | 1,00 | 5800211 | |
| 82 | 71 | PLAQUE REBASSEE | n | 1,00 | 5600041 | |
| 82 | 71 | PLAQUETTE BY-PASS TURBINE 560 | n | 1,00 | 5600020 | |
| 83 | 71 | VIS M 5X20 AISI 304 | n | 2,00 | 5800210 | |
| 84 | 71 | JOINT RECT.TURBINE T4 | n | 1,00 | 5600010 | |
| 85 | 71 | BUSE CANON MIZAR/SINCRO | n | 1,00 | 5500202 | Ø ... |
| 86 | 71 | ECROU AUTOBLOQ.INOX M 16 | n | 1,00 | 5800209 | |
| 87 | 71 | ROUE DE TURBINE DIAM.180 | n | 1,00 | 5600018 | |
| 88 | 71 | JOINT BT PR/FN 20L VPGF-SX | n | 1,00 | 8900201 | |
| 89 | 71 | COUVERCLE TURBINE AL.DIAM.180 | n | 1,00 | 5600017 | |
| 90 | 71 | VIS TCEI M8X25 INOX | n | 4,00 | 8900203 | |
| 91 | 71 | RONDELLE 8X14 1/16" | n | 4,00 | 8900202 | |
| 92 | 71 | CLAVETTE A' DISQUE 6X9 | n | 1,00 | 5600201 | OP |
| 93 | 71 | OR 3700 | n | 1,00 | 5600205 | |
| 94 | 71 | CORP TURBINE ALL.DIAM.180 | n | 1,00 | 5600016 | |
| 95 | 71 | DADO RUOTE | n | 8,00 | | |
| 96 | 71 | FILTRE RACCORD BAUER 76 | n | 1,00 | 5500050 | OP |
| 97 | 71 | GOIJON COOP 05 AMA | n | 2,00 | COOP05AMA | |
| 98 | 71 | GOIJON COOP 03 AMA | n | 2,00 | COOP03AMA | |
| 99 | 71 | RACCORD TUYAU RILSAN 8X6 1/4" | n | 1,00 | 5800304 | OP |
| 100 | 71 | RACCORD TUYAU RILSAN 8X6 1/8" | n | 1,00 | 5800307 | OP |
| 101 | 71 | RACCORD AFL 245 2"1/2 M + 2" M | n | 1,00 | 5800316 | OP |
| 102 | 71 | MANCHON AFL ART.246 2"1/2 F | n | 1,00 | 5800315 | OP |
| 103 | 71 | VANNE RAF 2" | n | 1,00 | 5800302 | OP |

CONTINUA

Note

RM SPA
Via Provinciale per Cremona 41 - Fraz. San Quirico
43010 Trecasali (PR)
Tel 0521 872221 - Fax 0521 874027
Cod. Fisc e Part.IVA 00153210349

Controllo Esploso **10/0000014**
Data Creazione **19/11/2010**
Data Ult. Modifica **24/01/2011 Ora 11:32**

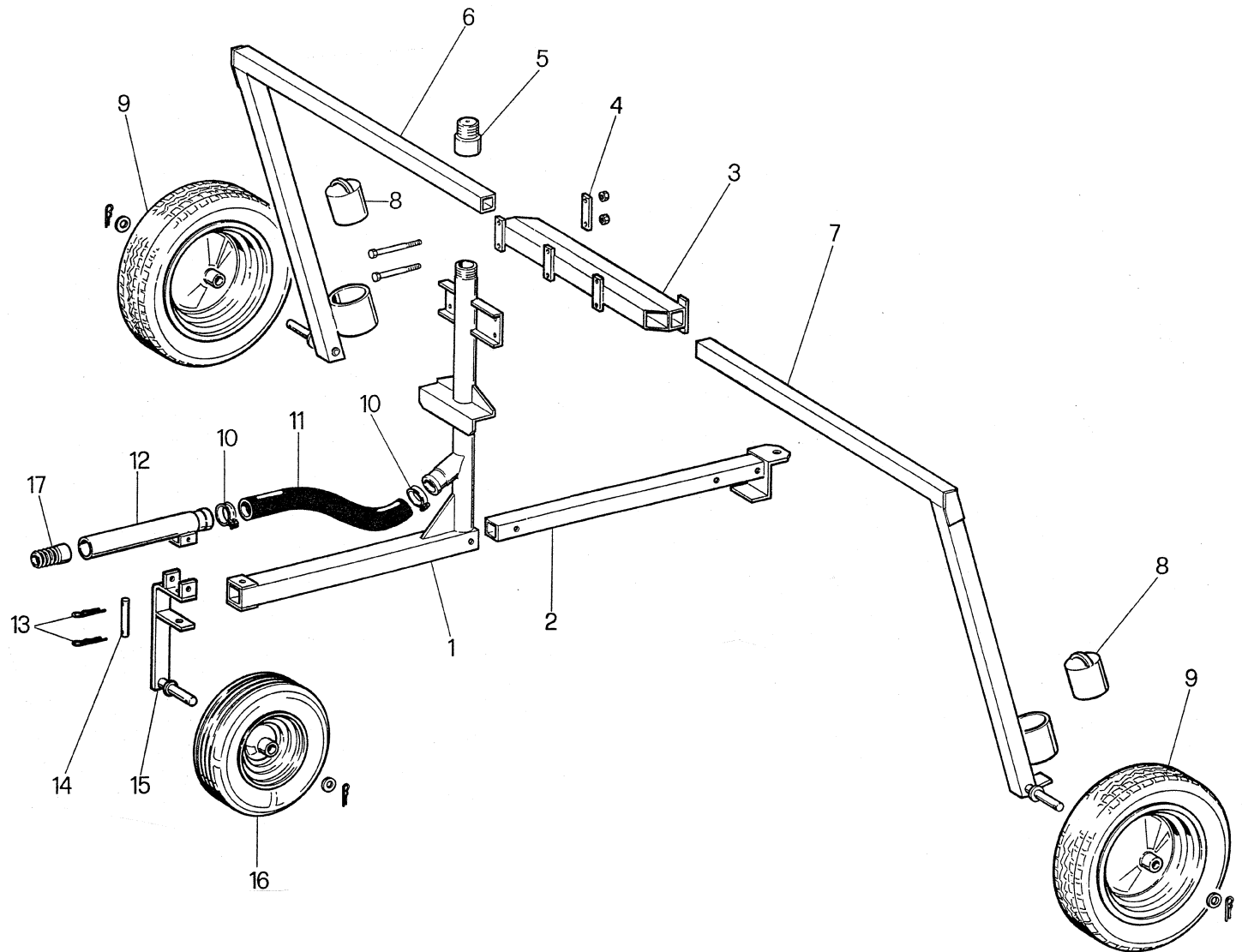
Stampa del 03/10/2011

Esploso I0560EGXA
MACCHINA IRRIGATRICE SUPER RAIN 560 GX EXPORT

Note

| POS. Pos. Pos. Pos. | PAG. Page Page Seite Pagina | DENOMINAZIONE Appellation Denomination Bezeichnung Denombrocion | U.M. | N.PEZZI N.Pieces N.Pieces N.Teile N.Plez | CODICE Code Code Kode Codigo | NOTE Annotation Note Aufzeichnung Nota | |
|------------------------------|---|---|------|--|--|--|--|
| 104 | 71 | OR 2250 | n | 1,00 | 5600106 | | |
| 105 | 71 | GRAISSEUR M8 | n | 1,00 | 5800174 | | |
| 106 | 71 | BAGUE REDUCTION BY-PASS | n | 1,00 | 5600042 | | |
| 107 | 71 | POS.79-80-81-82-83-84-85-86-87-88-89-90-91-92-93-94- | | | | | |
| 107 | 71 | TURBINE T4 (560-570) | n | 1,00 | TUR560 | | |

Note



RM S.p.A.
 S. QUIRICO DI TRECASALI
 (PARMA)-ITALIA

CARRELLO PORTA IRRIGATORE VERSIONE 98 MOD.560 GX
SPRINKLER-HOLDING CARRIER VERSION 98 MODEL 560 GX
CHARIOT PORT-IRRIGATEUR VERSION 98 MODÈLE 560 GX
 WAGEN FÜR BEWÄSSERUNGSAPPARAT VERSION 98 MOD.560 GX
RIJDEND ONDERSTEL VOOR SPROEIER MODEL 98 TYPE 560 GX

Pag.24

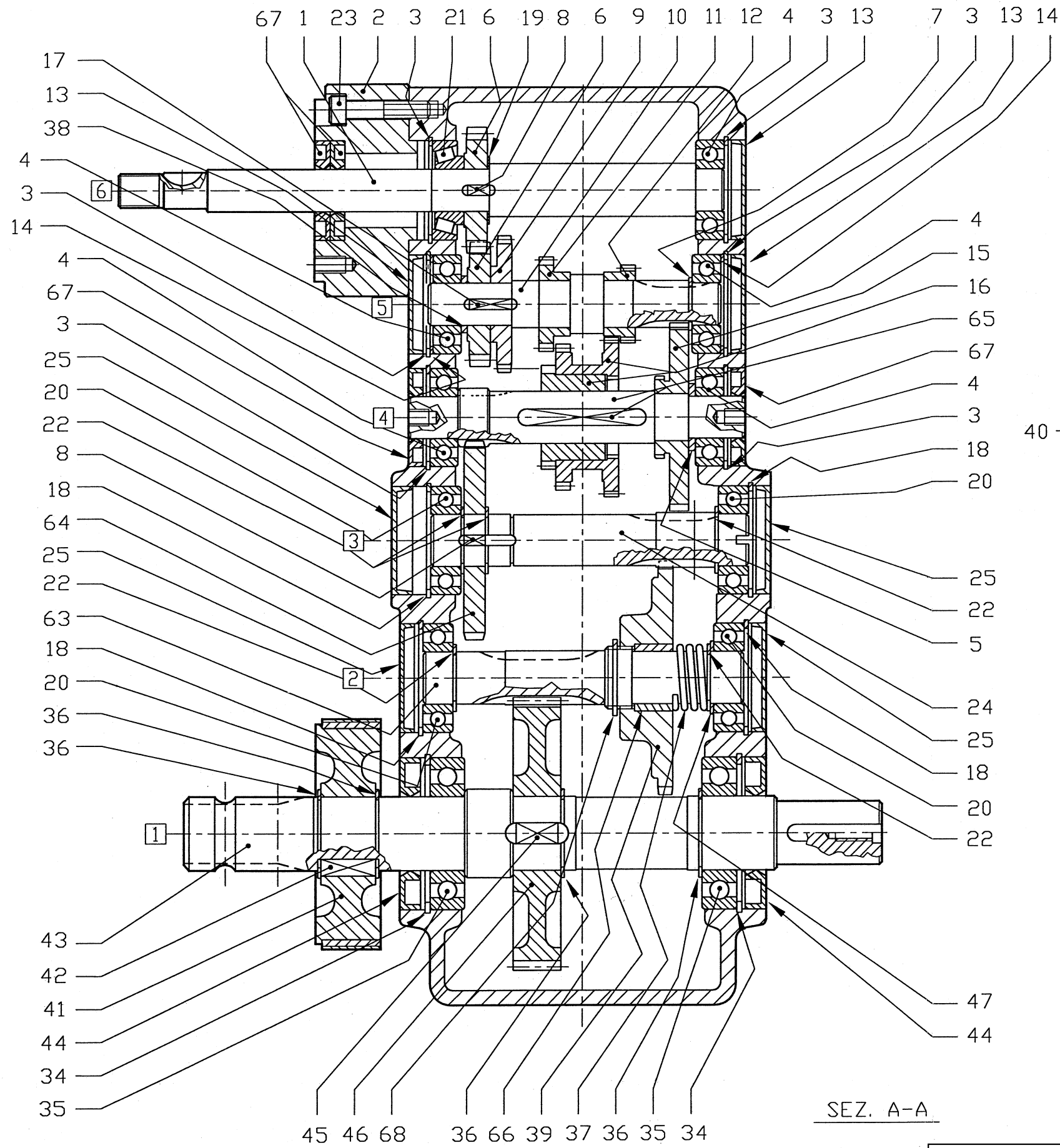
COD.
 CARR.550.1

Esploso CARR5501
CARRELLO 550/560GX

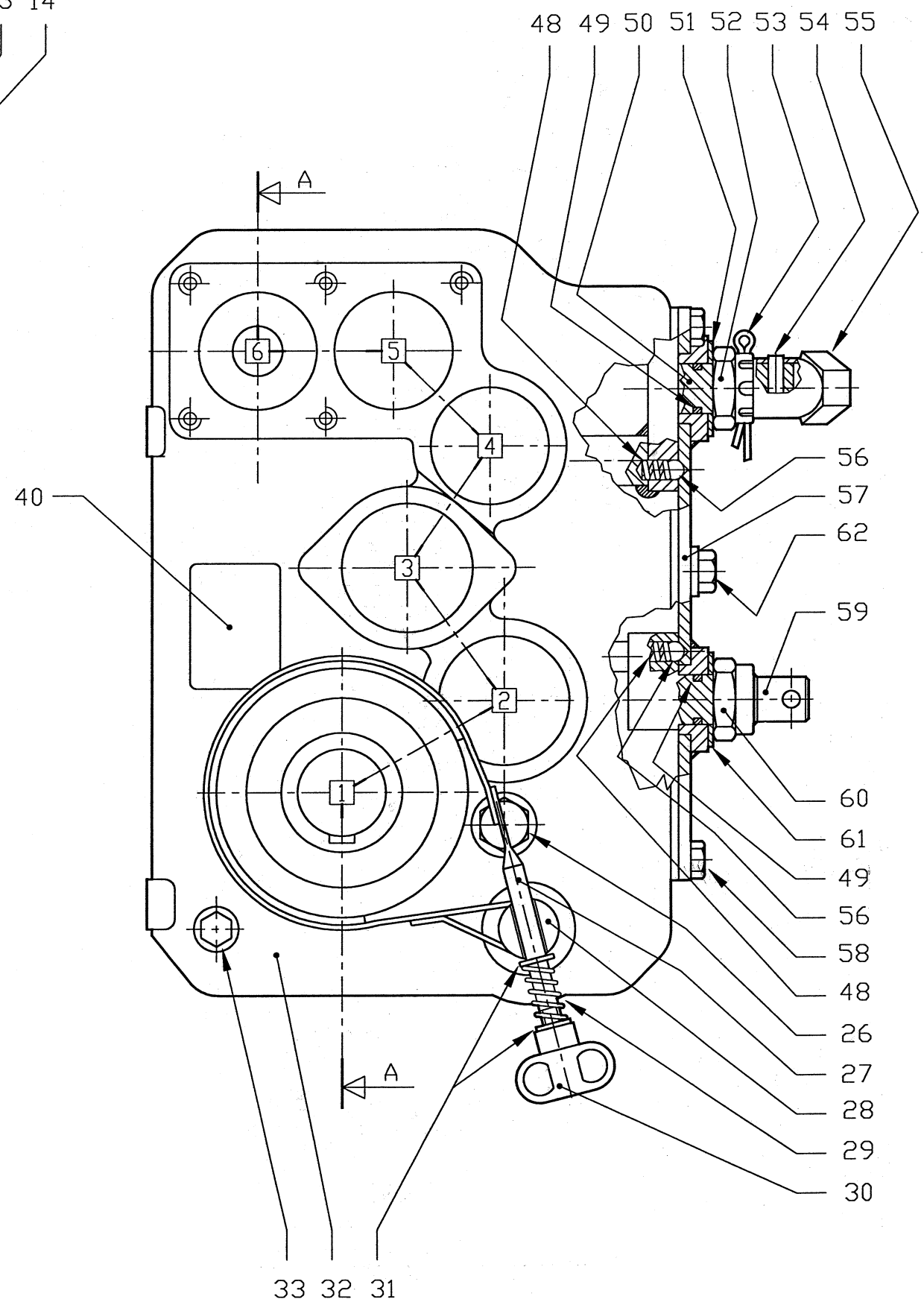
Note

| POS. Pos. Pos. Pos. | PAG. Page Seite Pagina | DENOMINAZIONE Appellation Denomination Bezeichnung Denombrocion | U.M. | N.PEZZI N.Pieces N.Pieces N.Teile N.Plez | CODICE Code Code Kode Codigo | NOTE Annotation Note Aufzeichnung Nota |
|------------------------------|---------------------------------|---|------|--|--|--|
| 1 | 24 | 560 TROLLEY CENTRAL BODY | n | 1,00 | 55010175Z | |
| 2 | 24 | 560 TROLLEY DRAWBAR | n | 1,00 | 55010172Z | |
| 3 | 24 | CROSSING PIPE TROLLEY 560 | n | 1,00 | 55010173Z | |
| 4 | 24 | PLATE FOR LEGS FIXING | n | 2,00 | 55010171Z | |
| 5 | 24 | ADAPTATION 2"1/2M-2"F | n | 1,00 | 5500132 | Ø PE 75 |
| 6 | 24 | LEFT LEG FOR 560 TROLLEY | n | 1,00 | 55010176Z | |
| 7 | 24 | RIGHT LEG TROLLEY 560 | n | 1,00 | 55010177Z | |
| 8 | 24 | COUNTERBALANCE WEIGHT | kg | | BILLETTE | ML. 0,2 x 2 |
| 9 | 24 | WHEEL 4.00X10"TRAILER-N.305 | n | 2,00 | 5500129 | |
| 10 | 24 | CLAMP 67/73 | n | 2,00 | 5500121 | |
| 11 | 24 | HOSE MONTREAL 10 60 X 70 | m | 0,75 | 5500112 | |
| 12 | 24 | 560 TROLLEY TAIL | n | 1,00 | 55010174Z | |
| 13 | 24 | ELASTIC PIN 6X50 "SPIROL" | n | 2,00 | 5800205 | |
| 14 | 24 | 560 TROLLEY PIN | n | 1,00 | 55010179Z | |
| 15 | 24 | TYRE SUPPORT ON 560 TROLLEY | n | 1,00 | 55010178Z | |
| 16 | 24 | WHEEL 15.600X6"-4PR RIGATA-204 | n | 1,00 | 5500128 | PN |
| 17 | 24 | PE HOSE ENTRANCE | n | 1,00 | 5500033 | Ø PE |
| 18 | 24 | 550 TROLLEY CARPENTRY | n | 1,00 | 5501017 | |
| 18 | 24 | POS.1-2-3-4-6-7-12-14-15 | | | | |
| 19 | 24 | 560 GX TROLLEY | n | 1,00 | CARR5501 | |
| 19 | 24 | POS.1-2-3-4-5-6-7-8-9-10-11-13-14-15-16 | | | | |

Note



SEZ. A-A



Cod. 5600101

RM S.p.A.
S. QUIRICO DI TRECASALI
(PARMA)-ITALIA

RIDUTTORE D743A PER 560GX-570GX rif.743.023.00
D743A REDUCER FOR 560GX-570GX ref.743.023.00
REDUCTEUR D743A POUR 560GX-570GX réf.743.023.00
UNTERSETZER D743A FÜR 560GX-570GX bez.743.023.00
GEAR D743A VOOR 560GX-570GX ref.743.023.00

Pag.34

Rev.00

11/2010

| | |
|----------------|--------------------------------|
| Esploso | 5600101 |
| | RIDUTTORE COMER D 743 A |
| Note | VERSIONE 9.743.023.10 |

| POS. Pos. Pos. Pos. | PAG. Page Seite Pagina | DENOMINAZIONE Appellation Denomination Bezeichnung Denombrocion | U.M. | N.PEZZI N.Pieces N.Pieces N.Teile N.Plez | CODICE Code Code Kode Codigo | NOTE Annotation Note Aufzeichnung Nota |
|------------------------------|---------------------------------|---|------|--|--|--|
| 1 | 34 | INLET COMER SHAFT | n | 1,00 | RC0744201500 | |
| 2 | 34 | COMER FLANGE | n | 1,00 | RC0744700800 | |
| 3 | 34 | COMER RING | n | 6,00 | RC85201290 | |
| 4 | 34 | BEARING CLB 6204 COMER | n | 5,00 | RC80100405 | |
| 5 | 34 | SPACER 32.0X20 COMER | n | 1,00 | RC0104752500 | |
| 6 | 34 | COMER GEAR | n | 2,00 | RC0744601800 | |
| 7 | 34 | COMER RING | n | 1,00 | RC85100261 | |
| 8 | 34 | TONGUE UNI6604 COMER | n | 2,00 | RC84101511 | |
| 9 | 34 | CYLIND.GEAR COMER | n | 1,00 | RC0744600700 | |
| 10 | 34 | COMER PINION SHAFT | n | 1,00 | RC0744501100 | |
| 11 | 34 | CYLIND.PINION COMER | n | 1,00 | RC0744501500 | |
| 12 | 34 | CYLIND.PINION COMER | n | 1,00 | RC0735500100 | |
| 13 | 34 | PLUG 47X7 COMER | n | 3,00 | RC87001362 | |
| 14 | 34 | SPACER COMER | n | 2,00 | RC0457750000 | |
| 15 | 34 | CYLIND.GEAR COMER | n | 1,00 | RC0744600300 | |
| 16 | 34 | COMER GEARS | n | 1,00 | RC2744500700 | |
| 17 | 34 | TONGUE UNI6604 COMER | n | 1,00 | RC84101617 | |
| 18 | 34 | COMER RING | n | 4,00 | RC85200038 | |
| 19 | 34 | SPES.REG. | n | 1,00 | RC0104750000 | |
| 20 | 34 | BEARING CLB 6205 COMER | n | 4,00 | RC80100034 | |
| 21 | 34 | BEARING CLB 30204 COMER | n | 1,00 | RC80901591 | |
| 22 | 34 | COMER RING | n | 5,00 | RC85100004 | |
| 23 | 34 | SCREW TCEI UNI5931 M8X40 8.8 | n | 4,00 | RC81201723 | |
| 24 | 34 | COMER PINION SHAFT | n | 1,00 | RC0743501200 | |
| 25 | 34 | PLUG COMER 52X7 | n | 4,00 | RC87000693 | |
| 26 | 34 | COMER GAUGE | n | 1,00 | RC86400673 | |
| 27 | 34 | COMPLETE BRAKE BAND | n | 1,00 | RC2744700600 | i5800143 |

CONTINUA

| |
|------|
| Note |
|------|

Esploso 5600101
RIDUTTORE COMER D 743 A
VERSIONE 9.743.023.10

| POS. Pos. Pos. Pos. | PAG. Page Seite Pagina | DENOMINAZIONE Appellation Denomination Bezeichnung Denombrocion | U.M. | N.PEZZI N.Pieces N.Pieces N.Teile N.Plez | CODICE Code Code Code Codigo | NOTE Annotation Note Aufzeichnung Nota |
|------------------------------|---------------------------------|---|------|--|--|--|
| 28 | 34 | COMER PIVOT | n | 1,00 | RC0744700500 | |
| 29 | 34 | SPRING FOR COMER BRAKE | n | 1,00 | RC0735710300 | |
| 30 | 34 | COMER HANDLE | n | 1,00 | RC89101713 | |
| 31 | 34 | PART FOR SCREWS UNI6592 COMER | n | 2,00 | RC83200439 | |
| 32 | 34 | COMER BOX | n | 1,00 | RC0743030100 | |
| 33 | 34 | COMER PLUG | n | 1,00 | RC86500006 | |
| 34 | 34 | COMER RING | n | 2,00 | RC85200131 | |
| 35 | 34 | BEARING CLB 6207 COMER | n | 2,00 | RC80100870 | |
| 36 | 34 | COMER RING | n | 4,00 | RC85100005 | |
| 37 | 34 | COMER SPRING | n | 1,00 | RC0743710200 | |
| 38 | 34 | COMER SPACER | n | 1,00 | RC0744710400 | |
| 39 | 34 | GEAR I.D. COMER | n | 1,00 | RC0743600600 | |
| 40 | 34 | PLATE COMER | n | 1,00 | RC0124710100 | |
| 41 | 34 | COMER BRAKE DISK | n | 1,00 | RC0744700400 | |
| 42 | 34 | TONGUE UNI6604 COMER | n | 1,00 | RC84100232 | |
| 43 | 34 | PTO COMER OUTLET SHAFT | n | 1,00 | RC0743300200 | |
| 44 | 34 | RING 35X72X10 COMER | n | 2,00 | RC87300055 | |
| 45 | 34 | COMER TONGUE | n | 1,00 | RC84101342 | |
| 46 | 34 | CYLIND.GEAR COMER | n | 1,00 | RC0743600000 | |
| 47 | 34 | SPACER COMER | n | 2,00 | RC0743751000 | |
| 48 | 34 | COMER SPRING | n | 2,00 | RC0721710100 | |
| 49 | 34 | SEAL O-RING COMER | n | 2,00 | RC87600191 | |
| 50 | 34 | LEVER FOR COMER | n | 1,00 | RC2744700200 | |
| 51 | 34 | COMER SPRING | n | 1,00 | RC85501316 | |
| 52 | 34 | D.E.INT. UNI5594 COMER | n | 1,00 | RC82200997 | |
| 53 | 34 | UNI1336 COMER PIN | n | 1,00 | RC84700760 | |
| 54 | 34 | COMER PIN | n | 1,00 | RC84500934 | |

CONTINUA

Note

RM SPA
 Via Provinciale per Cremona 41 - Fraz. San Quirico
 43010 Trecasali (PR)
 Tel 0521 872221 - Fax 0521 874027
 Cod. Fisc e Part.IVA 00153210349

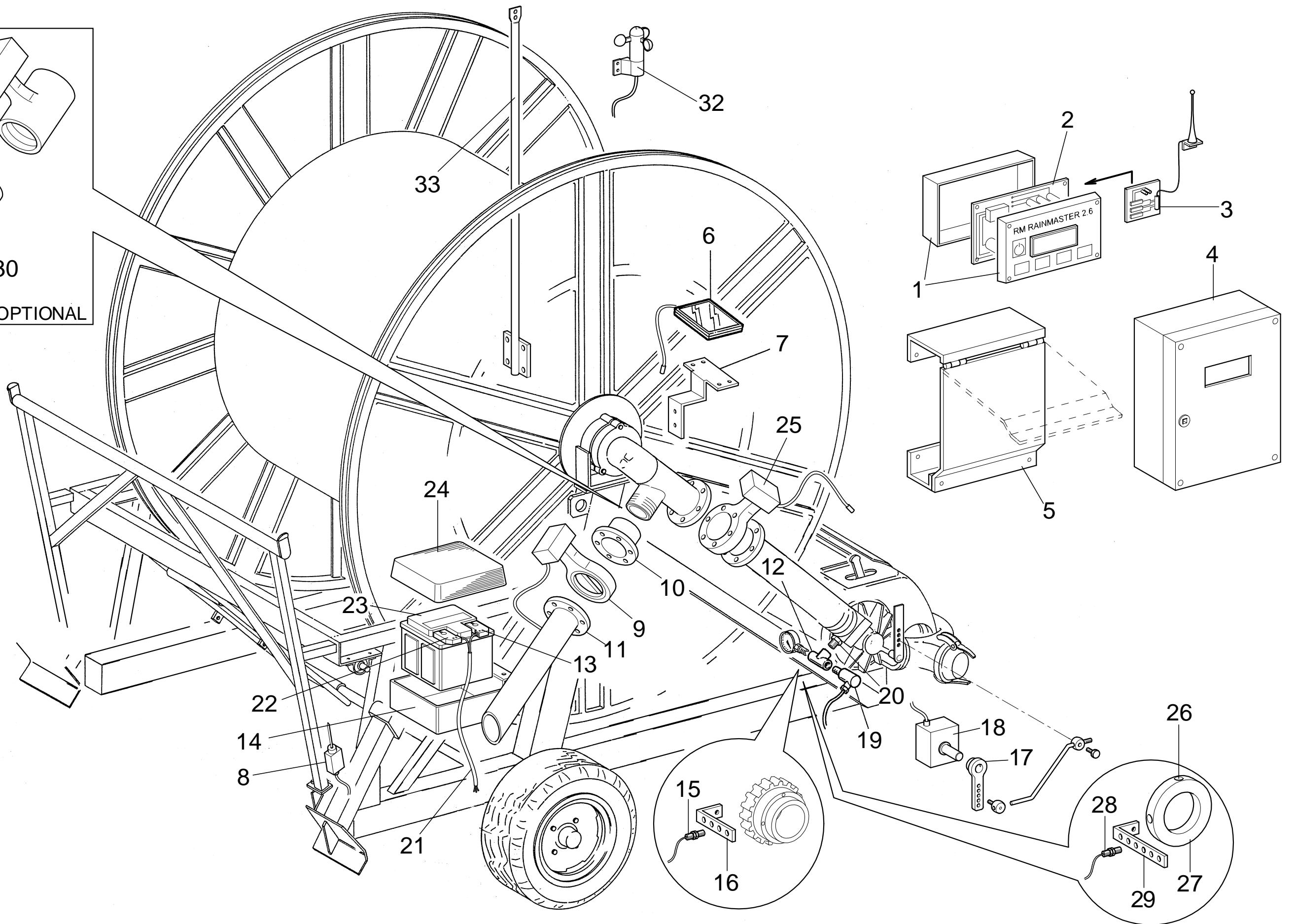
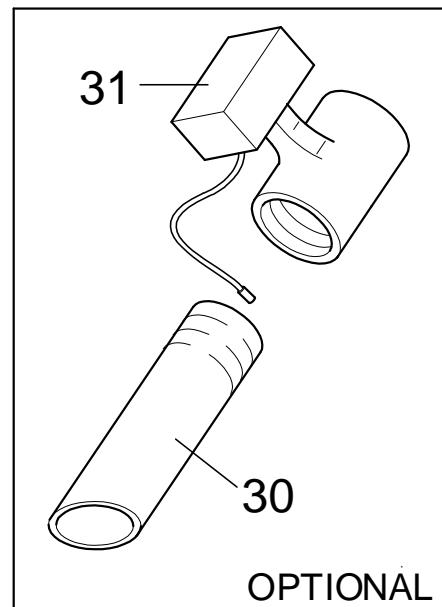
Controllo Esploso 11/0000008
 Data Creazione 28/01/2011
 Data Ult. Modifica 30/09/2011 Ora 12:10

Stampa del 01/12/2011

Esploso 5600101
RIDUTTORE COMER D 743 A
Note VERSIONE 9.743.023.10

| POS. Pos. Pos. Pos. | PAG. Page Seite Pagina | DENOMINAZIONE Appellation Denomination Bezeichnung Denombrocion | U.M. | N.PEZZI N.Pièces N.Pieces N.Teile N.Plez | CODICE Code Code Kode Codigo | NOTE Annotation Note Aufzeichnung Nota |
|------------------------------|---------------------------------|---|------|--|--|--|
| 55 | 34 | COMER HANDLE | n | 1,00 | RC1721700200 | |
| 56 | 34 | COMER BALL | n | 2,00 | RC85900166 | |
| 57 | 34 | COMER COVER | n | 1,00 | RC2743131200 | |
| 58 | 34 | SCREW ZN TE UNI5739 COMER | n | 6,00 | RC81101676 | |
| 59 | 34 | COMER LEVER | n | 1,00 | RC2743700400 | |
| 60 | 34 | COMER NUT | n | 1,00 | RC0744710500 | |
| 61 | 34 | SPACER COMER | n | 1,00 | RC0104751000 | |
| 62 | 34 | COMER PLUG | n | 1,00 | RC86500203 | |
| 63 | 34 | COMER PINION SHAFT | n | 1,00 | RC0743501900 | |
| 64 | 34 | CYLIND. GEAR COMER | n | 1,00 | RC0743600400 | |
| 65 | 34 | PINION SHAFT + LID | n | 1,00 | RC2743502200 | |
| 66 | 34 | COMER BUSH | n | 1,00 | RC0743710700 | |
| 67 | 34 | COMER BA RING | n | 4,00 | RC87301395 | |
| 68 | 34 | COMER RING | n | 1,00 | RC85102281 | |

Note



RM S.p.A.
S. QUIRICO DI TRECASALI
(PARMA)-ITALIA

PROGRAMMATORE RM RAINMASTER 2.6/RAINSTAR 160
PROGRAMMER RM RAINMASTER 2.6/RAINSTAR 160
PROGRAMMEUR RM RAINMASTER 2.6/RAINSTAR 160
PROGRAMMIEREINHEIT RM RAINMASTER 2.6/RAINSTAR 160
PROGRAMMEUR RM RAINMASTER 2.6/RAINSTAR 160

Pag.110

Rev.01
11/2010

Esploso

PROGRAMMATORE RAINMASTER 2.6 - RAINSTAR 160

Note

| POS. Pos. Pos. Pos. | PAG. Page Seite Pagina | DENOMINAZIONE Appellation Denomination Bezeichnung Denombrocion | U.M. | N.PEZZI N.Pieces N.Pieces N.Teile N.Plez | CODICE Code Code Kode Codigo | NOTE Annotation Note Aufzeichnung Nota |
|------------------------------|---------------------------------|---|------|--|--|--|
| 1 | 110 | RAINSTAR STAINL.STEEL COVER | n | 1,00 | 0200127 | C.2 |
| 2 | 110 | RAINSTAR 260 CONTROL PANEL | n | 1,00 | 0200128 | C.1 |
| 2 | 110 | RAINSTAR 160 CONTROL PANEL | n | 1,00 | 0200123 | C.1 |
| 3 | 110 | GSM ELECTR. BOARD WITH ANTENNA | n | 1,00 | 0200130 | OP |
| 4 | 110 | COVER WITH KEY FOR PROGRAMMER | n | 1,00 | 7000074 | OP |
| 5 | 110 | RAINSTAR STAINL.STEEL COVER | n | 1,00 | 0200127 | |
| 6 | 110 | SOLAR PANEL 20902076 | n | 1,00 | 5800332 | OP |
| 7 | 110 | SOLAR PANEL SUPPORT | n | 1,00 | 7000082Z | OP |
| 8 | 110 | FINECORS A STELO + BOCCHETTONE | n | 1,00 | 5810109+5810110 | |
| 9 | 110 | MOTORISED VALVE 3" DN80 | n | 1,00 | 0200135 | |
| 9 | 110 | MOTOR VALVE 20 SEC. STARTEC | n | 1,00 | 0200129 | |
| 10 | 110 | FLANGIA DN 100 CON MANICOTTO FILETTATO | n | 1,00 | FLANGEDN100C+MA NFIL89 | OP |
| 10 | 110 | FLANGIA DN80 CON MANFIL 3" | n | 1,00 | | C.11-OP |
| 11 | 110 | FLANGE DN 100 PN16 HOLE D.108 | n | 1,00 | FLANGEDN100C | |
| 11 | 110 | FLANGED DISCHARGE PIPE FOR VALVE | n | 1,00 | 0200043Z | C.10 - OP |
| 12 | 110 | T 1/8" F+F+F JOINT | n | 1,00 | 5800327 | |
| 13 | 110 | "+" BATTERY HOLDFAST | n | 1,00 | 5800324 | |
| 14 | 110 | BATTERY CONTAINER | n | 1,00 | 7000081 | |
| 15 | 110 | SPECIAL SENSOR 8 MM. | n | 1,00 | 0200124 | C.16 SOLO/ONLY POST-MONTAGGIO |
| 16 | 110 | SUPPORTO SENSORE | n | 1,00 | | C.15 SOLO/ONLY POST-MONTAGGIO |
| 17 | 110 | GALVANISED BY-PASS LEVER | n | 1,00 | 0200003Z | |
| 18 | 110 | MOTOGERABOX 12 VPC STARTEC | n | 1,00 | 0200125 | |
| 19 | 110 | PRESSURE SWITCH 1/4" STARTEC | n | 1,00 | 0200126 | |
| 20 | 110 | JOINT 1/8"-1/8" | n | 1,00 | 5800328 | |
| 21 | 110 | FEEDING CABLE | n | 1,00 | 5800321 | |
| 22 | 110 | "-" BATTERY HOLDFAST | n | 1,00 | 5800325 | |
| 23 | 110 | BATTERY 12V 45 AH | n | 1,00 | 5800326 | |

CONTINUA

Note

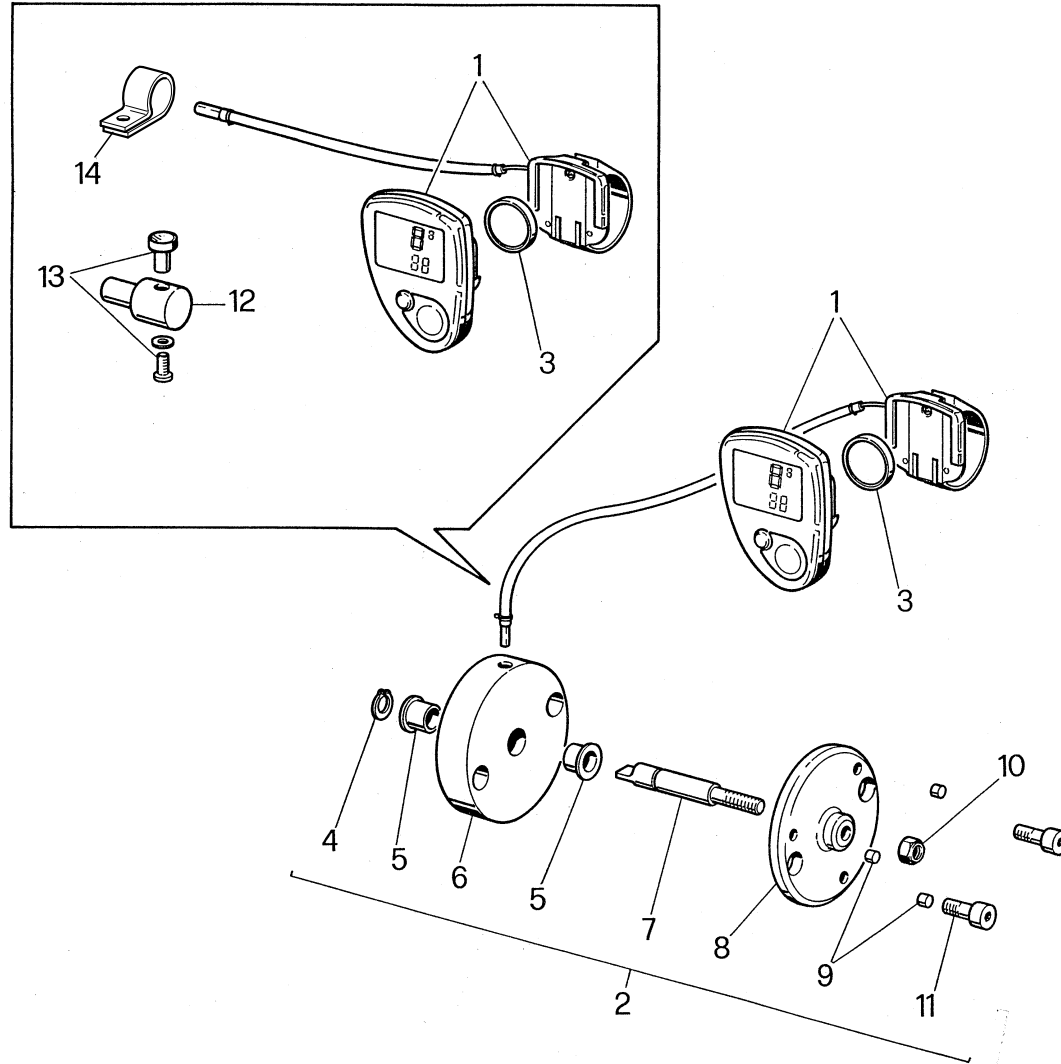
Esploso

PROGRAMMATORE RAINMASTER 2.6 - RAINSTAR 160

Note

| POS. Pos. Pos. Pos. | PAG. Page Seite Pagina | DENOMINAZIONE Appellation Denomination Bezeichnung Denombrocion | U.M. | N.PEZZI N.Pieces N.Pieces N.Teile N.Plez | CODICE Code Code Kode Codigo | NOTE Annotation Note Aufzeichnung Nota |
|------------------------------|---------------------------------|---|------|--|--|--|
| 24 | 110 | BATTERY COVER | n | 1,00 | 8900049 | |
| 25 | 110 | MOTOR VALVE 20 SEC. STARTEC | n | 1,00 | 0200129 | OP |
| 26 | 110 | MAGNET DIAM. 4 X 3 | n | 4,00 | 5800505 | |
| 27 | 110 | DISK FOR GEAR Ø90X10MM | n | 1,00 | 0200103 | |
| 28 | 110 | RUN END SENSOR WITH MAGNET | n | 1,00 | 5800329 | C.29 |
| 29 | 110 | SUPPORTO SENSORE | n | 1,00 | | C.28 |
| 30 | 110 | 2" DISCHARGE PIPE | n | 1,00 | 0200044Z | 2"- OP |
| 31 | 110 | MOTORISED BALL VALVE 20 SEC. | n | 1,00 | 0200132 | OP |
| 32 | 110 | SUPPORTO ANEMOMETRO | n | 1,00 | | OP |
| 33 | 110 | ANEMOMETER WITH CABLE | n | 1,00 | 0200137 | op |

Note



RM S.p.A.
 S. QUIRICO DI TRECASALI
 (PARMA)-ITALIA

TACHIMETRO ELETTRONICO "VDO EURO/SPRINT"
ELECTRONIC SPEEDOMETER "VDO EURO/SPRINT"
TACHYMÈTRE ÉLECTRONIQUE "VDO EURO/SPRINT"
ELEKTRONENGESCHWINDIGKEITSMESSER "VDO EURO/SPRINT"
ELEKTRONISCH TOERENTELLER "VDO EURO/SPRINT"

Esploso

TACHIMETRO VDO EURO/SPRINT

Note

| POS. Pos. Pos. Pos. | PAG. Page Seite Pagina | DENOMINAZIONE Appellation Denomination Bezeichnung Denombrocion | U.M. | N.PEZZI N.Pieces N.Pieces N.Teile N.Plez | CODICE Code Code Kode Codigo | NOTE Annotation Note Aufzeichnung Nota |
|------------------------------|---------------------------------|---|------|--|--|--|
| 1 | 22 | TACHOMETER CYTEC 05 | n | 1,00 | 5800501 | C.3+13 |
| 2 | 22 | SPEED READER FOR TACHOMETER | n | 1,00 | 5800508 | |
| 3 | 22 | WASHER 4 X 10 X 1 | n | 1,00 | 5800504 | |
| 4 | 22 | SEEGER E 8 | n | 1,00 | 5800503 | |
| 5 | 22 | BUSH PAF 08075P10 | n | 2,00 | 5800502 | |
| 6 | 22 | TACHOMETER SENSOR HOLDER | n | 1,00 | 5800052 | |
| 7 | 22 | TACHOMETER READER SHAFT | n | 1,00 | 5800054 | |
| 8 | 22 | TACHOMETER MAGNETS HOLDER | n | 1,00 | 5800053 | |
| 9 | 22 | MAGNET DIAM. 4 X 3 | n | 3,00 | 5800505 | |
| 10 | 22 | SELF-LOC.NUT M5 | n | 1,00 | 5800211 | |
| 11 | 22 | VITI TCEI M5x12 | n | 2,00 | | |
| 12 | 22 | MAGNET HOLDER | n | 1,00 | 8900034 | |
| 13 | 22 | MAGNETE VDO | n | 1,00 | | C.1 |
| 14 | 22 | CLAMP ABA D.10 | n | 1,00 | 5800507 | |
| 15 | 22 | TACHOMETER VDO COMPLETE | n | 1,00 | TACHVDOEURO | |
| 15 | 22 | MAGNETI - POS.1-2-3 | | | | |
| 16 | 22 | TACHOMETER VDO (560-890-990) | n | 1,00 | TACHVDOSPRINT | |
| 16 | 22 | MAGNETE - POS.1-3-12-13-14 | | | | |

Note