



**560 GX**  
75-250

**3" x 820ft**  
Sime Sprinkler  
80-178 GPM

## FEATURES:

- Flow-distributor hydraulic turbine with built-in by-pass
- 4-speed gearbox
- PTO for fast hose rewinding
- Braking system to unwind the hose with fully automatic operation
- Automatic speed compensator
- Self-balancing hydraulically controlled rear anchoring brackets, and hydraulic lift of trolley
- Adjustable trolley track and wheel height
- Komet Twin 140 Ultra sprinkler
- Hot-dip galvanized structure
- Water inlet on both sides



**DOWNLOADS:**  
[Operation Manual](#)  
[Parts Breakdown](#)

**WaterTec**

[www.watertecna.com](http://www.watertecna.com)



1-877-591-4790



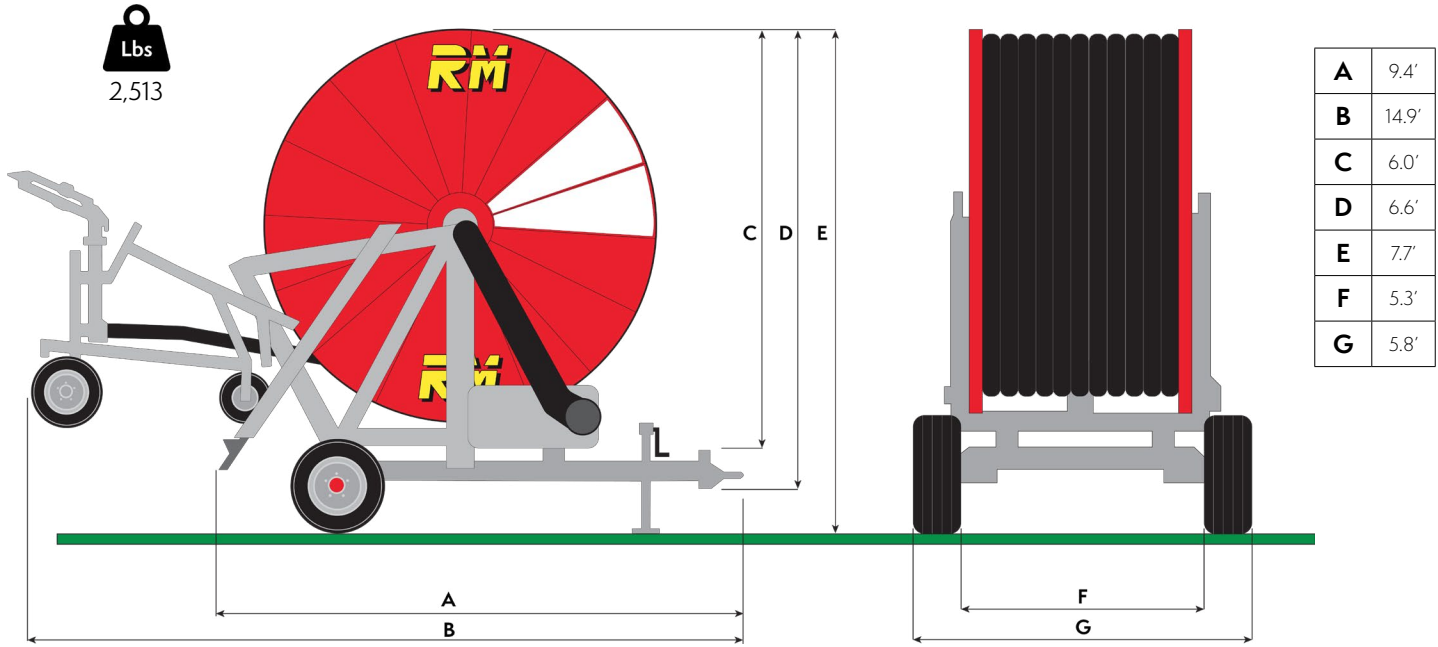
1-888-695-7999



# 560 GX

## 75-250

**3" x 820ft**  
Sime Sprinkler  
80-178 GPM



Nozzle Size	Inlet	Sprinkler	Flow	Radius	Diameter	Spacing (85%)	Speed (feet/hour)													
							16	33	49	66	82	98	131	164	197	230	262	295	328	
							Rewind Time (hours)													
							100	50	33.3	25	20	16.7	12.5	10	8.3	7.1	6.3	5.6	5	
mm/in	PSI	PSI	GPM	Feet	Feet	Feet	Precipitation rate in inches													
16 0.63"	66	44	80	98	197	167	2.81	1.40	0.94	0.70	0.56	0.47	0.35	0.28	0.23	0.20	0.18	0.16	0.14	
	84	59	93	112	223	190	2.87	1.43	0.96	0.72	0.57	0.48	0.36	0.29	0.24	0.20	0.18	0.16	0.14	
	103	74	103	118	236	201	3.02	1.51	1.01	0.76	0.60	0.50	0.38	0.30	0.25	0.22	0.19	0.17	0.15	
18 0.71"	72	44	100	105	210	178	3.28	1.64	1.09	0.82	0.66	0.55	0.41	0.33	0.27	0.24	0.20	0.18	0.17	
	91	59	111	115	230	195	3.33	1.67	1.11	0.83	0.67	0.56	0.42	0.33	0.28	0.24	0.21	0.19	0.17	
	113	74	129	125	249	212	3.56	1.78	1.19	0.89	0.71	0.59	0.44	0.35	0.30	0.26	0.22	0.20	0.18	
20 0.79"	81	44	121	108	217	184	3.87	1.94	1.29	0.97	0.78	0.65	0.48	0.39	0.32	0.28	0.24	0.22	0.19	
	104	59	140	121	243	206	4.00	2.00	1.33	1.00	0.80	0.67	0.50	0.40	0.33	0.28	0.25	0.22	0.20	
	128	74	157	135	269	229	4.03	2.01	1.34	1.01	0.81	0.67	0.50	0.40	0.33	0.29	0.25	0.22	0.20	
22 0.87"	88	44	138	121	243	206	3.92	1.96	1.31	0.98	0.78	0.65	0.49	0.39	0.33	0.28	0.24	0.22	0.20	
	115	59	159	135	269	229	4.09	2.05	1.37	1.02	0.82	0.68	0.51	0.41	0.34	0.29	0.26	0.23	0.20	
	140	74	178	148	295	251	4.17	2.09	1.39	1.04	0.83	0.70	0.52	0.42	0.35	0.30	0.26	0.23	0.21	

