

**RM** S.p.A.  
S. QUIRICO DI TRECASALI  
(PARMA)-ITALIA

IRRIGATORE SEMOVENTE "SPEEDY RAIN" MOD. 501 (TUBO Ø50 DA m 150 ÷ 170)  
 SELF-PROPELLED SPRINKLER "SPEEDY RAIN" MODEL 501 (PIPE Ø50 FROM m 150 ÷ 170)  
 IRRIGATEUR AUTOMOTEUR "SPEEDY RAIN" MODÈLE 501 (TUYAU Ø50 DE m 150 ÷ 170)  
 SELBSTFAHRENDER BEWÄSSERUNGSAPPARAT "SPEEDY RAIN" MOD. 501 (RÖHRE Ø50 VON m 150 ÷ 170)  
 ZELFRIJDANDE SPROEIER "SPEEDY RAIN" TYPE 501 (BUS MIDDELIJN 50 VAN 150 METER AAN 170 METER)

**Esploso I050150150**  
**MACCHINA IRRIGAT.SPEEDY RAIN 501 TURB.50/150**

Note

POS. Pos. Pos. Pos.	PAG. Page Seite Pagina	DENOMINAZIONE Appellation Denomination Bezeichnung Denombrocion	U.M.	N.PEZZI N.Pieces N.Pieces N.Teile N.Plez	CODICE Code Code Code Codigo	NOTE Annotation Note Aufzeichnung Nota
1	104	CLAMP 39-43	n	2,00	4000106	
2	104	COUPLING M.1"1/4 X 32	n	1,00	4010120	
3	104	PIN D.8	n	1,00	3000117	
4	104	ELBOW F-F 1"1/4	n	1,00	4010121	
5	104	SELF-LOCKING NUT M10	n	2,00	3000125	
6	104	SPACER	n	1,00	3000015	
7	104	SCREW M10 X 100 TE	n	1,00	4000107	
8	104	GALV.WASHER 13 X 24	n	2,00	2000109	
9	104	GALVAN.SPRING	n	1,00	3000017	
10	104	HUB D.50 M12	n	1,00	4000105	
11	104	CLAMP 50-54	n	3,00	5010102	
12	104	SCREW M10X60 T.E.	n	1,00	3000124	
13	104	ELASTIC PIN D.6 X 45	n	2,00	4000103	
14	104	PINION 3/8" Z 19	n	2,00	4000010	
15	104	CHAIN 3/8" S	m	1,49	4000101	
16	104	CHAIN CONNECTING MESH 3/8" S	n	1,00	4000102	
17	104	SCREW M6 X 10 T.E.	n	2,00	4010108	
18	104	SEEGER I 30	n	1,00	4000113	
19	104	GREASER M6X1	n	2,00	5800175	
20	104	SCREW M 10 X 40 TE	n	2,00	4000111	
21	104	HOSEGUIDE FORK	n	1,00	5010007Z	
22	104	PAWL SERIE 400	n	1,00	4000018	
23	104	CAST IRON HOSEGUIDE	n	1,00	4000019Z	
24	104	MEDIUM NUT M 10	n	2,00	4000112	
25	104	ENDLESS SCREW	n	1,00	5010006	
26	104	DRUM-GUIDE SPRING	n	1,00	4000016	
27	104	LIFTING MOD.501 GALV.	n	1,00	5010012Z	

CONTINUA

Note

**Esploso I050150150**  
**MACCHINA IRRIGAT.SPEEDY RAIN 501 TURB.50/150**

Note

POS. Pos. Pos. Pos.	PAG. Page Seite Pagina	DENOMINAZIONE Appellation Denomination Bezeichnung Denombrocion	U.M.	N.PEZZI N.Pieces N.Teile N.Plez	CODICE Code Code Kode Codigo	NOTE Annotation Note Aufzeichnung Nota
28	104	HOSE TAIL MOD.501	n	1,00	5010015Z	d.51588
28	104	CORAI JOINT M+F GR D48/38 SF	n	1,00	4000303	f.51587
29	104	HOSE TAILS D42	n	1,00	TRONCHD42	
30	104	PE HOSE BD PN6 D.50 SP.4,3 150M	n	1,00	TBD0500430150	ml.150/170
31	104	CHAIN TIE	n	1,00	4000006Z	
32	104	NUT M 14 LOW	n	2,00	4000110	
33	104	STOP CHASSIS 501 GALV.	n	1,00	5010004Z	
34	104	DRUM MOD.501	n	1,00	5010002	
35	104	CHASSIS MOD.501	n	1,00	5011001	i.5010001
35	104	CHASSIS	n	1,00	5010001	
36	104	HOLDFAST FOR CABLE ART.AMA302	n	1,00	2000124	
37	104	STOP LEVER MOD.200	n	1,00	2000005Z	
38	104	SELFLOCKING NUT M8	n	1,00	4010103	
39	104	SCREW M8 X 30 T.E.	n	5,00	4010106	
40	104	WHEEL 145/10-4PR 4F.BALILLA	n	2,00	5010106	
41	104	RETURN RELEASING	n	1,00	4010013Z	
42	104	DADO RUOTE	n	8,00		
43	104	RELEASING BAR	n	1,00	5010005Z	
44	104	GALV.STEEL CABLE WITH HEAD	n	1,00	2000116	
45	104	STOP VALVE MOD. 401-501	n	1,00	ACQUAST401501	op
46	104	TURNING COUPLING 401/501	n	1,00	GIUNTOGIR401501	
47	104	TURBINA+RIDUTTORE	n	1,00		v.pag.105+115
48	104	MOVEMENT LEVER	n	1,00	4010007Z	
49	104	BRAKE	n	1,00	4000012	
50	104	DRAWBAR 501 GALVANISED	n	1,00	5010003Z	
51	104	HOSE OSLO 32X38	m	1,30	4010122	
52	104	CHAIN SAFETY PROTECTION 501	n	1,00	5010014	i.4000005

CONTINUA

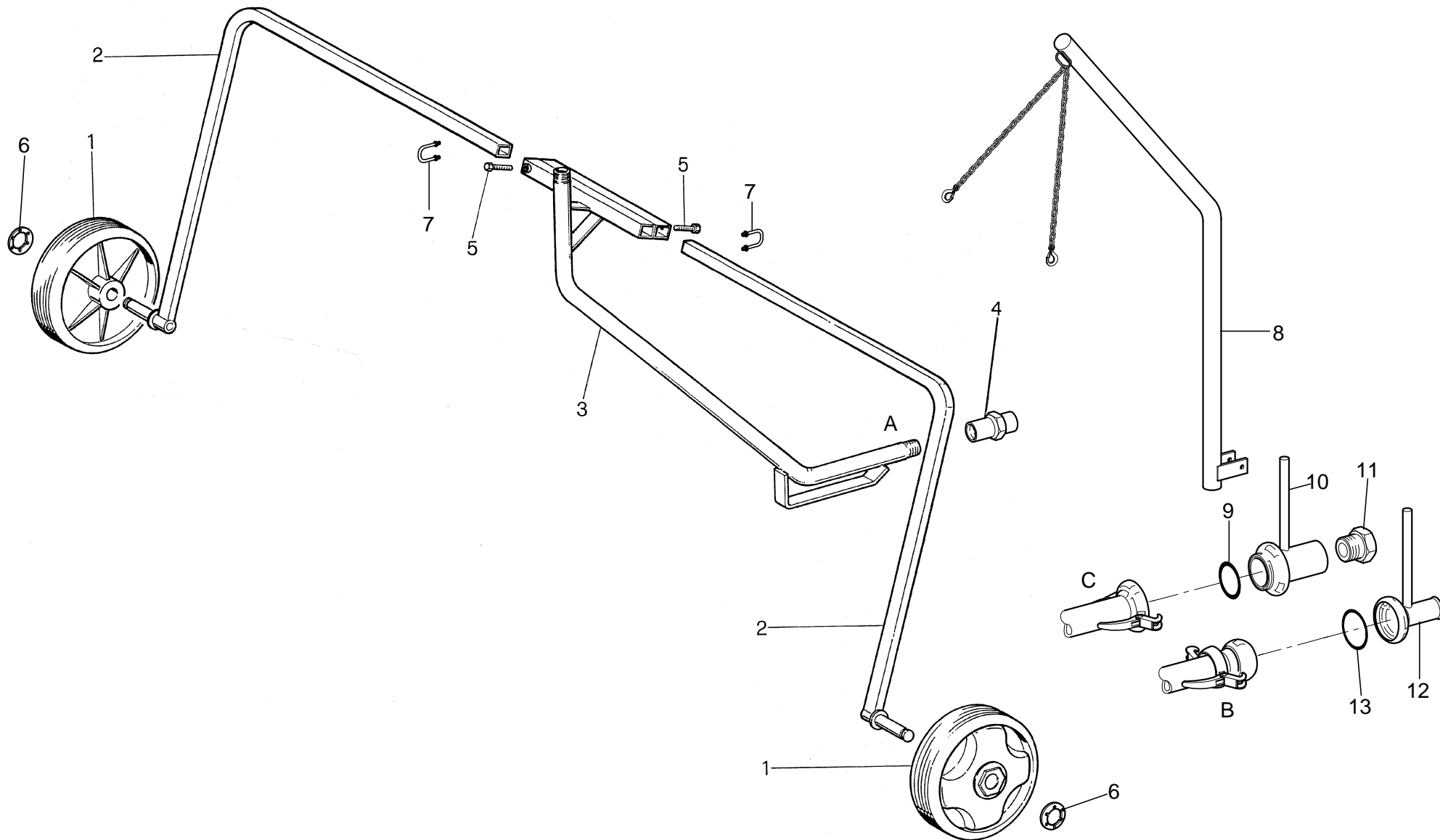
Note

**Esploso I050150150**  
**MACCHINA IRRIGAT.SPEEDY RAIN 501 TURB.50/150**

Note

POS. Pos. Pos. Pos.	PAG. Page Seite Pagina	DENOMINAZIONE Appellation Denomination Bezeichnung Denombrocion	U.M.	N.PEZZI N.Pieces N.Pieces N.Teile N.Plez	CODICE Code Code Kode Codigo	NOTE Annotation Note Aufzeichnung Nota
53	104	SCREW M5 X 15	n	2,00	4010104	
54	104	WASHER D.5 X 12	n	2,00	4010105	
55	104	M5 SELF-LOCKING NUT	n	2,00	2000207	
56	104	ELASTIC PIN D.3 X 15 ZINC.	n	2,00	4010101	
57	104	WASHER D.6 X 16	n	2,00	4010109	f.31/12/00
58	104	BAUER HK 50 SEAL	n	1,00	5400110	d.51588
58	104	FEMALE FOR CORAI JOINT W/SEAL	n	1,00	4000304	f.51587
59	104	GEARBOX SAFETY PROTECTION	n	1,00	4010011	
60	104	GALVAN.WASHER 8,4 X 1	n	6,00	2000107	
61	104	ELBOW 1 1/4" M-F	n	1,00	4010119	
62	104	PLUG FOR STOP VALVE	n	1,00	TAPPO300400	op
63	104	SCREW T.E. 6X90	n	1,00	4010140	d.1/1/01
64	104	PVC CAP FOR PIPE O.D.21	n	1,00	4000116	

Note



**RM** S.p.A.  
S. QUIRICO DI TRECASALI  
(PARMA)-ITALIA

**CARRELLO PORTA IRRIGATORE "SPEEDY RAIN" MOD. 300-400-501**  
**SPRINKLER-HOLDING CARRIER "SPEEDY RAIN" MODEL 300-400-501**  
**CHARIOT PORT-IRRIGATEUR "SPEEDY RAIN" MODÈLE 300-400-501**  
**WAGEN FÜR BEWÄSSERUNGSAPPARAT "SPEEDY RAIN" MOD. 300-400-501**  
**RIJDEND ONDERSTEL VOOR SPROEIER "SPEEDY RAIN" TYPE 300-400-501**

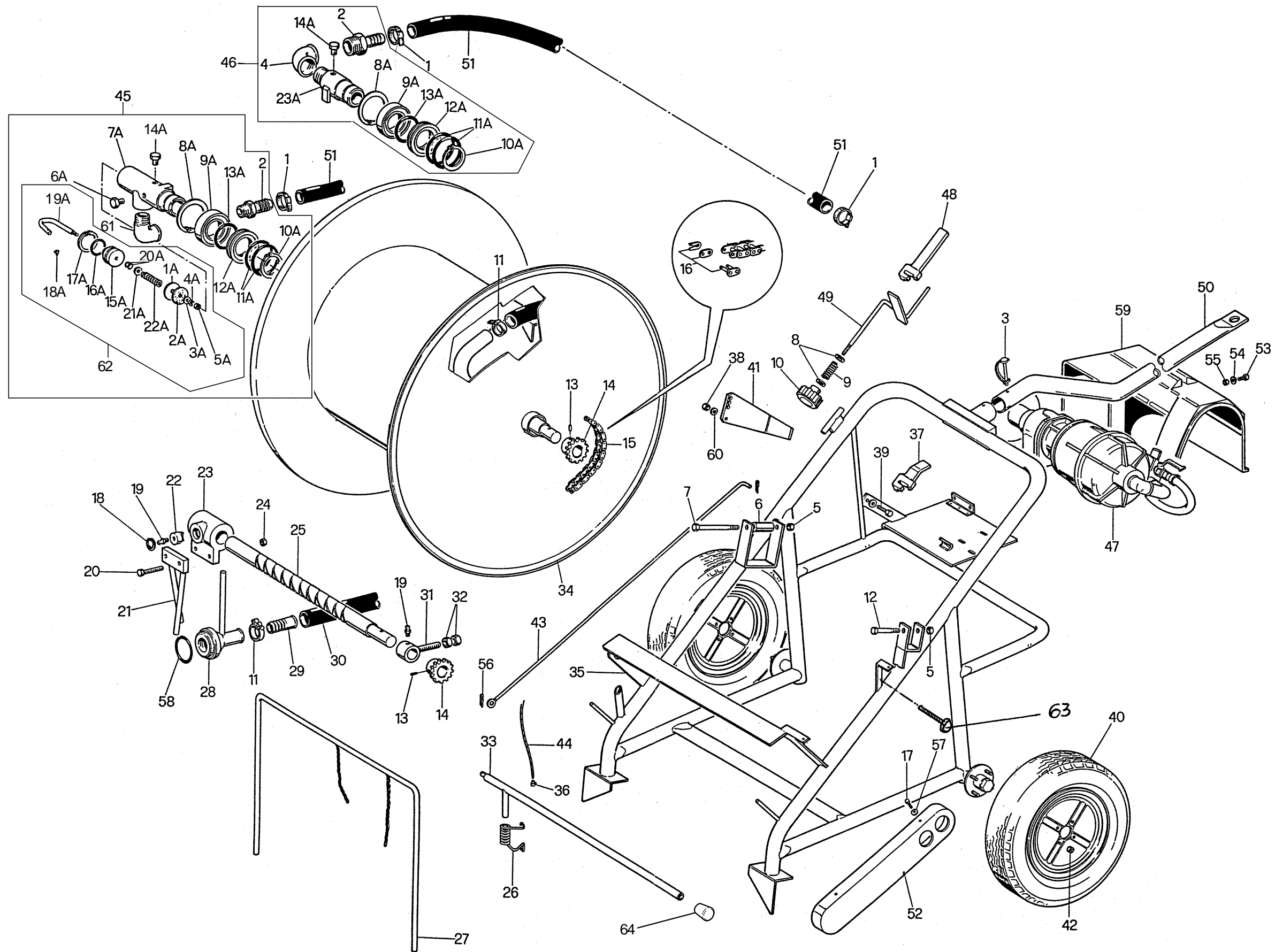
**Esploso**

**CARRELLO SERIE 400-401-501**

Note

POS. Pos. Pos. Pos.	PAG. Page Seite Pagina	DENOMINAZIONE Appellation Denomination Bezeichnung Denombrocion	U.M.	N.PEZZI N.Pieces N.Pieces N.Teile N.Plez	CODICE Code Code Kode Codigo	NOTE Annotation Note Aufzeichnung Nota
1	106	WHEEL D.200 X 50 AXLE D.20	n	2,00	2000115	i2001115
1	106	WHEEL 3.00 X 4" GARDEN 2PR	n	2,00	2001115	op
2	106	GALV. TROLLEY LEG 400-401-501	n	2,00	4000042Z	
3	106	CENTRAL BODY FOR TROLLEY 400	n	1,00	4000301	TIPO C
3	106	GALVANISED TROLLEY 400/501	n	1,00	4000023Z	TIPO B
5	106	MEDIUM NUT M 10	n	2,00	4000112	
6	106	STOP WASHER D.20	n	2,00	2000114	
7	106	TRESTLE M10	n	2,00	5400113	
8	106	BANDIERA SOST. CARRELLO + ML. 1 CATENA		1,00	4000024Z+070143	
8	106	CHAIN N.16 D. 2.8X16	m	1,00	070143	
9	106	FEMALE FOR CORAI JOINT W/SEAL	n	1,00	4000304	
10	106	CORAI JOINT M+F GR D48/38 SF	n	1,00	4000303	
11	106	ADAPT. 1" F - 1"1/4 M	n	1,00	4000108	
12	106	COUPLING FOR PE 40 HOSE	n	1,00	4000022Z	400-401
12	106	HOSE TAIL MOD.501	n	1,00	5010015Z	501
13	106	BAUER HK 50 SEAL	n	1,00	5400110	
13	106	GIUNTO CORAI COMPLETO M+F 48/38	n	1,00	4000303+4000304	

Note



**RM** S.p.A.  
S. QUIRICO DI TRECASALI  
(PARMA)-ITALIA

IRRIGATORE SEMOVENTE "SPEEDY RAIN" MOD. 501 (TUBO Ø50 DA m 150 ÷ 170)  
 SELF-PROPELLED SPRINKLER "SPEEDY RAIN" MODEL 501 (PIPE Ø50 FROM m 150 ÷ 170)  
 IRRIGATEUR AUTOMOTEUR "SPEEDY RAIN" MODÈLE 501 (TUYAU Ø50 DE m 150 ÷ 170)  
 SELBSTFAHRENDER BEWÄSSERUNGSAPPARAT "SPEEDY RAIN" MOD. 501 (RÖHRE Ø50 VON m 150 ÷ 170)  
 ZELFRIJDANDE SPROEIER "SPEEDY RAIN" TYPE 501 (BUS MIDDELIJN 50 VAN 150 METER AAN 170 METER)

Pag.104

Rev.01  
11/2010

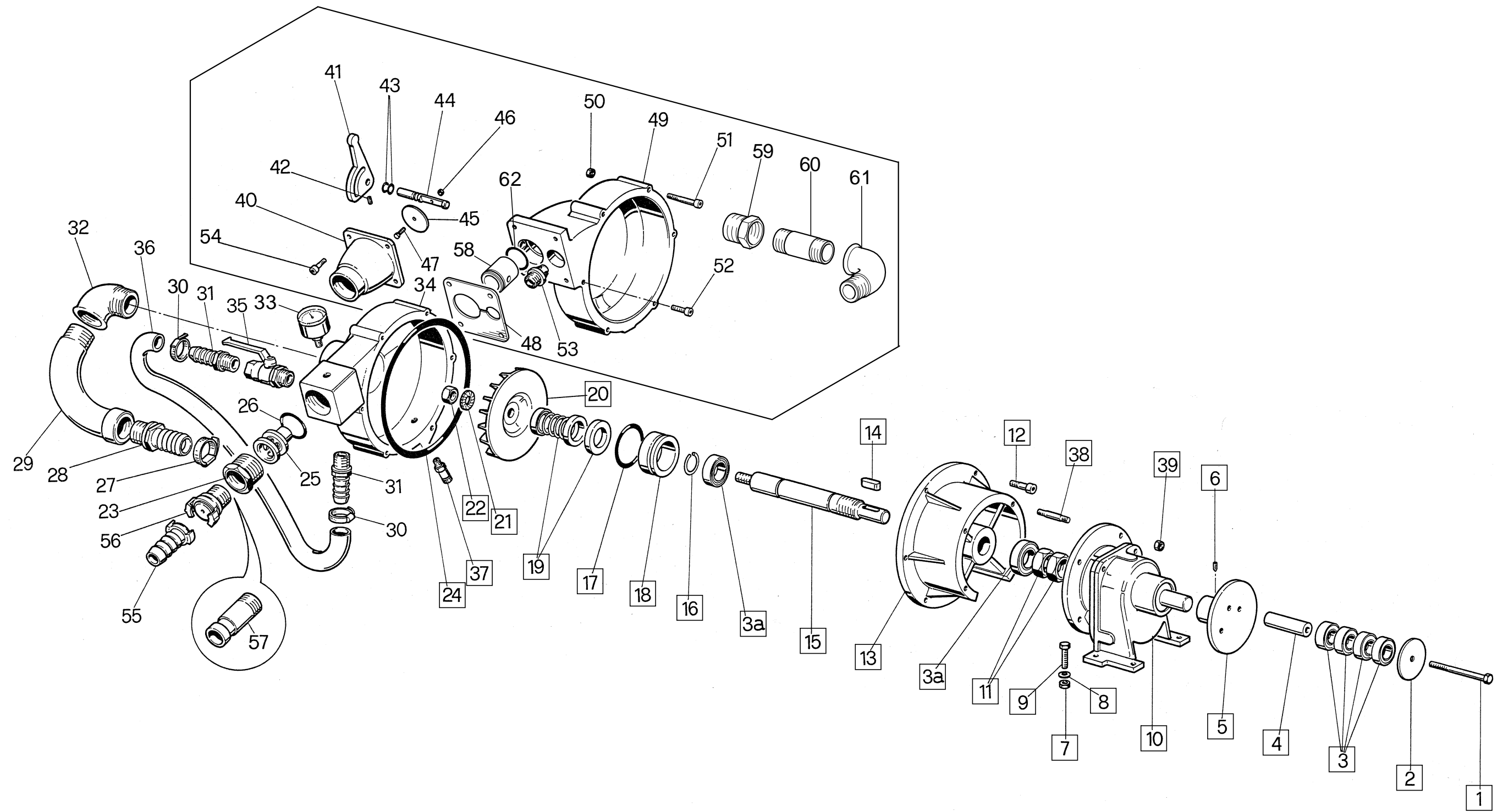
**Esploso ACQUAST401501**  
**SPEEDY 501 - ACQUASTOP MOD. 401-501 - POS.A:**

Note

POS. Pos. Pos. Pos.	PAG. Page Seite Pagina	DENOMINAZIONE Appellation Denomination Bezeichnung Denombrocion	U.M.	N.PEZZI N.Pièces N.Pieces N.Teile N.Plez	CODICE Code Code Kode Codigo	NOTE Annotation Note Aufzeichnung Nota
1	104	ALL. WASHER	n	1,00	3000012	
2	104	RUBBER PLUG	n	1,00	3000013	
3	104	WASHER 5,5 X 25	n	1,00	3000021	+ POS. 4
4	104	-->> VEDERE POS.3				
5	104	M5 SELF-LOCKING NUT	n	1,00	2000207	
6	104	PLUG 1/8" M GALVANISED	n	1,00	4010141	
7	104	STOP VALVE BODY	n	1,00	3001006Z	d.1/1/01
7	104	INLET PIPE	n	1,00	3000006	f.31/12/00
8	104	SEEGER I 68	n	1,00	3000109	
9	104	BEARING 6008 2RS 40X68X15	n	1,00	CUS60082RS	
10	104	SEEGER E40	n	1,00	3000103	
11	104	OR 3250 "CORTECO"	n	2,00	3000102	f.31/12/00
12	104	BEARING SPACER	n	1,00	3000020	f.31/12/00
13	104	OR 6162 40.64X5.33"CORTECO"	n	1,00	3000101	
14	104	PLUG GJ 1/4"M.	n	1,00	5800208	
15	104	COVER FOR STOP VALVE 300/400	n	1,00	3000014	
16	104	OR 3137 "CORTECO"	n	1,00	3000107	
17	104	SEEGER I 40	n	1,00	3000106	
18	104	HOLDFAST FOR CABLE ART.AMA302	n	1,00	2000124	
19	104	STOP VALVE DRIVE LEVER	n	1,00	3000016	
20	104	OR 2031	n	2,00	2000210	
21	104	GALVAN.WASHER 8,4 X 1	n	1,00	2000107	
22	104	SPRING FOR CLOSING PLUG	n	1,00	2000009	

Note





comune per entrambe le versioni

**RM** S.p.A.  
S. QUIRICO DI TRECASALI  
(PARMA)-ITALIA

**TURBINA RIDUTTORE MOD. 401 - 501**  
**REDUCTION GEAR TURBINE MODEL 401 - 501**  
**TURBINE REDUCTEUR MODELE 401 - 501**  
**TURBINENVERMINDERER MOD. 401 - 501**  
**TURBINEVERLOOPSTUK TYPE 401 - 501**

**Esploso TUR401**  
**TURBINA RIDUTTORE 401-501 (401 F.411830) (501 F.51746)**

Note

POS. Pos. Pos. Pos.	PAG. Page Seite Pagina	DENOMINAZIONE Appellation Denomination Bezeichnung Denombrocion	U.M.	N.PEZZI N.Pieces N.Pieces N.Teile N.Plez	CODICE Code Code Code Codigo	NOTE Annotation Note Aufzeichnung Nota
1	105	SCREW M8 X55 T.E.	n	1,00	4010111	
2	105	GALV.WASHER FOR LEVER	n	1,00	4010016Z	
3	105	BEARING 6202 2RS	n	4,00	4010110	
3	105	BEARING 6202 2 RS FAG	n	2,00	4011110	3a
4	105	BUSH FOR 4 BEARINGS	n	1,00	4010010	
5	105	GALV. PLATE FOR LEVERS MOVEMENT	n	1,00	4010008Z	
5	105	GALV. PLATE FOR LEVERS MOVEMENT	n	1,00	5010008Z	
6	105	SCREW M6X8 CONIC POINT	n	1,00	2000214	
7	105	NUT M8	n	4,00	4010107	
8	105	GALVAN.WASHER 8,4 X 1	n	4,00	2000107	
9	105	SCREW M8 X 30 T.E.	n	4,00	4010106	
10	105	GEARBOX VARVEL 02 B3 R.1:34,68	n	1,00	4010143	d.411651
10	105	VARVEL GEARBOX 12 B3 H 1:39,08	n	1,00	5010108	d.51591 f.51746
10	105	GEARBOX VARVEL FRC 210 1:38	n	1,00	5010105	f.51590 (2005)
10	105	GEARBOX VARVEL FRC 205 B3-	n	1,00	4010123	f.411650 (2005)
11	105	NUT M14 X 1,5 LOW	n	2,00	4010131	
12	105	SCREW TCEI M6 X 30	n	2,00	4010132	
13	105	TURBINE COVER	n	1,00	4010002	
14	105	COTTER 4X4X15	n	1,00	4010130	
15	105	TURBINE SHAFT	n	1,00	4010004	
16	105	RING A-14 UNI 7433/75	n	1,00	4010129	
17	105	OR 2125	n	1,00	4010127	
18	105	SPACER FOR MECHANICAL SEAL	n	1,00	4010006	
19	105	SEAL PR/PNT 15X28 -71500195-	n	1,00	4010125	
20	105	TURBINE IMPELLER	n	1,00	4010003	
21	105	GALVAN.WASHER 8,4 X 1	n	1,00	2000107	
22	105	SELFLOCKING NUT M8	n	1,00	4010103	

CONTINUA

Note

**Esploso TUR401**  
**TURBINA RIDUTTORE 401-501 (401 F.411830) (501 F.51746)**

Note

POS. Pos. Pos. Pos.	PAG. Page Seite Pagina	DENOMINAZIONE Appellation Denomination Bezeichnung Denombrocion	U.M.	N.PEZZI N.Pieces N.Teile N.Plez	CODICE Code Code Kode Codigo	NOTE Annotation Note Aufzeichnung Nota
23	105	ADAPT. 1" F - 1"1/4 M	n	1,00	4000108	f.Dic.96
24	105	OR 3625 (2.164) CORTECO	n	1,00	4010126	
25	105	NOZZLE	n	1,00	4010005	f.51225
25	105	NOZZLE	n	1,00	4010005	f.41759
26	105	OR 2081	n	1,00	4010128	f.41759-f.51225
27	105	CLAMP 39-43	n	1,00	4000106	
28	105	COUPLING M.1"1/4 X 32	n	1,00	4010120	
29	105	CURVE 1 1/4" M-F	n	1,00	4010118	f.41759
30	105	CLAMP 25X35 TERRY	n	2,00	4010112	f.41759
31	105	MALE JOINT 3/4" X 22	n	2,00	4010116	f.41759
32	105	ELBOW 1 1/4" M-F	n	1,00	4010119	f.41759
33	105	MANOMETER 1/8"	n	1,00	3000110	
34	105	TURBINE FRAME	n	1,00	4010001	f.41759
35	105	BALL VALVE M-F EXPORT 3/4"	n	1,00	4010115	f.41759
36	105	HOSE MONTREAL 10 D.22X30	m	0,60	4010114	f.41759
37	105	DRAINING VALVE FOR TURBINE	n	1,00	4010102	
38	105	PRIGIONIERO M8x30	n	4,00		c.pos.10
39	105	NUT M8	n	4,00	4010107	
40	105	GALV.TURB. INLET CONE	n	1,00	4010025Z	d.41760-d.51226
41	105	BY-PASS LEVER	n	1,00	4010021Z	d.41760-d.51226
42	105	SCREW M5X8 CONIC POINT	n	1,00	4010113	d.41760-d.51226
43	105	OR 108	n	2,00	5800213	d.41760-d.51226
44	105	BY-PASS VALVE SHAFT	n	1,00	4010020	d.41760-d.51226
45	105	THROTTLE VALVE FOR BY-PASS	n	1,00	4011017	d.41960
45	105	INOX WASHER FOR BY-PASS	n	1,00	4010017	d.41760-f.41959-d.51226
46	105	M5 SELF-LOCKING NUT	n	1,00	2000207	d.41760-d.51226
47	105	SCREW M5 X 15	n	1,00	4010104	d.41760-d.51226

CONTINUA

Note

**Esploso TUR401**  
**TURBINA RIDUTTORE 401-501 (401 F.411830) (501 F.51746)**

Note

POS. Pos. Pos. Pos.	PAG. Page Seite Pagina	DENOMINAZIONE Appellation Denomination Bezeichnung Denombrocion	U.M.	N.PEZZI N.Pieces N.Pieces N.Teile N.Plez	CODICE Code Code Kode Codigo	NOTE Annotation Note Aufzeichnung Nota
48	105	RUBBER SEAL TURBINE 401	n	1,00	4010019	d.41760-d.51226
49	105	TURBINE FRAME	n	1,00	4011001	d.41760-d.51226
50	105	MEDIUM NUT M 6	n	5,00	4010117	d.41760-d.51226
51	105	SCREW TCEI M6 X 65	n	5,00	4010137	d.41760-d.51226
52	105	SCREW TCEI M6 X 30	n	1,00	4010132	d.41760-d.51226
53	105	NOZZLE K1 (D.12)	n	1,00	4010135	Ø ...
54	105	SCREW TE M 8 X 20	n	1,00	4010136	d.41760-d.51226
55	105	JOINT SWIFT DN 32	n	1,00	4000109	
56	105	MALE SWIFT 1"1/4	n	1,00	4010133	d.Gen.97
56	105	MALE SWIFT 1"	n	1,00	2000103	f.Dic.96
57	105	TURBINE INLET JOINT	n	1,00	5010013	f.51225
58	105	BY PASS ADAPTATION	n	1,00	4010022	d.41960
59	105	ADAPTATION 1"1/2M-1"1/4F	n	1,00	4010139	d.41760-d.51226
60	105	TRONCHETTO 1" 1/4 L.1002FIL.Z.	n	1,00		d.41760-d.51226
61	105	ELBOW F-F 1"1/4	n	1,00	4010121	d.41760-d.51226
62	105	OR 3168	n	1,00	4010138	d.41960
AA	105					
AA	105	TURBINE 401	n	1,00	TUR401	f.411830
AA	105	POS.3A-11-12-14-15-16-17-18-19-20-21-22-24-		1,00		
AA	105	28-33-37-38-39-40-41-42-43-50-51-52-53-54-55-				
AA	105	56-59-61-62-63-64				
BB	105					
BB	105	TURBINE 501	n	1,00	TUR501	f.51746
BB	105	POS.3A-11-12-14-15-16-17-18-19-20-21-22-24-		1,00		
BB	105	28-33-37-38-39-40-41-42-43-50-51-52-53-54-55-				
BB	105	56-59-61-62-63-64				

Note