

Esploso A10804
ALA PIOVANA ACCIAIO 50 ML G51

Note

POS. Pos. Pos. Pos.	PAG. Page Seite Pagina	DENOMINAZIONE Appellation Denomination Bezeichnung Denombrocion	U.M.	N.PEZZI N.Pieces N.Pieces N.Teile N.Plez	CODICE Code Code Code Codigo	NOTE Annotation Note Aufzeichnung Nota
1	53	BRASS NOZZLE 2 CUTS	n	42,00	0100018	
1	53	BRASS NOZZLE 1 CUT	n	4,00	0100017	
2	53	BRASS FINAL NOZZLE	n	2,00	0100009	
2	53	1/2-1/2 FAST COUPLING	n	2,00	0100129	
2	53	"T" 1/2 F+F+F COUPLING	n	2,00	0100128	
3	53	FINAL ARM	n	2,00	0100014Z	
4	53	THIRD ARM	n	2,00	0100013Z	
5	53	SECOND ARM	n	2,00	0100012Z	
6	53	FIRST ARM	n	2,00	0100011Z	
7	53	FIRST ARM 50M BOOM	n	2,00	0100022Z	
8	53	D.48 FERRARI SEAL	n	2,00	0100101	
9	53	D.60 FERRARI SEAL	n	4,00	0100102	
10	53	D.80 FERRARI SEAL	n	4,00	0100103	
11	53	SUPPORT FOR CABLE REWINDING	n	4,00	0100010Z	
12	53	TRAIANGLE FOR 40M BOOM	n	1,00	0100001Z	
13	53	PIN FOR TROLLEY ADJUSTING D.14	n	1,00	5800042Z	
14	53	40M BOOM COLUMN	n	1,00	0100002Z	
15	53	40M BOOM BALANCE ROLLER	n	2,00	0100007	
16	53	LOCKING PIN	n	1,00	0100008Z	
17	53	FLANGE DIVIDED IN TWO PARTS	n	2,00	0100005Z	
18	53	COLUMN SUPPORT	n	1,00	0100004Z	
19	53	OR 6350 FOR COLUMN	n	2,00	0100104	
20	53	SPACER	n	6,00	0100006Z	
21	53	CLAMP GOLD 79-86	n	2,00	5700103	
22	53	FLAT PIPE TECHFLEX D.80MM	m	0,62	5700114	
23	53	CABLES SUPPORTING ARM	n	1,00	0100020Z	
24	53	CABLE D.3 L=22100 TEL 2 19	n	4,00	0100118	

CONTINUA

Note

RM SPA
 Via Provinciale per Cremona 41 - Fraz. San Quirico
 43010 Trecasali (PR)
 Tel 0521 872221 - Fax 0521 874027
 Cod. Fisc e Part.IVA 00153210349

Controllo Esploso 10/0000040
 Data Creazione 14/12/2010
 Data Ult. Modifica 25/11/2011 Ora 17:05

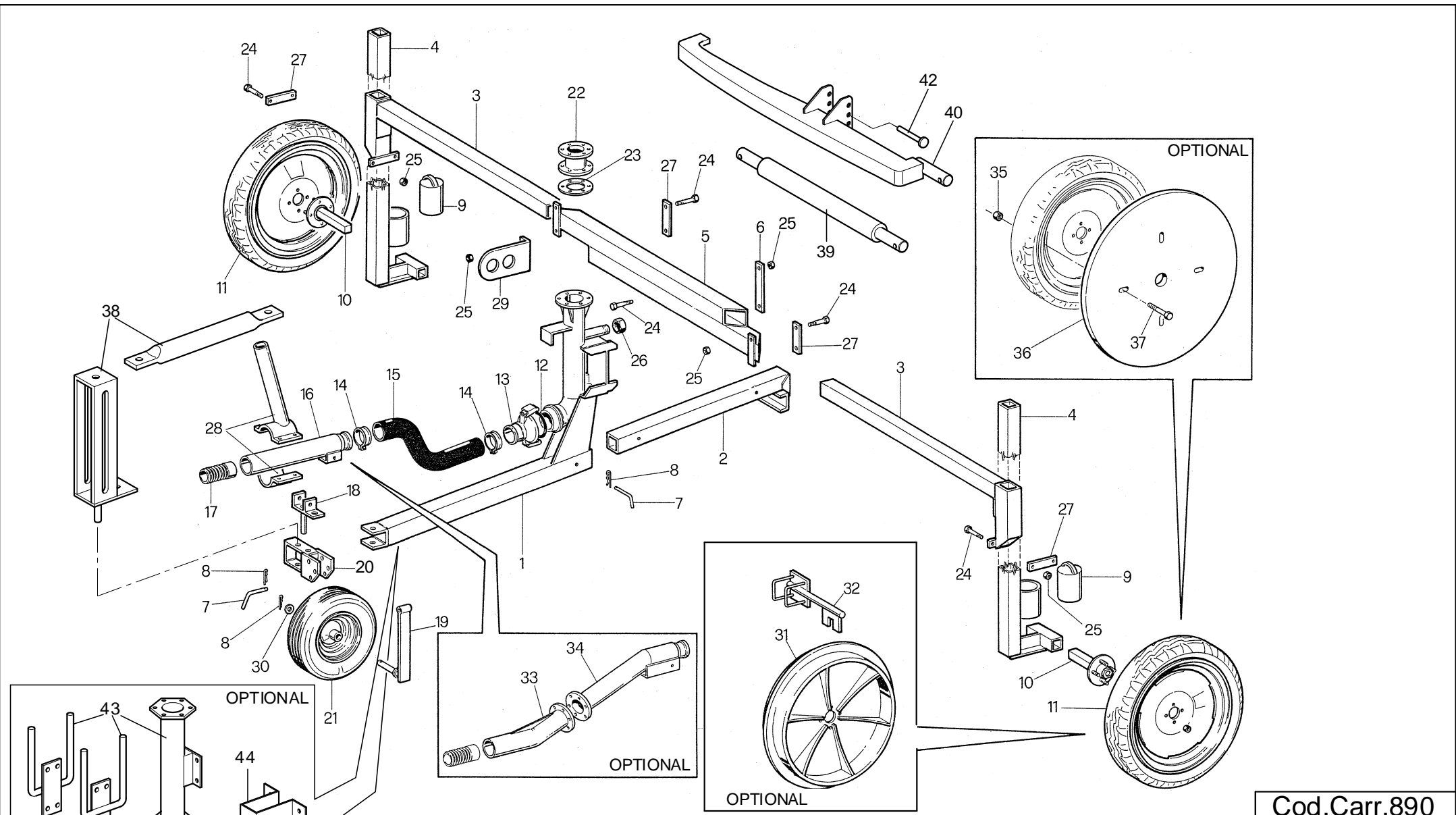
Stampa del 25/11/2011

Esploso A10804
ALA PIOVANA ACCIAIO 50 ML G51

Note

POS. Pos. Pos. Pos.	PAG. Page Seite Pagina	DENOMINAZIONE Appellation Denomination Bezeichnung Denombrocion	U.M.	N.PEZZI N.Pieces N.Pieces N.Teile N.Plez	CODICE Code Code Kode Codigo	NOTE Annotation Note Aufzeichnung Nota
25	53	CABLE D.3 L=16480 TEL 2 19	n	4,00	0100117	
26	53	CABLE D.3 L=10890 TEL 2 19	n	4,00	0100116	
27	53	CABLE D.3 L=5660 TEL 2 19	n	4,00	0100115	
28	53	GALV.PIN M/8 (5/16")	n	16,00	0100110	
29	53	GALV.PIN M/6 (1/4")	n	16,00	0100107	
30	53	TIE + JOINT WITH NUTS	n	16,00	0100111	
31	53	MANOMETER D.50 1/4"	n	1,00	0100105	
32	53	RUBBER UNIVERSAL SEAL	n	1,00	5800072	I.58000462
33	53	RELEASE BAND	n	1,00	0100019	OP-Ø PE
34	53	CABLES KIT FOR 50M BOOM	n	1,00	0100023	
34	53	POS.24-25-26-27-28-29-30				

Note



Cod.Carr.890

RM S.p.A.
 S. QUIRICO DI TRECASALI
 (PARMA)-ITALIA

CARRELO PORTA IRRIGATORE VERSIONE 99 MOD. 890 GX - 990 GX - ALA PIOVANA
SPRINKLER-HOLDING CARRIER VERSION 99 MODEL 890 GX - 990 GX - RAIN PADDLE
CHARIOT PORT-IRRIGATEUR VERSION 99 MODÈLE 890 GX - 990 GX - AILE DE PLUIE
WAGEN FÜR BEWÄSSERUNGSAPPARAT VERSION 99 MOD. 890 GX - 990 GX - REGENFLÜGEL
RIJDEND ONDERSTEL VOOR SPROEIER MODEL 99 TYPE 890 GX - 990 GX - REGENVLEUGEL

Pag.32
 Rev.01
 11/2010

Esploso CARR890
CARRELLO 890-990 ALA ML.40

Note

POS. Pos. Pos. Pos.	PAG. Page Seite Pagina	DENOMINAZIONE Appellation Denomination Bezeichnung Denombrocion	U.M.	N.PEZZI N.Pieces N.Teile N.Plez	CODICE Code Code Kode Codigo	NOTE Annotation Note Aufzeichnung Nota
1	32	890-BOOM TROLLEY CENTRAL BODY	n	1,00	01400019Z	
2	32	DRAWBAR FOR 890-BOOM TROLLEY	n	1,00	014000110Z	
3	32	LEGS SUPPORT TROLLEY 890	n	2,00	01400015Z	
4	32	890 TROLLEY LEG	n	2,00	01400016Z	
5	32	CROSSIN GPIPE FOR LEGS SUPPORT TROLLEY 890	n	1,00	01400014Z	
6	32	PLATE FOR CROSSING PIPE FIXING	n	2,00	01400011Z	
7	32	PIN FOR TROLLEY ADJUSTING D.14	n	3,00	5800042Z	
8	32	PIN COOP 03 AMA	n	2,00	COOP03AMA	
9	32	COUNTERBALANCE WEIGHT	kg	49,00	BILLETTE	ml.0,40 x 2
10	32	WHEEL AXLE BALILLA 35Z35X200	n	2,00	5800103	
11	32	WHEEL 125 D70 15	n	2,00	5800104	PN
12	32	GUARNIZIONE Ø 80 FERRRI	n	1,00		
13	32	D.80 FEMALE JOINT WITH HOSE TAIL	n	1,00	580201811Z	
14	32	CLAMP GOLD 86-95	n	2,00	5800137	
15	32	HOSE ROMAGNA 15 80X93	m	1,10	5500102	
16	32	TAIL FOR 581 TROLLEY	n	1,00	58020188Z	
17	32	PE HOSE ENTRANCE	n	1,00	5500033	GR-Ø PE
18	32	SHAFT FOR WHEELS ROTATION ON TROLLEY 581 GX	n	1,00	58020187Z	
19	32	SUPPORT FOR FRONT WHEEL ON TROLLEY 581 GX	n	1,00	58020183Z	
20	32	SUPPORT FOR WHEEL GROUP TROLLEY 581 GX	n	1,00	58020182Z	
21	32	TROLL.WHEEL16.650X8"RIGATA 4PR	n	1,00	5800149	
22	32	COUPLING FOR EXPLORER GUN	n	1,00	7000065Z	Ø 120-125-140
23	32	RUBBER UNIVERSAL SEAL	n	1,00	5800072	I.58000461
24	32	VITE FISSAGGIO SFILI+TRAVERSA	n	16,00		
25	32	DADO FISSAGGIO	n	16,00		
26	32	1" F PLUG	n	1,00	5800171	
27	32	PLATE FOR LEGS FIXING ON TROLLEY 890	n	6,00	014000113Z	

CONTINUA

Note

Esploso CARR890
CARRELLO 890-990 ALA ML.40

Note

POS. Pos. Pos. Pos.	PAG. Page Seite Pagina	DENOMINAZIONE Appellation Denomination Bezeichnung Denombrocion	U.M.	N.PEZZI N.Pièces N.Pieces N.Teile N.Plez	CODICE Code Code Kode Codigo	NOTE Annotation Note Aufzeichnung Nota
28	32	FIXING PIPE ON TROLLEY 890	n	1,00	014000114Z	
29	32	CHAIN CONNECTING POINT FOR TROLLEY 890	n	2,00	014000112Z	
30	32	RONDELLA Ø 26				
31	32	CAST IRON WHEELS	n	2,00	5800604	OP
32	32	WHEELS-SCRAPERS FOR CAST IRON WHEELS	n	2,00	5800605Z	OP
33	32	SPECIAL FINAL PIPE FOR STANDARD TROLLEY	n	1,00	9900037Z	OP
34	32	TROLLEY ADAPTER	n	1,00	9900038Z	OP
35	32	DADO FISSAGGIO DISCHI	n	8,00		OP
36	32	TROLLEY WHEELS DISK	n	2,00	5800601	OP
37	32	VITE FISSAGGIO DISCHI	n	8,00		OP
38	32	TROLLEY GUIDE FOR 990	n	1,00	0140005Z	OP
39	32	TROLLEY DRAGGING	n	1,00	5800061	OP
40	32	BAR FOR ASYMMETRIC TROLLEY	n	1,00	0160001	OP
42	32	DRAWBAR PIN	n	1,00	7000032Z	OP
43	32	KIT ASYMMETRIC TROLLEY	n	1,00	0140004Z	OP
44	32	DISPOSITIVO SOLL.CARR. 890 ZINC.	n	1,00	0140019Z	OP
45	32	890 TROLLEY CARPENTRY	n	1,00	0140001	
45	32	POS.1-2-3-4-5-6-13-18-19-20-27-28-29				
46	32	890-990GX AND 40M BOOM TROLLEY	n	1,00	CARR890	
46	32	POS.1-2-3-4-5-6-7-8-9-10-11-12-13-14-15-19-20-21-24-25-26-27-28				

Note