

**RM** S.p.A.  
S. QUIRICO DI TRECASALI  
(PARMA)-ITALIA

IRRIGATORE SEMOVENTE "SPEEDY RAIN" MOD. 401 (TUBO Ø40 DA m 110 ÷ 140)  
 SELF-PROPELLED SPRINKLER "SPEEDY RAIN" MODEL 401 (PIPE Ø40 FROM m 110 ÷ 140)  
 IRRIGATEUR AUTOMOTEUR "SPEEDY RAIN" MODÈLE 401 (TUYAU Ø40 DE m 110 ÷ 140)  
 SELBSTFAHRENDER BEWÄSSERUNGSAPPARAT "SPEEDY RAIN" MOD. 401 (RÖHRE Ø40 VON m 110 ÷ 140)  
 ZELFRIJDANDE SPROEIER "SPEEDY RAIN" TYPE 401 (BUIS MIDDELLIJN 40 VAN 110 METER AAN 140 METER)

Pag.103  
Rev.01  
11/2010

**Esploso I040140110**  
**MACCHINA IRRIGAT.SPEEDY RAIN 401 (F.411943)**

Note

POS. Pos. Pos. Pos.	PAG. Page Seite Pagina	DENOMINAZIONE Appellation Denomination Bezeichnung Denombrocion	U.M.	N.PEZZI N.Pieces N.Pieces N.Teile N.Plez	CODICE Code Code Code Codigo	NOTE Annotation Note Aufzeichnung Nota
1	103	TURBINE + GEARBOX 401	n	1,00	TURRID401	V.PAG.105+115
2	103	COUPLING M.1"1/4 X 32	n	1,00	4010120	
3	103	PIN D.8	n	1,00	3000117	
4	103	TURBINE-GEARBOX SUPPORT FOR FRD02 GALV. (GREY COLOUR)	n	1,00	4011012Z	d.411652-f.411821
4	103	TURBINE-GEARBOX SUPPORT	n	1,00	4010012	f.411651-d.411822-f.411829
4	103	TURB.-GEARBOX SUPP.FOR FRD02 WITH TURB."M" FLANGED	n	1,00	4012012Z	d.411830
5	103	SELF-LOCKING NUT M10	n	2,00	3000125	
6	103	SPACER	n	1,00	3000015	
7	103	SCREW M10 X 100 TE	n	1,00	4000107	
8	103	GALV.WASHER 13 X 24	n	2,00	2000109	
9	103	GALVAN.SPRING	n	1,00	3000017	
10	103	HUB D.50 M12	n	1,00	4000105	
11	103	CLAMPS 35-40	n	3,00	4000117	
12	103	SCREW M10X60 T.E.	n	1,00	3000124	
13	103	ELASTIC PIN D.6 X 45	n	2,00	4000103	
14	103	PINION 3/8" Z 19	n	2,00	4000010	
15	103	CHAIN 3/8" S	m	1,31	4000101	
16	103	CHAIN CONNECTING MESH 3/8" S	n	1,00	4000102	
17	103	SCREW M6 X 10 T.E.	n	2,00	4010108	
18	103	SEEGER I 30	n	1,00	4000113	
19	103	GREASER M6X1	n	2,00	5800175	
20	103	SCREW M 10 X 40 TE	n	2,00	4000111	
21	103	HOSEGUIDE FORK	n	1,00	4000020	f.31/12/00
21	103	HOSEGUIDE FORK	n	1,00	4001020Z	d.1/1/01
22	103	PAWL SERIE 400	n	1,00	4000018	
23	103	CAST IRON HOSEGUIDE	n	1,00	4000019Z	
24	103	MEDIUM NUT M 10	n	2,00	4000112	

CONTINUA

Note

**Esploso I040140110**  
**MACCHINA IRRIGAT.SPEEDY RAIN 401 (F.411943)**

Note

POS. Pos. Pos. Pos.	PAG. Page Seite Pagina	DENOMINAZIONE Appellation Denomination Bezeichnung Denombrocion	U.M.	N.PEZZI N.Pieces N.Pieces N.Teile N.Plez	CODICE Code Code Code Codigo	NOTE Annotation Note Aufzeichnung Nota
25	103	ENDLESS SCREW	n	1,00	4000009	
26	103	GUN SIME K 1	n	1,00	GETK1	
27	103	ADAPT. 1" F - 1"1/4 M	n	1,00	4000108	
28	103	GUN PLATE MOD.400	n	1,00	3000018	f.411571
28	103	SUPPORTING PLATE WITH BAUER M.48 COUPLING	n	1,00	3001018Z	d.411572
29	103	HOSE TAILS D33	n	1,00	TRONCHD33	
30	103	40/110 PER HOSE	n	1,00	TBD0400350110	ml.110/140
31	103	CHAIN TIE	n	1,00	4000006Z	
32	103	NUT M 14 LOW	n	2,00	4000110	
33	103	400/401 STOP CHASSIS	n	1,00	4000008Z	
34	103	DRUM MOD.40	n	1,00	4000002	
35	103	RELEASING BAR	n	1,00	4010014Z	
36	103	HOLDFAST FOR CABLE ART.AMA302	n	1,00	2000124	
37	103	STOP LEVER MOD.200	n	1,00	2000005Z	
38	103	RETURN RELEASING	n	1,00	4010013Z	
39	103	SCREW M8 X 30 T.E.	n	5,00	4010106	
40	103	WHEEL 4.80/4.00-80 + BEAR.D.25	n	2,00	4000104	
41	103	WASHER 26 X 44 X 3.5	n	2,00	3000126	
42	103	SEEGER E 25	n	2,00	3000111	
43	103	ELBOW F-F 1"1/4	n	1,00	4010121	
44	103	GALV.STEEL CABLE WITH HEAD	n	1,00	2000116	
45	103	STOP VALVE MOD. 401-501	n	1,00	ACQUAST401501	op
46	103	TURNING COUPLING 401-501	n	1,00	GIUNTOG401501	
47	103	GEARBOX SAFETY PROTECTION	n	1,00	4010011	
48	103	MOVEMENT LEVER	n	1,00	4010007Z	
49	103	BRAKE	n	1,00	4000012	
50	103	400/401 DRAWBAR	n	1,00	4000007Z	

CONTINUA

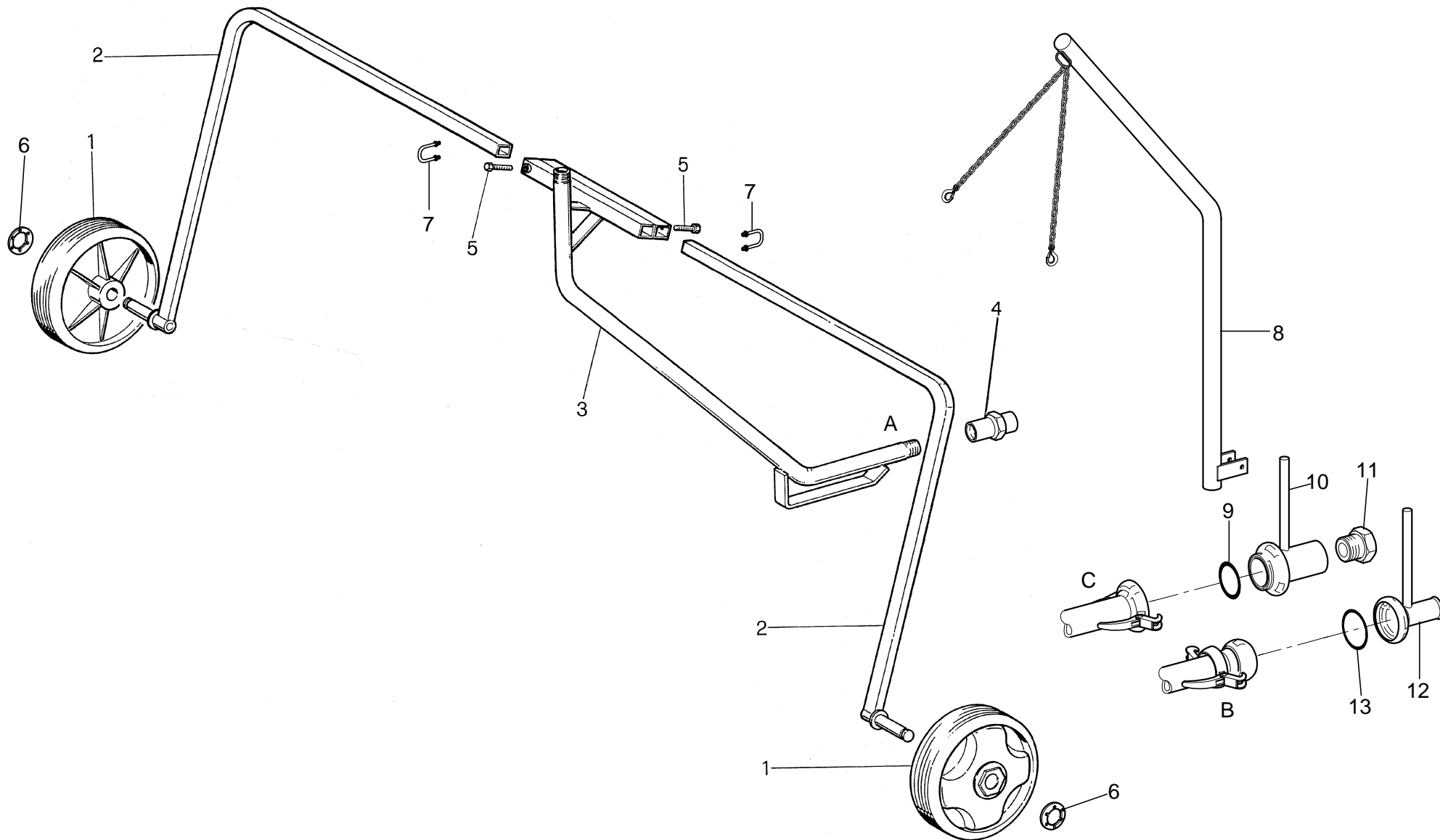
Note

**Esploso I040140110**  
**MACCHINA IRRIGAT.SPEEDY RAIN 401 (F.411943)**

Note

POS. Pos. Pos. Pos.	PAG. Page Seite Pagina	DENOMINAZIONE Appellation Denomination Bezeichnung Denombrocion	U.M.	N.PEZZI N.Pièces N.Pieces N.Teile N.Plez	CODICE Code Code Kode Codigo	NOTE Annotation Note Aufzeichnung Nota
51	103	CLAMP 39-43	n	2,00	4000106	
52	103	DRUM-GUIDE SPRING	n	1,00	4000016	
53	103	SCREW M5 X 15	n	2,00	4010104	
54	103	WASHER D.5 X 12	n	2,00	4010105	
55	103	M5 SELF-LOCKING NUT	n	2,00	2000207	
56	103	ELASTIC PIN D.3 X 15 ZINC.	n	2,00	4010101	
57	103	SELFLOCKING NUT M8	n	1,00	4010103	
58	103	GALVAN.WASHER 8,4 X 1	n	6,00	2000107	
59	103	CHAIN SAFETY PROTECTION 401	n	1,00	4001005	f4000005
59	103	SAFETY PROTECTION	n	1,00	4000005	
60	103	WASHER D.6 X 16	n	2,00	4010109	
61	103	CHASSIS SERIE 400-401	n	1,00	4001001	
61	103	CHASSIS MOD.400	n	1,00	4000001	
62	103	ADAPT. 1" F - 1"1/4 M	n	1,00	4000108	
63	103	FEMALE FOR CORAI JOINT W/SEAL	n	1,00	4000304	f.411571
64	103	CORAI JOINT M+F GR D48/38 SF	n	1,00	4000303	f.411571
65	103	HOSE OSLO 32X38	m	1,10	4010122	
66	103	ELBOW 1 1/4" M-F	n	1,00	4010119	
67	103	PLUG FOR STOP VALVE	n	1,00	TAPPO300400	
68	103	NOZZLE K1 (D.12)	n	1,00	4010135	Ø .....
69	103	PVC CAP FOR PIPE O.D.21	n	1,00	4000116	
70	103	COUPLING FOR PE 40 HOSE	n	1,00	4000022Z	d.411572
71	103	BAUER HK 50 SEAL	n	1,00	5400110	d.411572

Note



**RM** S.p.A.  
 S. QUIRICO DI TRECASALI  
 (PARMA)-ITALIA

**CARRELLO PORTA IRRIGATORE "SPEEDY RAIN" MOD. 300-400-501**  
**SPRINKLER-HOLDING CARRIER "SPEEDY RAIN" MODEL 300-400-501**  
**CHARIOT PORT-IRRIGATEUR "SPEEDY RAIN" MODÈLE 300-400-501**  
**WAGEN FÜR BEWÄSSERUNGSAPPARAT "SPEEDY RAIN" MOD. 300-400-501**  
**RIJDEND ONDERSTEL VOOR SPROEIER "SPEEDY RAIN" TYPE 300-400-501**

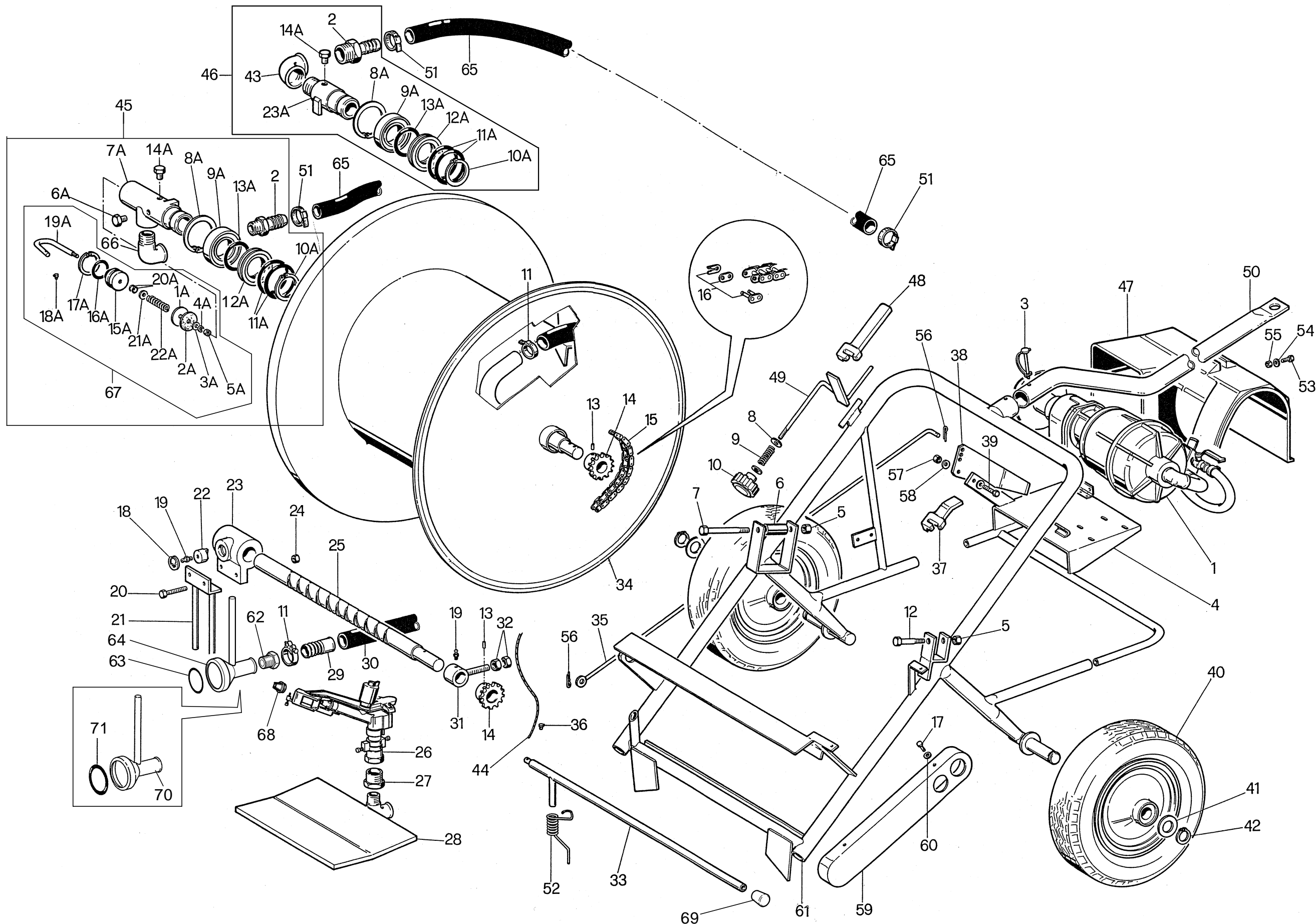
**Esploso**

**CARRELLO SERIE 400-401-501**

Note

POS. Pos. Pos. Pos.	PAG. Page Seite Pagina	DENOMINAZIONE Appellation Denomination Bezeichnung Denombrocion	U.M.	N.PEZZI N.Pieces N.Pieces N.Teile N.Plez	CODICE Code Code Kode Codigo	NOTE Annotation Note Aufzeichnung Nota
1	106	WHEEL D.200 X 50 AXLE D.20	n	2,00	2000115	i2001115
1	106	WHEEL 3.00 X 4" GARDEN 2PR	n	2,00	2001115	op
2	106	GALV. TROLLEY LEG 400-401-501	n	2,00	4000042Z	
3	106	CENTRAL BODY FOR TROLLEY 400	n	1,00	4000301	TIPO C
3	106	GALVANISED TROLLEY 400/501	n	1,00	4000023Z	TIPO B
5	106	MEDIUM NUT M 10	n	2,00	4000112	
6	106	STOP WASHER D.20	n	2,00	2000114	
7	106	TRESTLE M10	n	2,00	5400113	
8	106	BANDIERA SOST. CARRELLO + ML. 1 CATENA		1,00	4000024Z+070143	
8	106	CHAIN N.16 D. 2.8X16	m	1,00	070143	
9	106	FEMALE FOR CORAI JOINT W/SEAL	n	1,00	4000304	
10	106	CORAI JOINT M+F GR D48/38 SF	n	1,00	4000303	
11	106	ADAPT. 1" F - 1"1/4 M	n	1,00	4000108	
12	106	COUPLING FOR PE 40 HOSE	n	1,00	4000022Z	400-401
12	106	HOSE TAIL MOD.501	n	1,00	5010015Z	501
13	106	BAUER HK 50 SEAL	n	1,00	5400110	
13	106	GIUNTO CORAI COMPLETO M+F 48/38	n	1,00	4000303+4000304	

Note



**RM** S.p.A.  
S. QUIRICO DI TRECASALI  
(PARMA)-ITALIA

IRRIGATORE SEMOVENTE "SPEEDY RAIN" MOD. 401 (TUBO Ø40 DA m 110 ÷ 140)  
 SELF-PROPELLED SPRINKLER "SPEEDY RAIN" MODEL 401 (PIPE Ø40 FROM m 110 ÷ 140)  
 IRRIGATEUR AUTOMOTEUR "SPEEDY RAIN" MODÈLE 401 (TUYAU Ø40 DE m 110 ÷ 140)  
 SELBSTFAHRENDER BEWÄSSERUNGSAPPARAT "SPEEDY RAIN" MOD. 401 (RÖHRE Ø40 VON m 110 ÷ 140)  
 ZELFRIJDANDE SPROEIER "SPEEDY RAIN" TYPE 401 (BUIS MIDDELLIJK 40 VAN 110 METER AAN 140 METER)

Pag.103  
Rev.01  
11/2010

**Esploso**

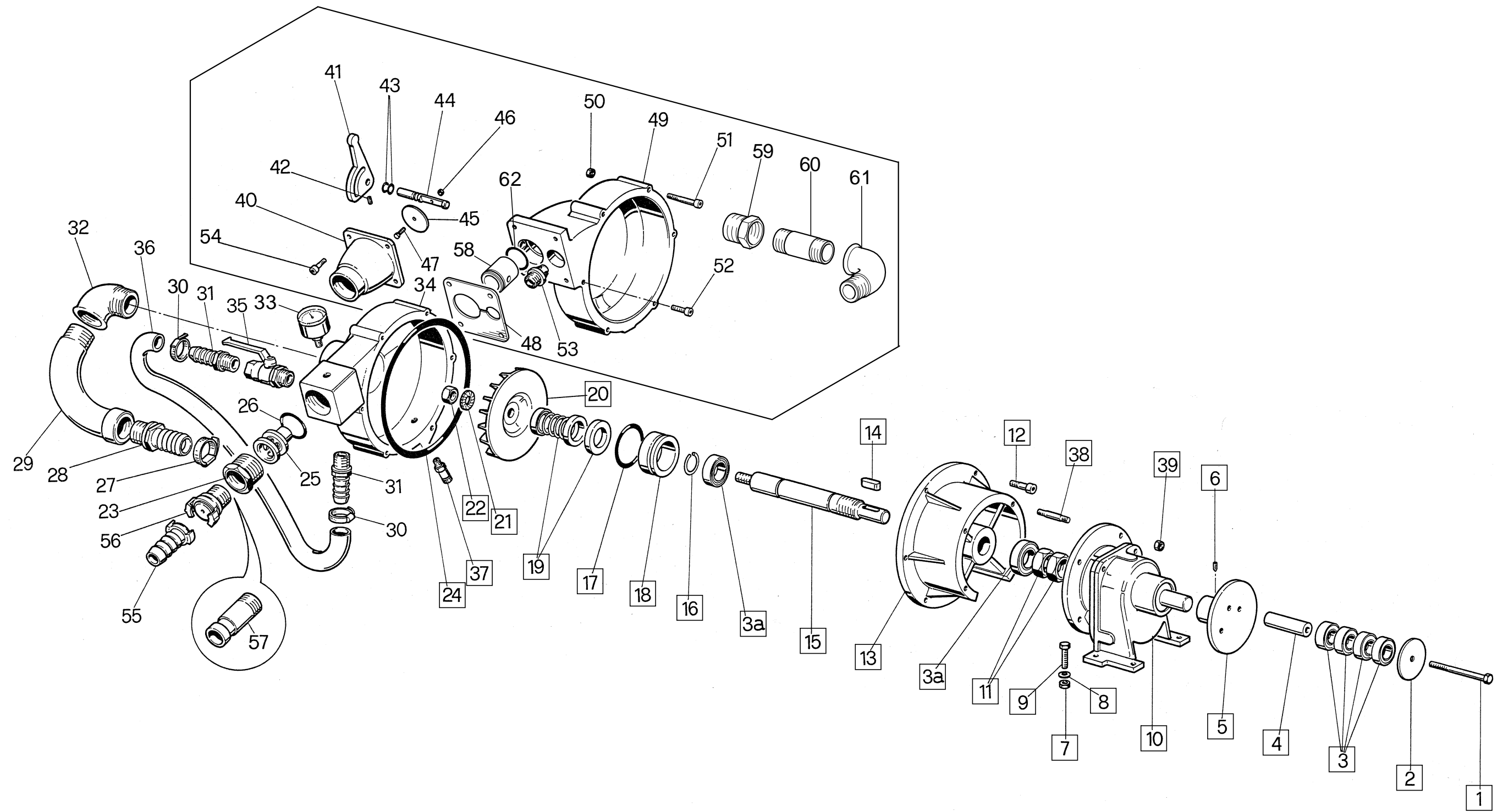
**SPEEDY RAIN 401 - ACQUASTOP 401/501 - POS.A:**

Note

POS. Pos. Pos. Pos.	PAG. Page Seite Pagina	DENOMINAZIONE Appellation Denomination Bezeichnung Denombrocion	U.M.	N.PEZZI N.Pieces N.Pieces N.Teile N.Plez	CODICE Code Code Kode Codigo	NOTE Annotation Note Aufzeichnung Nota
1	103	ALL. WASHER	n	1,00	3000012	
2	103	RUBBER PLUG	n	1,00	3000013	
3	103	WASHER 5,5 X 25	n	1,00	3000021	+ POS.4
4	103	-->> VEDERE POS.3				
5	103	M5 SELF-LOCKING NUT	n	1,00	2000207	
6	103	PLUG 1/8" M GALVANISED	n	1,00	4010141	
7	103	STOP VALVE BODY	n	1,00	3001006Z	d.1/1/01
7	103	INLET PIPE	n	1,00	3000006	f.31/12/00
8	103	SEEGER I 68	n	1,00	3000109	
9	103	BEARING 6008 2RS 40X68X15	n	1,00	CUS60082RS	
10	103	SEEGER E40	n	1,00	3000103	
11	103	OR 3250 "CORTECO"	n	2,00	3000102	f.31/12/00
12	103	BEARING SPACER	n	1,00	3000020	f.31/12/00
13	103	OR 6162 40.64X5.33"CORTECO"	n	1,00	3000101	
14	103	PLUG GJ 1/4"M.	n	1,00	5800208	
15	103	COVER FOR STOP VALVE 300/400	n	1,00	3000014	
16	103	OR 3137 "CORTECO"	n	1,00	3000107	
17	103	SEEGER I 40	n	1,00	3000106	
18	103	HOLDFAST FOR CABLE ART.AMA302	n	1,00	2000124	
19	103	STOP VALVE DRIVE LEVER	n	1,00	3000016	
20	103	OR 2031	n	2,00	2000210	
21	103	GALVAN.WASHER 8,4 X 1	n	1,00	2000107	
22	103	SPRING FOR CLOSING PLUG	n	1,00	2000009	

Note





comune per entrambe le versioni

**RM** S.p.A.  
S. QUIRICO DI TRECASALI  
(PARMA)-ITALIA

**TURBINA RIDUTTORE MOD. 401 - 501**  
**REDUCTION GEAR TURBINE MODEL 401 - 501**  
**TURBINE REDUCTEUR MODELE 401 - 501**  
**TURBINENVERMINDERER MOD. 401 - 501**  
**TURBINEVERLOOPSTUK TYPE 401 - 501**

**Esploso TUR401**  
**TURBINA RIDUTTORE 401-501 (401 F.411830) (501 F.51746)**

Note

POS. Pos. Pos. Pos.	PAG. Page Seite Pagina	DENOMINAZIONE Appellation Denomination Bezeichnung Denombrocion	U.M.	N.PEZZI N.Pieces N.Pieces N.Teile N.Plez	CODICE Code Code Code Codigo	NOTE Annotation Note Aufzeichnung Nota
1	105	SCREW M8 X55 T.E.	n	1,00	4010111	
2	105	GALV.WASHER FOR LEVER	n	1,00	4010016Z	
3	105	BEARING 6202 2RS	n	4,00	4010110	
3	105	BEARING 6202 2 RS FAG	n	2,00	4011110	3a
4	105	BUSH FOR 4 BEARINGS	n	1,00	4010010	
5	105	GALV. PLATE FOR LEVERS MOVEMENT	n	1,00	4010008Z	
5	105	GALV. PLATE FOR LEVERS MOVEMENT	n	1,00	5010008Z	
6	105	SCREW M6X8 CONIC POINT	n	1,00	2000214	
7	105	NUT M8	n	4,00	4010107	
8	105	GALVAN.WASHER 8,4 X 1	n	4,00	2000107	
9	105	SCREW M8 X 30 T.E.	n	4,00	4010106	
10	105	GEARBOX VARVEL 02 B3 R.1:34,68	n	1,00	4010143	d.411651
10	105	VARVEL GEARBOX 12 B3 H 1:39,08	n	1,00	5010108	d.51591 f.51746
10	105	GEARBOX VARVEL FRC 210 1:38	n	1,00	5010105	f.51590 (2005)
10	105	GEARBOX VARVEL FRC 205 B3-	n	1,00	4010123	f.411650 (2005)
11	105	NUT M14 X 1,5 LOW	n	2,00	4010131	
12	105	SCREW TCEI M6 X 30	n	2,00	4010132	
13	105	TURBINE COVER	n	1,00	4010002	
14	105	COTTER 4X4X15	n	1,00	4010130	
15	105	TURBINE SHAFT	n	1,00	4010004	
16	105	RING A-14 UNI 7433/75	n	1,00	4010129	
17	105	OR 2125	n	1,00	4010127	
18	105	SPACER FOR MECHANICAL SEAL	n	1,00	4010006	
19	105	SEAL PR/PNT 15X28 -71500195-	n	1,00	4010125	
20	105	TURBINE IMPELLER	n	1,00	4010003	
21	105	GALVAN.WASHER 8,4 X 1	n	1,00	2000107	
22	105	SELFLOCKING NUT M8	n	1,00	4010103	

CONTINUA

Note

**Esploso TUR401**  
**TURBINA RIDUTTORE 401-501 (401 F.411830) (501 F.51746)**

Note

POS. Pos. Pos. Pos.	PAG. Page Seite Pagina	DENOMINAZIONE Appellation Denomination Bezeichnung Denombrocion	U.M.	N.PEZZI N.Pieces N.Pieces N.Teile N.Plez	CODICE Code Code Code Codigo	NOTE Annotation Note Aufzeichnung Nota
23	105	ADAPT. 1" F - 1"1/4 M	n	1,00	4000108	f.Dic.96
24	105	OR 3625 (2.164) CORTECO	n	1,00	4010126	
25	105	NOZZLE	n	1,00	4010005	f.51225
25	105	NOZZLE	n	1,00	4010005	f.41759
26	105	OR 2081	n	1,00	4010128	f.41759-f.51225
27	105	CLAMP 39-43	n	1,00	4000106	
28	105	COUPLING M.1"1/4 X 32	n	1,00	4010120	
29	105	CURVE 1 1/4" M-F	n	1,00	4010118	f.41759
30	105	CLAMP 25X35 TERRY	n	2,00	4010112	f.41759
31	105	MALE JOINT 3/4" X 22	n	2,00	4010116	f.41759
32	105	ELBOW 1 1/4" M-F	n	1,00	4010119	f.41759
33	105	MANOMETER 1/8"	n	1,00	3000110	
34	105	TURBINE FRAME	n	1,00	4010001	f.41759
35	105	BALL VALVE M-F EXPORT 3/4"	n	1,00	4010115	f.41759
36	105	HOSE MONTREAL 10 D.22X30	m	0,60	4010114	f.41759
37	105	DRAINING VALVE FOR TURBINE	n	1,00	4010102	
38	105	PRIGIONIERO M8x30	n	4,00		c.pos.10
39	105	NUT M8	n	4,00	4010107	
40	105	GALV.TURB. INLET CONE	n	1,00	4010025Z	d.41760-d.51226
41	105	BY-PASS LEVER	n	1,00	4010021Z	d.41760-d.51226
42	105	SCREW M5X8 CONIC POINT	n	1,00	4010113	d.41760-d.51226
43	105	OR 108	n	2,00	5800213	d.41760-d.51226
44	105	BY-PASS VALVE SHAFT	n	1,00	4010020	d.41760-d.51226
45	105	THROTTLE VALVE FOR BY-PASS	n	1,00	4011017	d.41960
45	105	INOX WASHER FOR BY-PASS	n	1,00	4010017	d.41760-f.41959-d.51226
46	105	M5 SELF-LOCKING NUT	n	1,00	2000207	d.41760-d.51226
47	105	SCREW M5 X 15	n	1,00	4010104	d.41760-d.51226

CONTINUA

Note

**Esploso TUR401**  
**TURBINA RIDUTTORE 401-501 (401 F.411830) (501 F.51746)**

Note

POS. Pos. Pos. Pos.	PAG. Page Seite Pagina	DENOMINAZIONE Appellation Denomination Bezeichnung Denombrocion	U.M.	N.PEZZI N.Pieces N.Pieces N.Teile N.Plez	CODICE Code Code Kode Codigo	NOTE Annotation Note Aufzeichnung Nota
48	105	RUBBER SEAL TURBINE 401	n	1,00	4010019	d.41760-d.51226
49	105	TURBINE FRAME	n	1,00	4011001	d.41760-d.51226
50	105	MEDIUM NUT M 6	n	5,00	4010117	d.41760-d.51226
51	105	SCREW TCEI M6 X 65	n	5,00	4010137	d.41760-d.51226
52	105	SCREW TCEI M6 X 30	n	1,00	4010132	d.41760-d.51226
53	105	NOZZLE K1 (D.12)	n	1,00	4010135	Ø ...
54	105	SCREW TE M 8 X 20	n	1,00	4010136	d.41760-d.51226
55	105	JOINT SWIFT DN 32	n	1,00	4000109	
56	105	MALE SWIFT 1"1/4	n	1,00	4010133	d.Gen.97
56	105	MALE SWIFT 1"	n	1,00	2000103	f.Dic.96
57	105	TURBINE INLET JOINT	n	1,00	5010013	f.51225
58	105	BY PASS ADAPTATION	n	1,00	4010022	d.41960
59	105	ADAPTATION 1"1/2M-1"1/4F	n	1,00	4010139	d.41760-d.51226
60	105	TRONCHETTO 1" 1/4 L.1002FIL.Z.	n	1,00		d.41760-d.51226
61	105	ELBOW F-F 1"1/4	n	1,00	4010121	d.41760-d.51226
62	105	OR 3168	n	1,00	4010138	d.41960
AA	105					
AA	105	TURBINE 401	n	1,00	TUR401	f.411830
AA	105	POS.3A-11-12-14-15-16-17-18-19-20-21-22-24-		1,00		
AA	105	28-33-37-38-39-40-41-42-43-50-51-52-53-54-55				
AA	105	56-59-61-62-63-64				
BB	105					
BB	105	TURBINE 501	n	1,00	TUR501	f.51746
BB	105	POS.3A-11-12-14-15-16-17-18-19-20-21-22-24-		1,00		
BB	105	28-33-37-38-39-40-41-42-43-50-51-52-53-54-55-				
BB	105	56-59-61-62-63-64				

Note