

Esploso A10803
ALA PIOVANA ACCIAIO 40 ML. (VERS. 2001)

Note

POS. Pos. Pos. Pos.	PAG. Page Seite Pagina	DENOMINAZIONE Appellation Denomination Bezeichnung Denombrocion	U.M.	N.PEZZI N.Pieces N.Pieces N.Teile N.Plez	CODICE Code Code Code Codigo	NOTE Annotation Note Aufzeichnung Nota
1	52	BRASS NOZZLE 2 CUTS	n	32,00	0100018	
1	52	BRASS NOZZLE 1 CUT	n	4,00	0100017	
2	52	BRASS FINAL NOZZLE	n	2,00	0100009	
2	52	1/2-1/2 FAST COUPLING	n	2,00	0100129	
2	52	"T" 1/2 F+F+F COUPLING	n	2,00	0100128	
3	52	FINAL ARM	n	2,00	0100014Z	
4	52	THIRD ARM	n	2,00	0100013Z	
5	52	SECOND ARM	n	2,00	0100012Z	
6	52	FIRST ARM	n	2,00	0100011Z	
7	52	RUBBER UNIVERSAL SEAL	n	1,00	5800072	i 58000462
8	52	D.48 FERRARI SEAL	n	2,00	0100101	
9	52	D.60 FERRARI SEAL	n	4,00	0100102	
10	52	D.80 FERRARI SEAL	n	2,00	0100103	
11	52	SUPPORT FOR CABLE REWINDING	n	4,00	0100010Z	
12	52	TRAIANGLE FOR 40M BOOM	n	1,00	0100001Z	
13	52	PIN FOR TROLLEY ADJUSTING D.14	n	1,00	5800042Z	
14	52	40M BOOM COLUMN	n	1,00	0100002Z	
15	52	40M BOOM BALANCE ROLLER	n	2,00	0100007	
16	52	LOCKING PIN	n	1,00	0100008Z	
17	52	FLANGE DIVIDED IN TWO PARTS	n	2,00	0100005Z	
18	52	COLUMN SUPPORT	n	1,00	0100004Z	
19	52	OR 6350 FOR COLUMN	n	2,00	0100104	
20	52	SPACER	n	6,00	0100006Z	
21	52	CLAMP GOLD 79-86	n	2,00	5700103	
22	52	FLAT PIPE TECHFLEX D.80MM	m	0,62	5700114	
23	52	BRACCIO SOST. CAVI ZINC.	n	1,00	0100003Z	
24	52	CABLE D.3 L=16270 TEL 2 19	n	4,00	0100112	

CONTINUA

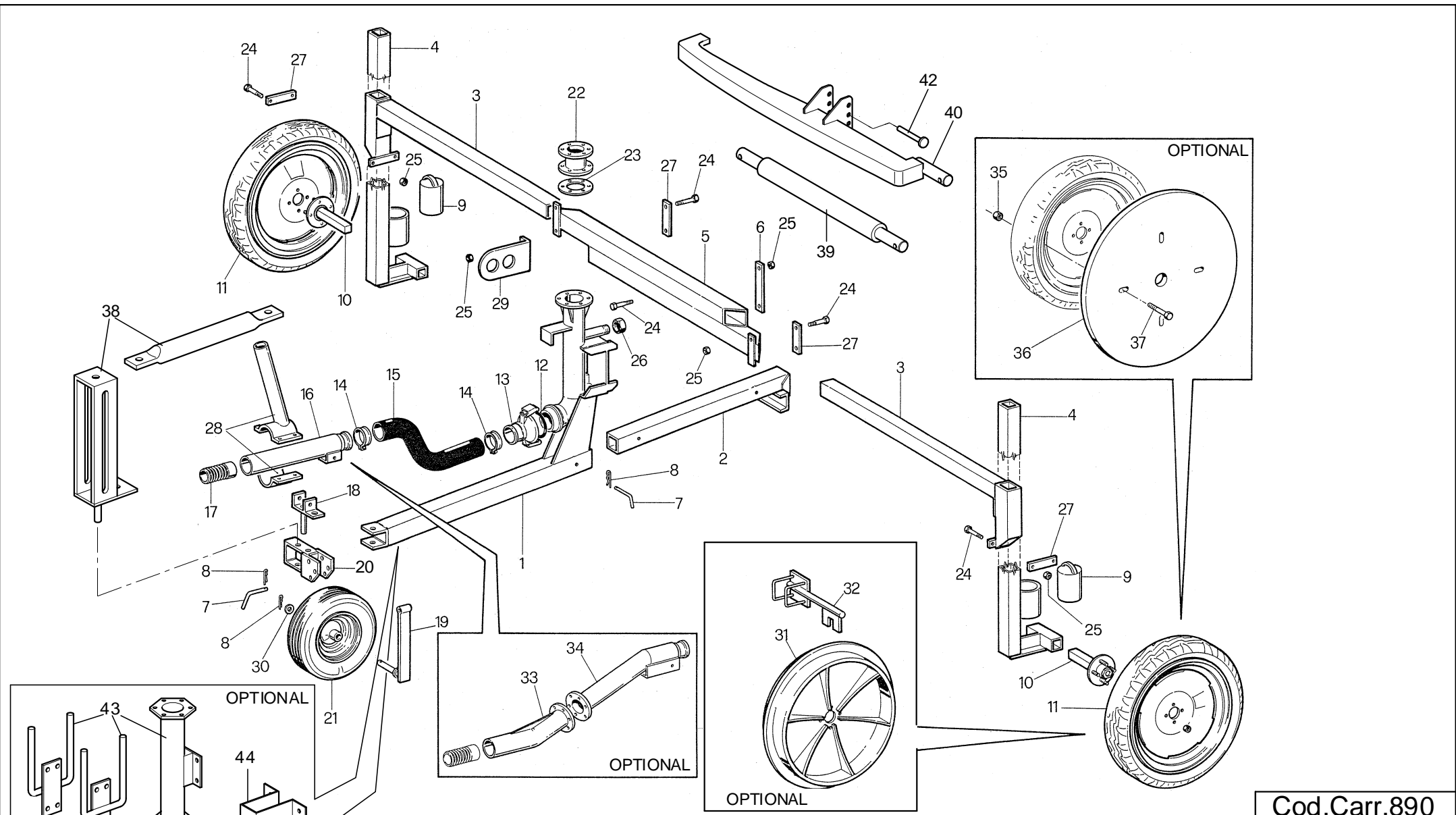
Note

Esploso A10803
ALA PIOVANA ACCIAIO 40 ML. (VERS. 2001)

Note

POS. Pos. Pos. Pos.	PAG. Page Seite Pagina	DENOMINAZIONE Appellation Denomination Bezeichnung Denombrocion	U.M.	N.PEZZI N.Pieces N.Pieces N.Teile N.Plez	CODICE Code Code Kode Codigo	NOTE Annotation Note Aufzeichnung Nota
25	52	CABLE D.3 L=10700 TEL 2 19	n	4,00	0100113	
26	52	CABLE D.3 L=5320 TEL 2 19	n	4,00	0100114	
27	52	GALV.PIN M/8 (5/16")	n	12,00	0100110	
28	52	GALV.PIN M/6 (1/4")	n	12,00	0100107	
29	52	TIE + JOINT WITH NUTS	n	12,00	0100111	
30	52	MANOMETER D.50 1/4"	n	1,00	0100105	
31	52	RELEASE BAND	n	1,00	0100019	OP-Ø PE
32	52	COLUMN EXTENSION FOR MAIZE BOOM	n	1,00	0100031Z	OP
33	52	MAIZE BOOM COLUMN	n	1,00	0100030Z	OP
34	52	LIFTING CYLINDER FOR BOOM TROL	n	1,00	0100033	OP
35	52	JOINT 1/4" - 1/4"	n	1,00	5800129	OP
36	52	HYDR. PIPE R1 1/4" RIGHT+90 L=1800	n	1,00	070150	OP
37	52	HAND PUMP GLSE 16	n	1,00	5800126	OP
38	52	D.80 FEMALE JOINT WITH HOSE TAIL	n	2,00	580201811Z	OP
39	52	D. 80 FERRARI MALE COUPLING WITH HOSE TAIL	n	2,00	0100032Z	OP
40	52	48 MALE PLUG	n	2,00	0100126	OP
41	52	60 MALE PLUG	n	2,00	0100127	OP
42	52	POS.24-25-26-27-28-29				
42	52	SET OF CABLES FOR 40M BOOM	n	1,00	0100015	

Note



Cod.Carr.890

RM S.p.A.
 S. QUIRICO DI TRECASALI
 (PARMA)-ITALIA

CARRELO PORTA IRRIGATORE VERSIONE 99 MOD. 890 GX - 990 GX - ALA PIOVANA
SPRINKLER-HOLDING CARRIER VERSION 99 MODEL 890 GX - 990 GX - RAIN PADDLE
CHARIOT PORT-IRRIGATEUR VERSION 99 MODÈLE 890 GX - 990 GX - AILE DE PLUIE
WAGEN FÜR BEWÄSSERUNGSAPPARAT VERSION 99 MOD. 890 GX - 990 GX - REGENFLÜGEL
RIJDEND ONDERSTEL VOOR SPROEIER MODEL 99 TYPE 890 GX - 990 GX - REGENVLEUGEL

Pag.32
 Rev.01
 11/2010

Esploso CARR890
CARRELLO 890-990 ALA ML.40

Note

POS. Pos. Pos. Pos.	PAG. Page Seite Pagina	DENOMINAZIONE Appellation Denomination Bezeichnung Denombrocion	U.M.	N.PEZZI N.Pieces N.Teile N.Plez	CODICE Code Code Kode Codigo	NOTE Annotation Note Aufzeichnung Nota
1	32	890-BOOM TROLLEY CENTRAL BODY	n	1,00	01400019Z	
2	32	DRAWBAR FOR 890-BOOM TROLLEY	n	1,00	014000110Z	
3	32	LEGS SUPPORT TROLLEY 890	n	2,00	01400015Z	
4	32	890 TROLLEY LEG	n	2,00	01400016Z	
5	32	CROSSIN GPIPE FOR LEGS SUPPORT TROLLEY 890	n	1,00	01400014Z	
6	32	PLATE FOR CROSSING PIPE FIXING	n	2,00	01400011Z	
7	32	PIN FOR TROLLEY ADJUSTING D.14	n	3,00	5800042Z	
8	32	PIN COOP 03 AMA	n	2,00	COOP03AMA	
9	32	COUNTERBALANCE WEIGHT	kg	49,00	BILLETTE	ml.0,40 x 2
10	32	WHEEL AXLE BALILLA 35Z35X200	n	2,00	5800103	
11	32	WHEEL 125 D70 15	n	2,00	5800104	PN
12	32	GUARNIZIONE Ø 80 FERRRI	n	1,00		
13	32	D.80 FEMALE JOINT WITH HOSE TAIL	n	1,00	580201811Z	
14	32	CLAMP GOLD 86-95	n	2,00	5800137	
15	32	HOSE ROMAGNA 15 80X93	m	1,10	5500102	
16	32	TAIL FOR 581 TROLLEY	n	1,00	58020188Z	
17	32	PE HOSE ENTRANCE	n	1,00	5500033	GR-Ø PE
18	32	SHAFT FOR WHEELS ROTATION ON TROLLEY 581 GX	n	1,00	58020187Z	
19	32	SUPPORT FOR FRONT WHEEL ON TROLLEY 581 GX	n	1,00	58020183Z	
20	32	SUPPORT FOR WHEEL GROUP TROLLEY 581 GX	n	1,00	58020182Z	
21	32	TROLL.WHEEL16.650X8"RIGATA 4PR	n	1,00	5800149	
22	32	COUPLING FOR EXPLORER GUN	n	1,00	7000065Z	Ø 120-125-140
23	32	RUBBER UNIVERSAL SEAL	n	1,00	5800072	I.58000461
24	32	VITE FISSAGGIO SFILI+TRAVERSA	n	16,00		
25	32	DADO FISSAGGIO	n	16,00		
26	32	1" F PLUG	n	1,00	5800171	
27	32	PLATE FOR LEGS FIXING ON TROLLEY 890	n	6,00	014000113Z	

CONTINUA

Note

Esploso CARR890
CARRELLO 890-990 ALA ML.40

Note

POS. Pos. Pos. Pos.	PAG. Page Seite Pagina	DENOMINAZIONE Appellation Denomination Bezeichnung Denombrocion	U.M.	N.PEZZI N.Pièces N.Pieces N.Teile N.Plez	CODICE Code Code Kode Codigo	NOTE Annotation Note Aufzeichnung Nota
28	32	FIXING PIPE ON TROLLEY 890	n	1,00	014000114Z	
29	32	CHAIN CONNECTING POINT FOR TROLLEY 890	n	2,00	014000112Z	
30	32	RONDELLA Ø 26				
31	32	CAST IRON WHEELS	n	2,00	5800604	OP
32	32	WHEELS-SCRAPERS FOR CAST IRON WHEELS	n	2,00	5800605Z	OP
33	32	SPECIAL FINAL PIPE FOR STANDARD TROLLEY	n	1,00	9900037Z	OP
34	32	TROLLEY ADAPTER	n	1,00	9900038Z	OP
35	32	DADO FISSAGGIO DISCHI	n	8,00		OP
36	32	TROLLEY WHEELS DISK	n	2,00	5800601	OP
37	32	VITE FISSAGGIO DISCHI	n	8,00		OP
38	32	TROLLEY GUIDE FOR 990	n	1,00	0140005Z	OP
39	32	TROLLEY DRAGGING	n	1,00	5800061	OP
40	32	BAR FOR ASYMMETRIC TROLLEY	n	1,00	0160001	OP
42	32	DRAWBAR PIN	n	1,00	7000032Z	OP
43	32	KIT ASYMMETRIC TROLLEY	n	1,00	0140004Z	OP
44	32	DISPOSITIVO SOLL.CARR. 890 ZINC.	n	1,00	0140019Z	OP
45	32	890 TROLLEY CARPENTRY	n	1,00	0140001	
45	32	POS.1-2-3-4-5-6-13-18-19-20-27-28-29				
46	32	890-990GX AND 40M BOOM TROLLEY	n	1,00	CARR890	
46	32	POS.1-2-3-4-5-6-7-8-9-10-11-12-13-14-15-19-20-21-24-25-26-27-28				

Note