

RM S.p.A.
 S. QUIRICO DI TRECASALI
 (PARMA)-ITALIA

IRRIGATORE SEMOVENTE "SPEEDY RAIN" MOD. 300 32/90
 SELF-PROPELLED SPRINKLER "SPEEDY RAIN" MODEL 300 32/90
 IRRIGATEUR AUTOMOTEUR "SPEEDY RAIN" MODÈLE 300 32/90
 SELBSTFAHRENDER BEWÄSSERUNGSSAPPARAT "SPEEDY RAIN" MOD. 300 32/90
 ZELFRIJDANDE SPROEIER "SPEEDY RAIN" TYPE 300 32/90

Esploso I030032090
MACCHINA IRRIGAT. SPEEDY RAIN 300 GARD.32/90 (d.1/1/2000)

Note

POS. Pos. Pos. Pos.	PAG. Page Seite Pagina	DENOMINAZIONE Appellation Denomination Bezeichnung Denombrocion	U.M.	N.PEZZI N.Pieces N.Teile N.Plez	CODICE Code Code Kode Codigo	NOTE Annotation Note Aufzeichnung Nota
1	101	CHASSIS SPEEDY MOD.300	n	1,00	3001001	
2	101	DRUM SPEEDY MOD.300	n	1,00	3001002	c.56
3	101	DRAWBAR FOR 300 32/90	n	1,00	3000019Z	
4	101	PIN D.8	n	1,00	3000117	
5	101	CHAIN 3/8" S	m	0,96	4000101	ml.
6	101	HUB M8 D. 40	n	1,00	3000115	
7	101	WASHER 9X24	n	2,00	3000113	
8	101	GALVAN.SPRING	n	1,00	3000017	
9	101	SCREW M8X160 UNI 5732 ZNC	n	1,00	3000114	
10	101	SPACER	n	1,00	3000015	
11	101	SCREW M10X60 T.E.	n	1,00	3000124	
12	101	SELF-LOCKING NUT M10	n	1,00	3000125	
13	101	WHEEL 4.008.2PR	n	2,00	3000112	
14	101	WASHER 26 X 44 X 3.5	n	2,00	3000126	
15	101	SEEGER E 25	n	2,00	3000111	
16	101	SAFETY CHAIN PROTECTION	n	1,00	3000025	
17	101	SCREW M6 X 10 T.E.	n	2,00	4010108	
18	101	WASHER D.6 X 16	n	2,00	4010109	
19	101	300 STOP CHASSIS	n	1,00	3001010Z	
20	101	HOLDFAST FOR CABLE ART.AMA302	n	1,00	2000124	
21	101	GALV.STEEL CABLE WITH HEAD	n	1,00	2000116	
22	101	300 SUPPORTING PLATE	n	1,00	3000027Z	
23	101	ADAPTATION 1" M - 3/4" F	n	1,00	3000119	
24	101	CHAIN N.16 D. 2.8X16	m		070143	ml-op
25	101	S PER CATENA	n	1,00		op
26	101	PVC CAP FOR PIPE O.D.21	n	1,00	4000116	op
27	101	SUPPORT ARM FOR TROLLEY	n	1,00	3000028Z	op

CONTINUA

Note

Esploso I030032090
MACCHINA IRRIGAT. SPEEDY RAIN 300 GARD.32/90 (d.1/1/2000)

Note

POS. Pos. Pos. Pos.	PAG. Page Seite Pagina	DENOMINAZIONE Appellation Denomination Bezeichnung Denombrocion	U.M.	N.PEZZI N.Pieces N.Pieces N.Teile N.Plez	CODICE Code Code Code Codigo	NOTE Annotation Note Aufzeichnung Nota
28	101	SCREW T.E. M10X20	n	2,00	3000122	
29	101	TOOTHED WASHER D.10	n	2,00	3000123	
30	101	CHAIN TENSIONER	n	1,00	3000026Z	
31	101	ENDLESS SCREW MOD.300	n	1,00	3000022	f.3001099
31	101	ALBERO SCANALATO GUIDAT. 300 VERS.2010 SCANAL. 5 X 6	n	1,00	3001022	d.3001100
32	101	HOSEGUIDE	n	1,00	3000023Z	
33	101	PAWL MOD.300	n	1,00	3000024	f.3001099
33	101	Ø 22 PAWL 404-405-505- V.2008	n	1,00	4000034	d.3001100
34	101	3/4 FF SWIFT JOINT	n	1,00	3000127	op
35	101	SEEGER I.22	n	1,00	3000108	
36	101	HOSE TAIL	n	1,00	3000029Z	
37	101	CLAMP D. 32	n	1,00	3000118	
38	101	32/90 PE HOSE	n	1,00	TBD0320280090	
39	101	BRASS JOINT 1/4" M D.13	n	1,00	2000108	
40	101	BALL COCK 1/4" M-F	n	1,00	2000112	
41	101	CYLINDER C 40	n	1,00	CILINDROC40	
42	101	CLAMP ABA 25	n	4,00	2000111	
43	101	MOVEMENT LEVER MOD.200	n	1,00	2000006Z	
44	101	STOP LEVER MOD.200	n	1,00	2000005Z	
45	101	PIPE MONTREAL 10 D.13X19,5	m	0,53	2000110	
46	101	JOINT 1/2" M D.15 BENDED	n	1,00	2000125	
47	101	FILTER 1/2"F 100 MESH	n	1,00	2000118	
47	101	FILTER CARTRIDGE 322004/030	n	1,00	20001181	op
48	101	JOINT 1/2" M D.15 RIGHT	n	1,00	2000119	
49	101	SCREW M.8 X 70 T.E.	n	2,00	3000132	
50	101	GALVAN.WASHER 8,4 X 1	n	2,00	2000107	
51	101	NUT M8	n	2,00	4010107	

CONTINUA

Note

Esploso I030032090
MACCHINA IRRIGAT. SPEEDY RAIN 300 GARD.32/90 (d.1/1/2000)

Note

POS. Pos. Pos. Pos.	PAG. Page Seite Pagina	DENOMINAZIONE Appellation Denomination Bezeichnung Denombrocion	U.M.	N.PEZZI N.Pieces N.Pieces N.Teile N.Plez	CODICE Code Code Code Codigo	NOTE Annotation Note Aufzeichnung Nota
52	101	STOP VALVE S.300-400	n	1,00	ACQUAST300400	
53	101	MANOMETER 1/8"	n	1,00	3000110	
54	101	JOINT SWIFT DN27	n	1,00	2000102	c.55
55	101	GUARNIZIONE PER SWIFT	n	1,00		c.54
56	101	TOOTHED GEAR Z.18-3/8"S	n	1,00	3000134	gr-c.2
57	101	CLAMP D. 32	n	1,00	3000118	
58	101	SEEGER E40	n	1,00	3000103	
59	101	ANELLO DI TENUTA/GUARN.A LABBRO DEL 50	n	1,00	3000101-3000137	
60	101	BEARING 6008 2RS 40X68X15	n	1,00	CUS60082RS	
61	101	SEEGER I 68	n	1,00	3000109	
62	101	SPRING FOR CLOSING PLUG	n	1,00	2000009	
63	101	GALVAN.WASHER 8,4 X 1	n	1,00	2000107	
64	101	OR 2031	n	2,00	2000210	
65	101	COVER FOR STOP VALVE 300/400	n	1,00	3000014	
66	101	OR 3137 "CORTECO"	n	1,00	3000107	
67	101	SEEGER I 40	n	1,00	3000106	
68	101	STOP VALVE DRIVE LEVER	n	1,00	3000016	
69	101	WASHER 5,5 X 25	n	1,00	3000021	
70	101	RUBBER PLUG	n	1,00	3000013	
71	101	ALL. WASHER	n	1,00	3000012	
72	101	BRASS JOINT 1/4" M D.13	n	1,00	2000108	
73	101	M5 WASHER	n	1,00	3000129	
74	101	M5 SELF-LOCKING NUT	n	1,00	2000207	
75	101	STOP VALVE BODY	n	1,00	3001006Z	
76	101	MALE SWIFT 1"1/4	n	1,00	4010133	
77	101	PVC CYLINDER LID	n	1,00	2000215	
78	101	OR HOLDER FOR CYLINDER (BRASS)	n	1,00	2000205	

CONTINUA

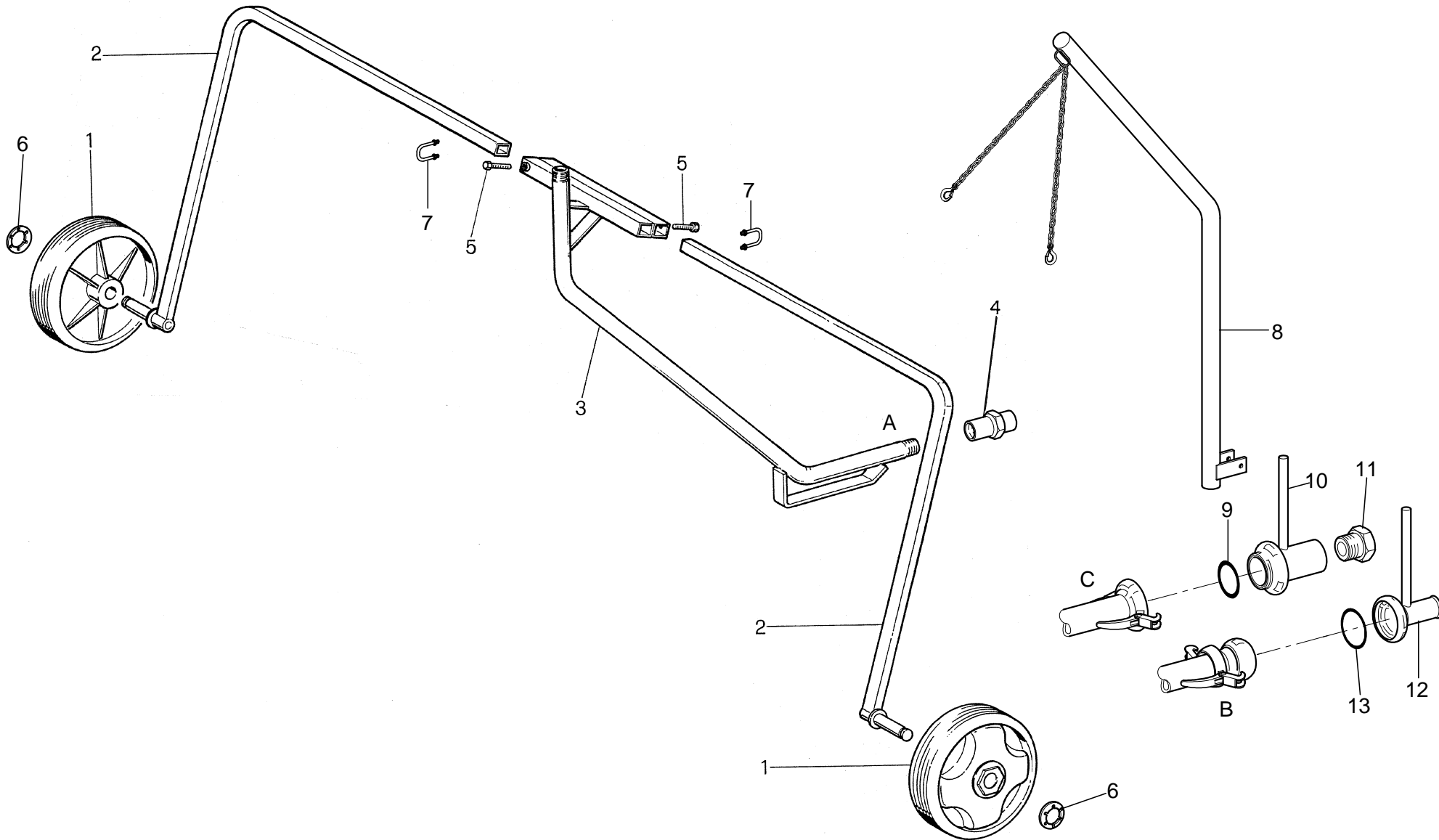
Note

Esploso I030032090
MACCHINA IRRIGAT. SPEEDY RAIN 300 GARD.32/90 (d.1/1/2000)

Note

POS. Pos. Pos. Pos.	PAG. Page Seite Pagina	DENOMINAZIONE Appellation Denomination Bezeichnung Denombrocion	U.M.	N.PEZZI N.Pieces N.Pieces N.Teile N.Plez	CODICE Code Code Kode Codigo	NOTE Annotation Note Aufzeichnung Nota
79	101	OR 2031	n	1,00	2000210	
80	101	STAINLES STEEL BAR D. 5 X 100	n	1,00	2000204	
81	101	SPRING FOR CYLINDER	n	1,00	2000206	
82	101	PVC STEM X C40	n	1,00	2000202	
83	101	OR 6212	n	1,00	2000212	
84	101	RUBBER FLAT SEAL FOR CYLINDER	n	1,00	2000213	
85	101	M5 SELF-LOCKING NUT	n	1,00	2000207	
86	101	WASHER D. 5X8 ZN	n	1,00	2000208	
87	101	SEEGER I 65	n	1,00	2000209	
88	101	PVC BREECH X C40	n	1,00	2000203	
89	101	OR 3237	n	1,00	2000211	
90	101	BRASS JOINT 1/4" M D.13	n	1,00	2000108	
91	101	PVC COVER X C40	n	1,00	2000201	
92	101	OR 6212	n	1,00	2000212	
93	101	GUN SIME FUNNY	n	1,00	GETFUNNY	
94	101	SERIAL NUMBER PLATE	n	1,00	7000098	
95	101	GREASE 46MR401-60GR	n	1,00	2000126	
96	101	PLUG FOR STOP VALVE	n	1,00	TAPPO300400	POS.62-63-64-65-66-68-69-70-71-73-74
97	101	KIT OF SEALS FOR CYLINDER C40	n	1,00	GUARNC40	POS.79-83-84-89-92

Note



RM S.p.A.
S. QUIRICO DI TRECASALI
(PARMA)-ITALIA

CARRELLO PORTA IRRIGATORE "SPEEDY RAIN" MOD. 300-400-501
SPRINKLER-HOLDING CARRIER "SPEEDY RAIN" MODEL 300-400-501
CHARIOT PORT-IRRIGATEUR "SPEEDY RAIN" MODÈLE 300-400-501
WAGEN FÜR BEWÄSSERUNGSAPPARAT "SPEEDY RAIN" MOD. 300-400-501
RIJDEND ONDERSTEL VOOR SPROEIER "SPEEDY RAIN" TYPE 300-400-501

RM SPA
 Via Provinciale per Cremona 41 - Fraz. San Quirico
 43010 Trecasali (PR)
 Tel 0521 872221 - Fax 0521 874027
 Cod. Fisc e Part.IVA 00153210349

Controllo Esploso **10/0000079**
 Data Creazione **31/12/2010**
 Data Ult. Modifica **30/11/2011 Ora 16:50**

Stampa del 30/11/2011

Esploso

CARRELLO SPEEDY 300

Note

POS. Pos. Pos. Pos.	PAG. Page Page Seite Pagina	DENOMINAZIONE Appellation Denomination Bezeichnung Denombrocion	U.M.	N.PEZZI N.Pieces N.Pieces N.Teile N.Plez	CODICE Code Code Kode Codigo	NOTE Annotation Note Aufzeichnung Nota
1	106	WHEEL D.200 X 50 AXLE D.20	n	2,00	2000115	i.2001115
1	106	WHEEL 3.00 X 4" GARDEN 2PR	n	2,00	2001115	op
2	106	TROLLEY LEGS	n	2,00	3000302Z	
3	106	TROLLEY S.300	n	1,00	3000301Z	TIPO A
4	106	3/4 FF SWIFT JOINT	n	1,00	3000127	
5	106	MEDIUM NUT M 10	n	2,00	4000112	
6	106	STOP WASHER D.20	n	2,00	2000114	
7	106	TRESTLE M10	n	2,00	5400113	
8	106	BANDIERA SOST. CARRELLO + ML. 0,80 CATENA		1,00	3000028Z+070143	

Note