

 S.p.A.
 S. QUIRICO DI TRECASALI
 (PARMA) - ITALIA

Ali nebulizzatrici a bassa pressione per macchine irrigatrici ml 20/30
Low pressure spraying booms for hose reel irrigation machines ml 20/30
Rampes asperseuses à basse pression pour enrouleurs ml 20/30
Alas regadoras de baja presión para máquinas de irrigación ml 20/30

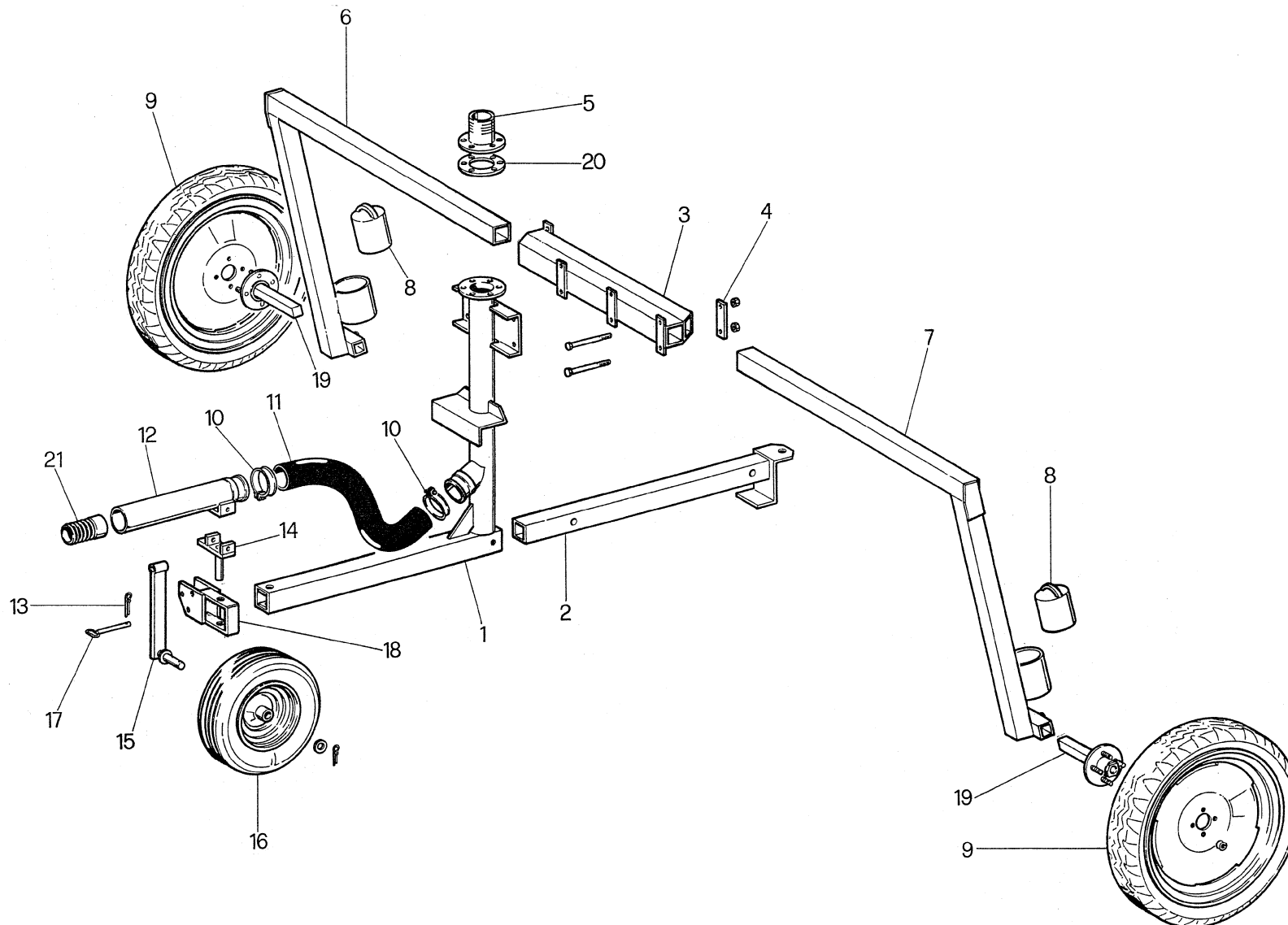
Pag.50
 01/2001

Esploso A10801
ALA PIOVANA ACCIAIO 20 ML (VERS.2001)

Note

POS. Pos. Pos. Pos.	PAG. Page Seite Pagina	DENOMINAZIONE Appellation Denomination Bezeichnung Denombrocion	U.M.	N.PEZZI N.Pieces N.Pieces N.Teile N.Plez	CODICE Code Code Kode Codigo	NOTE Annotation Note Aufzeichnung Nota
1	50	BRASS NOZZLE 1 CUT	n	2,00	0100017	
1	50	BRASS NOZZLE 2 CUTS	n	16,00	0100018	
2	50	BRASS FINAL NOZZLE	n	2,00	0100009	
2	50	1/2-1/2 FAST COUPLING	n	2,00	0100129	
2	50	"T" 1/2 F+F+F COUPLING	n	2,00	0100128	
3	50	BOOM TIP	n	2,00	0090008Z	
4	50	D.40 SECOND ARM	n	2,00	0090007Z	
5	50	D.48 FERRARI SEAL	n	4,00	0100101	
6	50	TRIANGLE FOR 20M BOOM	n	1,00	0080001Z	
7	50	PIN FOR TROLLEY ADJUSTING D.14	n	2,00	5800042Z	
8	50	BALANCE ROLLER	n	2,00	0080005	
9	50	CABLE D.3 L=5660 TEL 2 19	n	1,00	0100115	OP
10	50	COLUMN FOR 20M BOOM	n	1,00	0080002Z	
11	50	20M BOOM FLANGE	n	1,00	0080004Z	
12	50	OR 6212 FOR 20M BOOM	n	2,00	0080101	
13	50	WASHER FOR COLUMN	n	1,00	0080007	
14	50	WASHER FOR COLUMN	n	1,00	0080007	
15	50	CLAMP 50-54	n	2,00	5010102	OP
16	50	RUBBER HOSE 50/51	m	0,50	5400127	
17	50	CROSSING SUPPORT FOR 20M BOOM	n	1,00	0080003Z	
18	50	GALV.CABLE D.3 L=6050 20M BOOM	n	4,00	0080102	
19	50	GALV.PIN M/6 (1/4")	n	8,00	0100107	
20	50	TIE + JOINT WITH NUTS	n	4,00	0100111	
21	50	RUBBER UNIVERSAL SEAL	n	1,00	5800072	i58000461
22	50	RELEASE BAND	n	1,00	0100019	OP-Ø PE
23	50	POS.18-19.20				
23	50	20M BOOM CABLES PLAN	n	1,00	0080006	

Note



RM S.p.A.
S. QUIRICO DI TRECASALI
(PARMA)-ITALIA

CARRELLO PORTA IRRIGATORE VERSIONE 98 MOD. 570GX
SPRINKLER-HOLDING CARRIER VERSION 98 MODEL 570GX
CHARIOT PORT-IRRIGATEUR VERSION 98 MODÈLE 570GX
WAGEN FÜR BEWÄSSERUNGSAPPARAT VERSION 98 MOD. 570GX
RIJDEND ONDERSTEL VOOR SPROEIER MODEL 98 TYPE 570GX

Pag.26

COD.
CARR.570.1

Esploso CARR5701
CARRELLO 570 GX

Note

POS. Pos. Pos. Pos.	PAG. Page Page Seite Pagina	DENOMINAZIONE Appellation Denomination Bezeichnung Denombrocion	U.M.	N.PEZZI N.Pieces N.Pieces N.Teile N.Plez	CODICE Code Code Kode Codigo	NOTE Annotation Note Aufzeichnung Nota
1	26	570 TROLLEY CENTRAL BODY	n	1,00	57020118Z	
2	26	570 TROLLEY DRAWBAR	n	1,00	57020112Z	
3	26	570 TROLLEY CROSSING PIPE	n	1,00	57020113Z	
4	26	PLATE FOR 570 TROLLEY LEG FIXING	n	2,00	57020111Z	
5	26	FLANGE FOR ROYAL GUN	n	1,00	5700040Z	Ø PE 90
5	26	COUPLING FOR RANGER GUN 3"	n	1,00	5800044Z	Ø PE 90
5	26	COUPLING FOR SYNKRO GUN 2"1/2	n	1,00	5700039Z	Ø PE 75-82
6	26	570 TROLLEY LEFT LEG	n	1,00	57020119Z	
7	26	570 TROLLEY RIGHT LEG	n	1,00	570201110Z	
8	26	COUNTERBALANCE WEIGHT	kg		BILLETTE	ML. 0,28 x 2
9	26	WHEEL 125 D70 15	n	2,00	5800104	PN
10	26	CLAMP GOLD 86-95	n	2,00	5800137	
11	26	HOSE ROMAGNA 15 80X93	m	0,80	5500102	
12	26	570 TROLLEY TAIL	n	1,00	57020114Z	
13	26	PIN COOP 03 AMA	n	1,00	COOP03AMA	
14	26	SHAFT FOR ROTATION OF TROLLEY 570	n	1,00	57020116Z	
15	26	SUPPORTING ARM FOR 570 FRONT TYRE	n	1,00	57020117Z	
16	26	WHEEL 15.600X6"-4PR RIGATA-204	n	1,00	5500128	
17	26	PIN FOR TROLLEY ADJUSTING D.14	n	1,00	5800042Z	
18	26	SUPPORTING POINT FOR 570 FRONT WHEEL	n	1,00	57020115Z	
19	26	WHEEL AXLE BALILLA 35Z35X200	n	2,00	5800103	
20	26	RUBBER UNIVERSAL SEAL	n	1,00	5800072	I.58000461
21	26	PE HOSE ENTRANCE	n	1,00	5500033	Ø PE
22	26	CHARPENTRIE CHARIOT 570	n	1,00	5702011	
22	26	POS.1-2-3-4-6-7-12-14-15-18				
23	26	570 GX TROLLEY	n	1,00	CARR5701	
23	26	POS.1-2-3-4-6-7-8-9-10-11-12-13-14-15-16-17-18-19				

Note