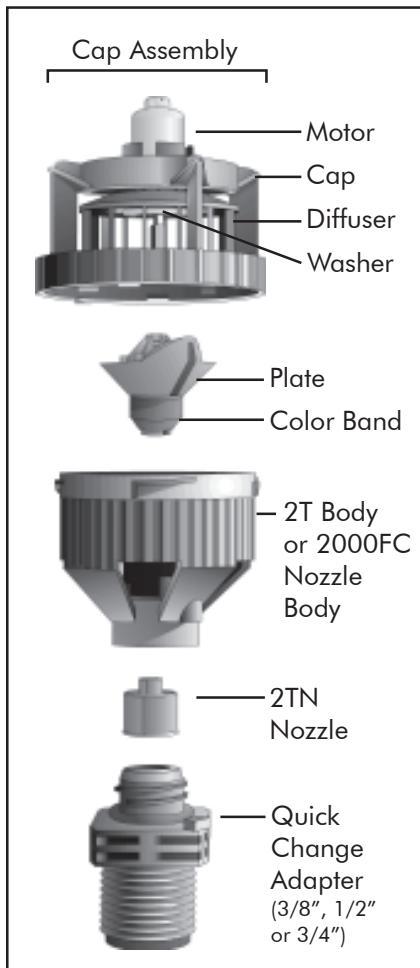


innovation in irrigation™

NELSON

R2000 ROTATOR®

R2000 ROTATOR® ASSEMBLY INSTRUCTIONS



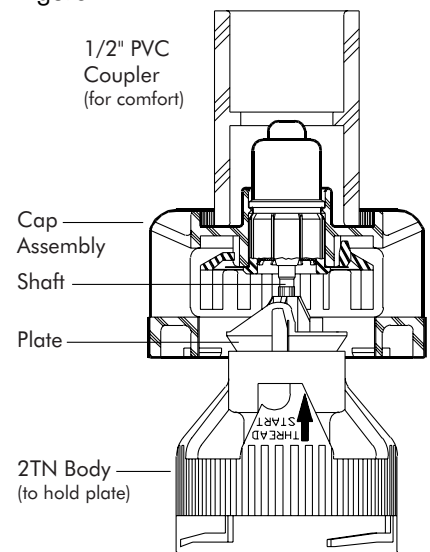
GENERAL ASSEMBLY

1. Assemble the plate per the plate assembly instructions on this page.
The color band and the diffuser colors must match.
2. Fit the Cap over the body and twist together in a clockwise direction.
3. Place a 2TN nozzle into the 2T body with the small end of the nozzle pointed towards the Cap.
4. Twist the body and the Quick Change Adapter together in a clockwise direction.

PLATE ASSEMBLY

- A. Stack parts as shown in Figure 1 with the shaft started into the hole of the plate.
- B. While keeping the plate and Cap Assembly straight, push the Cap Assembly into the plate until the shaft hits the bottom of the hole. **Don't use more than 35 pounds of force or the rotor plate can be damaged, causing a poor wetting pattern.**
- C. Use a 1/2" PVC coupler for comfort when pushing the Cap Assembly onto the plate as shown in Figure 1.
- D. The plate is properly installed when it is about 1/32" into the Motor Housing as shown in Figure 2.

Figure 1



ALWAYS BE SURE

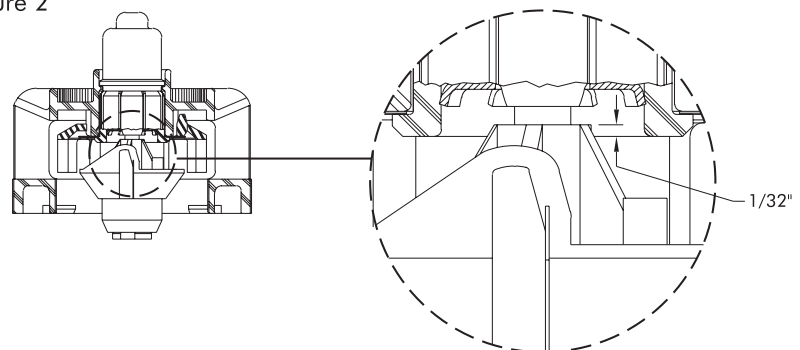
The diffuser and color band on the plate are the same color.

The nozzle size is recommended for the plate.

Operating pressures are between 30 and 60 PSI (2 to 4 BAR)

Proper assembly is essential to product satisfaction.

Figure 2



GENERAL DISASSEMBLY

1. Remove the Cap from the body by squeezing the release points (the words SQUEEZE) while turning counter-clockwise. For easy removal, use the #10689 Cap Removal tool. Position the tool (as shown on the left) to apply pressure to the words SQUEEZE.



2. Use the #10634 2TN nozzle removal tool to remove a 2TN nozzle. Firmly push the tool into the bottom of the nozzle. While pushing in, turn the tool clockwise ¼ turn, then pull outward to remove the nozzle. Grip the nozzle with pliers and turn counter-clockwise to remove the 2TN nozzle from the tool.



WARNING: Never try to disassemble a 2000FC Nozzle Body! This nozzle is permanently pressed into the 2T body.



3. To remove the Plate from the Cap Assembly, hook the plate removal tool #9620 onto the rim of the plate as shown on the left. Then grip the Cap Assembly with your other hand and pull the plate away from the cap.

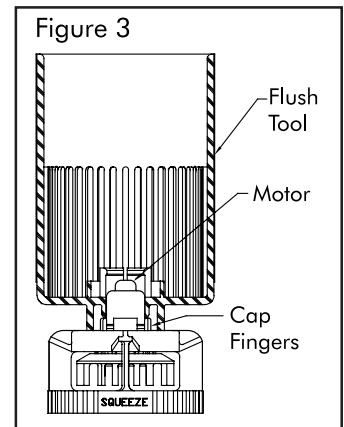


WARNING: To avoid damage to the R2000, never try to remove the plate from the cap assembly without the plate removal tool #9620.

REPAIR

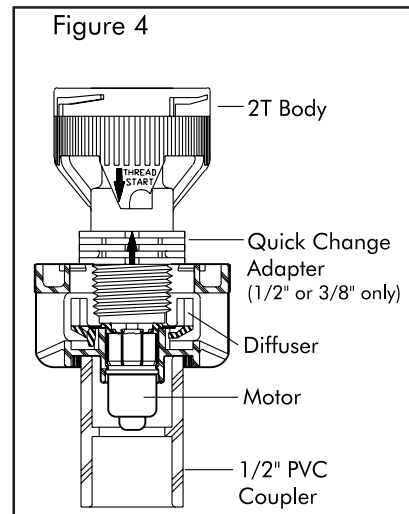
To Disassemble the Cap Assembly

1. Press the small end of the Flush Tool over the Motor housing to release the Cap fingers (See Figure 3).
2. Push the Motor out of the Cap with your hand.



To Assemble the Cap Assembly

- A. Place a 1/2" PVC coupler on a table.
- B. Place a Cap on the coupler as shown in Figure 4.
- C. Place the diffuser ring over the hub inside the cap.
- D. Place the retaining washer on top of the hub.
- E. Push the motor through the washer and diffuser and into the hub of the cap.
- F. Use a Quick Change Adapter (1/2" or 3/8") connected to a 2T body to snap the motor fully into place as shown in Figure 4.



WARRANTY AND DISCLAIMER: Nelson R2000 Rotators are warranted for one year from the date of original sale to be free of defective material and workmanship when used within the working specifications for which the products were designed and under normal use and service. The manufacturer assumes no responsibility for installation, removal or unauthorized repair of defective parts and the manufacturer will not be liable for any crop or other consequential damages resulting from any defects or breach of warranty. THIS WARRANTY IS EXPRESSLY IN LIEU OF ALL OTHER WARRANTIES, EXPRESS OR IMPLIED, INCLUDING THE WARRANTIES OF MERCHANTABILITY AND FITNESS FOR PARTICULAR PURPOSES AND OF ALL OTHER OBLIGATIONS OR LIABILITIES OF MANUFACTURER. No agent, employee or representative of the manufacturer has authority to waive, alter or add to the provisions of this warranty nor to make any representations or warranty not contained herein. This product may be covered by one or more of the following U.S. Patent Numbers 4796811, RE33823, DES312865, 5058806, 5372307, 5875815 and other U.S. Patents pending or corresponding issued or pending foreign patents.