
MODEL 2600 SERIES II
RAISED BED PLASTIC MULCH LAYER

ASSEMBLY
INSTRUCTIONS

Rain-Flo Irrigation

929 Reading Road

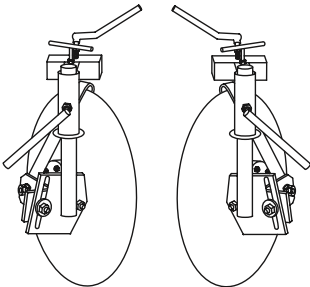
East Earl, Pa 17519

PH: 717-445-3000

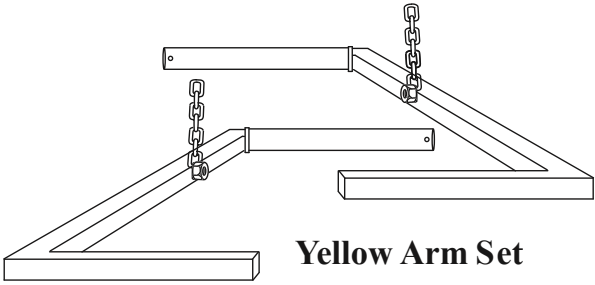
STEP 1



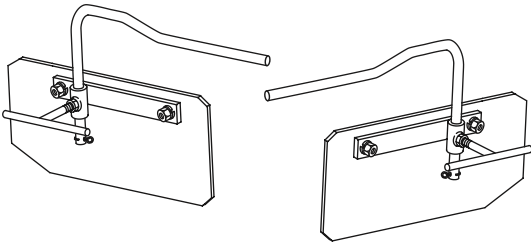
Standard parts shipped with equipment:



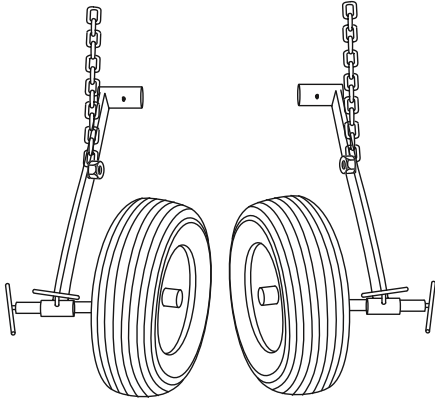
Cover Disk Set



Yellow Arm Set



Dirt Shield Set



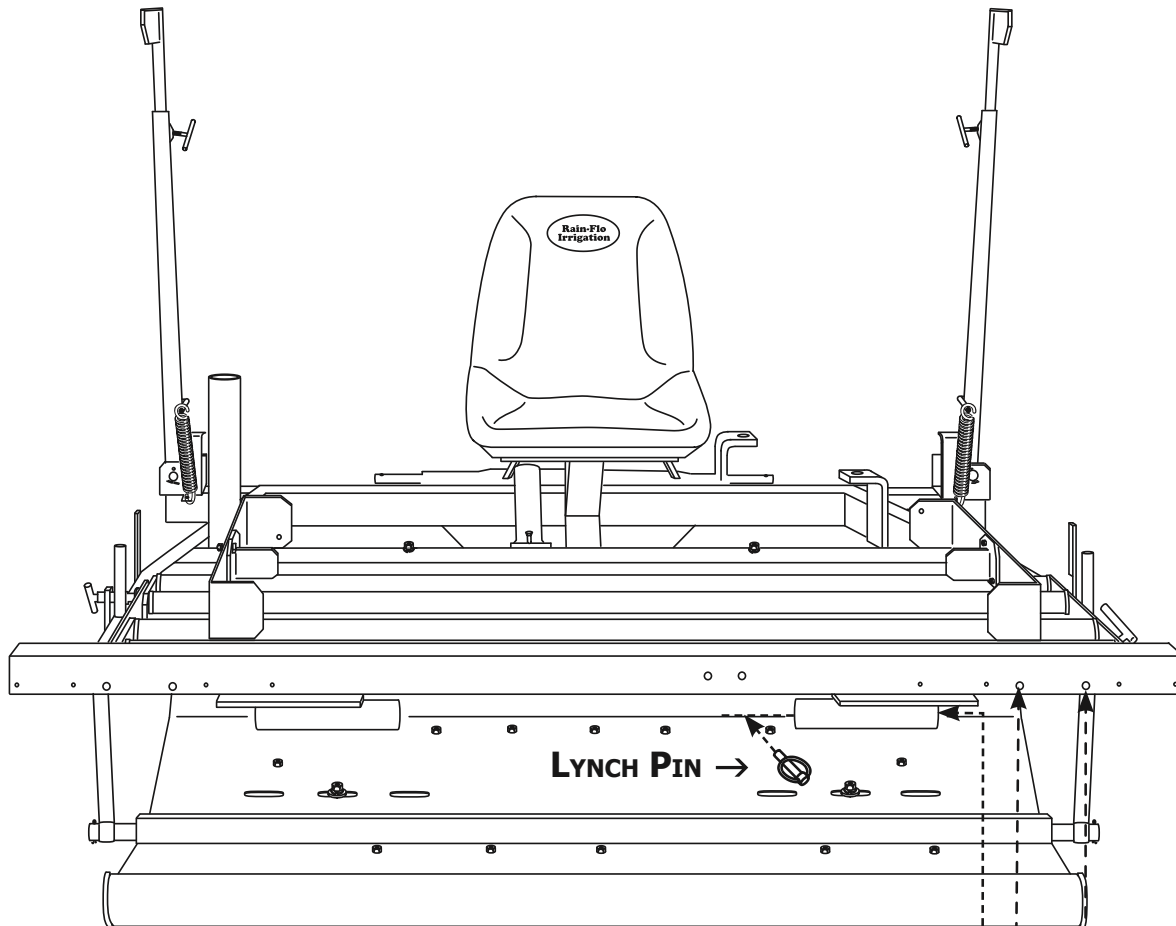
Press Wheel Set

1

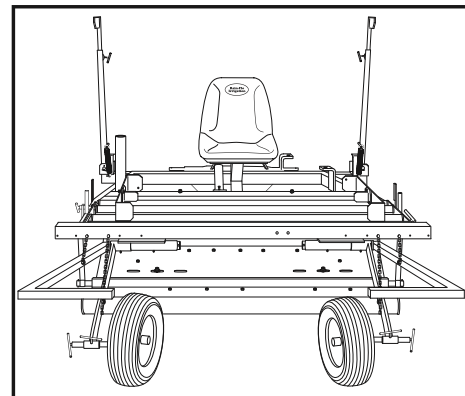
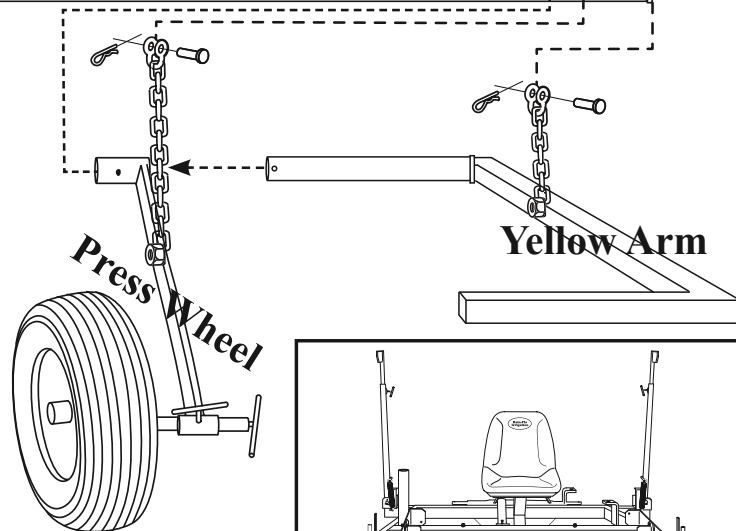
STEP 2

YELLOW ARMS & PRESS WHEELS

See Operating Manual for adjustments.



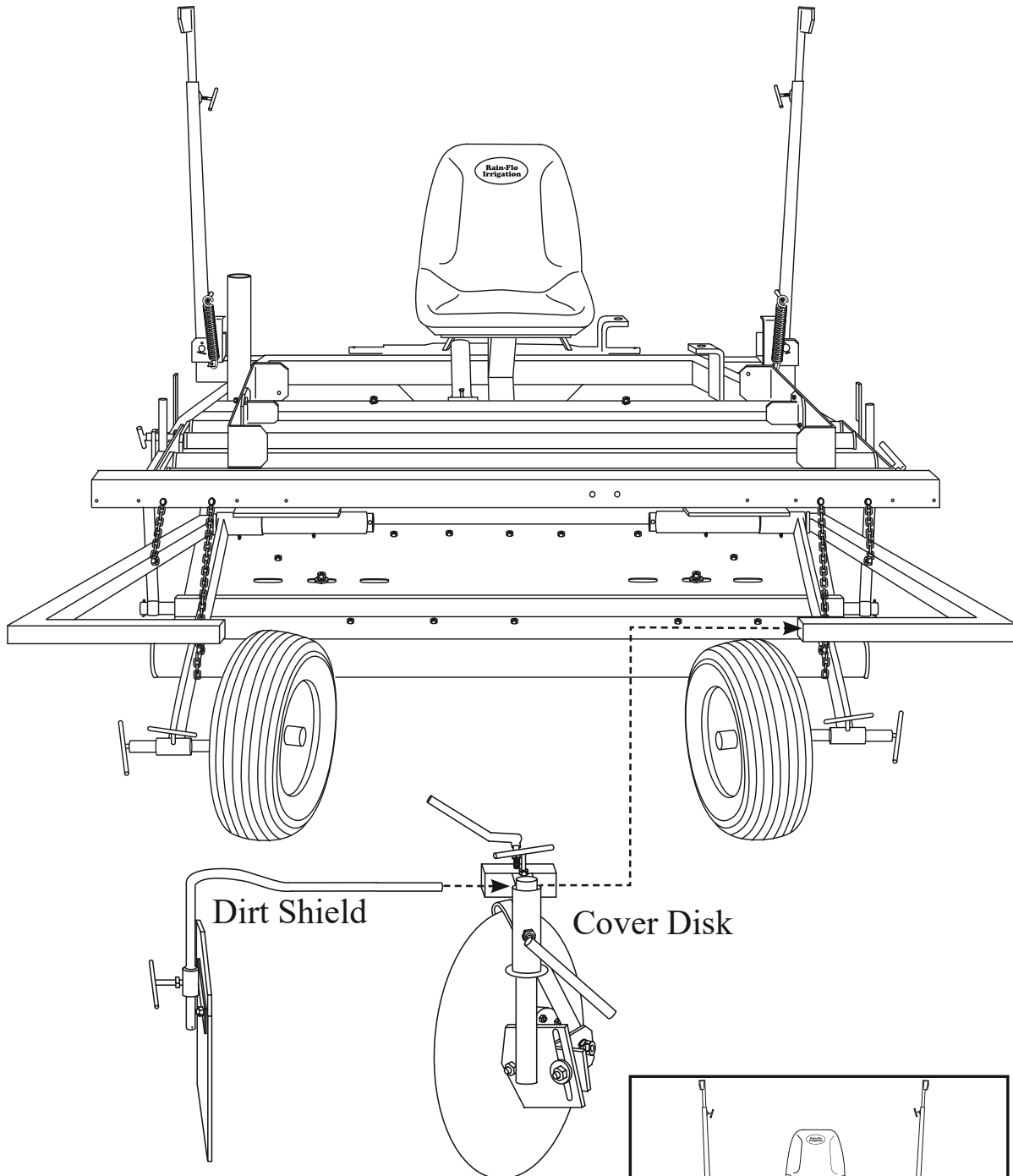
Remove lynch pin from hole on yellow arm and slide yellow arm through press wheel and into hinge. Fasten in place with lynch pin. Secure chains to holes as shown.



STEP 3

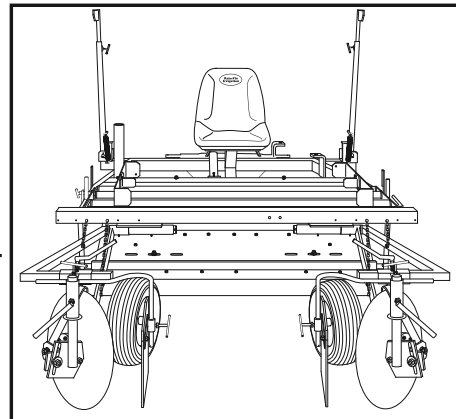
DISKS AND DIRT SHIELDS

See Operating Manual for adjustments.



Slide disk bracket over end of yellow bar and tighten in place with yellow lock handle. Install dirt shield as shown, by sliding end through hole and fastening with tee lock handle.

3



STEP 4

CHISEL TEETH

See Operating Manual for adjustments.

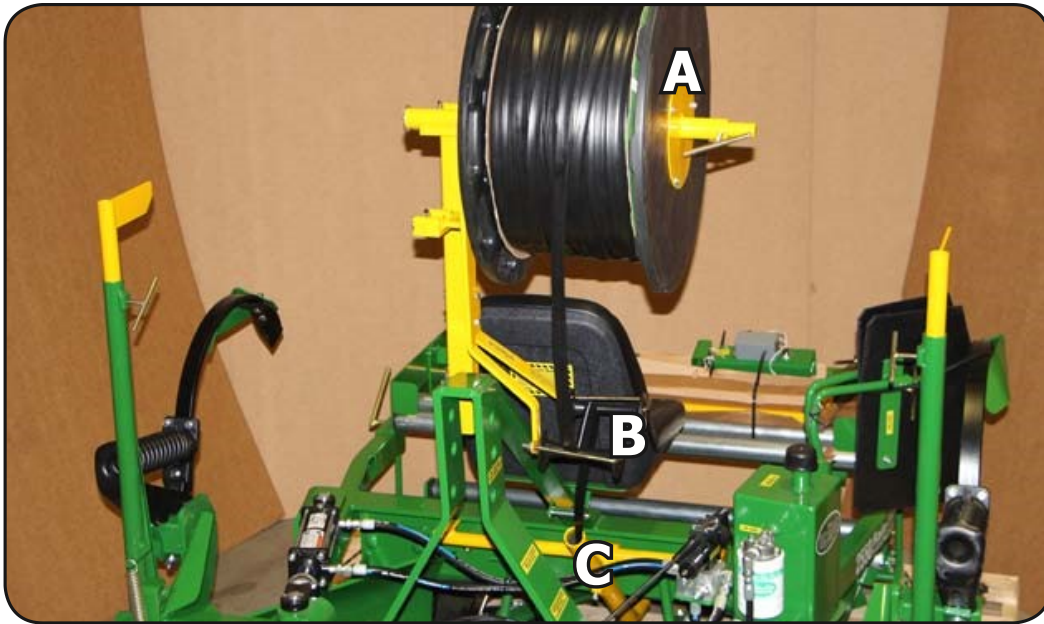


Chisel teeth are upside down for shipping.
Rotate chisel tooth till tip is on bottom.

STEP 5

INSTALLING DRIP TAPE AND PLASTIC

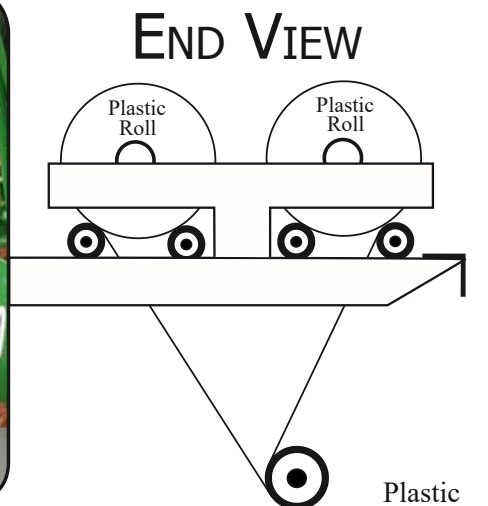
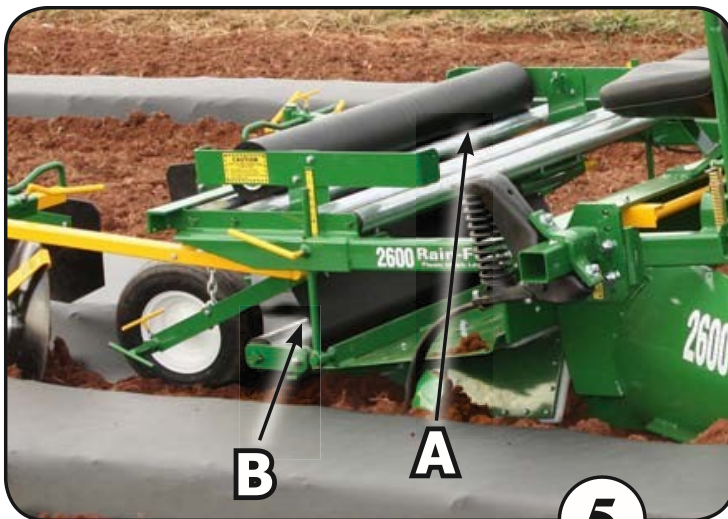
See Operating Manual for adjustments.



Drip Tape: Remove plate with locking clamp(A). Slide drip roll onto rod, press plate(A) tight against roll and tighten tee-handle on clamp. Feed drip tape through swing arm guide and stationary guide (B) then into down pipe(C).

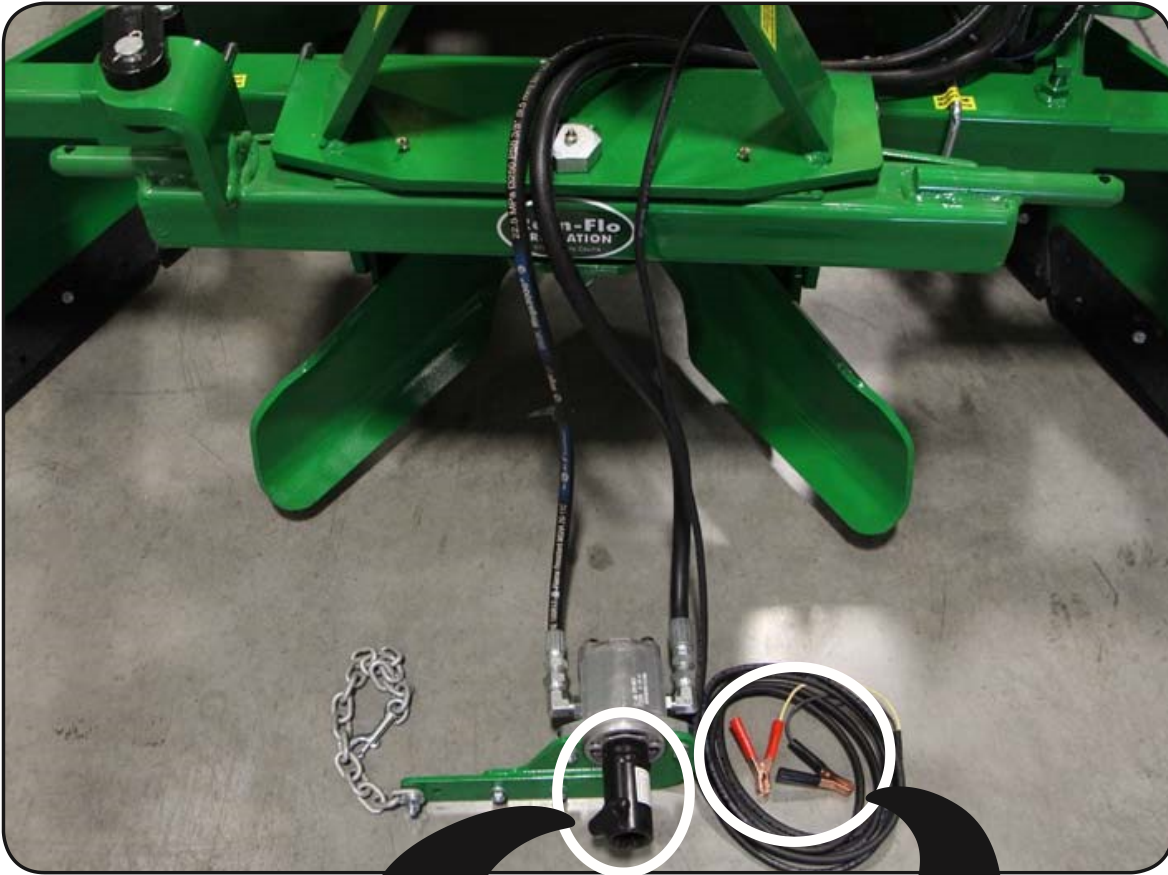
Note; Turn drip emitters up toward plastic for less clogging, and to avoid damaging drip tape with the press pan, adjust down pipe about 1- 2” below the plastic mulch. Also make sure drip roll is compressed firmly between plates for positive braking effect.

Plastic: Place plastic rolls on top of rollers(A). Pull end of plastic down in between rollers and underneath bottom roller(B). Secure plastic and drip tape at end of row. Only feed from one roll at a time.



STEP 6

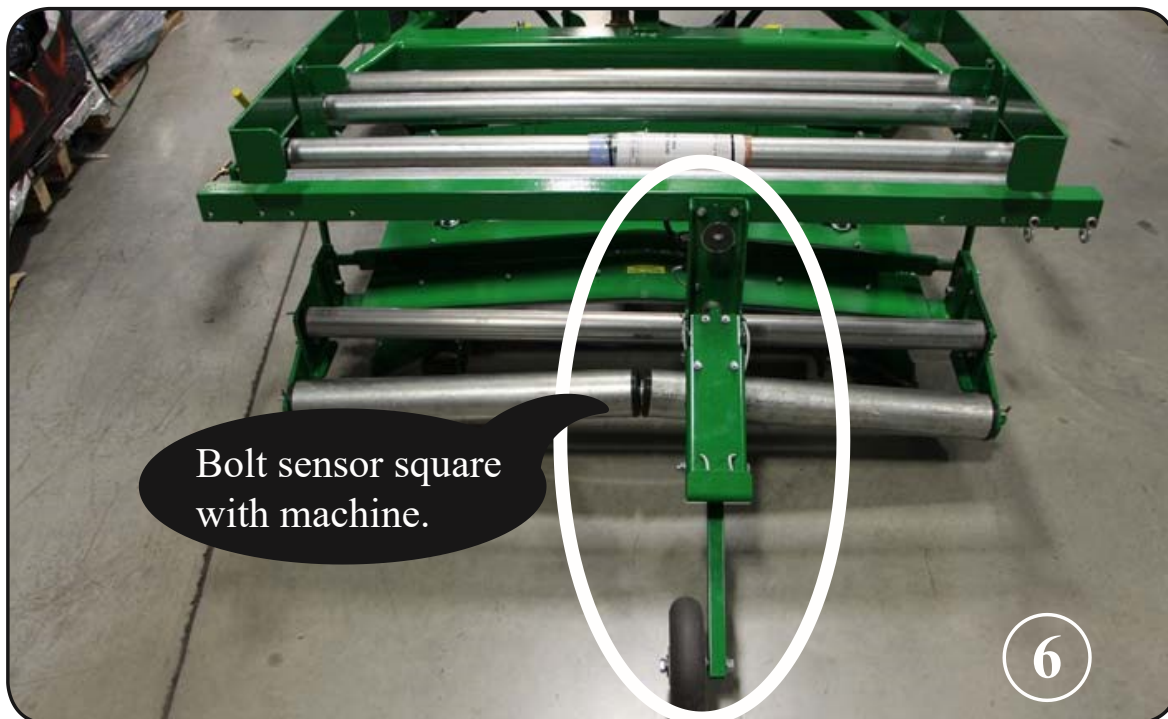
TRACTOR HOOK-UP



Hook up to tractor pto.

Connect to 12V battery.

Note: Small 12V battery mounted on machine will also work.



Bolt sensor square with machine.

~2015 Edition~



Rain-Flo Irrigation
(717) 445-3000