

---

**MODEL 2550 SERIES II**  
**RAISED BED PLASTIC MULCH LAYER**

---

**OPERATING**  
**MANUAL**

***Rain-Flo Irrigation***

929 Reading Road  
East Earl, Pa 17519  
PH: 717-445-3000

# Table Of Contents

Bed Height . . . . .	6
Bed Press . . . . .	7
Bed Width . . . . .	7
Chisel Tooth . . . . .	12
Cover Disk . . . . .	11
Dirt Shield . . . . .	11
Drip Irrigation Attachment . . . . .	15
Drip Tape Down Pipe . . . . .	15
Getting Started . . . . .	5
Features . . . . .	4
Helpful Tips . . . . .	30
Options . . . . .	4
Parts Breakdown, Descriptions . . . . .	24-28
Parts Breakdown, Exploded Views . . . . .	17-23
Plastic Rolls, Installing . . . . .	8
Plastic Tensioning . . . . .	8
Plastic Width . . . . .	16
Preparation Of Soil . . . . .	4
Press Wheel . . . . .	9
Ro-Trak, Maintenance . . . . .	14
Ro-Trak, Sensor . . . . .	13
Ro-Trak, Trouble Shooting . . . . .	14
Safety First . . . . .	3
Trench Opener . . . . .	10
Trouble Shooting . . . . .	31
Warranty . . . . .	30

# **!! Safety First !!**

---

- ⚠ No riders beyond the speed of 3 MPH. Make sure you read and understand all the precautions.
- ⚠ Keep people away when lifting and lowering the machine.
- ⚠ Be careful when turning around; machine is 8' long.
- ⚠ Do not crawl under the machine when lifted.
- ⚠ Cover discs are sharp; stay clear.
- ⚠ Do not adjust the machine when it is moving.
- ⚠ Do not stand on machine.
- ⚠ Do not sit on machine except designated seat.
- ⚠ Tractor operator is responsible for extra worker(s) around machine.
- ⚠ Rain-Flo Irrigation is not responsible for accidents if any should occur.

# 2550 Features

- 60 hp FWD tractor size minimum.
- Minimum row centers, 50” at 3’ or 60” at 4’ plastic.
- Adjustable plastic width from 3 ft. to 4 ft. wide plastic.
- Adjustable bed height from 3” to 7” high bed.
- Adjustable tension brake on plastic roll carriers.
- Adjustable row markers.
- Operator seat.
- Replaceable, reversible plow share blades.
- UHMW poly lined bed press.
- Bed press has adjustable side press plates, for more or less plastic coverage.
- Quality powder coated baked-on paint.

## Options

- Automatic self steering Ro-trak for hill sides.
- Single or double drip applicator.
- Crowned bed press for level field.
- Center fillers, to help fill center of bed.
- 400 lb. ground driven dry fertilizer hopper.
- Fumigation tank mounts with gas knives.

## Soil Preparation

- \* To build a uniform firm bed with no hollow spots, soil has to be prepared properly.
- \* All soils are different. Some (moist, sandy) soils make nicer square beds than others. You need to know what soil preparation works best with your soil.
- \* Machine performs the best if plowed 6” to 8” deep.
- \* Soil should be harrowed or roto-tilled until free of sod lumps.
- \* Proper moisture in soil is important to form nice firm beds. For best results, soil should not be powder dry or in muddy condition.

# Getting Started

Before laying plastic, you may want to try out the machine in making beds only, to get the feel of the machine.

Adjust 3-point top link on tractor to level the machine.

Let full weight of machine down and regulate amount of soil with length of top link.

It is not necessary to pull more soil than needed to fill the bed. Pulling too much soil may cause tractor slippage, therefor resulting side drifting.

To get a higher, firmer bed, grower may want to pre-bed (make beds without laying plastic) then come back to lay plastic mulch. This will also help removing shallow spots in bed. Disk blades can be removed when making beds only.



# Bed Height Adjustment

Bed height is adjusted by lifting and lowering the bed press. Use label ruler behind pin indicator (top of pin) located on both sides of the machine to determine bed height(See below).

To adjust bed height, release the lock handles. Raising the bed is done by two people lifting the deck by hand, or by slowly driving forward with the 3-point hitch in down position; the soil will lift the bed press. To lower the bed, slowly lift 3-point hitch with the tractor to the desired height and lock the handles.

If your bed is not firm and has shallow spots in the center, add weight on the bed press, adjust the top link, and/or install the optional center of bed fillers.

Bed Height Indicator



Lock Handle Adjustment

**Important:** When bed height is adjusted, bed width (page 7) and trench openers (page 10) need to be adjusted accordingly.

3 Ft. Plastic		4 Ft. Plastic	
Bed Height	Bed Width	Bed Height	Bed Width
4"	.....20"	4"	.....30"
6"	.....16"	6"	.....26"
8"	.....12"	8"	.....22"

# Bed Width Adjustment

The bed press has adjustable side plates (photo at bottom). These must be adjusted according to bed height by releasing the bolt and sliding the side plates in or out at the slot. *Make sure bolts are tight to keep them from slipping.* For setting, follow chart on machine or on page 6. It is important to maintain enough plastic at the edge for proper coverage.

**NOTE;** For straight beds, each side must be equally adjusted.



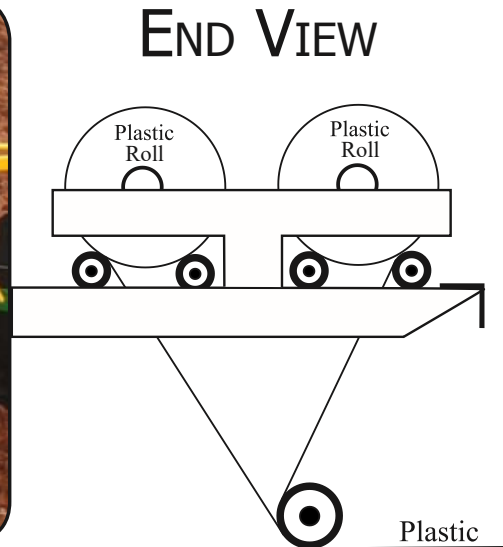
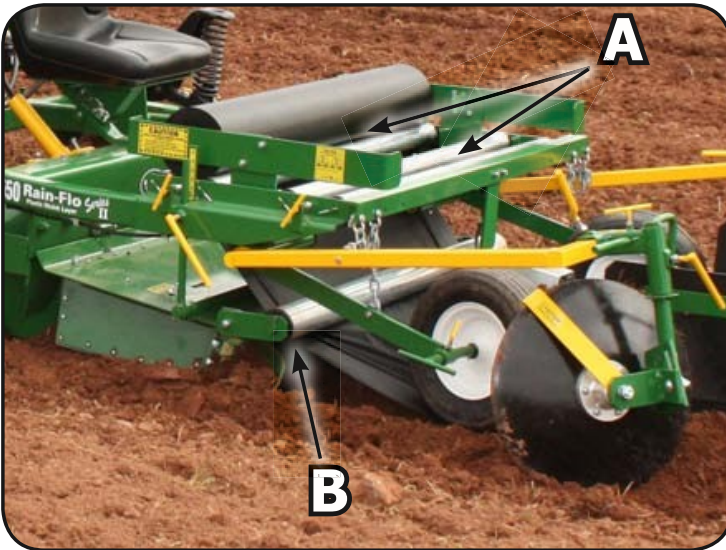
Adjustment Slot  
for Side Plates



Adjustable Side Plates

# Installing Plastic Rolls

To install plastic rolls, place them on top of rollers (A). Pull end of plastic down in between rollers and underneath bottom roller (B). Secure plastic and drip tape at end of row. Only feed from one roll at a time.



## Plastic Tension

Plastic rolls have a tension brake. *Just a slight tension is needed.*

**Note;** Setting brake tension too tight may affect the performance of the machine and can cause plastic to pull out from under press tires.



Tension  
Brake  
Adjustment



# Press Wheel Adjustment

Press wheels need to run at the bottom of the trench and not on the side to stretch the plastic properly. To adjust, loosen T-handle and make in or out changes as needed.

Tilt the front of the press wheel on an inward angle to stretch the plastic.

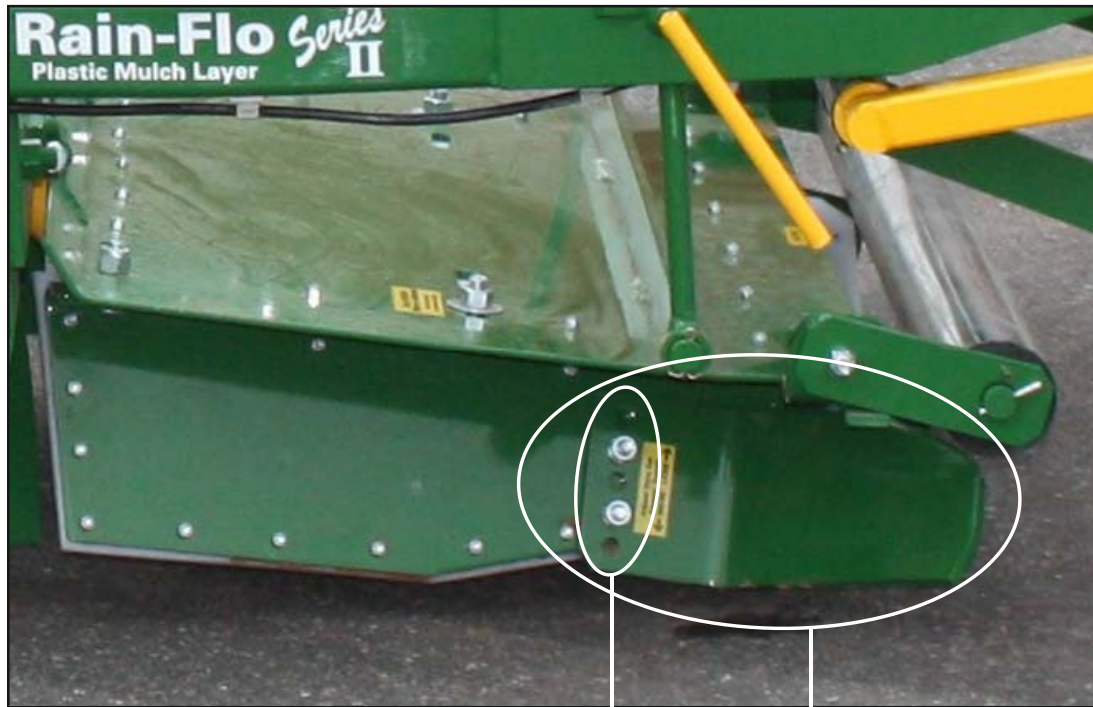
Use only high quality plastic to avoid straight line tear.



Adjustment  
Setting

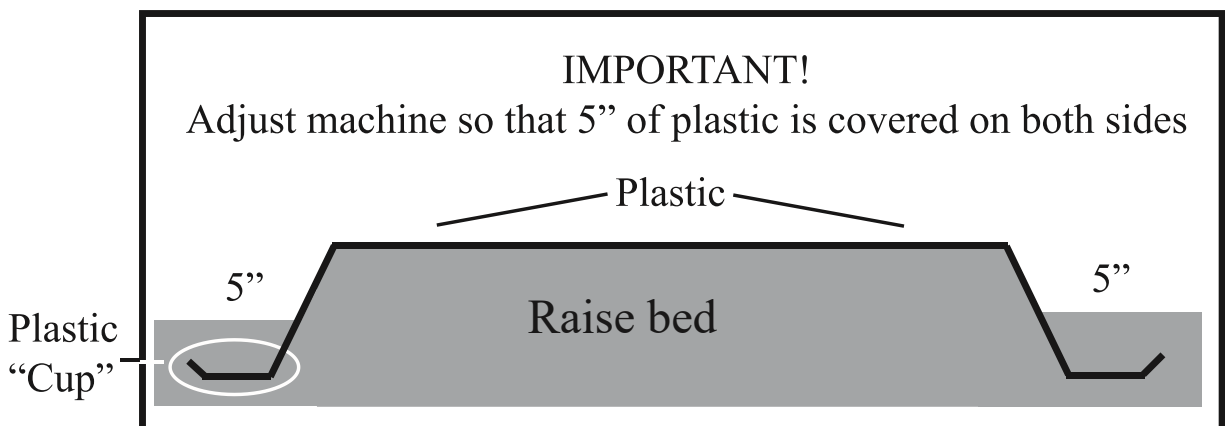
# Trench Opener Adjustment

Trench openers are to cut a trench along the sides of the bed. This will give a 'cup' at the edge of the bed to prevent the plastic from blowing off. If bed height is adjusted, the trench opener has to be adjusted accordingly.



Depth  
Setting

Trench  
Opener



# Cover Disk Adjustments

Cover disks and dirt shields are marked right and left side (standing in back). Install shields as marked, with 'T' handle towards the center of the bed. Set disks on a 45 degree angle; make in or out adjustment as needed. For more or less coverage, tilt disk forward or backward as decal shows (pictured at bottom).

In some sandy soils the disk blades can be laid in a flatter position and turned at a 45 degree angle. However if it does not cover the plastic properly, the disks need to be set more upright or tilted back.



# Chisel Tooth Adjustment

Depth  
Adjustment



Chisel teeth are to loosen more soil for the cover disks. Adjust so that tooth is approximately 1" to 2" below bed formers.

Adjust chisel shank in or out so they are in line with cover disks.



Notice the amount of soil chisel shank is loosening for cover disk.

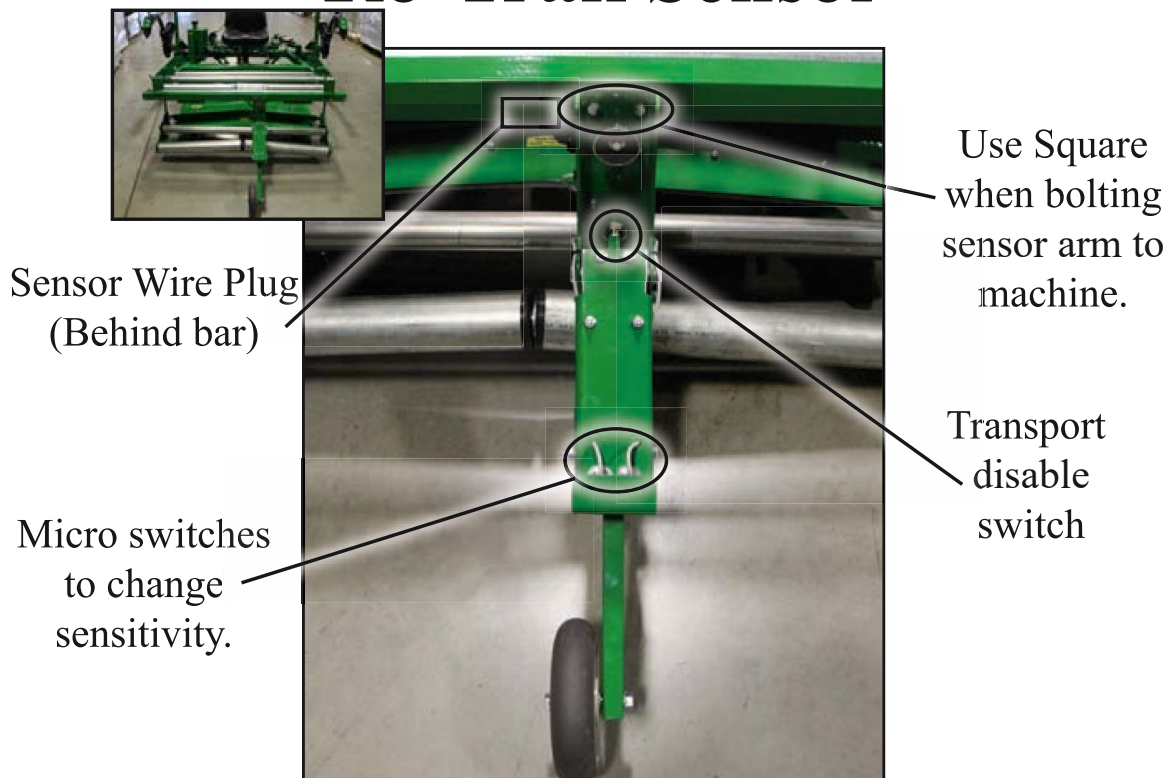
# AUTO RO-TRAK

- \*Ro-trak has the most benefits on hillsides and contours.
- \*Automatically steers to correct machine side drifting.
- \*Ro-trak is activated by a sensor at back of machine.

## Helpful Tips

- \*When installing Hyd pump, lead hoses through 3-point A frame.
- \*Inspect and make sensor square to machine.
- \*Twelve-volts can be supplied by tractor or a separate battery.
- \*Ro-trak requires only low RPM pto speed to function.
- \*Hollow bed can effect Ro-trak performance.
- \*If machine has been setting for a period of time, it may be necessary to manually move the valve spools to get oil through the system.
- \*With pto pump running, use a Phillips screw driver and push the silver tip of the spool inward approximately 1/4" (Page 14.)
- \*Manual Ro-trak is operated with tractor Hyd. and must be steered by tractor operator.

## Ro-Trak Sensor



# Maintenance

1. Periodically check oil level. Low oil level may cause air to come into the system and effect Ro-trak performance.
2. Change oil and filter every 200 hours or 3 years (ISO 46 Hyd. Oil).
3. Also check for any damaged hoses or electric wires.

---

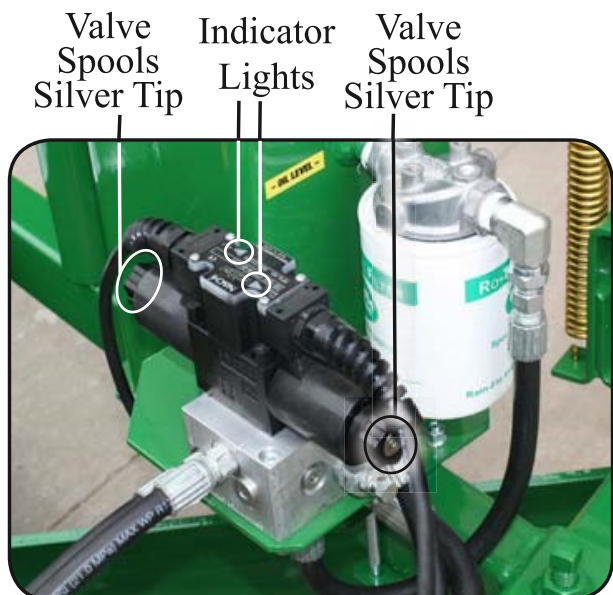
## **Ro-Trak not functioning? Check for these problems.**

1. Is the PTO engaged?
2. Is a 12 volt battery properly connected?
3. Is the sensor at rear of machine plugged in?
4. Check oil level.
5. Check for any damaged hoses or wires.
6. Is sensor lifted 3” or more? (Sensor has a transport cut off switch).
7. Do the indicator lights on solenoid light-up?
8. If indicator lights light-up and Ro-trak doesn’t function, push in silver pins on solenoid spools (approximately ¼” on either side).
9. If indicator lights do not light up, undo plate on top of solenoid and check for loose wires.
10. Steers only one way? Change bad steering switch in sensor.
11. Call Rain-Flo at 717-445-3000.

## Auto Ro-Trak



## Solenoid Valve

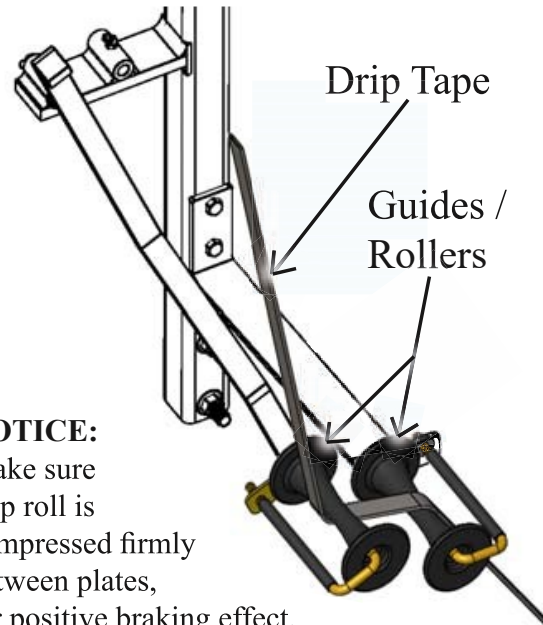


# Drip Irrigation Roll Carrier



Slide drip roll onto roll carrier rod so that drip emitter will be turned up toward plastic (for less clogging).

Feed drip tape through the guide on the swing arm and through the second guide that's bolted on the drip roll carrier frame. (See sketch below.)



**NOTICE:**  
Make sure drip roll is compressed firmly between plates, for positive braking effect.

---

## Drip Irr. Tape Placement



Feed drip line through the guides on the spool carrier and into the drip line down pipe.

To avoid damaging drip tape with the press pan, adjust top of down pipe about 1" to 2" below the plastic mulch.

Turn drip emitters up toward the plastic for less clogging.

Drip Line  
Down Pipe

# CHANGING THE PLASTIC WIDTH

The Model 2550 will lay 3' and 4' wide plastic.

- ① To make these adjustments, release the lock bolts at front end of bed shapers (No.1 photo). Remove bolts at back end of bed shaper (No.2 photo) and slide to appropriate setting. Make sure bolts are tight.
- ② Adjust bed press side plates; remove bolts from bed press side plates and move to appropriate setting (No. 3) photo.
- ③ Adjust roll carrier; loosen bolts and slide bracket so plastic roll fits between bracket (No.4 photo). Adjust approximate 1½" wider than plastic width.



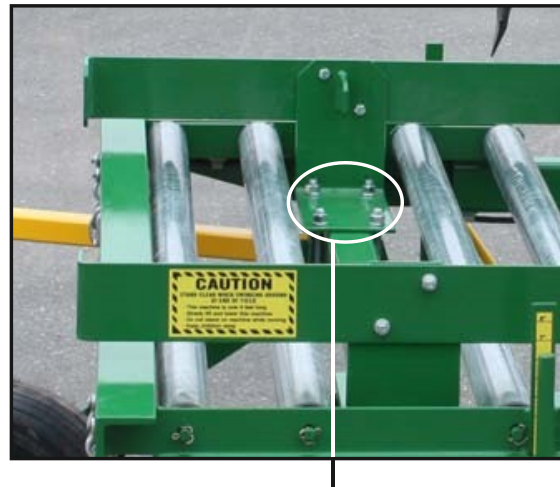
(No.1) Lock bolt



(No.2) Remove bolts on back side of bed former

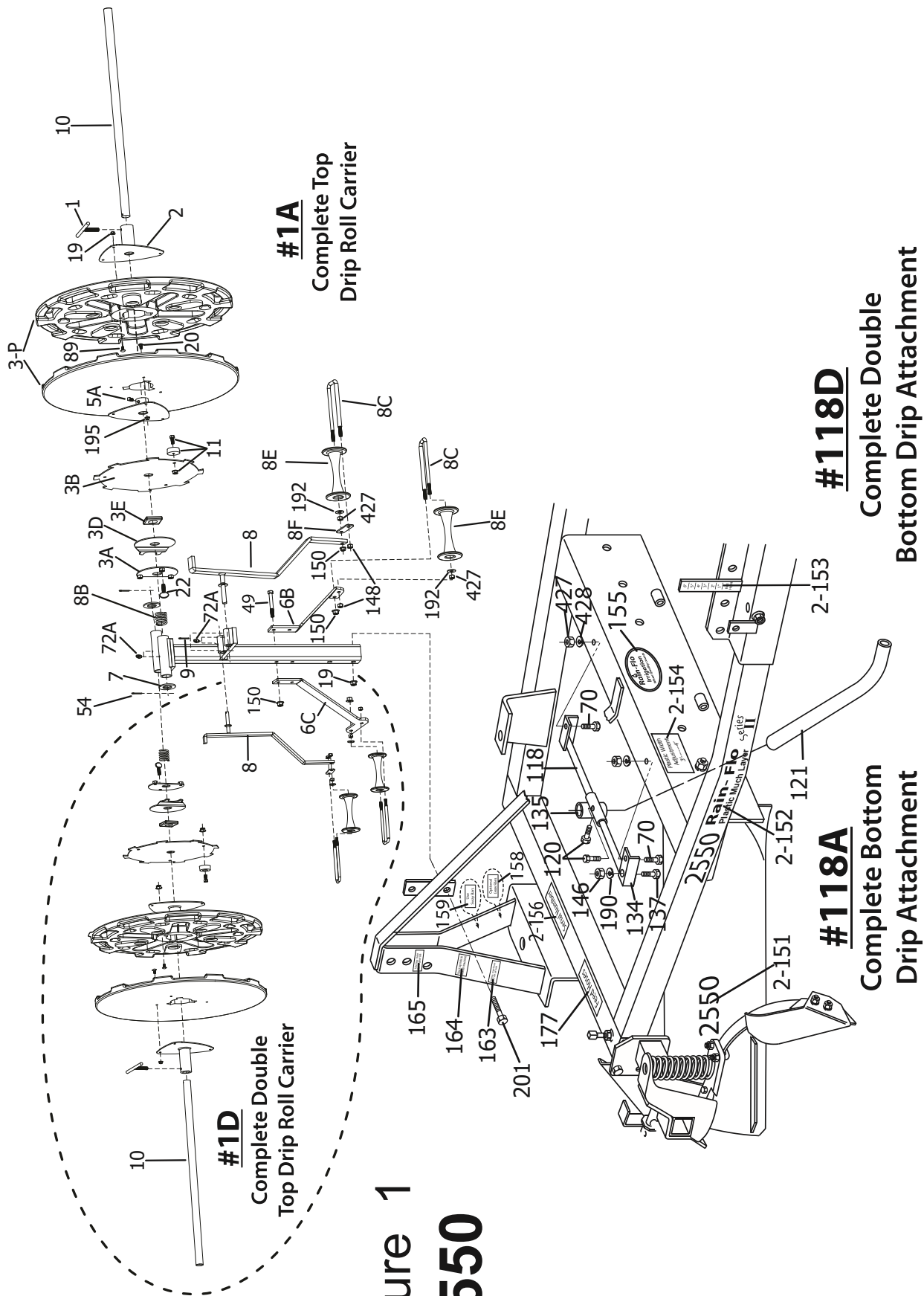


(No.3) Remove bolts from bed press side plates and move to appropriate setting. **NOTE;** For straight beds, each side must be equally adjusted.



(No.4) Rear Cover Disk and Plastic Width Adjustment





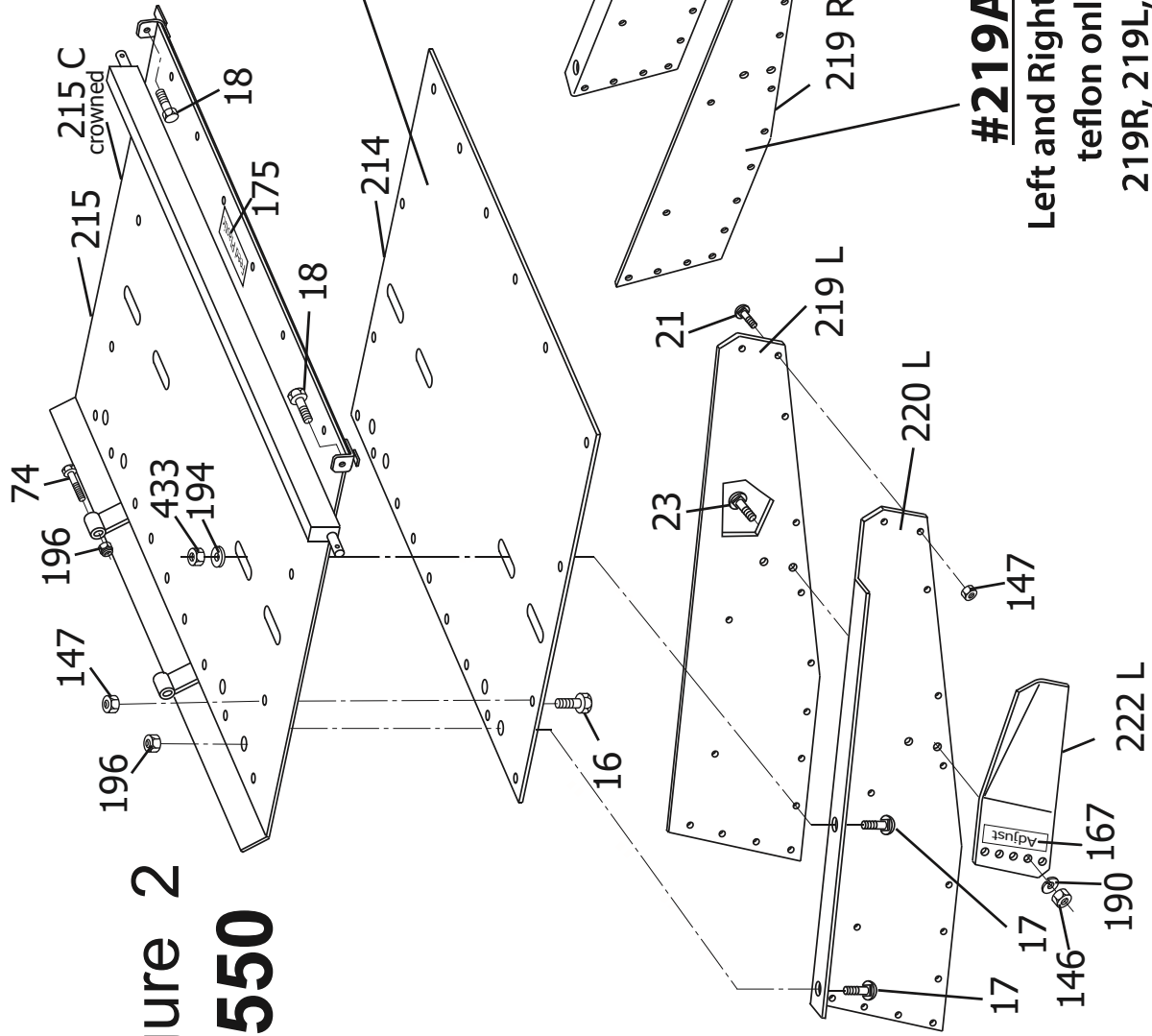
**Figure 1**  
**#2550**



**#215A**

Complete Flat Bed Pan  
With Out Bottom Roller  
14, 215, 16, 73, 74

**Figure 2**  
**2550**



**#214A**

Complete Teflon Kit  
(Top and side teflon)  
214, 16, 219R, 219L, 21

**#220CR**

Complete Side Plates  
with teflon  
17, 219R, 220R, 21

**#219A**

Left and Right Side  
teflon only  
219R, 219L, 21

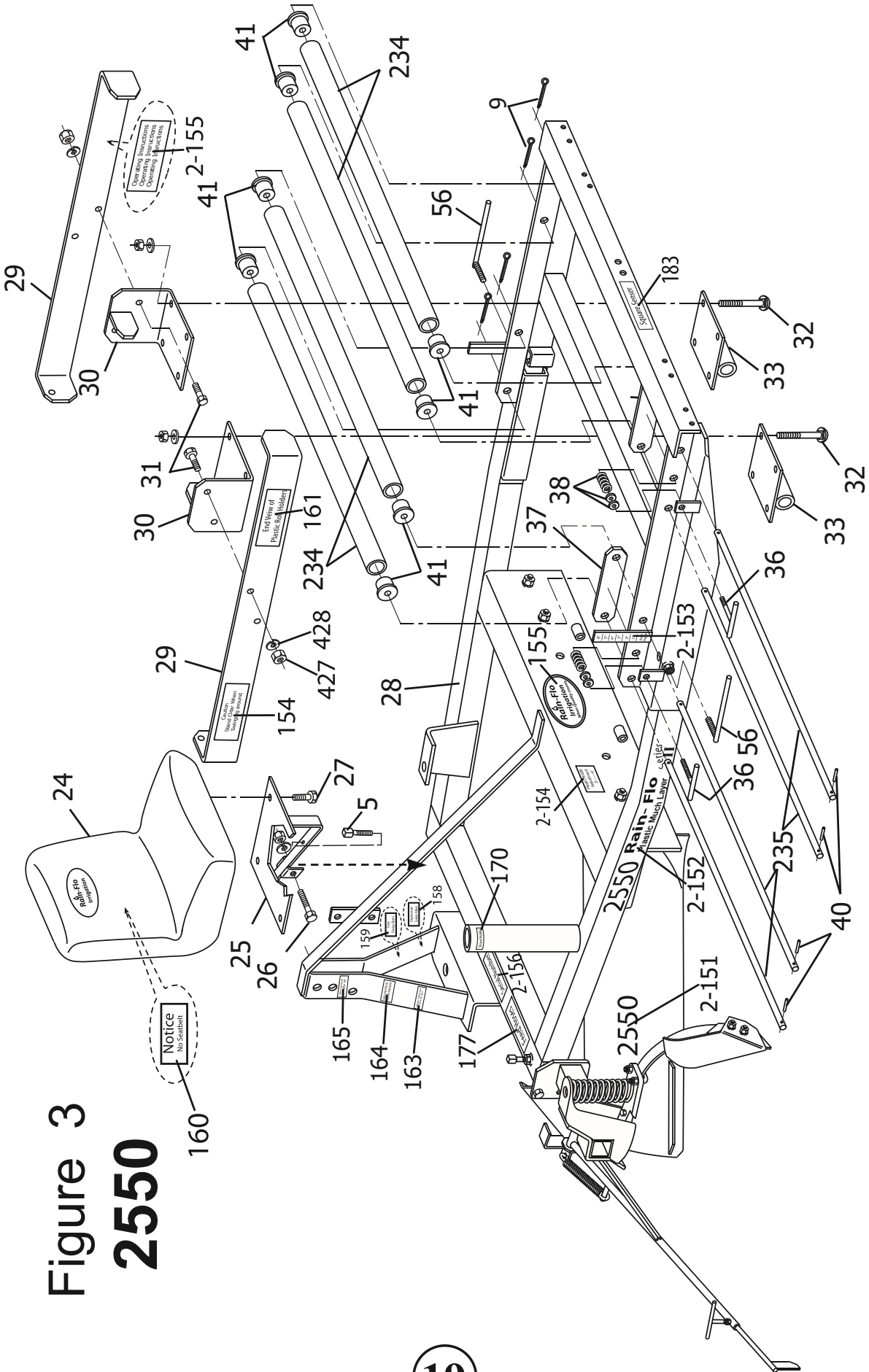


Figure 3  
2550

Figure 4  
2550

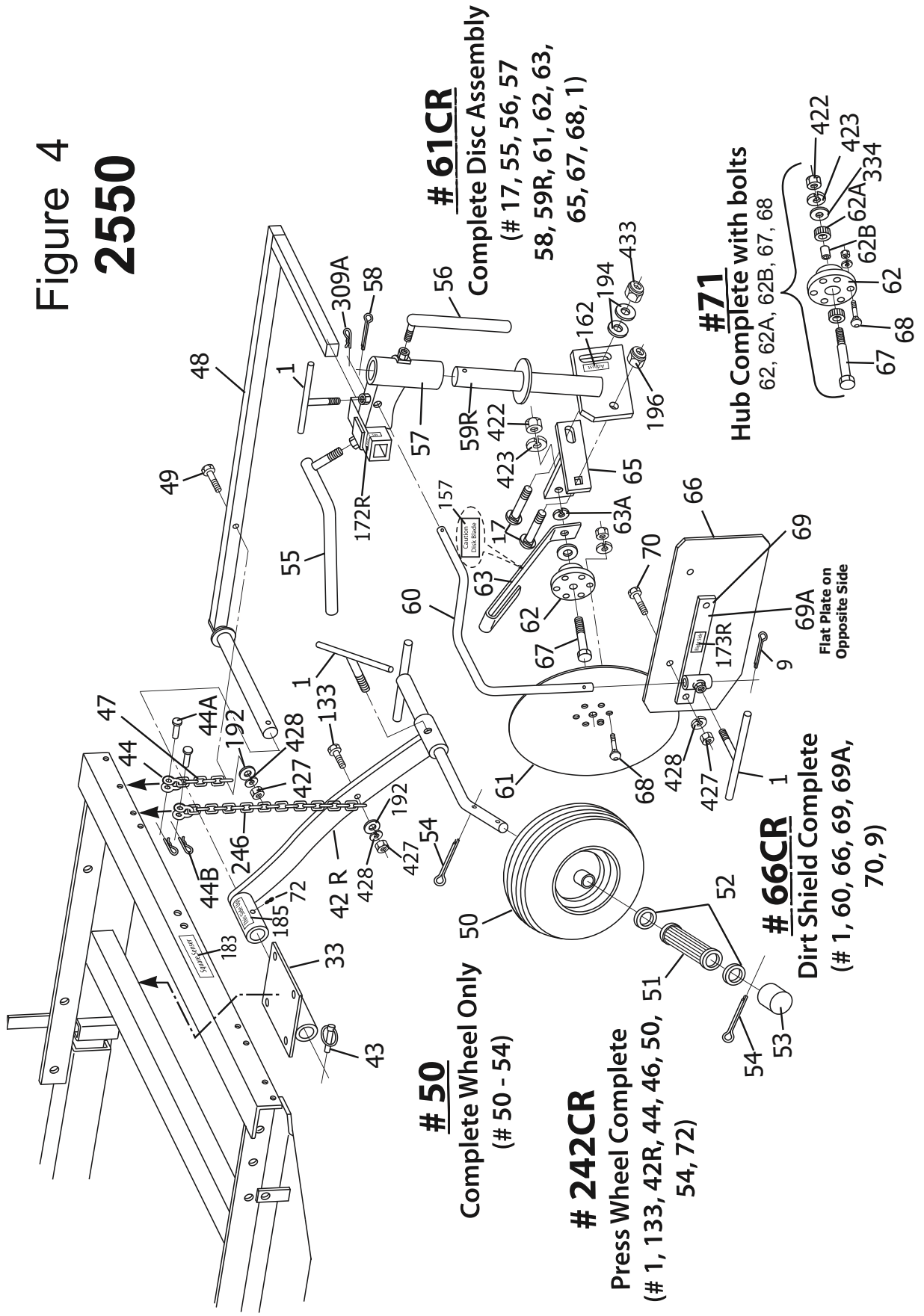
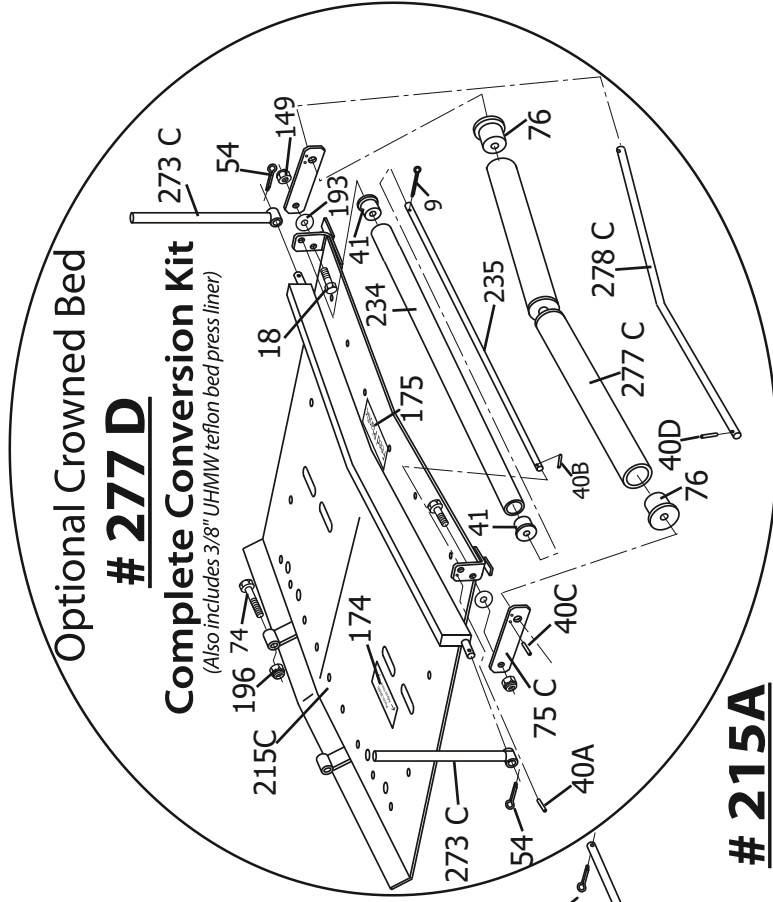


Figure 5  
2550



Optional Crowned Bed

**# 277 D**

**Complete Conversion Kit**

(Also includes 3/8" UHMW teflon bed press liner)

**# 215A**

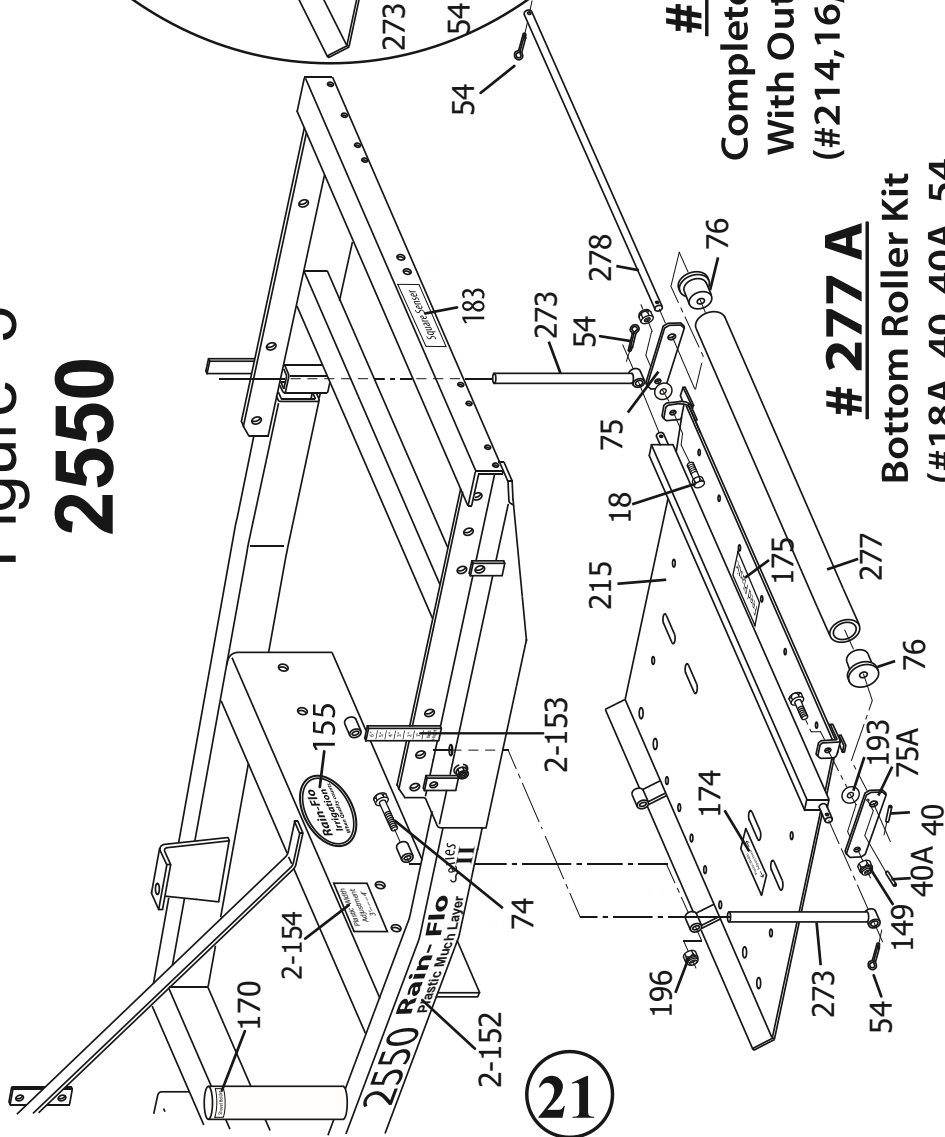
**Complete Flat Bed Press  
With Out Bottom Roller**

(#214,16,215,74,273,54)

**# 277 B**

**Crowned Bottom Roller Kit**

(#9, 18A, 234, 235, 40A, 40B,  
40C, 40D, 41, 76, 277C, 278C)



**# 277 A**

**Bottom Roller Kit**

(#18A, 40, 40A, 54,  
75, 75A, 76, 277, 278)

Figure 6

# 2550

## #92CL

Complete Row Marker  
1, 54, 92L, 93, 94, 95

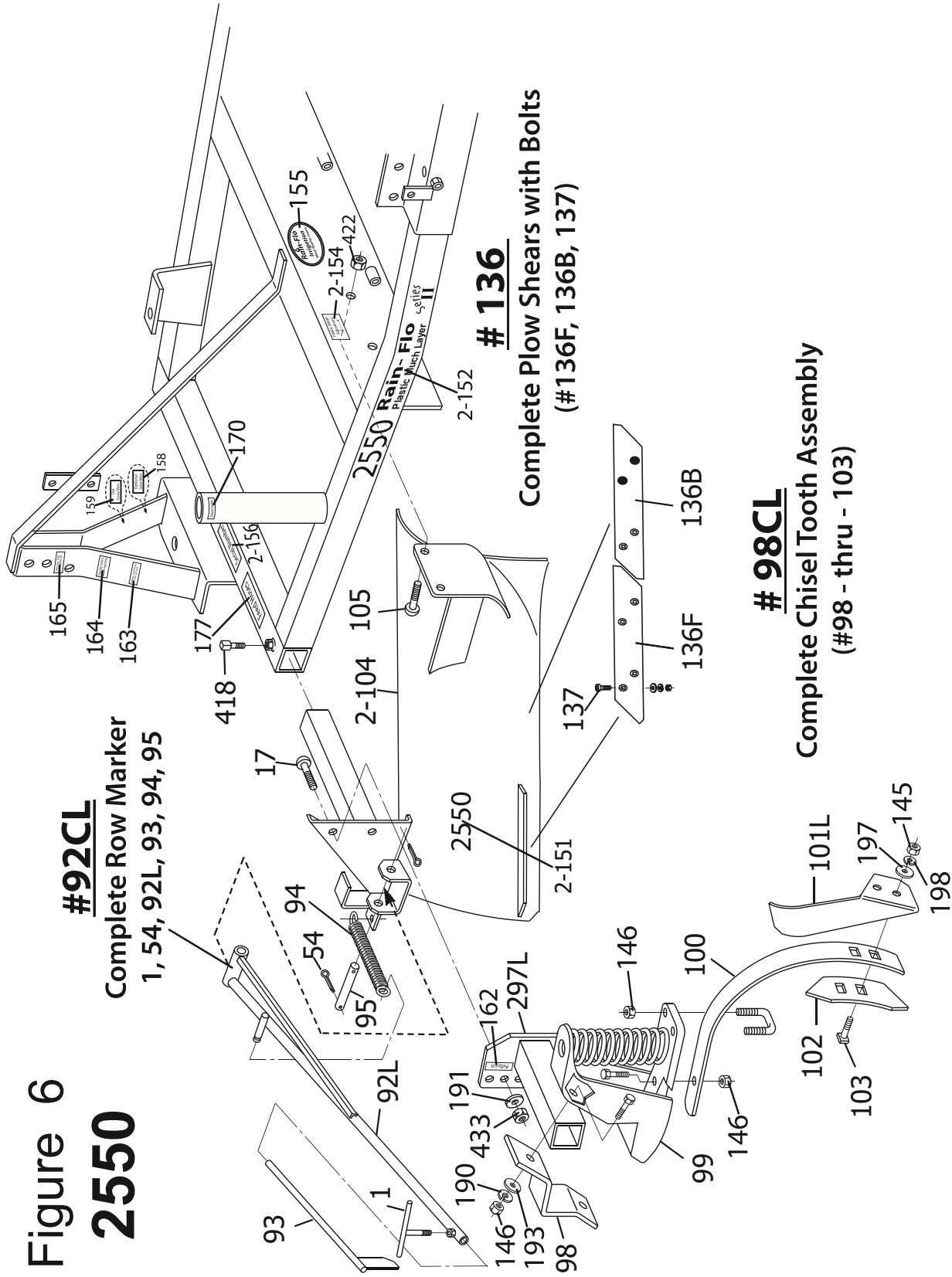
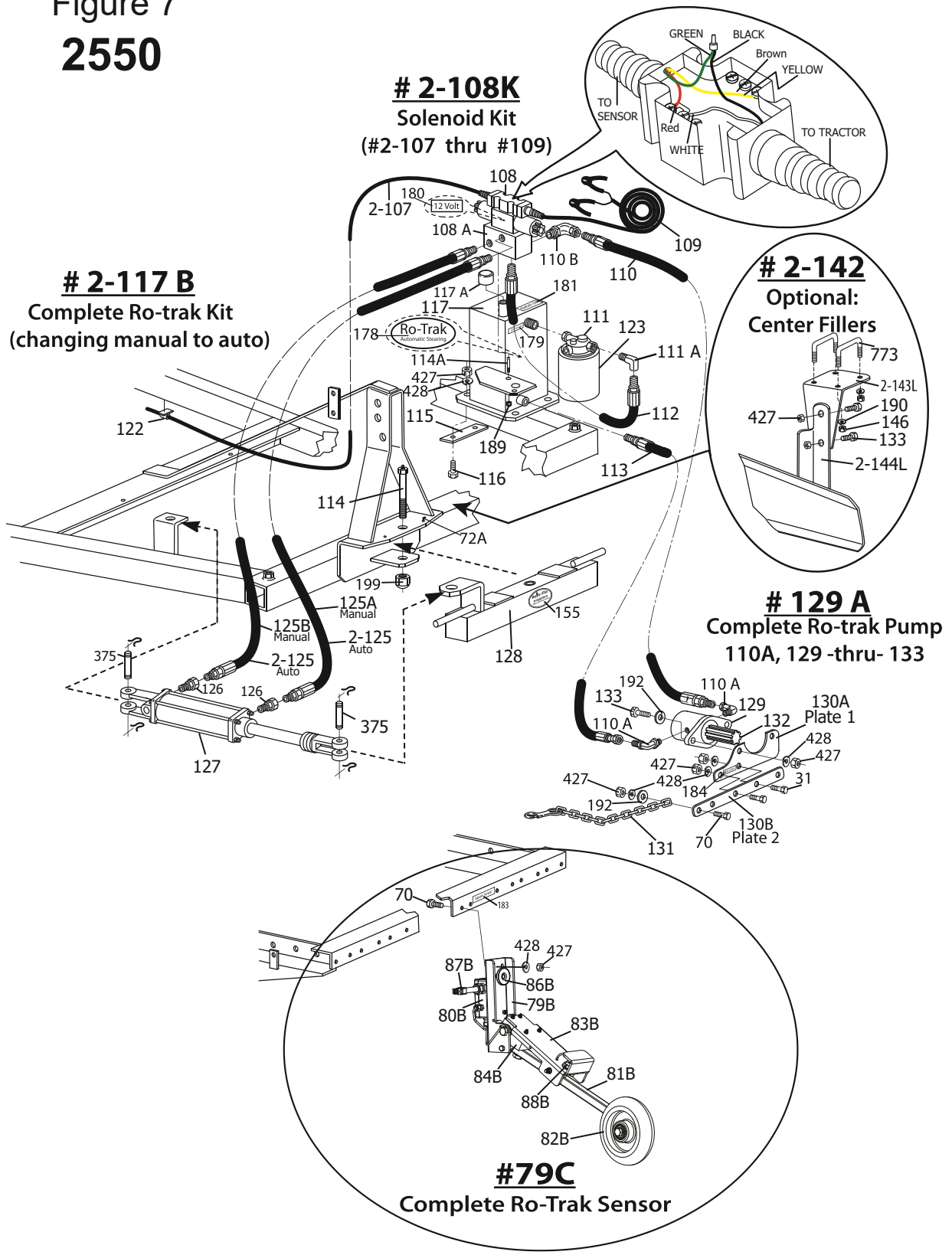


Figure 7  
2550



# Model 2550 Raised Bed Layer

ITEM #	DESCRIPTION
1.....(9).....	Tee handle
1A.....	Complete top drip roll carrier
1D.....	Complete double top drip roll carrier
2.....	Roll carrier clamp
3A.....	Drip attach adjustable brake tension plate
3B.....	Drip attach brake plate
3C.....	Drip attach -- mounting for brake plate
3D.....	Drip attach brake tension plate rotation stop
3E.....	Drip attach teflon continues brake washer
3-P.....(2).....	Drip roll side plates
5A.....	3/8" x 1/2" Set Screw
5.....(2).....	3/8" x 3/4" plate set screw
6.....	Drip roll carrier frame (Single and Double)
6B.....	Drip attach arm to guide drip tape
6C.....	Drip attach arm to guide drip tape for double drip
7.....	1" SAE washer
8.....	Swing arm
8B.....	Drip attach brake tension spring for 1" rod
8C.....(2).....	Drip Attach Arm U-Bolt 3/8" x 2" x 6-1/2"
8E.....(2).....	Drip attach arm plastic roller
8F.....	Drip attach arm U-bolt plate only
9.....(7).....	Cotter pin[1/8"]
10.....	Drip roll shaft
11.....(3).....	Rubber brake assembly.
13.....	Straight grease fitting
16.....	1/4" x 7/8" machine screw
17.....(12).....	5/8" x 2" carriage bolt
18.....(2).....	1/2" x 1 3/4" bolt
19.....(3).....	1/2" Flange Nut
20.....(3).....	5/16" x 3/4" Carriage Bolt
21.....(4).....	1/4" x 1" machine screw
22.....(3).....	5/16" x 1" Thumb Screw
23.....(4).....	1/2" x 1 1/2" carriage head bolt
24.....	Cushion seat
25.....	Seat mounting
26.....(3).....	3/8" x 3 3/4" bolt
27.....(4).....	5/16" x 1/2" bolts
28.....	Frame
29.....(2).....	Roll support plate
30.....(2).....	Roll width adjustment plate
31.....(6).....	3/8" x 1" bolt
32.....(8).....	1/2" x 4" carriage bolt
33.....(2).....	Bottom plate roll width adjustment
36.....(2).....	Tension tee handle
37.....(2).....	Tension plate
38.....(2).....	Tension spring and washers
40.....(9).....	3/16" x 2" roll pin



# Model 2550 Raised Bed Layer

ITEM #	DESCRIPTION
40A.....(2).....	3/16" x 1" roll pin
40B.....	3/16" x 1-1/2" roll pin
40C.....	1/4" x 1" roll pin
40D.....	1/4" x 2" roll pin
41.....(8).....	UHMW bushing
42L.....	Left side press wheel arm
42R.....	Right side press wheel arm
43.....(2).....	Lynch pin
44.....(4).....	Chain shackle complete
44A.....	Chain shackle pin
44B.....	Chain shackle safety hitch pin
47.....(2).....	Cover arm chain
48.....(2).....	Cover disk support arm
49.....(4).....	3/8" x 3" Zinc grade 5 hex bolt
50.....(2).....	Press wheel tire (#50 -thru- #54)
51.....(2).....	Needle bearing
52.....(4).....	Bearing retainers
53.....(2).....	Hub cap
54.....(10).....	Cotter pin
55.....(2).....	Adjustable handle
56.....(4).....	Ell lock handle
57.....(2).....	Sliding adjustable bracket
58.....(2).....	Cotter pin
59L.....	Left side cover disk shank
59R.....	Right side cover disk shank
60.....(2).....	Dirt shield support arm
61.....(2).....	20" disk blade
61CL.....	Left side complete disk assembly
61CR.....	Right side complete disk assembly
62A.....(4).....	205KR3 bearing
62B.....(2).....	Spacer
63.....(2).....	Disk dirt scraper
63A.....(2).....	3/4" extension tooth lock washer
65.....(2).....	Hub mounting bracket
66.....(2).....	Dirt shield
66CL.....	Left side dirt shield complete
66CR.....	Right side dirt shield complete
67.....(2).....	3/4" x 4-1/2" Hub center bolt
68.....(12).....	3/8" x 1 1/2" button socket cap bolt
69.....(2).....	Dirt shield bracket
69A.....(2).....	Dirt shield flat plate bracket
70.....(8).....	3/8" x 1 1/4" bolt
71.....(2).....	6-bolt hub, complete
72.....(3).....	1/4" x 90° Grease Zert
72A.....(4).....	1/4" NFT 45 * Grease Zert
74.....(2).....	5/8" x 3 1/2" bolt
75.....	Right side bottom roller flex plate [flat bed]

# Model 2550 Raised Bed Layer

ITEM #	DESCRIPTION
75A.....	Left side bottom roller flex plate [flat bed]
75C.....(2).....	Bottom roller flex plate [crowned bed]
76.....(2).....	UHMW bushing, bottom roller
79B.....	Sensor vertical mounting bracket
79C.....	Complete Ro-trak sensor assembly #79B - 88B
80B.....	Box enclosure
81B.....	Ro-Trak sensor arm
82B.....	Sensor tracking wheels
83.....	1/2" x 4 1/4" bolt
83B.....	Sensor body frame
84B.....	Ro-trak sensor aluminum block bearing
85B.....	Ro-trak sensor aluminum block
86B.....	Ro-trak sensor magnet
87B.....	Sensor electric plug-in 4 -square
88B.....	Ro-Trak sensor proximity sensor switch
89.....(5).....	1/4" x 3/4" carriage head bolt
90.....	5/16" x 3/4" bolt
92L.....	Left side row marker
92R.....	Right side row marker
92CL.....	Left side complete row marker
92CR.....	Right side complete row marker
93.....(2).....	Row marker extension
94.....(2).....	Row marker spring
95.....(2).....	Row marker hinge pin
98.....(2).....	Mounting clamp
98CL.....	Left side complete chisel tooth assembly w/ shovel
98CR.....	Right side complete chisel tooth assembly w/ shovel
99.....(2).....	Shovel spring assembly
100.....(2).....	Shank
101L.....	Left side dirt spill plate
101R.....	Right side dirt spill plate
102.....(2).....	Shovel tooth
103.....(4).....	7/16" x 2" tooth shovel bolt
105.....(4).....	3/4" x 2" carriage bolt
108.....	Solenoid valve
108A.....	Aluminum manifold
109.....	Sensor wire to battery
110.....	Hose, pump pressure side
110A.....(2).....	Hydraulic pump ell
110B.....	Hydraulic block ell
111.....	Filter head
111A.....	Hyd filter head ell fitting, 1/2" M x 3/8" F
112.....	Hydraulic hose, filter to solenoid manifold
113.....	Hydraulic hose, pump intake side
114.....	1 1/4" x 6 1/2" bolt and locknut
114A.....	5/16" x 2 1/2" socket head cap bolt

# Model 2550 Raised Bed Layer

ITEM #	DESCRIPTION
115.....(2).....	Hydraulic tank mounting plate
116.....(4).....	3/8" x 4" bolt
117.....	Oil reservoir
117A.....	Fill cap
118.....	Drip line cross bar
118A.....	Bottom drip attachment complete
118D.....	Complete bottom drip attachment
120.....(2).....	1/2" x 1 1/2" hex bolt
121.....	Drip line down pipe
122.....	Sensor wire holder
123.....	Oil filter
125A.....	Hyd cylinder hose [manual ro-trak], Front hose
125B.....	Hyd cylinder hose [manual ro-trak], Back hose
126.....(2).....	Hydraulic elbow with flow orifice
127.....	Hydraulic cylinder
128.....	Steering bar
129.....	Hydraulic pump
129A.....	Ro-trak pump complete
130A.....	Pump support (plate number one)
130B.....	Pump support (plate number two)
131.....	Chain with snap
132.....	PTO coupling
133.....(3).....	3/8" x 1 1/2" bolt
134.....	Bot. drip bolted angle iron
135.....	Drip pipe holder bracket
136.....(4).....	Plow shears
136B.....(2).....	Back plow shears
136F.....(2).....	Front plow shears
137.....(9).....	3/8" x 1-1/4" plow bolt
145.....(2).....	7/16" hex nut
146.....(16).....	1/2" hex nut
147.....(10).....	1/4" nylon lock nut
148.....(3).....	3/8" nylon lock nut
149.....(2).....	1/2" nylon lock nut
150.....(2).....	3/8" Flange Nut
154.....(2).....	Caution label for roll holder
155.....(2).....	Rain-Flo oval logo label
157.....(2).....	Disc scraper caution label
158.....	Center of bed filler label on 'A' frame
159.....	Sway bar label on 'A' frame
160.....	Important notice label on seat
161.....(2).....	End view label for roll holder
162.....(4).....	More coverage label
163.....	Keep front of machine full of soil label
164.....	Top link instruction label
165.....	Use top hole for high lift label
167.....(2).....	Deeper trench label

# Model 2550 Raised Bed Layer

ITEM #	DESCRIPTION
168.....	Notice label on drip attach
168A.....	“Turn Drippers Up For Less Clogging” label
169.....	Direction arrow for drip attach
169A.....	Drip attach brake adjustment plate label
170.....	Shovel holder label
172L.....	Left side standing in back label for disk
172R.....	Right side standing in back label for disk
173L.....	Left side standing in back label for dirt shield
173R.....	Right side standing in back label for dirt shield
174.....(2).....	Bed width label
175.....(2).....	Feed plastic under roller label
177.....(2).....	Feed hoses through ‘A’ frame label
178.....	Oval ro-trak label
179.....	Oil level label
180.....	12 volt system label
181.....	Hydraulic oil label
183.....	Make sensor square label
184.....	Ro-trak chain caution label
185.....(2).....	This side up label
189.....	5/16” nylon lock nut
190.....(9).....	1/2” locking washer
191.....(2).....	5/8” locking washer
192.....(6).....	3/8” flat washer
193.....(6).....	1/2” flat washer
194.....(6).....	5/8” flat washer
195.....(3).....	5/16” flange nut
196.....(6).....	5/8” nylon lock nut
197.....(2).....	7/16” flat washer
198.....(2).....	7/16” locking washer
199.....	1-1/4” nylon lock nut
201.....(2).....	1/2” x 3-1/4” bolt
214.....	3/8” UHMW teflon (machine serial # needed)
214A.....	Complete kit side plates
215.....	Bed press plate [flat]
215A.....	Bed press complete without bottom roller
215 C.....	Bed press plate [crowned]
219A.....	Complete set 1/2” UHMW teflon side plate
219L.....	Left side 1/2” UHMW teflon side plate
219R.....	Right side 1/2” UHMW teflon side plate
220CL.....	Left side complete side plate with teflon
220CR.....	Right side complete side plates with teflon
220L.....	3/8” bed side press plate (machine serial # needed)
220R.....	3/8” bed press side plate (machine serial # needed)
222L.....	Trench opener
222R.....	Trench opener
234.....(4).....	Plastic mulch support roll
235.....(4).....	Roll holder rod

# Model 2550 Raised Bed Layer

ITEM #	DESCRIPTION
242CL.....	Left side press wheel complete
242CR.....	Right side press wheel complete
246.....(2).....	Press wheel chain
273.....(2).....	Bed height adjustable rod [flat bed]
273C.....(2).....	Bed height adjustable rod [crowned bed]
277.....	3" galvanized bottom roller [flat bed]
277A.....	Complete flat bed bottom roller kit
277B.....	Complete crowned bed bottom roller kit
277C.....	3" galvanized bottom roller [crowed bed]
277D.....	Raised bed crowned press pan conversion kit
278.....	Bottom roller mounting rod [flat bed]
278 C.....	Bottom roller mounting rod [crowned bed]
279.....	Sensor mounting support
279 A.....	Complete Ro-trak sensor assembly #279-91
287.....	Sensor electric plug-in
297L.....	Left side shovel mounting bracket
297R.....	Right side shovel mounting bracket
2-104.....	Scraper mold board
2-107.....	Rear sensor wire
2-108.....	Solenoid valve
2-108 K.....	Solenoid kit (includes wiring harness)
2-117 B.....	Complete ro-trak kit (manual to auto)
2-125.....(2).....	Hydraulic cylinder hose
2-142.....	Center filler set complete
2-143L.....	Left side top center filler bracket
2-143R.....	Right side top center filler bracket
2-144L.....	Left side center filler plow bracket
2-144R.....	Right side center filler plow bracket
2-151.....(2).....	Mold board label
2-152.....(2).....	Side label
2-153.....(2).....	Bed height label
2-154.....	Caution label for roll holder
2-155.....(2).....	Rain-Flo oval logo label
2-156.....	Plastic width label
309A.....(2).....	Safety pin
334.....	3/4" sae flat washer
375.....(2).....	Cylinder pin
418.....(2).....	5/8" x 1 1/2" sq. head set screw
422.....(6).....	3/4" hex nut
423.....(2).....	3/4" locking washer
427.....(19).....	3/8" hex nut
428.....(19).....	3/8" locking washer
433.....(6).....	5/8" hex nut
773.....	1/2" x 4" x 3-1/16" Center filler 'U' bolt

# Helpful Tips

- \* Adjust 3-point top link on tractor to level machine.
- \* Periodically check for shallow spots in bed; hollow bed will effect planting and hinder plant growth.
- \* We recommend two or more people when laying plastic mulch to maintain proper machine adjustment.
- \* A sizable tractor is needed for stability and lifting power. Minimum tractor size for Model 2550 is 60 HP.
- \* This machine can also be used for a bedder only, (without laying plastic). The rear cover disks and tires can be removed for this application.
- \* Avoid over steering; rear cover disk will move far and cut into plastic. Careful steering will also provide more uniform coverage.
- \* Stretching plastic in length and side to side will help plastic from blowing off.
- \* Check drip tape down pipe for wearing to avoid damaging drip tape from sharp edges.

# Warranty

All Rain-Flo mulch layers have a two year warranty against defects in material and workmanship.

If any part is found defective, return the defective part with serial No. of the machine. If Rain-Flo finds it defective, it will be replaced or repaired at no charge.

Call Customer Service at (717) 445-3000 Fax (717) 445-8304

# TROUBLESHOOTING

---

1. PROBLEM Machine tends to drift sideways causing press wheels to come off the plastic.

SOLUTION

- \* Pull less soil. Pull just enough to fill the bed firm.
- \* Adjust 3-point top link.
- \* If your machine has manual Ro-Trak, make sure the sway bar is in place.
- \* On Auto Ro-Trak machines, make sure Ro-Trak is functioning properly.
- \* or, tractor may be too small.

2. PROBLEM Cover disk not getting enough soil to cover plastic

SOLUTION

- \* Tilt disk back to dig in more (page 11).
- \* Set chisel shovels in line (page 12).
- \* Bed press side plates not set correctly for bed height (page 6 & 7).

3. PROBLEM Plastic not staying under press wheel.

SOLUTION \* Tension too tight on plastic roll carrier.

4. PROBLEM Ro-Trak not functioning.

SOLUTION \* Follow Ro-Trak information, page 13 and 14.

5. PROBLEM Not firm beds and shallow spots in center.

SOLUTION

- \* Add weight on bed press.
- \* Tractor's 3-point not low enough or draft control lifting up.
- \* Soil not tilled deep enough.

Install optional center filler on mulch layer.

**~2015 Edition~**

**Rain-Flo Irrigation**  
**(717) 445-3000**