
MODEL 2400
RAISED BED PLASTIC MULCH LAYER

ASSEMBLY
INSTRUCTIONS

Rain-Flo Irrigation

929 Reading Road

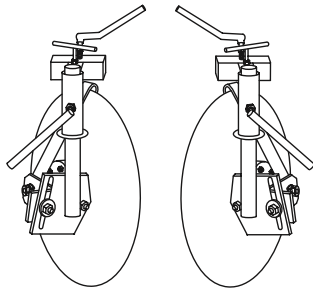
East Earl, Pa 17519

PH: 717-445-3000

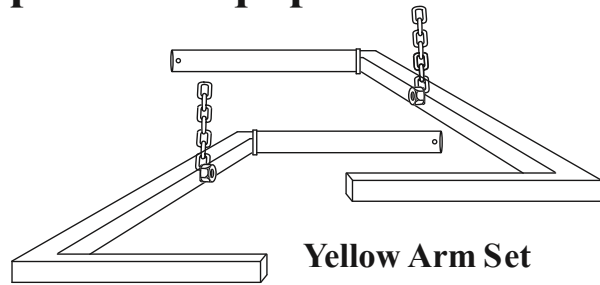
STEP 1



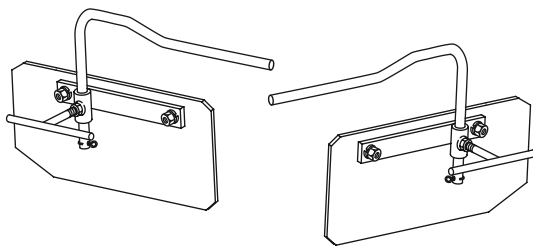
Standard parts shipped with equipment:



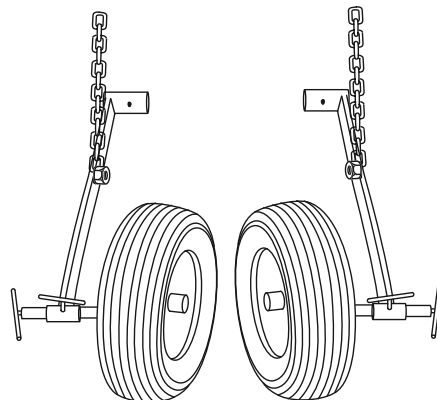
Cover Disk Set



Yellow Arm Set



Dirt Shield Set

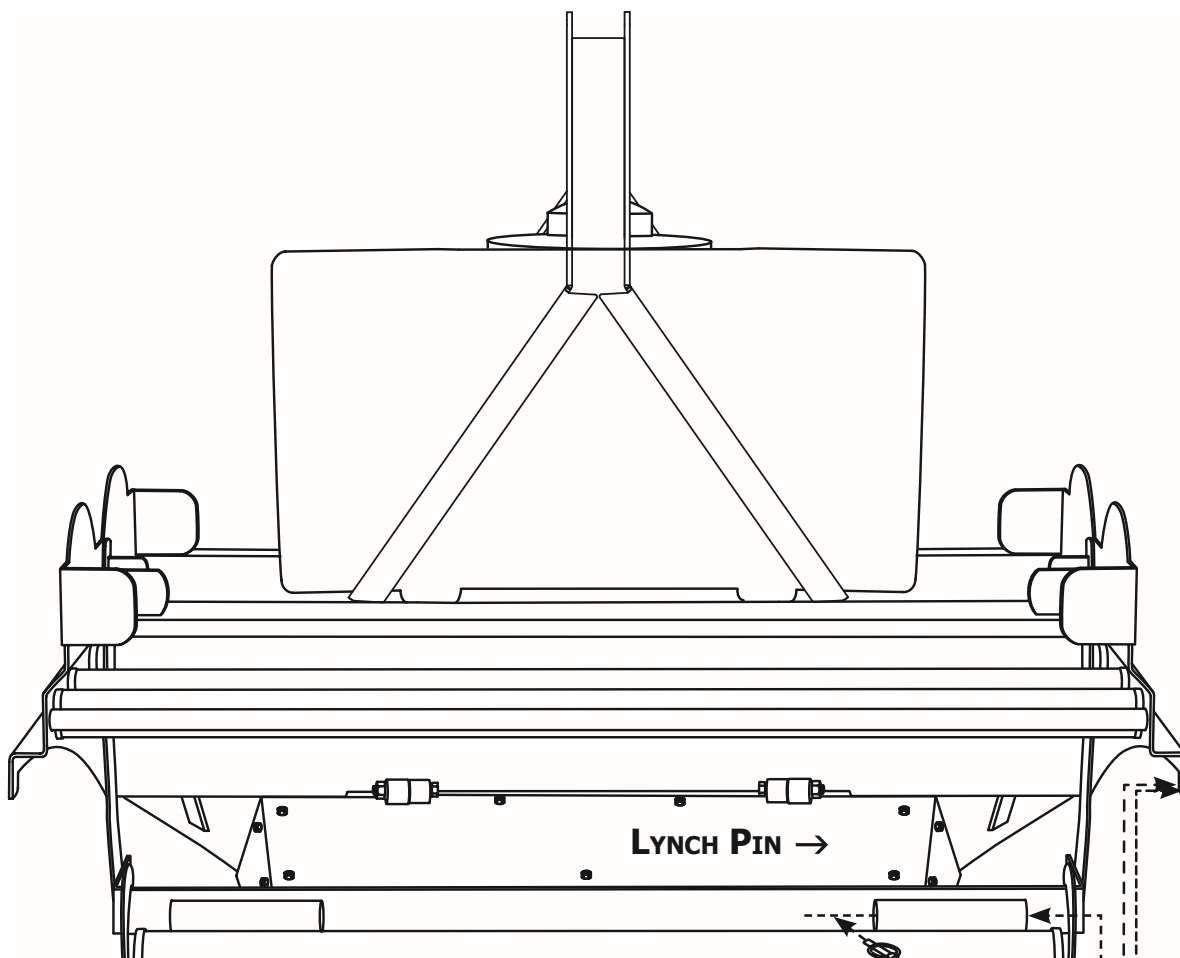


Press Wheel Set

STEP 2

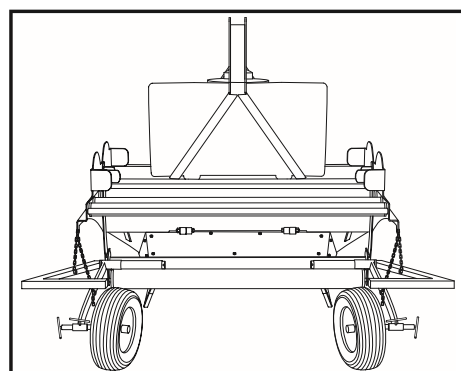
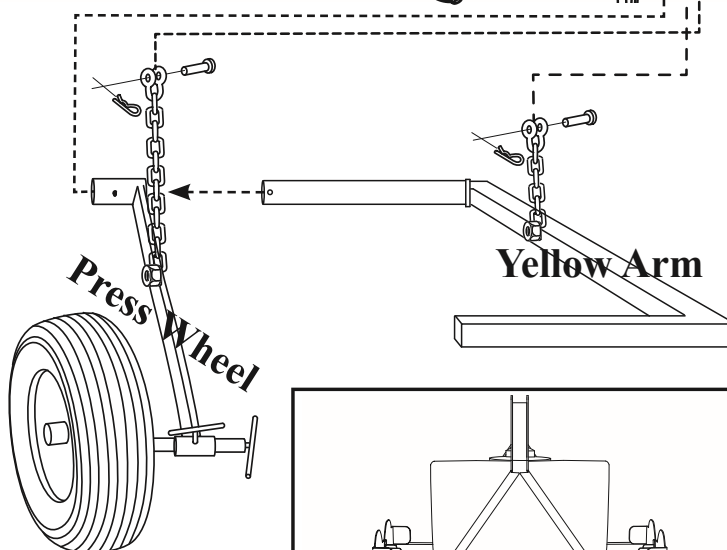
YELLOW ARMS & PRESS WHEELS

See Operating Manual for adjustments.



Remove lynch pin from hole on yellow arm and slide yellow arm through press wheel and into hinge on bed press. Fasten in place with lynch pin.

Secure chains to holes as shown. The chain on the yellow arm belongs in the front hole (toward the tractor) and the chain on the press wheel belongs in back hole.

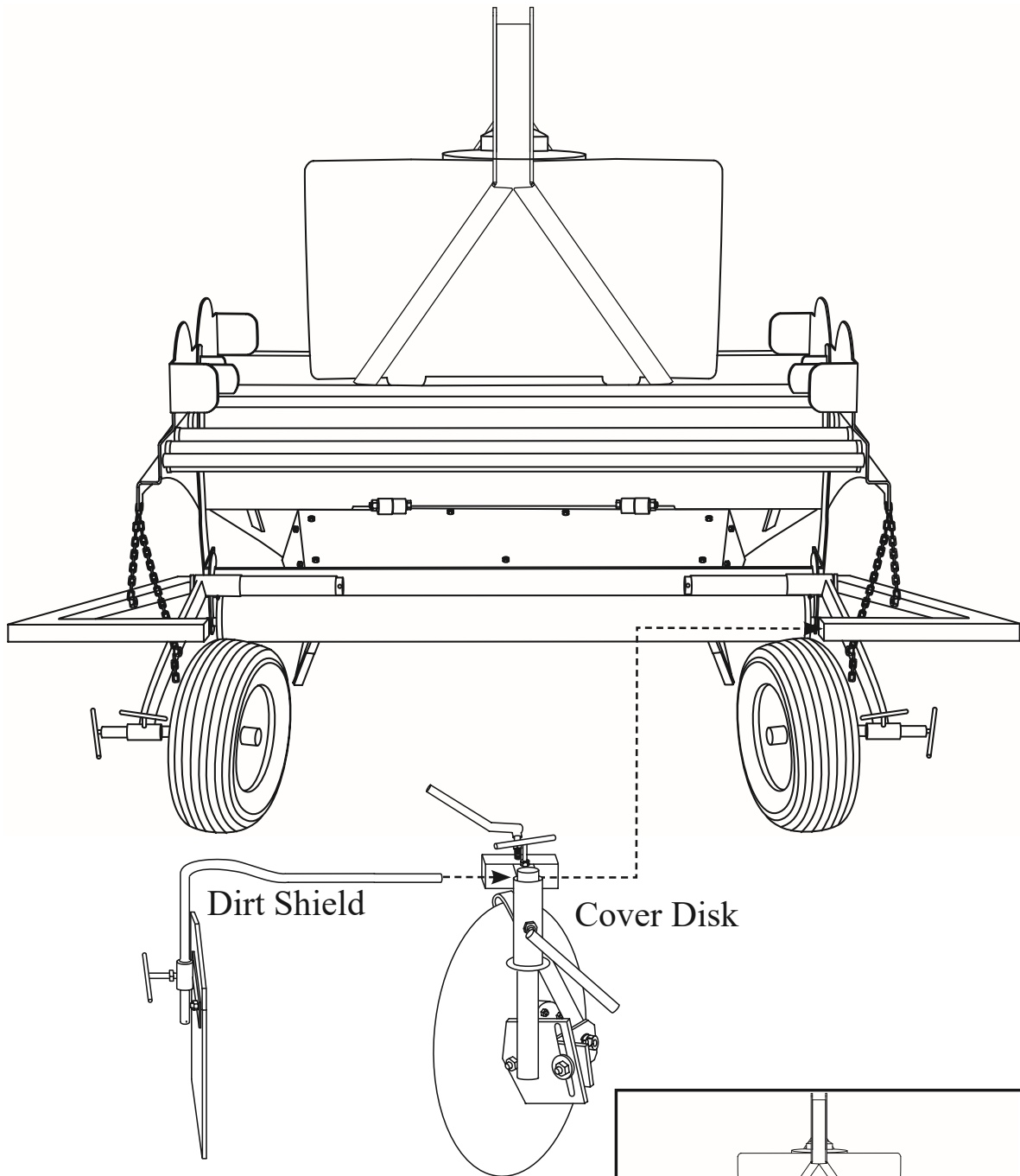


2

STEP 3

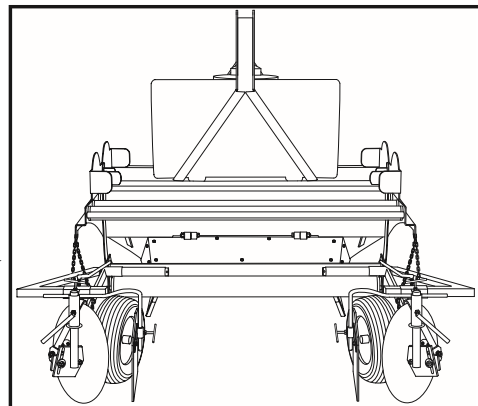
DISKS AND DIRT SHIELDS

See Operating Manual for adjustments.



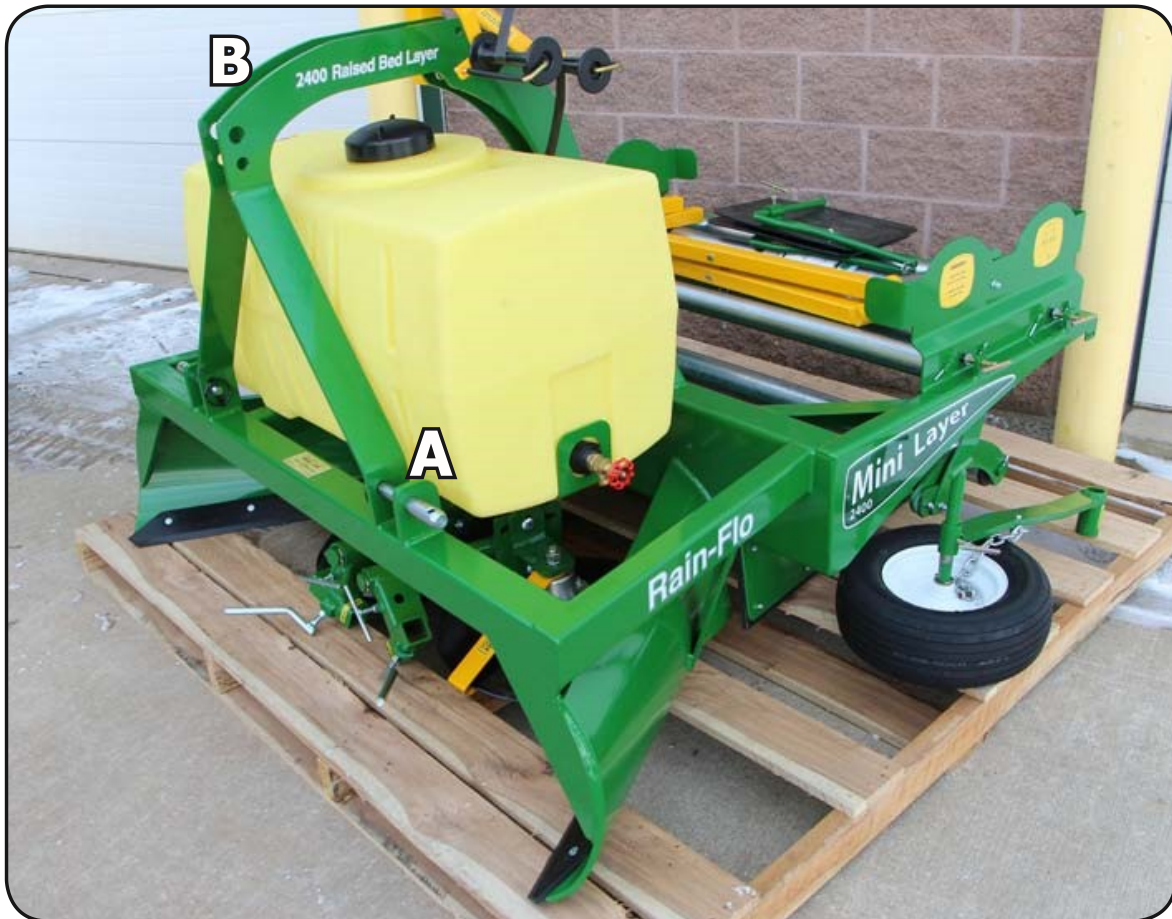
Slide disk bracket over end of yellow bar and tighten in place with ell lock handle. Install dirt shield as shown, by sliding end through hole and fastening with tee lock handle.

3



STEP 4

TRACTOR HOOK-UP

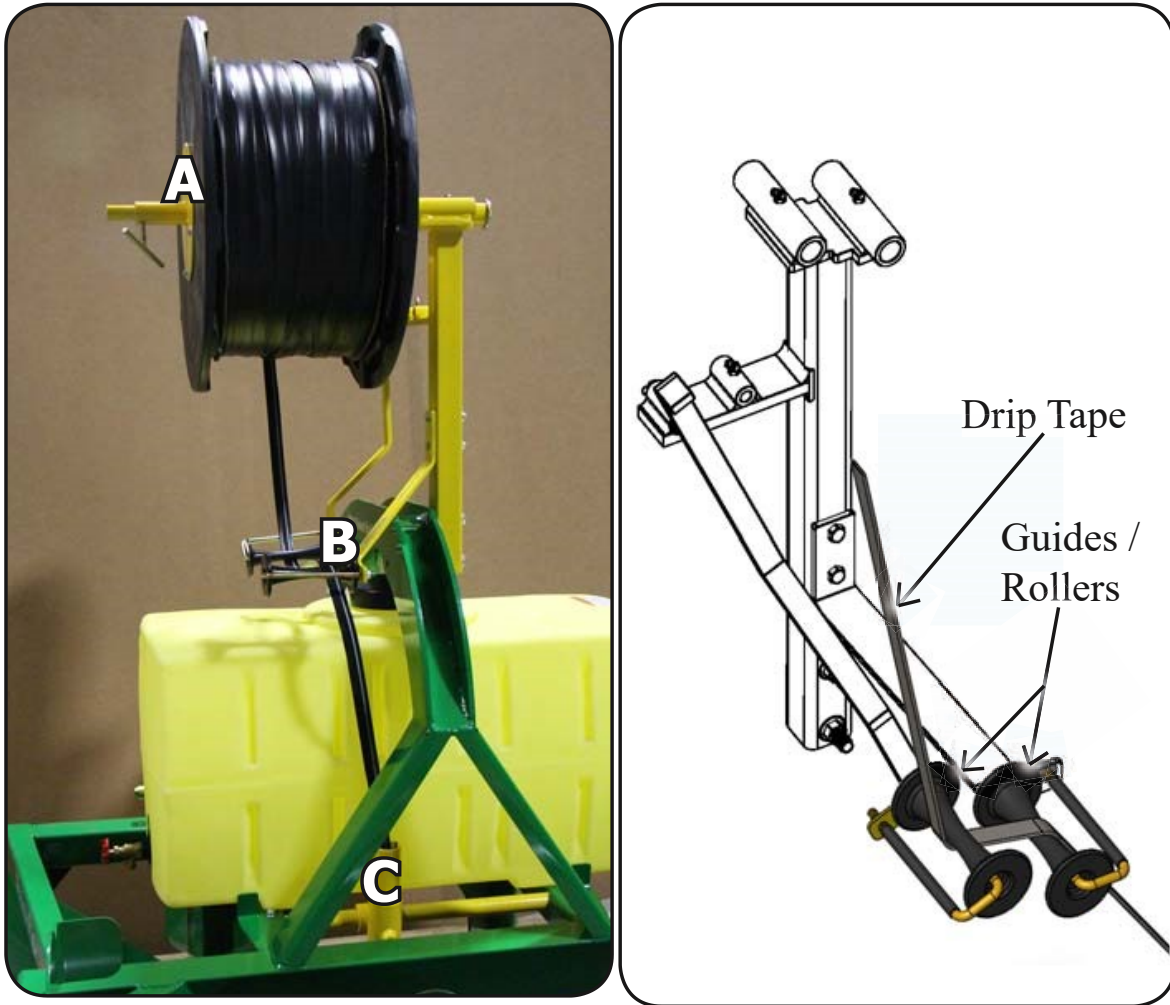


The Model 2400 has category I and II lift pins (A) on a 3-point hitch. Hook up 3-point top link to top of A-frame (B) and adjust top link to level machine. Use top hole for higher lift.

STEP 5

INSTALLING DRIP TAPE

See Operating Manual for adjustments.



Remove plate with locking clamp(A). Slide drip roll onto rod, press plate(A) tight against roll and tighten tee-handle on clamp. Feed drip tape through swing arm guide and stationary guide(B) (also see sketch) then into drip line down pipe(C).

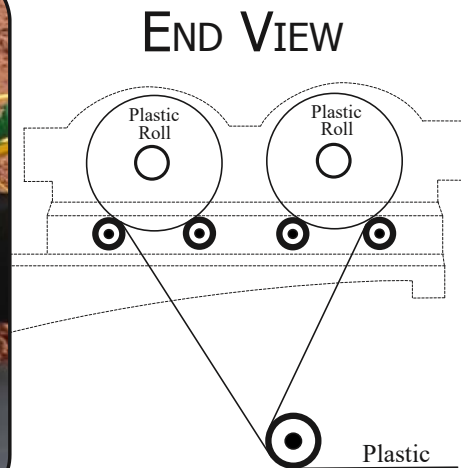
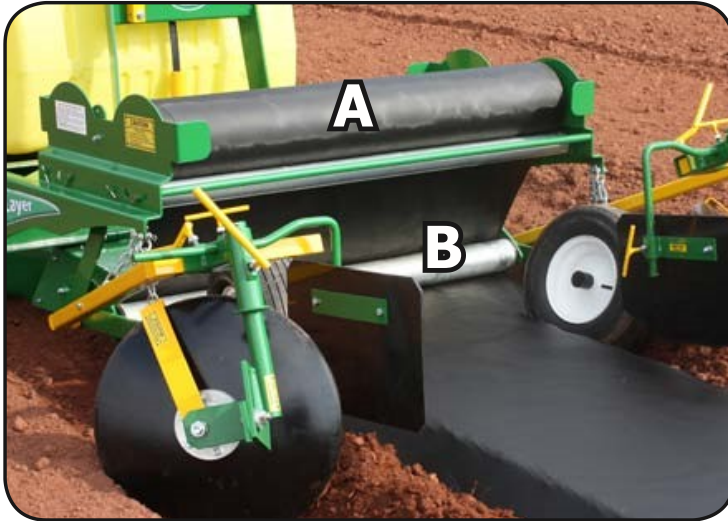
Note; Turn drip emitters up toward plastic for less clogging, and make sure drip roll is compressed firmly between plates for positive braking effect.

STEP 6

INSTALLING PLASTIC

See Operating Manual for adjustments.

Place plastic rolls on top of rollers(A). Pull end of plastic down in between rollers and underneath bottom roller(B). Secure plastic and drip tape at end of row. Only feed from one roll at a time.



WATER TANK



The Mini Layer has a 50 gallon water tank for weight to make a firm bed. Add as much water (weight) as possible without exceeding the tractor's lifting capacity. The 3-point top link can be lengthened if pulling too much soil.

~2015 Edition~



Rain-Flo Irrigation
(717) 445-3000