
MODEL 1200
WATER WHEEL TRANSPLANTER

OPERATING
MANUAL

Rain-Flo Irrigation

929 Reading Road
East Earl, Pa 17519
PH: 717-445-3000

Table Of Contents

Axle, Tire.....	3
Features	13
Foot Rest.....	4
Helpful Tips.....	14
Options	13
Parts Breakdown, Description	10-12
Parts Breakdown, Exploded Views.....	6-9
Planter Seat.....	4
Planting Wheel	3
Safety First	2
Super wheel.....	5
Trailer Combination	4
Trouble Shooting	14
Warranty	13
Water Flow	3

!! Safety First !!

- ⚠ No riders beyond the speed of 3 MPH. Be sure you read and understand all the precautions.
- ⚠ Keep people away when lifting and lowering the machine.
- ⚠ Be careful when turning around; machine is 8' long.
- ⚠ Do not crawl under the machine while it is lifted.
- ⚠ Do not adjust the machine when it is moving.
- ⚠ Do not stand on the machine.
- ⚠ Do not sit on machine except on designated seat.
- ⚠ Do not add chemicals to water tank unless planters wear hand protection.
- ⚠ Planter operators must keep their feet on foot rest when planting.
- ⚠ Tractor operator is responsible for extra worker(s) around machine.
- ⚠ Rain-Flo is not responsible for accidents if any should occur.

PLANTING WHEEL ADJUSTMENTS



(S.S. Axle Shaft) To mount planting wheels and plumbing.

(Collars-2) To hold position of plumbing valves.

(Plumbing Valves) To adjust water flow.

(Water Shut-Off Handle) To shut off water supply.

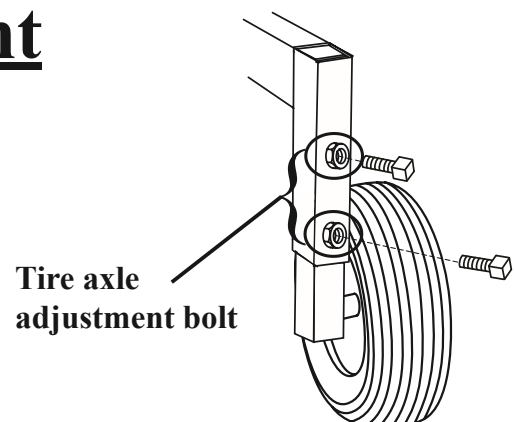
One or two planting wheels can be used at a time. When using only one wheel, slide plumbing to one side of wheel or when using two wheels put plumbing in center. Planting wheels are set in position with two bolts in center of wheel and can be moved sideways on the axle shaft.

Planting wheels will flex up and down over uneven terrain.

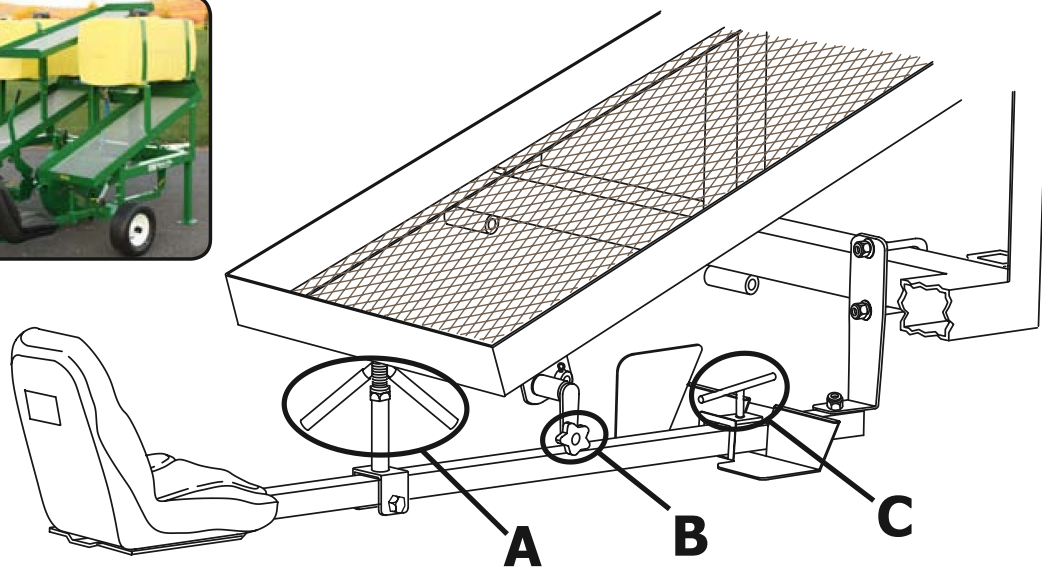
Caution; Make sure planting wheels are not puncturing drip tape underneath plastic.

Tire Axle Adjustment

Tire axles need to be adjusted for high beds. If more leg room is desired, shorten top link and lower axles.



SEAT ADJUSTMENTS

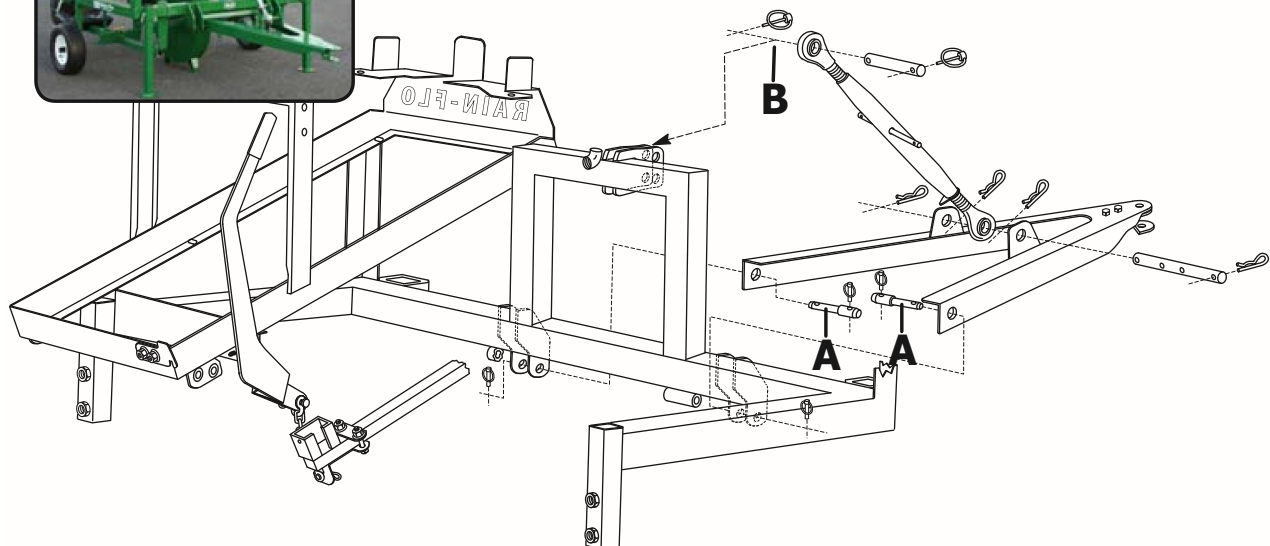


To adjust seat height, turn handles(A) till seat is in correct position. Turn handle(B) to adjust seat left-to-right position for planting comfort. To adjust foot rest, loosen handle (C) and slide foot rest to desired place.

OPTIONAL TRAILER COMBINATION



Note; This can be added to the Model 1200 anytime.

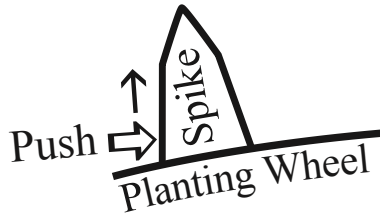


- (1) Reverse lift pins so that Cat II is on inside (A).
- (2) Install draw bar hitch by sliding onto the lifting pins (A).
- (3) Install lynch pins on the inside of Cat II lifting pin (A).
- (4) Unsnap lynch pins, remove top link pin, and install as shown above (B).

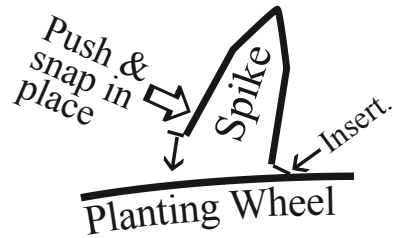
OPTIONAL SUPER WHEEL

The super wheel is a very universal planting wheel. Spike size and spacing can be changed as preferred. A rubber grommet is used to close unused holes.

Removing Spike

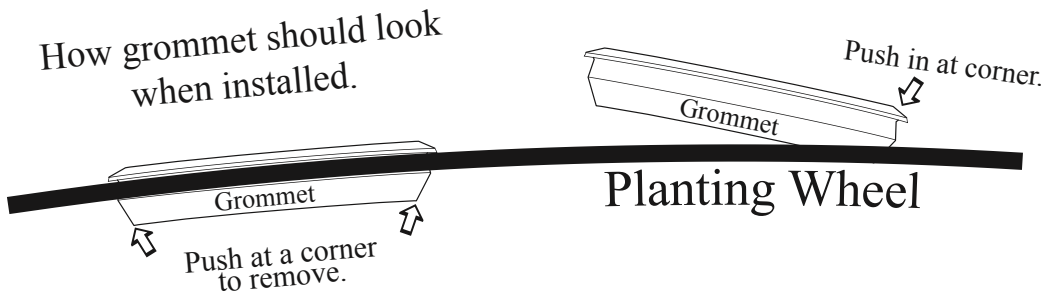


Installing Spike

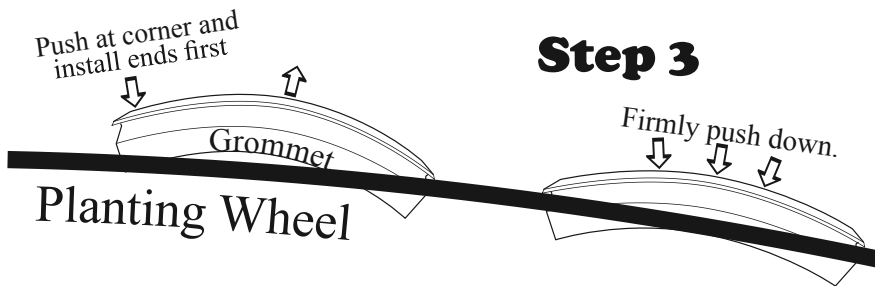


How to install the grommet

Step 1



Step 2



Step 3

Firmly push down.

How to install the lock pin

Note; lock pin is used in heavy or rocky soil conditions to avoid spike detaching.

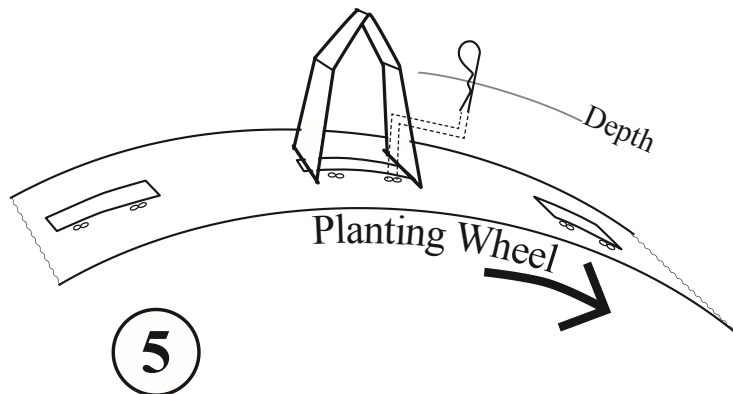
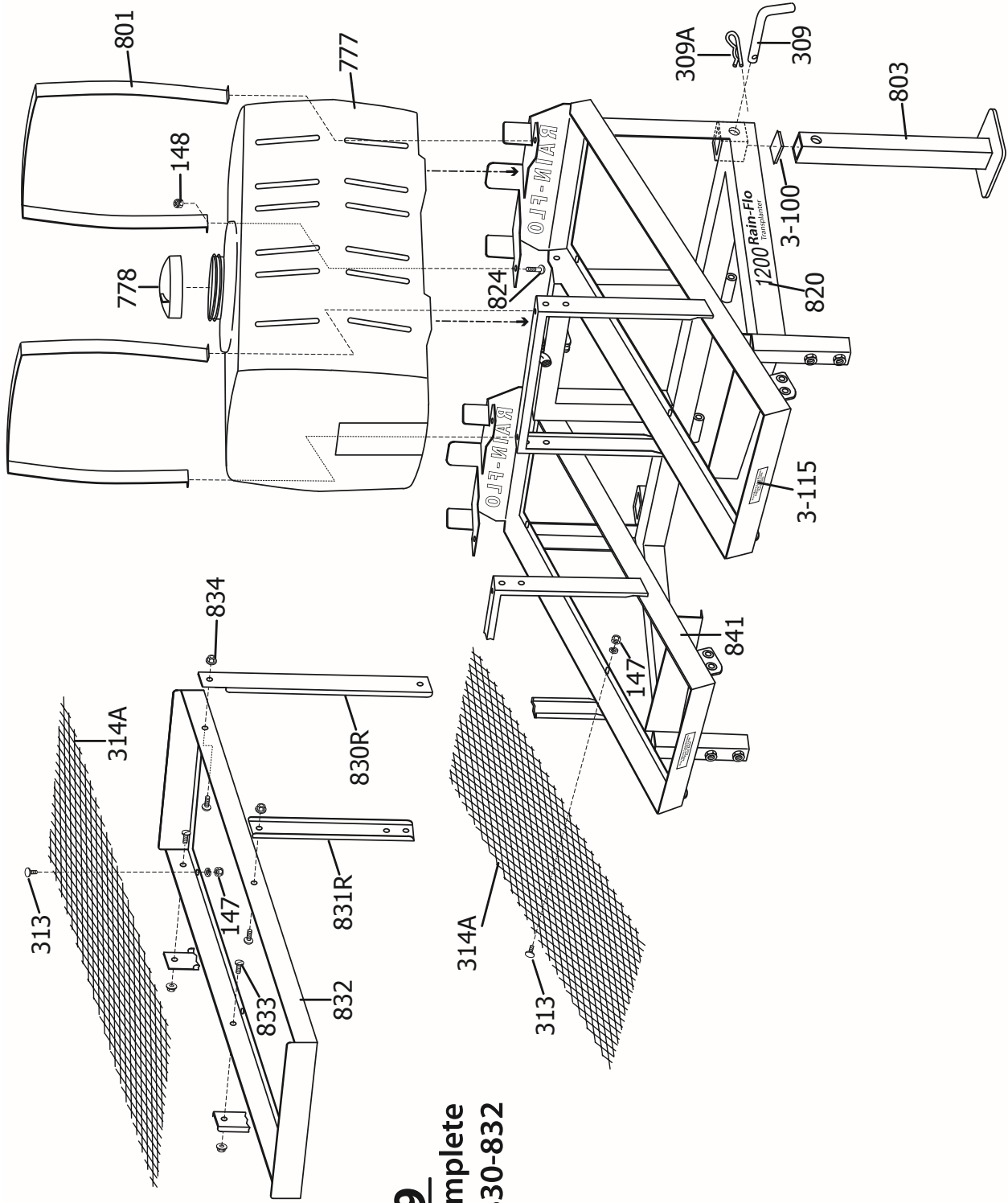
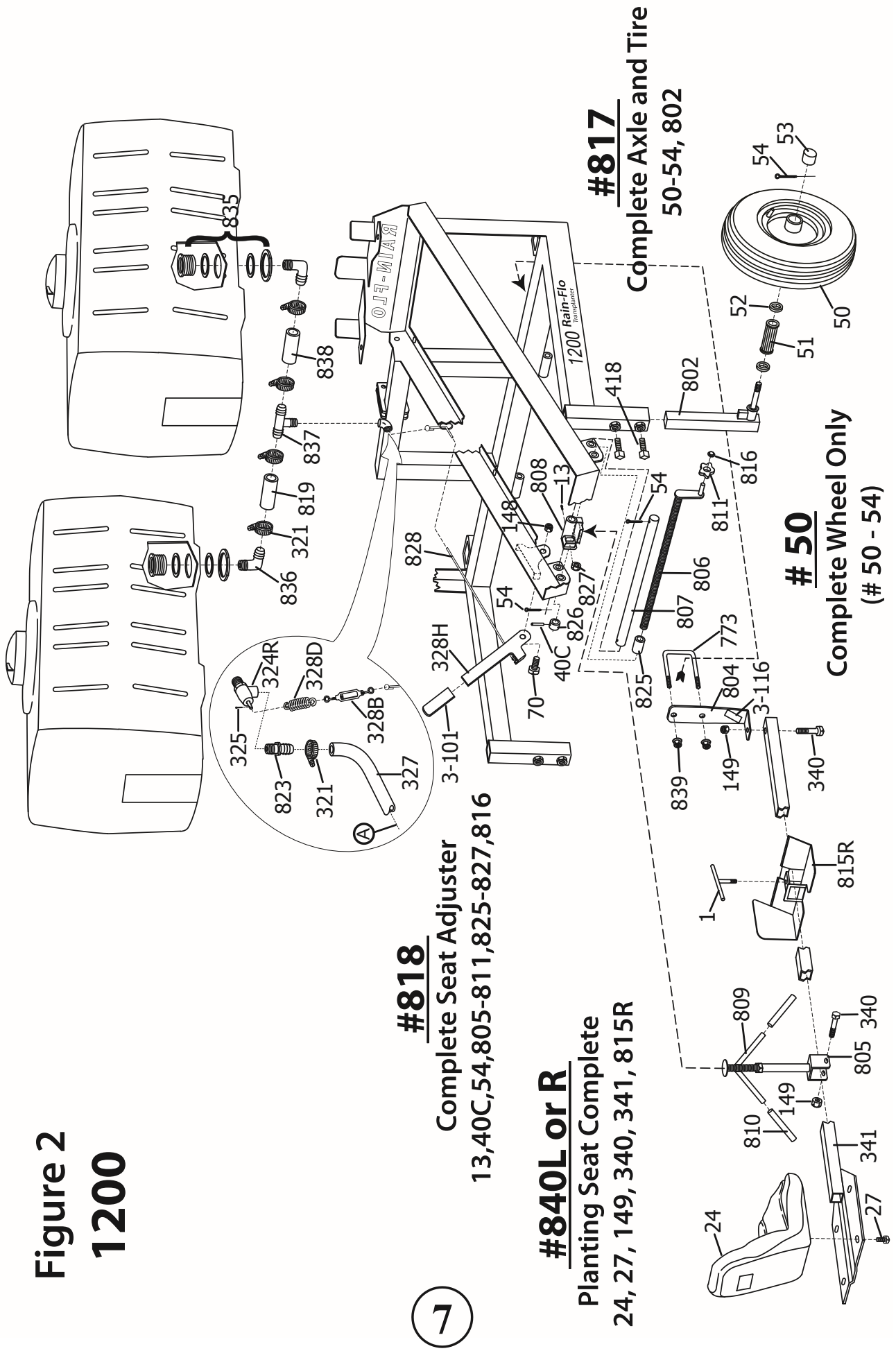


Figure 1
1200



#829
Top Tray Complete
313, 314A, 830-832

Figure 2
1200



#818

Complete Seat Adjuster
13,40C,54,805-811,825-827,816

#840L or R

Planting Seat Complete
24, 27, 149, 340, 341, 815R

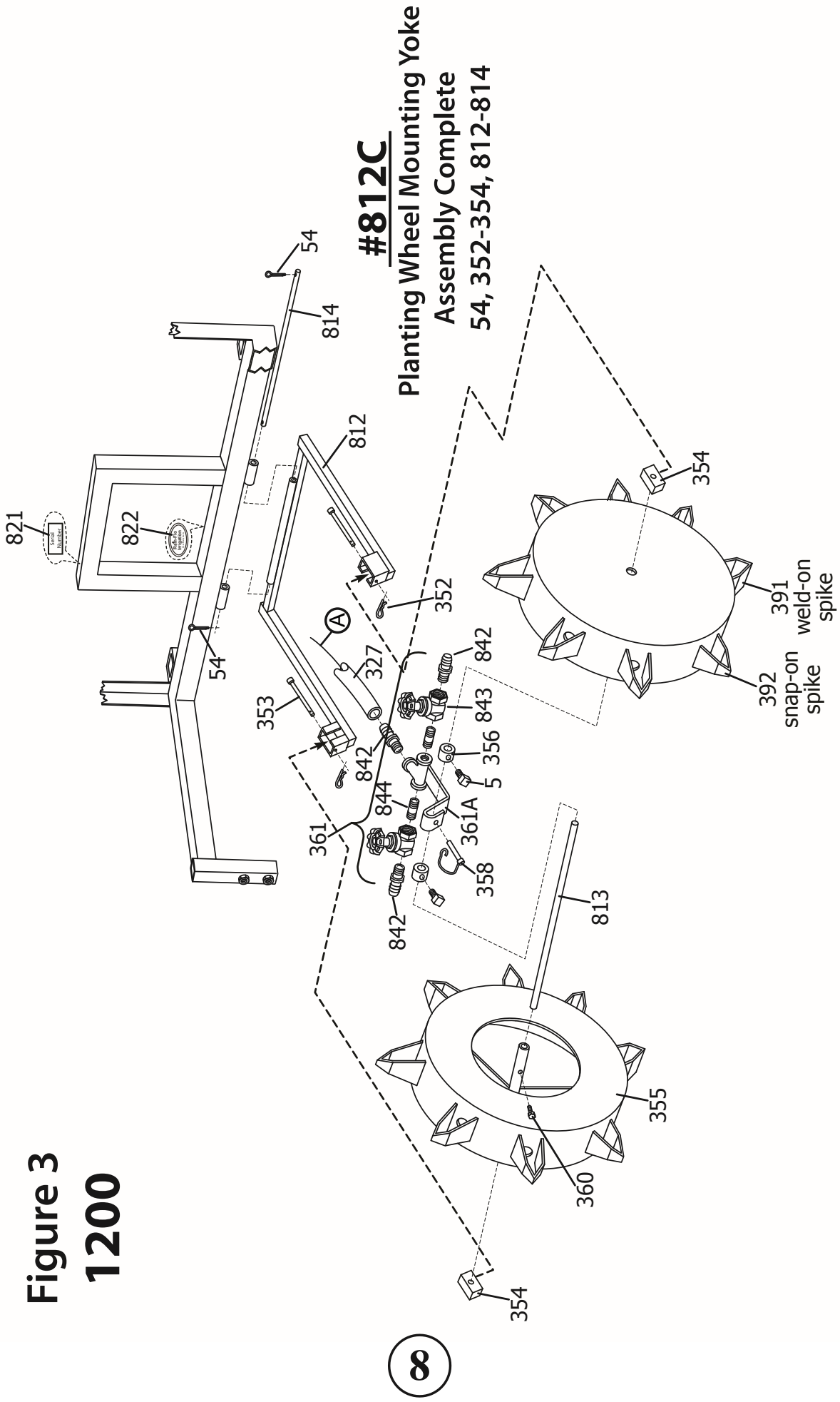
#817

Complete Axle and Tire
50-54, 802

#50

Complete Wheel Only
(# 50 - 54)

Figure 3
1200

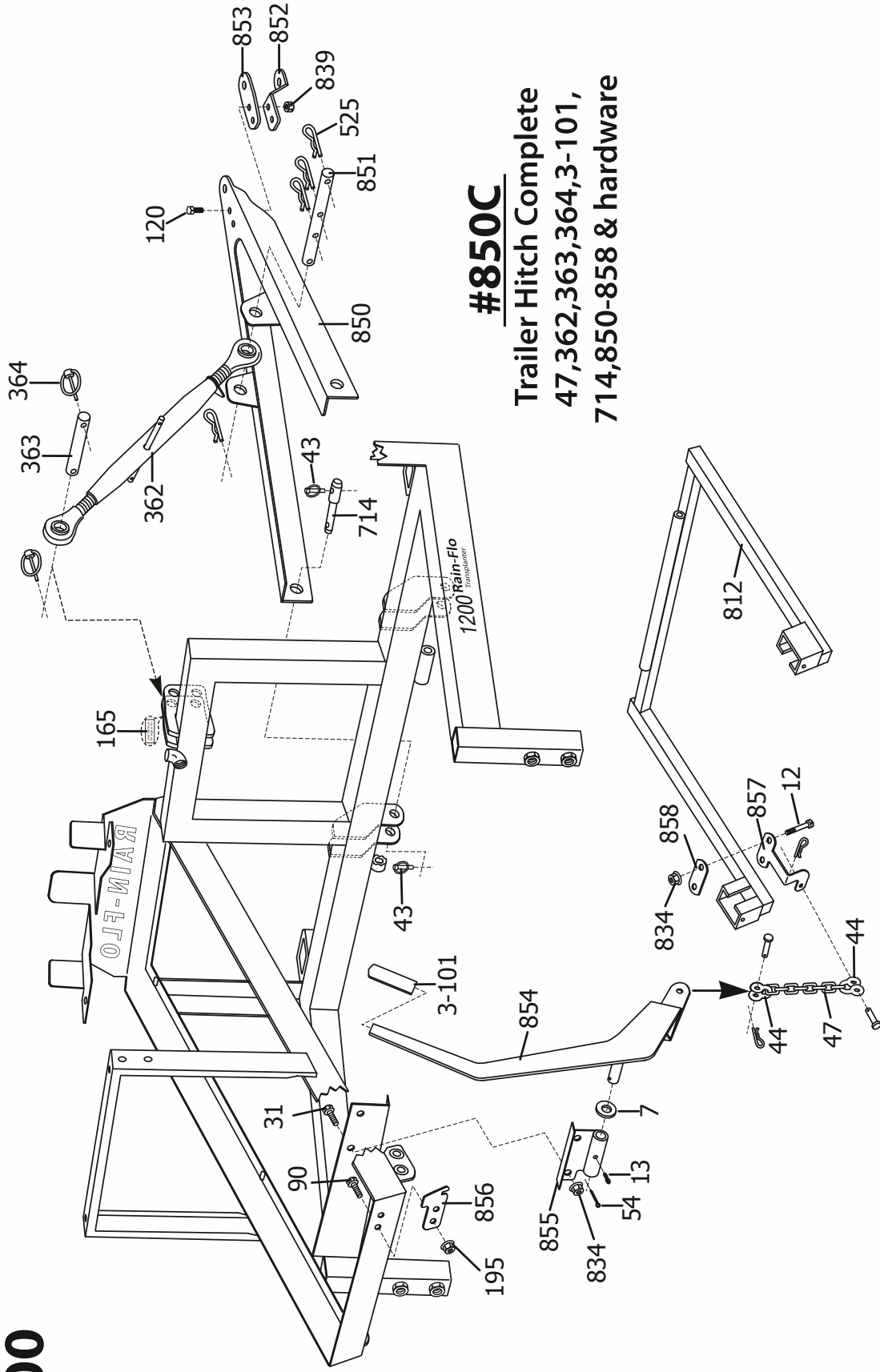


#812C

**Planting Wheel Mounting Yoke
Assembly Complete**
54, 352-354, 812-814

Figure 4

1200



#850C
Trailer Hitch Complete
47,362,363,364,3-101,
714,850-858 & hardware

Model 1200 Transplanter

ITEM #	DESCRIPTION
1..... (2)	Tee handle
5..... (2)	3/8" x 3/4" sq. head lock bolt
7..... (3)	1" SAE washer
12..... (2)	3/8" x 2 1/2" bolt
13..... (3)	1/4" NFT straight grease zert
24..... (2)	Cushion seat
27..... (8)	5/16" x 1/2" seat bolt
31..... (2)	3/8" x 1" hex bolt
40C..... (2)	1/4" x 1" roll pin
43..... (4)	Lynch Pin HD 7/16"
44..... (2)	Chain shackle complete
47.....	8 Link chain
50..... (2)	Press wheel tire complete 16 x 6.50
51..... (2)	Needle bearing 1" x 3" Long
52..... (4)	Bearing retainers
53..... (2)	Hub cap
54..... (2)	1/8" cotter pin
70.....	3/8" x 1 1/4" bolt
90..... (2)	5/16" x 3/4" hex bolt
120..... (2)	1/2" x 1 1/2" hex bolt
147..... (18)	1/4" nylon lock nut
148..... (5)	3/8" nylon lock nut
149..... (4)	1/2" nylon lock nut
165..... (2)	"Use Top Hole For Higher Lift" Label
195..... (2)	5/16" flange nut
309..... (2)	1/2" quick pin
309A..... (2)	Removable safety pin for 1/2" diameter pin
313..... (18)	1/4" x 3/4" elevator bolt
314A..... (3)	Bottom expanded metal
321..... (5)	1" hose clamps
324R.....	1" planter valve, [New style for cable pull]
325.....	1/16" x 3/4" cotter pin
327.....	1" x 34" Hose extension
328B.....	Cable adjustment turn buckle
328D.....	Valves pring
328H.....	Water shut-off handle
340..... (4)	1/2" x 3 1/2" bolt
341..... (2)	Seat mounting bar
352..... (2)	Bushing locking pin
353..... (2)	Safety pin
354..... (2)	UHMW block bushing

Model 1200 Transplanter

ITEM #	DESCRIPTION
355.....	Planting wheel (specify spacing & spike)
356..... (2)	Plumbing collar
358.....	Snap pin
360.....	3/8" x 1" sq. head lock bolt
361.....	Two valve plumbing assembly
361A.....	Two valve plumbing tee adapter only
362.....	Top link
363.....	Top link pin
364..... (2)	Lynch pin 1/4"
391.....	Weld-on wheel spikes (specify size)
392.....	Snap-on wheel spikes (specify size)
418..... (4)	5/8" x 1 1/2" set screw
525..... (4)	Safety pin
714..... (2)	Category I and II Lift pin
773..... (2)	1/2" x 4" x 3-1/16" Center filler 'U' bolt
777..... (2)	50 gallon water tank
778..... (2)	Tank cap only
801..... (2)	Tank bands
802..... (2)	Tire axle
803..... (2)	Support stand
804..... (2)	Seat bolt-on front bracket
805..... (2)	Seat adjuster bottom tube assembly
806..... (2)	Threaded rod with hand crank
807..... (2)	Seat adjustment 1" rod
808..... (2)	Seat adjustment hanger
809..... (2)	Seat adjuster upright threaded rod
810..... (4)	Seat adjuster handle rubber grip
811..... (2)	Seat adjuster side knob
812.....	Water wheel yoke
812C.....	Wheel mounting yoke assembly complete
813.....	Water wheel yoke; SS shaft
814.....	Water wheel yoke hinge pin
815L or R	Seat foot rest with 'T' handle adjust
816..... (2)	Seat adjuster side knob cap
817..... (2)	Complete axle with tire
818..... (2)	Complete seat adjuster
819.....	1" Hose Extension
820..... (2)	Model 1200 side decal
821.....	Model 1200 serial number label
822.....	Rain-Flo small oval logo
823.....	1" Insert Male Adapter

Model 1200 Transplanter

ITEM #	DESCRIPTION
824..... (4)	3/8" x 1 3/4" Carriage Bolt
825..... (2)	Seat adjuster threaded rod spacer
826..... (2)	Adjuster threaded rod collar w/roll pin
827..... (2)	3/4" x 6" Acme thread nut
828.....	Model 1200 water shut-off cable
829.....	Model 1200 top tray complete
830L or R	Top tray long bracket
831L or R	Top tray short bracket
832.....	Top tray frame only
833..... (4)	3/8" x 3/4" slotted pan head bolt
834..... (8)	3/8" Flange nut
835..... (2)	1 " Tank Adapter
836..... (2)	PVC insert barb x male thread 90 ell
837.....	1" ins x ins x male thread tee
838.....	1" hose extension
839..... (6)	1/2" flange nut
840L or R	Planting seat complete
841.....	Model 1200 transplanter frame only
842..... (3)	3/4" male adpter MPT x Insert
843..... (2)	3/4" brass gate valve
844..... (2)	3/4" short nipple
850.....	Trailer tongue
850C.....	Trailer hitch complete
851.....	Trailer planter tongue pin
852.....	Trailer tongue bottom drawbar plate
853.....	Trailer tongue drawbar top flat plate
854.....	Trailer fork lift handle
855.....	Trailer lift handle mounting bracket
856.....	Trailer handle lift lock in up position
857.....	Model 1200 trailer fork bracket
858.....	Model 1200 trailer fork bracket flat plate
3-100 (2)	Planter stand rubber cap
3-101 (2)	Planter water shut off handle rubber grip
3-115 (2)	"For More Leg Room" Label
3-116 (2)	"Bolt Seat Tubing On" Label

Features

- Capability of 8” to 24” row spacing and one or two planting wheels. (Standard)
- Two slant galvanized expanded metal trays.
- Specialty designed tanks so tractor operator can see people planting. Easier to communicate.
- Two 50 gallon tanks. (Total 100 gallons)
- Quick change water wheel setup.
- Easy seat adjustment on the go for comfort.
- Easy foot rest adjustment.
- Will plant minimum 62” row centers.
- Quality powder coated baked-on paint.

Options

- * Optional super wheel (see page 5).
- * Optional top tray.
- * Optional trailer\3-point combination

Warranty

All Rain-Flo Water Wheel Transplanters have a two year warranty against defects in material and workmanship.

If any part found defective, return the defective part with Serial No. of the machine. If Rain-Flo finds it defective, it will be replaced or repaired at no charge.

Call Customer Service at (717) 445-3000. Fax (717) 445-8304

Helpful Tips

For better crop stand, planting operators should firmly press plants into water-filled hole. If plenty of water is used, potted plants will be sealed and do not need to be covered with soil.

When using starter fertilizer, it needs to be agitated. Fertilizer is heavier than water and will settle to the bottom of the tank, resulting in possibly burning or killing the first couple hundred plants.

For faster planting, operators may put one tray of plants on their lap.

If soil does not paste on planting wheel, this machine can also be used on bare soil.

TROUBLESHOOTING

- 1. PROBLEM:** Planter is used on bare soil, and soil tends to paste onto planting wheel.

SOLUTION: * Soil is too wet or wheel needs to be cleaned or repainted.
* Stretch a tire intertube over the wheel, leaving some slack between the spikes.
- 2. PROBLEM:** Not enough leg room.

SOLUTION: * Adjust foot rest. See page 4.
* Adjust top link and axle. See page 3.
- 3. PROBLEM:** Tractor can't lift planter.

SOLUTION: * Optional trailer hitch available or use less water in tanks.

~2015 Edition~

Rain-Flo Irrigation
(717) 445-3000