


IDROFOGLIA®

G5S 110-450

4.3" OD x 1476 ft

Komet Twin 140 Ultra
130-300 GPM



 Product Page

FEATURES:

- 1476 ft – Impact resistant MPDE hose
- Galvanized Frame
- 3-wheel sprinkler cart with adjustable track
- High efficiency turbine drive
- 4-Speed gearbox
- Automatic retraction stop
- Auxiliary PTO powered retraction system
- Automatic retraction speed compensation
- Komet Twin 140 Ultra sprinkler
- 360 Degree rotating turn table
- Hydraulic stabilizer legs and sprinkler cart
- Chain driven hose guide
- Optional IdroMop Computer control



*Optional Computer Control

WaterTec

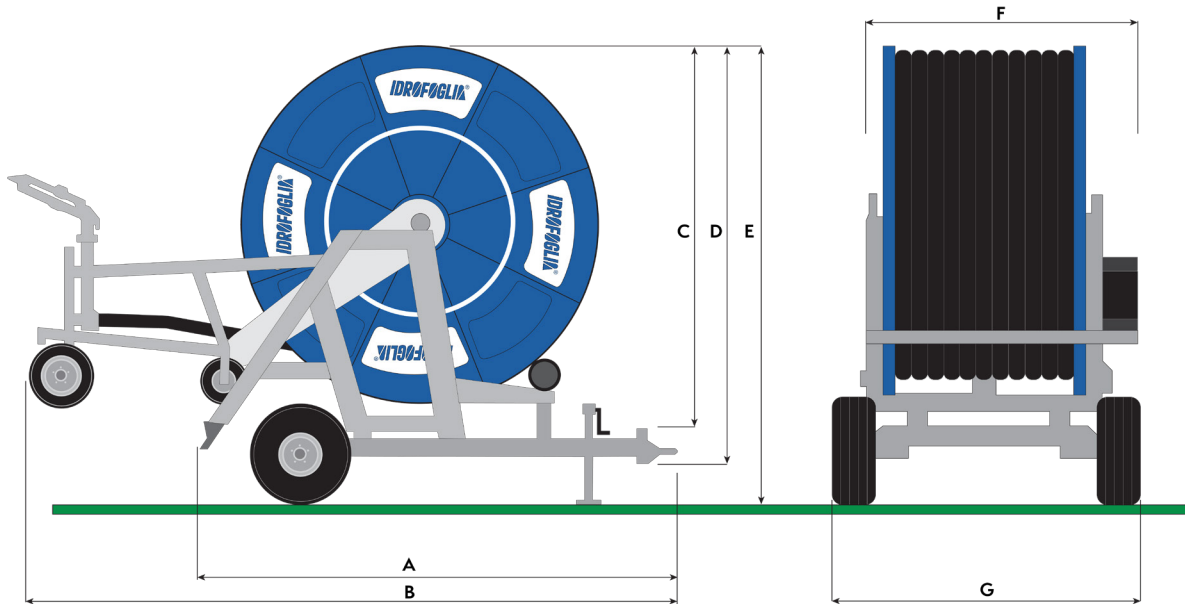
watertecna.com



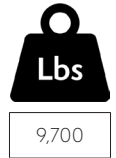
877-591-4790



888-695-7999



A	13.4'
B	19.6'
C	9.3'
D	10.2'
E	11.4'
F	7.3'
G	7.9'



Nozzle Size	Inlet	Sprinkler	Flow	Radius	Diameter	Spacing (8.5%)	Speed (feet/hour)													
							16	33	49	66	82	98	131	164	197	230	262	295	328	
							Rewind Time (hours)													
							27.4	13.7	9.1	6.9	5.5	4.6	3.4	2.7	2.3	2.0	1.7	1.5	1.4	
mm/in	PSI	PSI	GPM	Feet	Feet	Feet	Precipitation rate in inches													
24 0.94	69	44	164	128	256	218	4.44	2.22	1.48	1.11	0.89	0.74	0.56	0.44	0.37	0.32	0.28	0.25	0.22	
	88	59	190	144	289	245	4.55	2.28	1.52	1.14	0.91	0.76	0.57	0.46	0.38	0.33	0.28	0.25	0.23	
	109	74	213	157	315	268	4.67	2.33	1.56	1.17	0.93	0.78	0.58	0.47	0.39	0.33	0.29	0.26	0.23	
26 1.02	75	44	193	135	269	229	4.96	2.48	1.65	1.24	0.99	0.83	0.62	0.50	0.41	0.35	0.31	0.28	0.25	
	96	59	223	151	302	257	5.11	2.56	1.70	1.28	1.02	0.85	0.64	0.51	0.43	0.37	0.32	0.28	0.26	
	118	74	250	167	335	284	5.15	2.58	1.72	1.29	1.03	0.86	0.65	0.52	0.43	0.37	0.32	0.29	0.26	
28 1.10	81	44	224	144	289	245	5.35	2.68	1.78	1.34	1.07	0.89	0.67	0.54	0.44	0.38	0.33	0.30	0.27	
	104	59	259	157	315	268	5.68	2.84	1.89	1.42	1.14	1.14	0.71	0.57	0.47	0.41	0.35	0.31	0.28	
	128	74	289	171	341	290	5.86	2.93	1.95	1.46	1.17	1.17	0.73	0.59	0.49	0.42	0.37	0.33	0.29	
30 1.18	94	44	257	151	302	257	5.89	2.94	1.96	1.47	1.18	1.18	0.74	0.59	0.49	0.42	0.37	0.33	0.30	
	116	59	298	164	328	279	6.26	3.13	2.09	1.57	1.25	1.25	0.78	0.63	0.52	0.45	0.39	0.35	0.31	
	143	74	333	177	354	301	6.48	3.24	2.16	1.62	1.30	1.30	0.81	0.65	0.54	0.46	0.41	0.36	0.32	