


**IDR/F/GLIA®**

**G3**  
90-350

**3.5" OD x 1148 ft**

Komet Twin 140 Ultra  
140-290 GPM



 Product Page

## FEATURES:

- 1148 ft – Impact resistant MPDE hose
- Galvanized Frame
- 3-wheel sprinkler cart with adjustable track
- High efficiency turbine drive
- 4-Speed gearbox
- Automatic retraction stop
- Auxiliary PTO powered retraction system
- Automatic retraction speed compensation
- Komet Twin 140 Ultra sprinkler
- 360 Degree rotating turn table
- Hydraulic stabilizer legs and sprinkler cart
- Chain driven hose guide
- Optional IdroMop Computer control

**WaterTec**

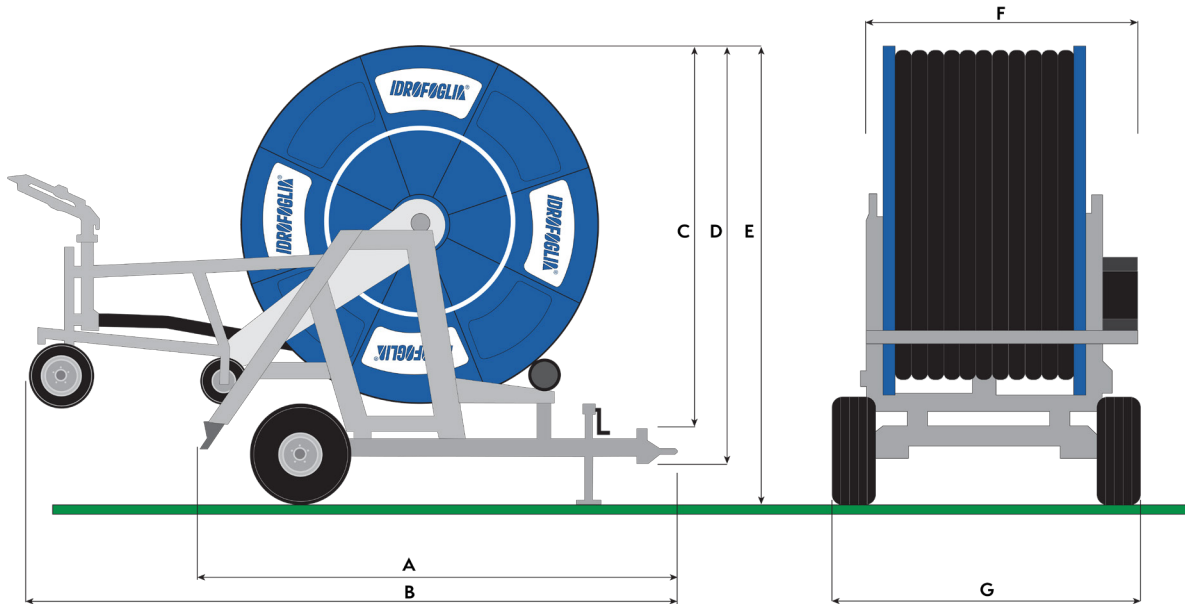
**watertecna.com**



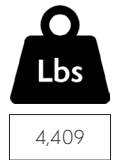
877-591-4790



888-695-7999



A	11.5'
B	16.7'
C	72'
D	8.0'
E	9.1'
F	6.4'
G	6.7'



Nozzle Size	Inlet	Sprinkler	Flow	Radius	Diameter	Spacing (85%)	Speed (feet/hour)													
							16	33	49	66	82	98	131	164	197	230	262	295	328	
							Rewind Time (hours)													
							18.3	9.1	6.1	4.6	3.7	3.0	2.3	1.8	1.5	1.3	1.1	1.0	0.9	
mm/in	PSI	PSI	GPM	Feet	Feet	Feet	Precipitation rate in inches													
20 0.79	71	44	121	108	217	184	3.87	1.94	1.29	0.97	0.78	0.65	0.48	0.39	0.32	0.28	0.24	0.22	0.19	
	91	59	140	121	243	206	4.00	2.00	1.33	1.00	0.80	0.67	0.50	0.40	0.33	0.28	0.25	0.22	0.20	
	112	74	157	135	269	229	4.03	2.01	1.34	1.01	0.81	0.67	0.50	0.40	0.33	0.29	0.25	0.22	0.20	
22 0.87	76	44	138	121	243	206	3.92	1.96	1.31	0.98	0.78	0.65	0.49	0.39	0.33	0.28	0.24	0.22	0.20	
	98	59	159	135	269	229	4.09	2.05	1.37	1.02	0.82	0.68	0.51	0.41	0.34	0.29	0.26	0.23	0.20	
	121	74	178	148	295	251	4.17	2.09	1.39	1.04	0.83	0.70	0.52	0.42	0.35	0.30	0.26	0.23	0.21	
24 0.94	85	44	164	128	256	218	4.44	2.22	1.48	1.11	0.89	0.74	0.56	0.44	0.37	0.32	0.28	0.25	0.22	
	110	59	190	144	289	245	4.55	2.28	1.52	1.14	0.91	0.76	0.57	0.46	0.38	0.33	0.28	0.25	0.23	
	135	74	213	157	315	268	4.67	2.33	1.56	1.17	0.93	0.78	0.58	0.47	0.39	0.33	0.29	0.26	0.23	
26 1.02	97	44	193	135	269	229	4.96	2.48	1.65	1.24	0.99	0.83	0.62	0.50	0.41	0.35	0.31	0.28	0.25	
	125	59	223	151	302	257	5.11	2.56	1.70	1.28	1.02	0.85	0.64	0.51	0.43	0.37	0.32	0.28	0.26	
	153	74	250	167	335	284	5.15	2.58	1.72	1.29	1.03	0.86	0.65	0.52	0.43	0.37	0.32	0.29	0.26	