


IDR/F/GLIA®

G3 90-300

3.5" OD x 985 ft Komet Twin 140 Ultra 140-290 GPM



 Product Page



FEATURES:

- 985 ft – Impact resistant MPDE hose
- Galvanized Frame
- 3-wheel sprinkler cart with adjustable track
- High efficiency turbine drive
- 4-Speed gearbox
- Automatic retraction stop
- Auxiliary PTO powered retraction system
- Automatic retraction speed compensation
- Komet Twin 140 Ultra sprinkler
- 360 Degree rotating turn table
- Hydraulic stabilizer legs and sprinkler cart
- Chain driven hose guide
- Optional IdroMop Computer control

WaterTec

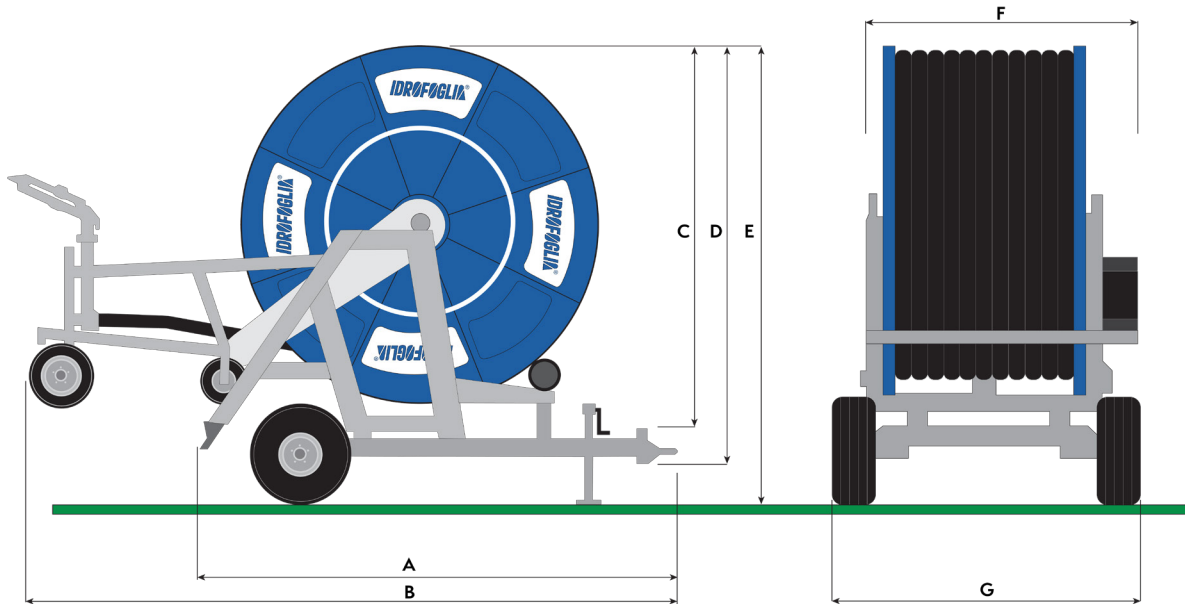
watertecna.com



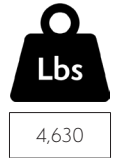
877-591-4790



888-695-7999



A	11.5'
B	16.7'
C	7.1'
D	7.9'
E	9.0'
F	6.4'
G	6.7'



Nozzle Size	Inlet	Sprinkler	Flow	Radius	Diameter	Spacing (8.5%)	Speed (feet/hour)												
							16	33	49	66	82	98	131	164	197	230	262	295	328
							Rewind Time (hours)												
							18.3	9.1	6.1	4.6	3.7	3.0	2.3	1.8	1.5	1.3	1.1	1.0	0.9
mm/in	PSI	PSI	GPM	Feet	Feet	Feet	Precipitation rate in inches												
22 0.87	72	44	138	121	243	206	3.92	1.96	1.31	0.98	0.78	0.65	0.49	0.39	0.33	0.28	0.24	0.22	0.20
	93	59	159	135	269	229	4.09	2.05	1.37	1.02	0.82	0.68	0.51	0.41	0.34	0.29	0.26	0.23	0.20
	113	74	178	148	295	251	4.17	2.09	1.39	1.04	0.83	0.70	0.52	0.42	0.35	0.30	0.26	0.23	0.21
24 0.94	79	44	164	128	256	218	4.44	2.22	1.48	1.11	0.89	0.74	0.56	0.44	0.37	0.32	0.28	0.25	0.22
	103	59	190	144	289	245	4.55	2.28	1.52	1.14	0.91	0.76	0.57	0.46	0.38	0.33	0.28	0.25	0.23
	125	74	213	157	315	268	4.67	2.33	1.56	1.17	0.93	0.78	0.58	0.47	0.39	0.33	0.29	0.26	0.23
26 1.02	88	44	193	135	269	229	4.96	2.48	1.65	1.24	0.99	0.83	0.62	0.50	0.41	0.37	0.31	0.28	0.25
	115	59	223	151	302	257	5.11	2.56	1.70	1.28	1.02	0.85	0.64	0.51	0.43	0.37	0.32	0.28	0.26
	140	74	250	167	335	284	5.15	2.58	1.72	1.29	1.03	0.86	0.65	0.52	0.43	0.38	0.32	0.29	0.26
28 1.10	100	44	224	144	289	245	5.35	2.68	1.78	1.34	1.07	0.89	0.67	0.54	0.44	0.41	0.33	0.30	0.27
	129	59	259	157	315	268	5.68	2.84	1.89	1.42	1.14	0.94	0.71	0.57	0.47	0.42	0.35	0.31	0.28
	157	74	289	171	341	290	5.86	2.93	1.95	1.46	1.17	0.98	0.73	0.59	0.49	0.00	0.37	0.33	0.29