

## TECHNICAL DATASHEET TURBOCAR

# ACTIVE – G3



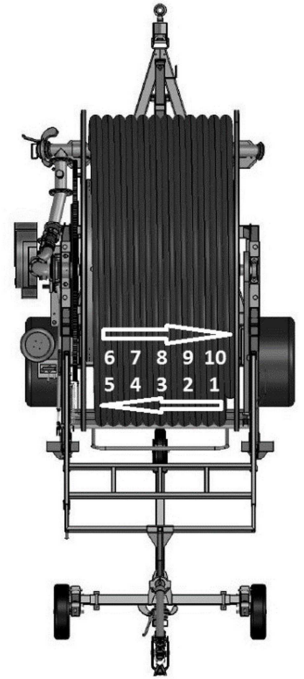
*Illustrative purposes only; the model shown here could be different that one supplied*

### STANDARD EQUIPMENT

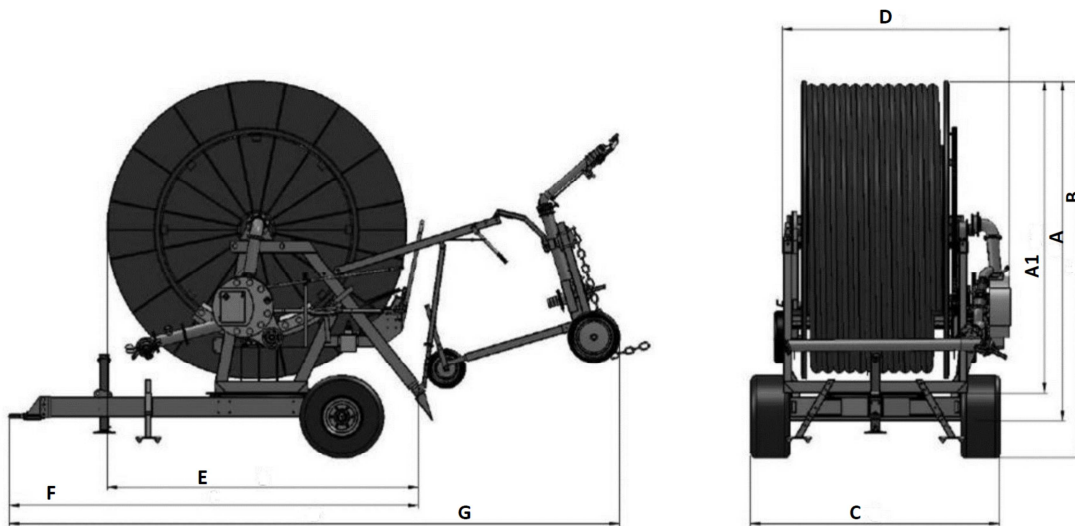
- High efficiency partial flow turbine drive directly coupled to the gearbox (minimum pressure losses in its category)
- 4 speed gearbox with oil lubrication
- Safety devices for PTO and rewinding out of the drum
- Moving transmission through toothed crown, which is placed close to the maximum stress point on the drum and not pushing against the hose reel borders
- Leadscrew driven hose layering guide
- By-pass “double action” for automatic speed control
- Glycerine filled pressure gauge
- Digital hour meters
- Huge diameter 360° turntable
- Exclusive “safety lock” rotation system from trolley lift which blocks the automatic rotation in case of emergency and allows a single operator to turn the machine safely and with minimum effort
- Trolley lift and stacker legs driven by hydraulic pistons incorporated inside the structure
- Additional stacker legs on the tow-bar
- Hot galvanised steel lower frame, upper frame, pipework with double water inlet and components
- 3 wheels hot galvanised sprinkler trolley with adjustable track, height and legs
- Accident prevention protections according to CE standard
- Sprinkler with set of nozzles
- High resistant medium density PE hose with differentiated thickness from  $\varnothing 90$  mm
- Instructions and maintenance handbook
- CE Certificate
- Warranty certificate

## Available Models

| Structure | Model     | Type | Hose ending | P.E. hose Ø (mm) | Hose length L (m) | Sprinkler         |
|-----------|-----------|------|-------------|------------------|-------------------|-------------------|
| G3D       | 75 G 400  | C    | 8           | 75               | 400               | ROYAL / TWIN 101  |
|           | 75 G 450  | B    | 2           | 75               | 450               | ROYAL / TWIN 101  |
|           | 82 G 320  | C    | 5           | 82               | 320               | ROYAL / TWIN 101  |
|           | 82 G 360  | A    | 8           | 82               | 360               | ROYAL / TWIN 101  |
|           | 82 G 400  | A    | 10          | 82               | 400               | ROYAL / TWIN 101  |
|           | 82 G 440  | E    | 3           | 82               | 440               | ROYAL / TWIN 101  |
|           | 90 G 260  | C    | 2           | 90               | 260               | REFLEX / TWIN 140 |
|           | 90 G 300  | C    | 5           | 90               | 300               | REFLEX / TWIN 140 |
|           | 90 G 350  | B    | 9           | 90               | 350               | REFLEX / TWIN 140 |
|           | 90 G 380  | F    | 10          | 90               | 380               | REFLEX / TWIN 140 |
|           | 100 G 210 | C    | 10          | 100              | 210               | REFLEX / TWIN 140 |
|           | 100 G 250 | D    | 3           | 100              | 250               | REFLEX / TWIN 140 |
|           | 100 G 270 | D    | 4           | 100              | 270               | REFLEX / TWIN 140 |
|           | 100 G 300 | H    | 5           | 100              | 300               | REFLEX / TWIN 140 |
|           | 110 G 200 | C    | 10          | 110              | 200               | REFLEX / TWIN 160 |
|           | 110 G 250 | F    | 4           | 110              | 250               | REFLEX / TWIN 160 |



## Weight and overall dimensions



| STR. | TYPE            | WHEELS          | A1   | A    | B    | C    | D    | E    | F    | G    | KG          |
|------|-----------------|-----------------|------|------|------|------|------|------|------|------|-------------|
| G3   | A               | 10.0/80.12-5F   | 2170 | 2420 | 2740 | 2050 | 1940 | 2340 | 3500 | 5100 | 2000 ÷ 2100 |
|      | A               | 10.0/75.15.3-5F | 2170 | 2420 | 2770 | 2080 | 1940 | 2340 | 3500 | 5100 |             |
|      | B               | 10.0/80.12-5F   | 2200 | 2450 | 2770 | 2050 | 1940 | 2370 | 3500 | 5100 |             |
|      | B               | 10.0/75.15.3-5F | 2200 | 2450 | 3000 | 2080 | 1940 | 2370 | 3500 | 5100 |             |
|      | C               | 10.0/80.12-5F   | 2170 | 2420 | 2740 | 2050 | 1940 | 2340 | 3500 | 5100 |             |
|      | C               | 10.0/75.15.3-5F | 2170 | 2420 | 2770 | 2080 | 1940 | 2340 | 3500 | 5100 |             |
|      | D               | 10.0/80.12-5F   | 2200 | 2450 | 2770 | 2050 | 1940 | 2370 | 3500 | 5100 |             |
|      | D               | 10.0/75.15.3-5F | 2200 | 2450 | 2800 | 2080 | 1940 | 2370 | 3500 | 5100 |             |
|      | E               | 10.0/80.12-5F   | 2260 | 2510 | 2830 | 2050 | 1940 | 2430 | 3500 | 5100 |             |
|      | E               | 10.0/75.15.3-5F | 2260 | 2510 | 2860 | 2080 | 1940 | 2430 | 3500 | 5100 |             |
|      | F               | 10.0/80.12-5F   | 2260 | 2510 | 2830 | 2050 | 1940 | 2430 | 3500 | 5100 |             |
|      | F               | 10.0/75.15.3-5F | 2260 | 2510 | 2860 | 2080 | 1940 | 2430 | 3500 | 5100 |             |
| H    | 10.0/80.12-5F   | 2260            | 2510 | 2830 | 2050 | 1940 | 2430 | 3500 | 5100 |      |             |
| H    | 10.0/75.15.3-5F | 2260            | 2510 | 2860 | 2080 | 1940 | 2430 | 3500 | 5100 |      |             |

## Technical Features

| Ø hose (mm) | Ø nozzle (mm) | Machine pressure (atm) |            |            |            | Sprinkler press. (atm) | Throw (mt) | Irrigated width (mt) | Flow (l/min) | Irrigated area (ha) |            |            |            | Rainfall (mm) |        |        |
|-------------|---------------|------------------------|------------|------------|------------|------------------------|------------|----------------------|--------------|---------------------|------------|------------|------------|---------------|--------|--------|
|             |               | 400                    | 450        | 500        |            |                        |            |                      |              | 400                 | 450        | 500        |            | 10 m/h        | 30 m/h | 50 m/h |
| 75          | 16            | 4,6                    | 4,7        | 4,8        |            | 3,0                    | 27,0       | 45,9                 | 225          | 1,83                | 2,04       | 2,26       |            | 28,1          | 9,4    | 5,6    |
|             |               | 6,0                    | 6,2        | 6,4        |            | 4,0                    | 32,0       | 54,4                 | 275          | 2,18                | 2,44       | 2,70       |            | 28,7          | 9,6    | 5,7    |
|             | 18            | 6,9                    | 7,2        | 7,5        |            | 4,0                    | 33,0       | 56,1                 | 350          | 2,26                | 2,52       | 2,79       |            | 35,4          | 11,8   | 7,1    |
|             |               | 8,6                    | 9,0        | 9,4        |            | 5,0                    | 37,0       | 62,9                 | 403          | 2,55                | 2,84       | 3,14       |            | 36,1          | 12,0   | 7,2    |
|             | 20            | 10,1                   | 10,6       | 11,2       |            | 5,0                    | 39,0       | 66,3                 | 500          | 2,69                | 3,01       | 3,32       |            | 42,3          | 14,1   | 8,5    |
|             |               | 12,7                   | 13,6       | 14,4       |            | 5,5                    | 41,5       | 70,6                 | 620          | 2,88                | 3,21       | 3,55       |            | 49,1          | 16,4   | 9,8    |
| 82          | 18            | <b>320</b>             | <b>360</b> | <b>400</b> | <b>440</b> |                        |            |                      |              | <b>320</b>          | <b>360</b> | <b>400</b> | <b>440</b> |               |        |        |
|             |               | 4,7                    | 5,0        | 5,2        | 5,4        | 3,0                    | 33,0       | 56,1                 | 350          | 1,83                | 2,04       | 2,26       | 2,47       | 34,9          | 11,6   | 7,0    |
|             | 6,1           | 6,5                    | 6,7        | 6,9        | 4,0        | 37,0                   | 62,9       | 403                  | 2,07         | 2,31                | 2,55       | 2,78       | 35,6       | 11,9          | 7,1    |        |
|             | 20            | 6,9                    | 7,4        | 7,8        | 8,1        | 4,0                    | 39,0       | 66,3                 | 500          | 2,19                | 2,44       | 2,69       | 2,94       | 41,7          | 13,9   | 8,3    |
|             |               | 8,4                    | 9,1        | 9,5        | 9,9        | 5,0                    | 43,0       | 73,1                 | 560          | 2,43                | 2,71       | 2,99       | 3,27       | 42,0          | 14,0   | 8,4    |
|             | 22            | 9,6                    | 10,6       | 11,1       | 11,7       | 5,0                    | 45,0       | 76,5                 | 675          | 2,56                | 2,85       | 3,14       | 3,43       | 48,2          | 16,1   | 9,6    |
| 10,4        |               | 11,5                   | 12,1       | 12,7       | 5,5        | 46,5                   | 79,1       | 708                  | 2,65         | 2,95                | 3,25       | 3,55       | 48,8       | 16,3          | 9,8    |        |
| 90          | 24            | <b>260</b>             | <b>300</b> | <b>350</b> | <b>380</b> |                        |            |                      |              | <b>260</b>          | <b>300</b> | <b>350</b> | <b>380</b> |               |        |        |
|             |               | 5,1                    | 5,3        | 5,7        | 5,9        | 3,0                    | 39,0       | 66,3                 | 622          | 1,81                | 2,06       | 2,38       | 2,57       | 50,9          | 17,0   | 10,2   |
|             | 6,6           | 6,9                    | 7,3        | 7,7        | 4,0        | 44,0                   | 74,8       | 720                  | 2,07         | 2,35                | 2,71       | 2,92       | 51,6       | 17,2          | 10,3   |        |
|             | 26            | 7,3                    | 7,7        | 8,3        | 8,8        | 4,0                    | 47,0       | 79,9                 | 845          | 2,22                | 2,53       | 2,91       | 3,13       | 56,3          | 18,8   | 11,3   |
|             |               | 8,9                    | 9,4        | 10,2       | 10,7       | 5,0                    | 52,0       | 88,4                 | 945          | 2,49                | 2,83       | 3,25       | 3,50       | 56,2          | 18,7   | 11,2   |
|             | 28            | 9,9                    | 10,6       | 11,6       | 12,3       | 5,0                    | 56,0       | 95,2                 | 1095         | 2,71                | 3,07       | 3,52       | 3,79       | 59,9          | 20,0   | 12,0   |
| 10,8        |               | 11,6                   | 12,7       | 13,4       | 5,5        | 57,0                   | 96,9       | 1150                 | 2,76         | 3,13                | 3,59       | 3,87       | 61,7       | 20,6          | 12,3   |        |
| 100         | 26            | <b>210</b>             | <b>250</b> | <b>270</b> | <b>300</b> |                        |            |                      |              | <b>210</b>          | <b>250</b> | <b>270</b> | <b>300</b> |               |        |        |
|             |               | 4,5                    | 4,7        | 4,8        | 4,9        | 3,0                    | 42,0       | 71,4                 | 732          | 1,62                | 1,90       | 2,03       | 2,23       | 53,9          | 18,0   | 10,8   |
|             | 5,8           | 6,1                    | 6,2        | 6,4        | 4,0        | 47,0                   | 79,9       | 845                  | 1,84         | 2,15                | 2,30       | 2,53       | 54,8       | 18,3          | 11,0   |        |
|             | 28            | 6,2                    | 6,5        | 6,7        | 7,0        | 4,0                    | 51,0       | 86,7                 | 980          | 2,02                | 2,35       | 2,52       | 2,77       | 57,9          | 19,3   | 11,6   |
|             |               | 7,6                    | 8,0        | 8,2        | 8,5        | 5,0                    | 56,0       | 95,2                 | 1095         | 2,25                | 2,62       | 2,80       | 3,07       | 58,1          | 19,4   | 11,6   |
|             | 30            | 8,2                    | 8,7        | 9,0        | 9,4        | 5,0                    | 57,0       | 96,9                 | 1260         | 2,30                | 2,67       | 2,85       | 3,13       | 65,5          | 21,8   | 13,1   |
| 8,9         |               | 9,5                    | 9,8        | 10,2       | 5,5        | 58,5                   | 99,5       | 1320                 | 2,37         | 2,75                | 2,94       | 3,22       | 66,6       | 22,2          | 13,3   |        |
| 110         | 28            | <b>200</b>             | <b>250</b> |            |            |                        |            |                      |              | <b>200</b>          | <b>250</b> |            |            |               |        |        |
|             |               | 4,3                    | 4,5        |            |            | 3,0                    | 44,0       | 74,8                 | 848          | 1,64                | 2,00       |            |            | 58,9          | 19,6   | 11,8   |
|             | 5,5           | 5,8                    |            |            | 4,0        | 51,0                   | 86,7       | 980                  | 1,94         | 2,35                |            |            | 57,5       | 19,2          | 11,5   |        |
|             | 30            | 5,8                    | 6,1        |            |            | 4,0                    | 52,0       | 88,4                 | 1127         | 1,99                | 2,41       |            |            | 64,7          | 21,6   | 12,9   |
|             |               | 7,1                    | 7,5        |            |            | 5,0                    | 57,0       | 96,9                 | 1260         | 2,21                | 2,67       |            |            | 65,0          | 21,7   | 13,0   |
|             | 32            | 7,5                    | 8,0        |            |            | 5,0                    | 58,0       | 98,6                 | 1432         | 2,25                | 2,72       |            |            | 72,4          | 24,1   | 14,5   |
| 7,7         |               | 8,2                    |            |            | 5,5        | 60,0                   | 102,0      | 1330                 | 2,35         | 2,83                |            |            | 64,6       | 21,5          | 12,9   |        |