

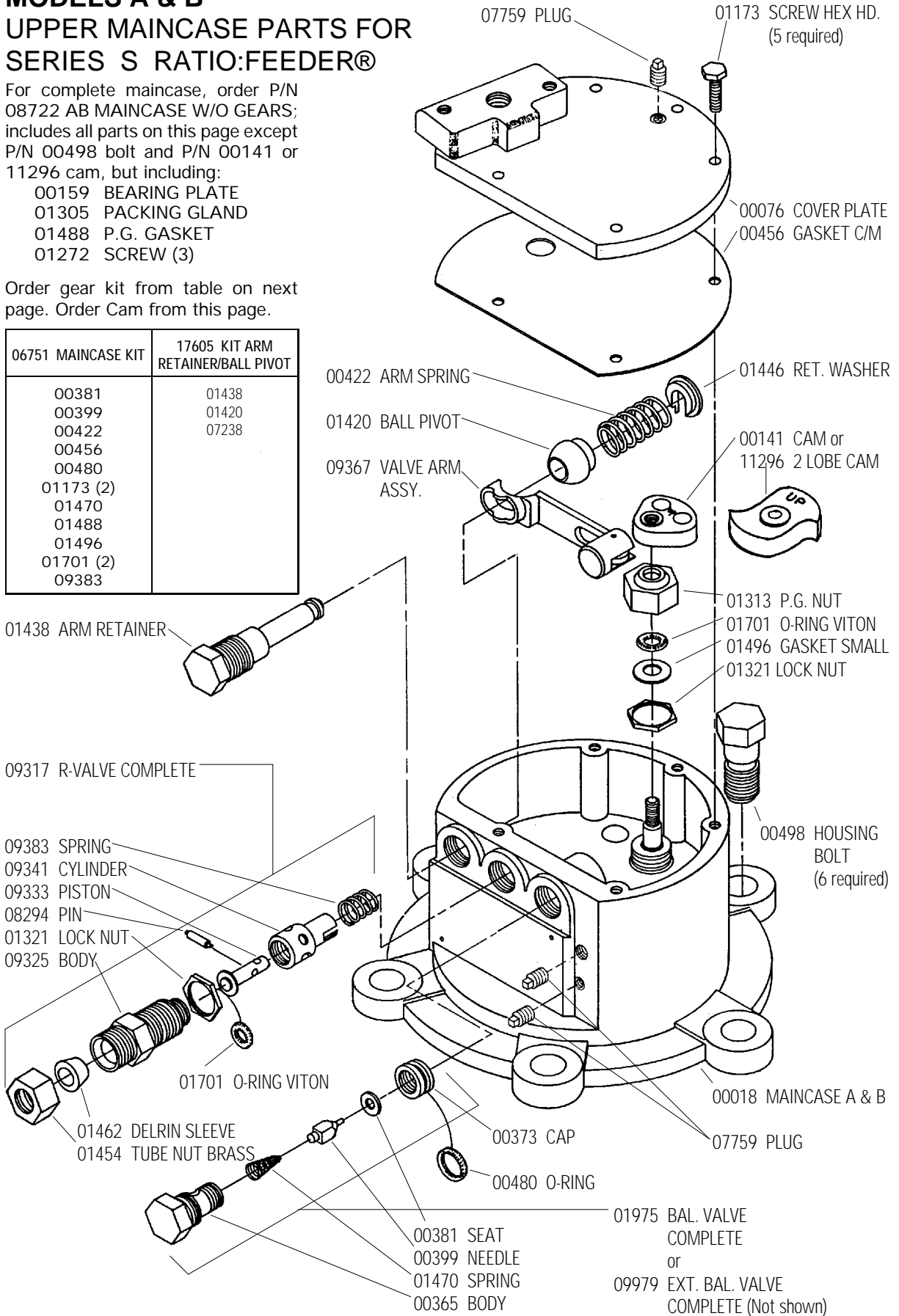
# MODELS A & B UPPER MAINCASE PARTS FOR SERIES S RATIO:FEEDER®

For complete maincase, order P/N 08722 AB MAINCASE W/O GEARS; includes all parts on this page except P/N 00498 bolt and P/N 00141 or 11296 cam, but including:

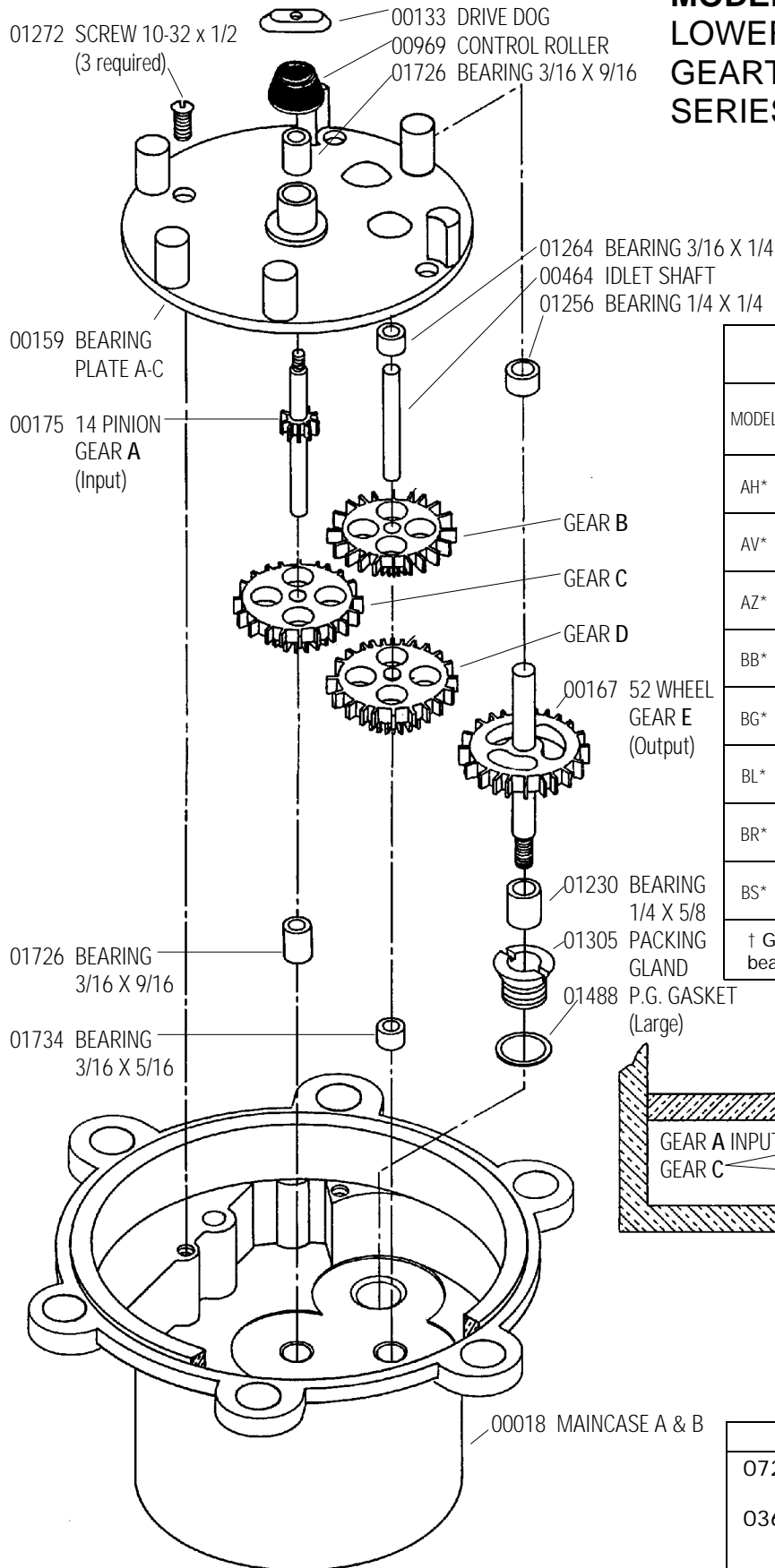
- 00159 BEARING PLATE
- 01305 PACKING GLAND
- 01488 P.G. GASKET
- 01272 SCREW (3)

Order gear kit from table on next page. Order Cam from this page.

06751 MAINCASE KIT	17605 KIT ARM RETAINER/BALL PIVOT
00381	01438
00399	01420
00422	07238
00456	
00480	
01173 (2)	
01470	
01488	
01496	
01701 (2)	
09383	

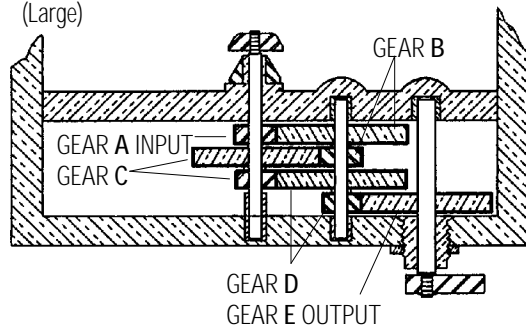


# MODELS A & B LOWER MAINCASE & GEARTRAIN PARTS FOR SERIES S



GEAR TRAIN PART NUMBER TABLE				
Part numbers in bold face				
MODEL	WHEEL & PINION			COMPLETE GEAR KIT†
	GEAR B	GEAR C	GEAR D	
AH*	<b>10149</b> 52-33	<b>10222</b> 33-33	<b>10230</b> 33-14	<b>10248</b>
AV*	<b>00183</b> 52-24	<b>00349</b> 42-24	<b>00357</b> 42-14	<b>03847</b>
AZ*	<b>09656</b> 52-28	<b>09664</b> 38-28	<b>09672</b> 38-14	<b>11932</b>
BB*	<b>00232</b> 52-14	<b>00232</b> 52-14	<b>00232</b> 52-14	<b>11940</b>
BG*	<b>00216</b> 52-16	<b>00274</b> 50-16	<b>00282</b> 50-14	<b>11958</b>
BL*	<b>00216</b> 52-16	<b>00266</b> 50-21	<b>00331</b> 45-14	<b>11966</b>
BR*	<b>00191</b> 52-21	<b>00323</b> 45-21	<b>00331</b> 45-14	<b>11974</b>
BS*	<b>00208</b> 52-20	<b>08871</b> 46-24	<b>00357</b> 42-14	<b>12055</b>

† Gear kits include all gears, shafts, bearings, control roller & drive dog.



ACCESSORIES	
07238	GREASE WATERPROOF SMALL PACKET
03681	GREASE WATERPROOF 10 OZ TUBE

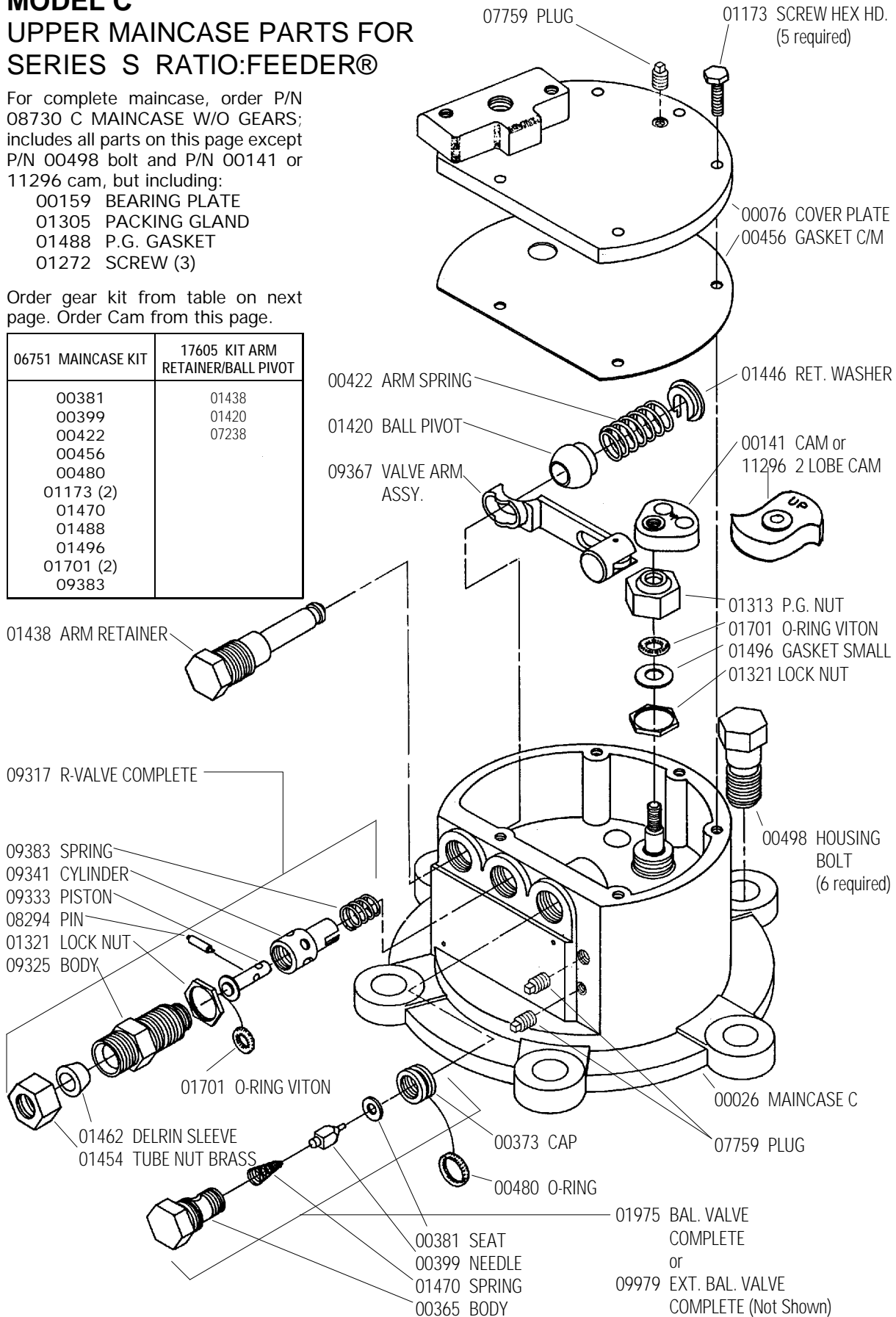
# MODEL C UPPER MAINCASE PARTS FOR SERIES S RATIO:FEEDER®

For complete maincase, order P/N 08730 C MAINCASE W/O GEARS; includes all parts on this page except P/N 00498 bolt and P/N 00141 or 11296 cam, but including:

- 00159 BEARING PLATE
- 01305 PACKING GLAND
- 01488 P.G. GASKET
- 01272 SCREW (3)

Order gear kit from table on next page. Order Cam from this page.

06751 MAINCASE KIT	17605 KIT ARM RETAINER/BALL PIVOT
00381	01438
00399	01420
00422	07238
00456	
00480	
01173 (2)	
01470	
01488	
01496	
01701 (2)	
09383	



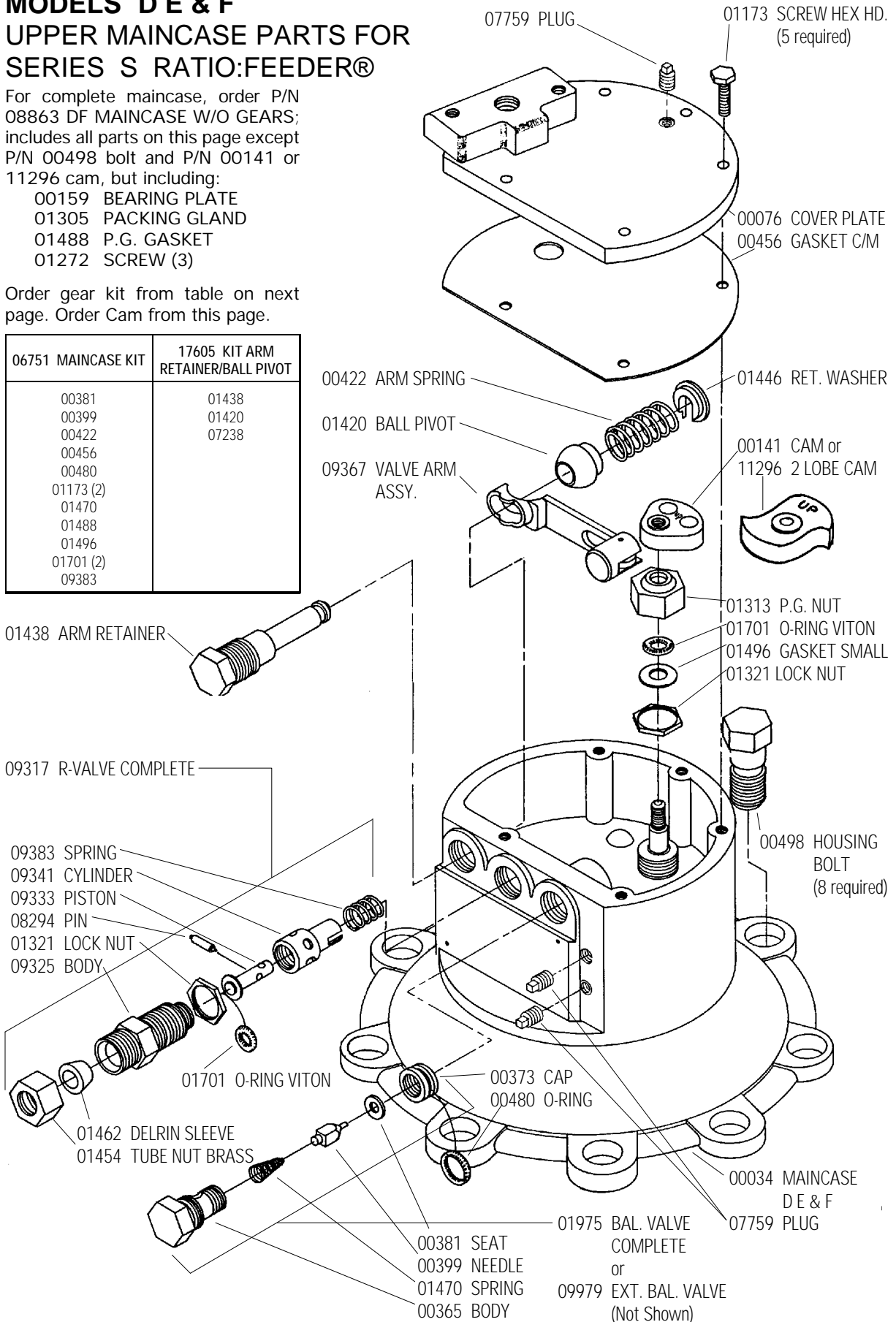
# MODELS D E & F UPPER MAINCASE PARTS FOR SERIES S RATIO:FEEDER®

For complete maincase, order P/N 08863 DF MAINCASE W/O GEARS; includes all parts on this page except P/N 00498 bolt and P/N 00141 or 11296 cam, but including:

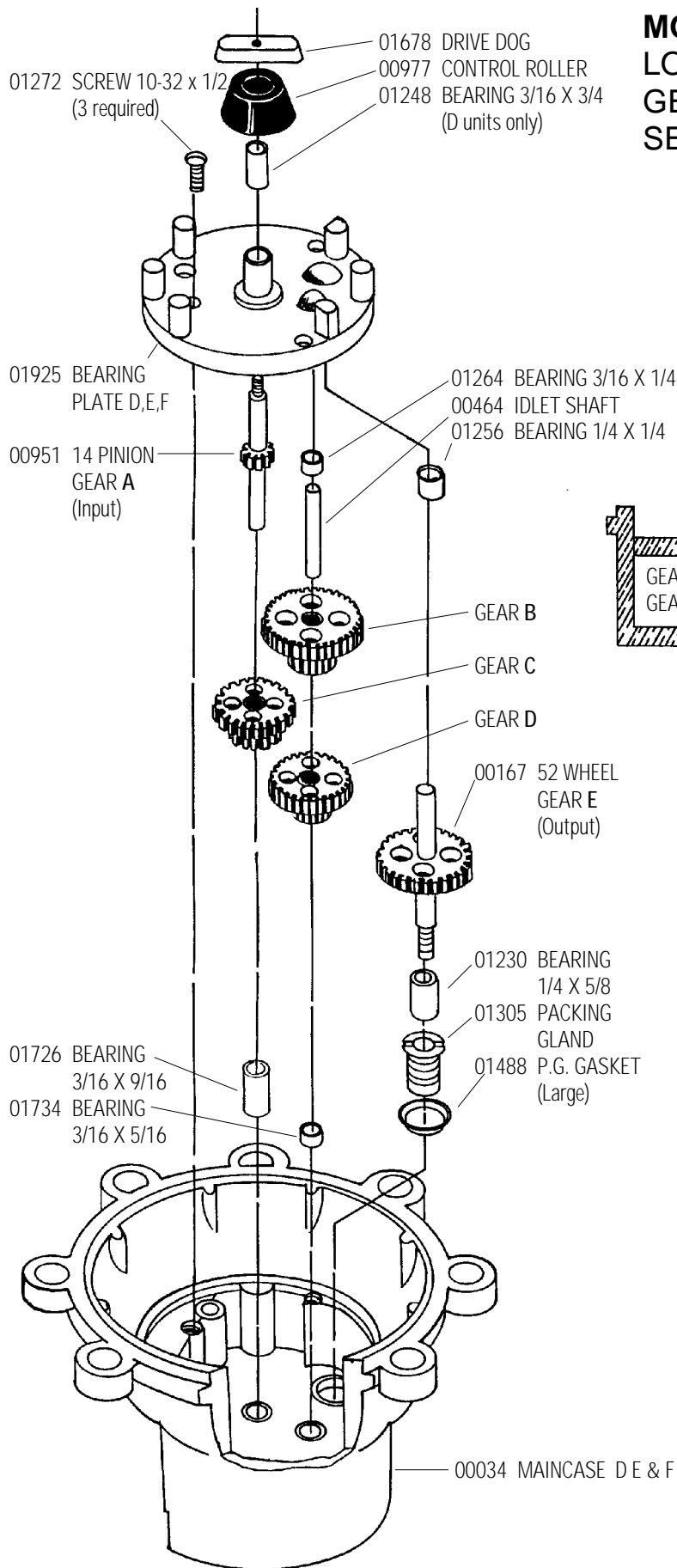
- 00159 BEARING PLATE
- 01305 PACKING GLAND
- 01488 P.G. GASKET
- 01272 SCREW (3)

Order gear kit from table on next page. Order Cam from this page.

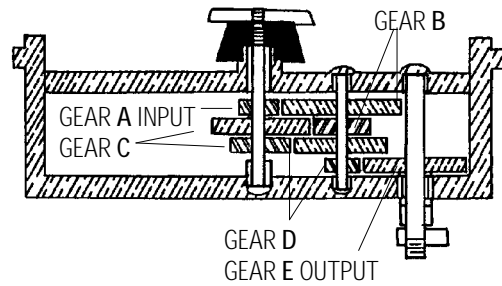
06751 MAINCASE KIT	17605 KIT ARM RETAINER/BALL PIVOT
00381	01438
00399	01420
00422	07238
00456	
00480	
01173 (2)	
01470	
01488	
01496	
01701 (2)	
09383	



# MODELS D E & F LOWER MAINCASE & GEARTRAIN PARTS FOR SERIES S

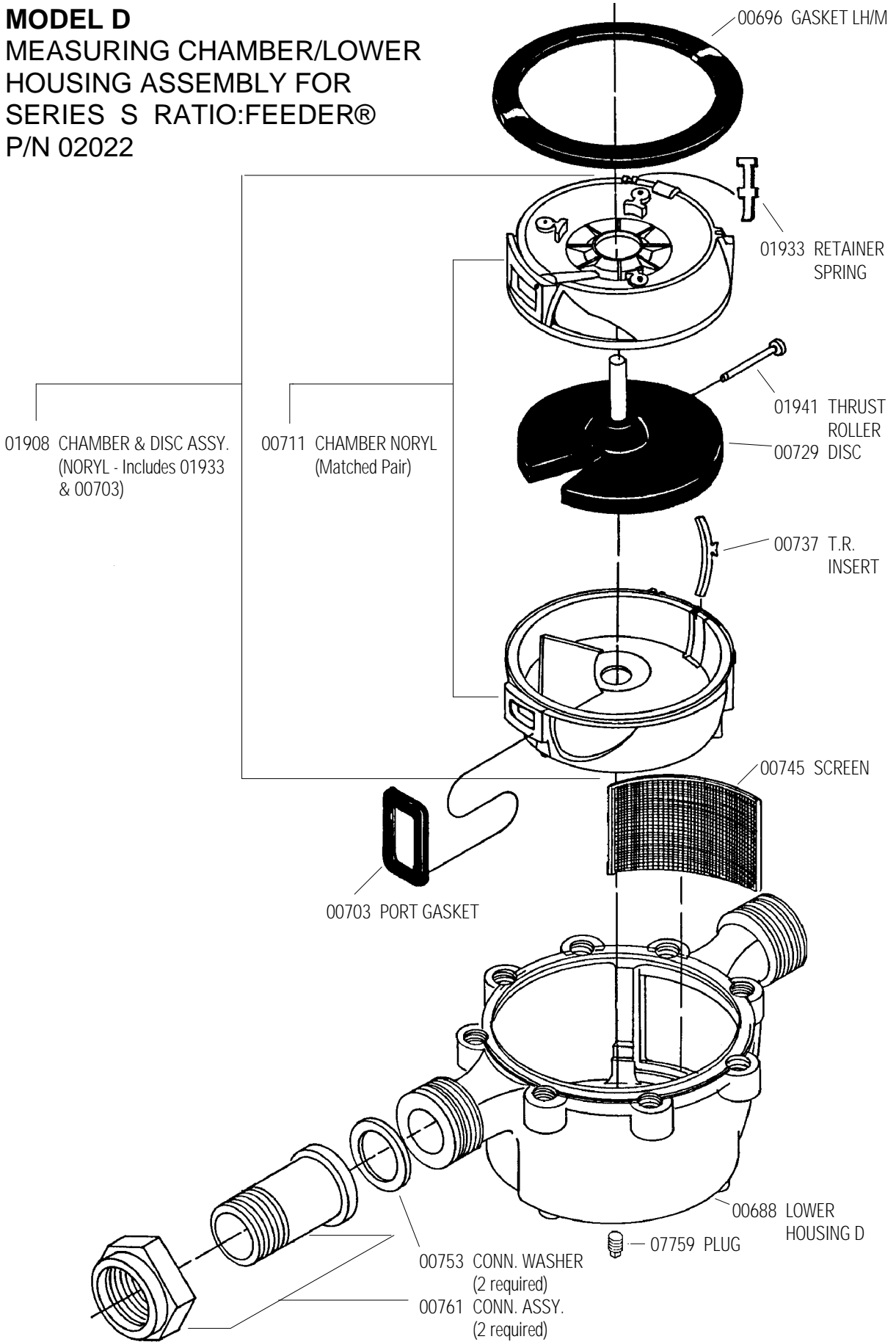


ACCESSORIES	
07238	GREASE WATERPROOF SMALL PACKET
03681	GREASE WATERPROOF 10 OZ TUBE

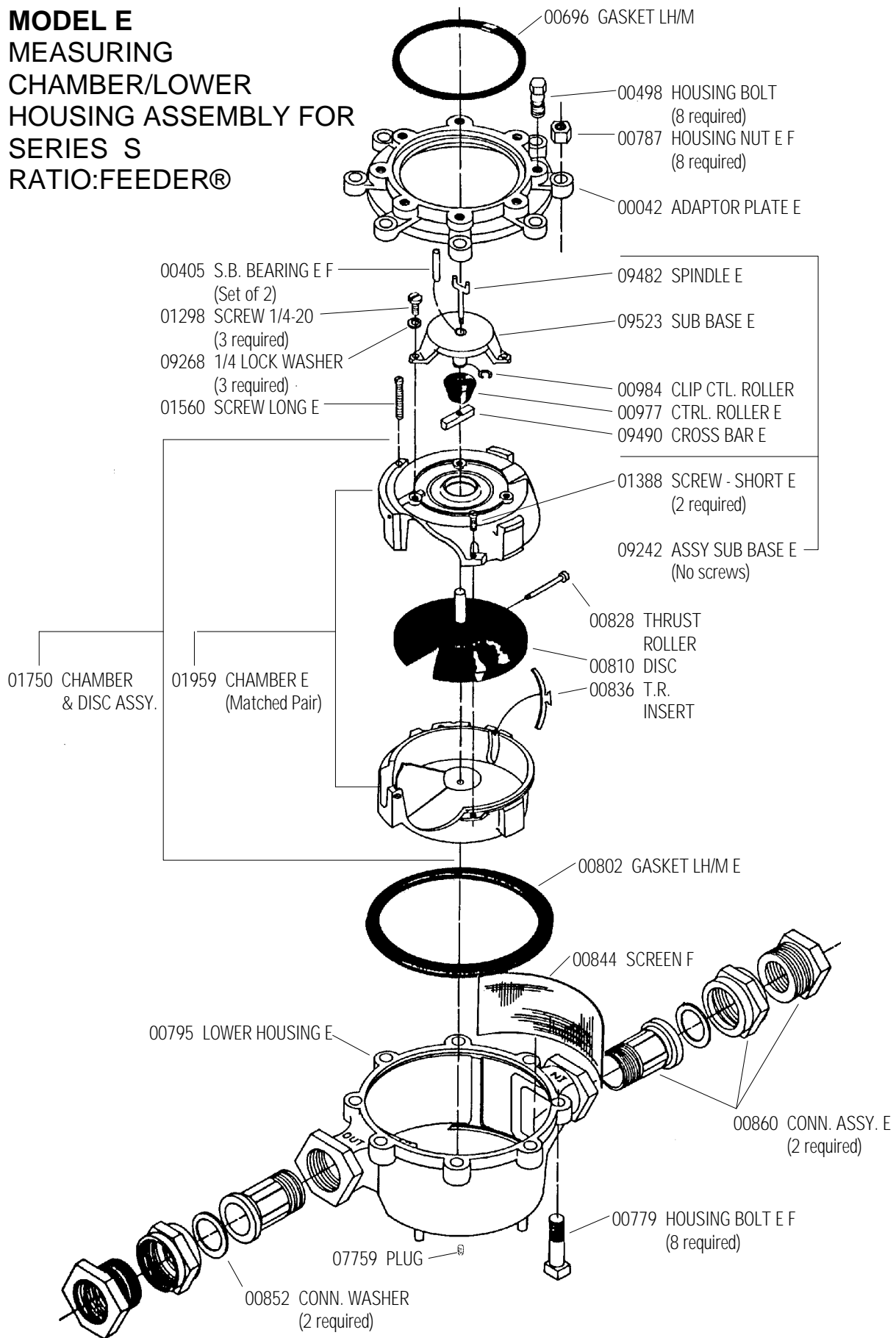


GEAR TRAIN PART NUMBER TABLE				
Part numbers in bold face				
MODEL	WHEEL & PINION			COMPLETE GEAR KIT†
	GEAR B	GEAR C	GEAR D	
DE* EE* FE*	<b>00224</b> 52-15	<b>00258</b> 51-16	<b>00282</b> 50-14	11990
DJ* EJ* FJ*	<b>00224</b> 52-15	<b>00240</b> 51-21	<b>00331</b> 45-14	12005
DN* EN* FN*	<b>00208</b> 52-20	<b>00290</b> 46-20	<b>00307</b> 46-14	12013
DT* ET* FT*	<b>00191</b> 52-21	<b>00315</b> 45-24	<b>00357</b> 42-14	12021
DX* EX* FX*	<b>01579</b> 52-25	<b>01587</b> 41-25	<b>01595</b> 41-14	12039
FZ*	<b>09656</b> 52-28	<b>09664</b> 38-28	<b>09672</b> 38-14	12047
SPECIAL SETS				
Please consult factory before using				
DA*	<b>10165</b> 52-27	<b>10173</b> 39-28	<b>09672</b> 38-14	10256
DD* ED*	<b>09656</b> 52-28	<b>10181</b> 38-29	<b>10199</b> 37-14	10264
FF*	<b>10157</b> 52-30	<b>10206</b> 36-30	<b>10214</b> 36-14	10272

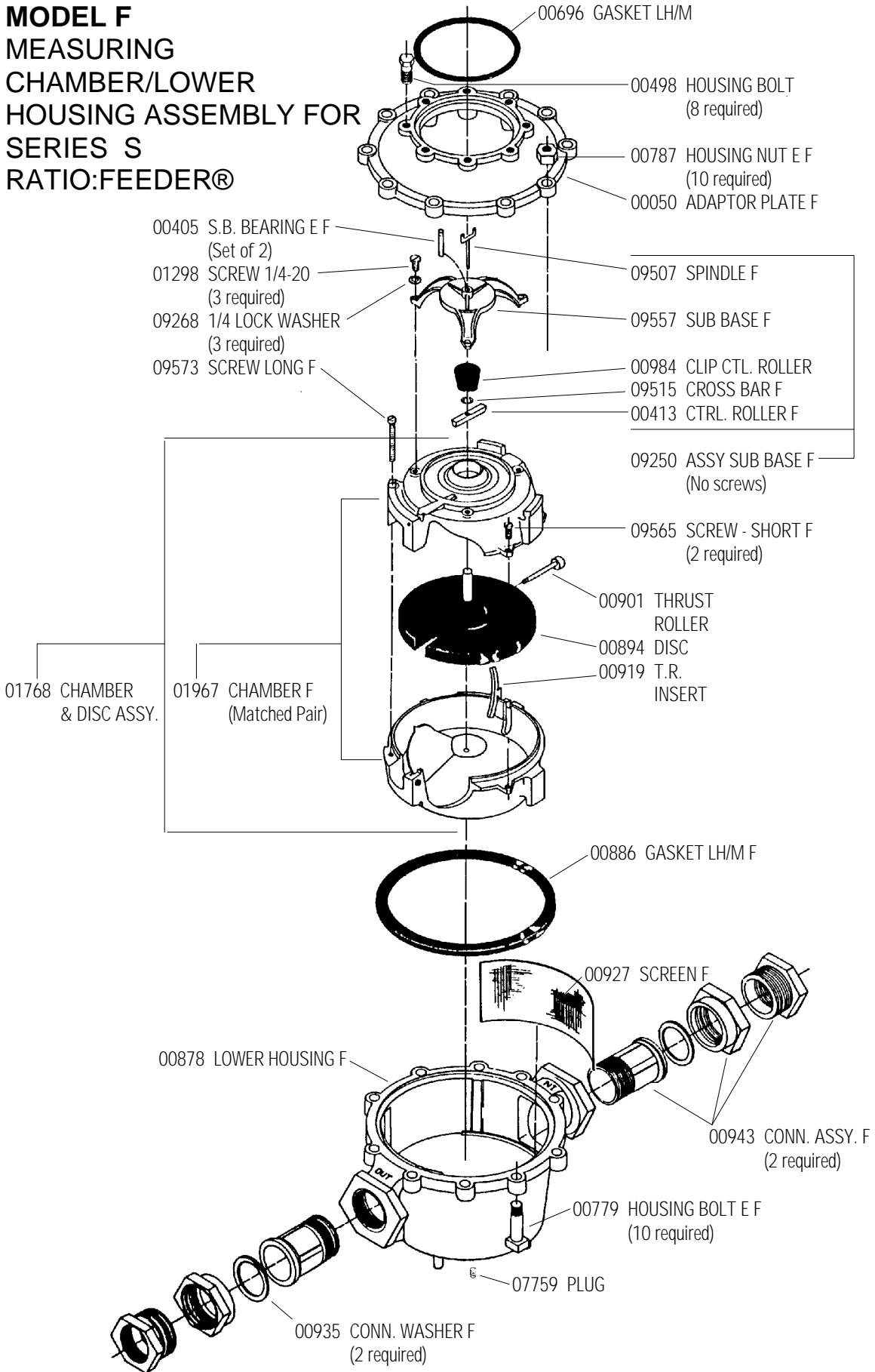
**MODEL D**  
**MEASURING CHAMBER/LOWER**  
**HOUSING ASSEMBLY FOR**  
**SERIES S RATIO:FEEDER®**  
**P/N 02022**



**MODEL E  
MEASURING  
CHAMBER/LOWER  
HOUSING ASSEMBLY FOR  
SERIES S  
RATIO:FEEDER®**

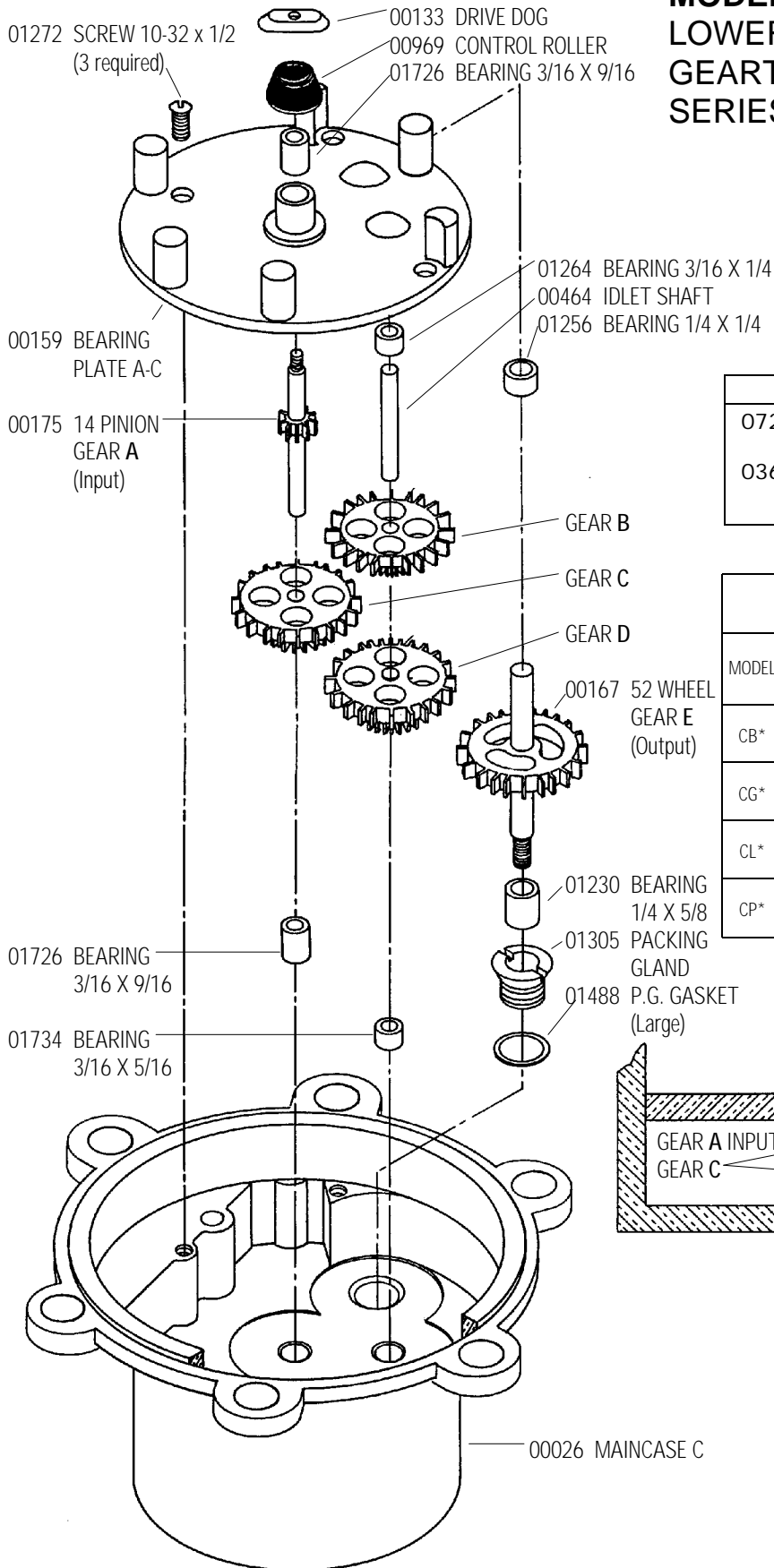


**MODEL F  
MEASURING  
CHAMBER/LOWER  
HOUSING ASSEMBLY FOR  
SERIES S  
RATIO:FEEDER®**



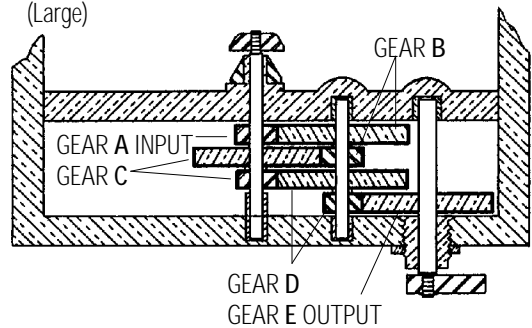


# MODEL C LOWER MAINCASE & GEARTRAIN PARTS FOR SERIES S

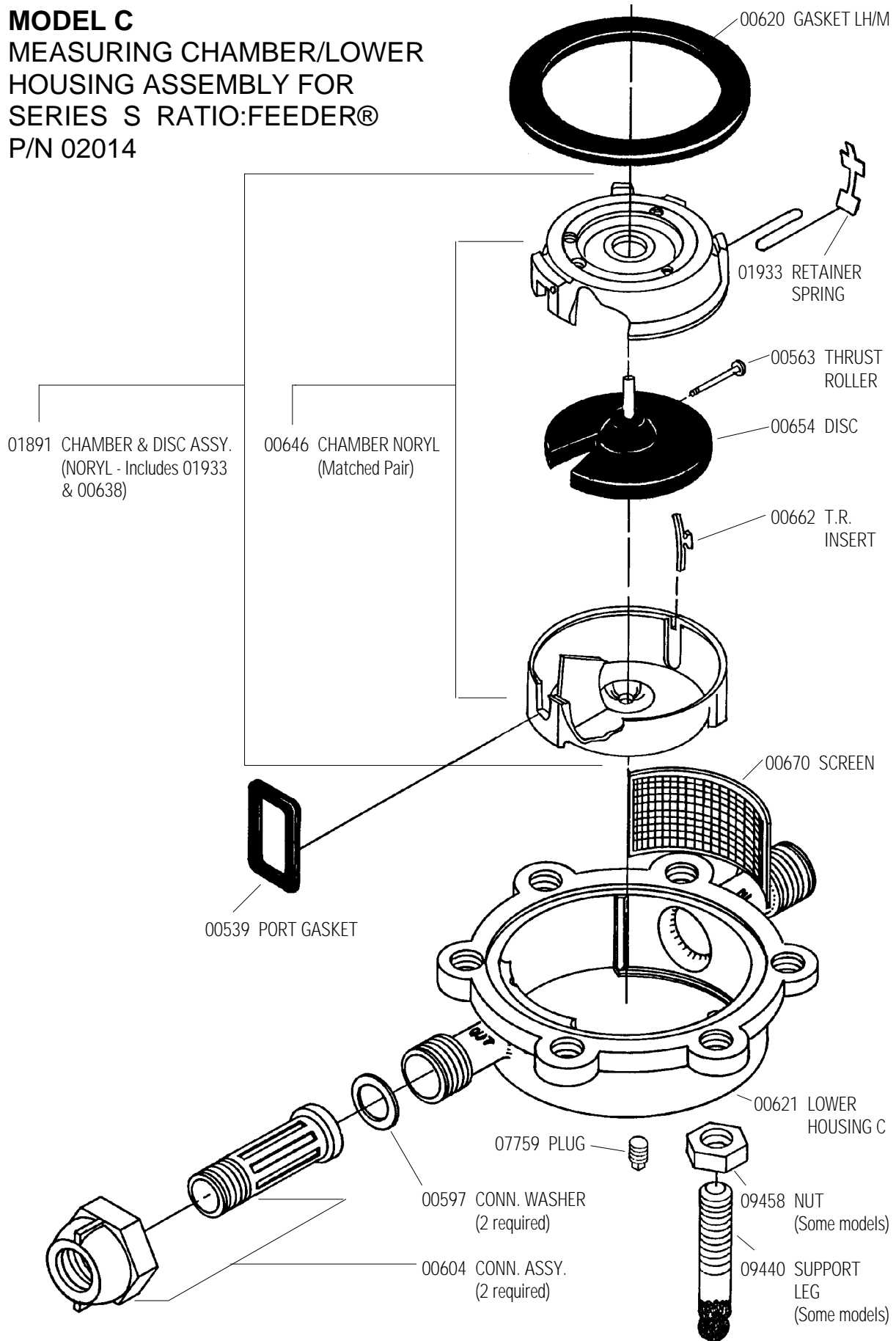


ACCESSORIES	
07238	GREASE WATERPROOF SMALL PACKET
03681	GREASE WATERPROOF 10 OZ TUBE

GEAR TRAIN PART NUMBER TABLE Part numbers in bold face				
MODEL	WHEEL & PINION			COMPLETE GEAR KIT†
	GEAR B	GEAR C	GEAR D	
CB*	<b>00232</b> 52-14	<b>00232</b> 52-14	<b>00232</b> 52-14	11940
CG*	<b>00216</b> 52-16	<b>00274</b> 50-16	<b>00282</b> 50-14	11958
CL*	<b>00216</b> 52-16	<b>00266</b> 50-21	<b>00331</b> 45-14	11966
CP*	<b>00208</b> 52-20	<b>00472</b> 46-21	<b>00331</b> 45-14	11982



**MODEL C**  
**MEASURING CHAMBER/LOWER**  
**HOUSING ASSEMBLY FOR**  
**SERIES S RATIO:FEEDER®**  
**P/N 02014**



**MODELS A & B**  
**MEASURING**  
**CHAMBER/LOWER HOUSING**  
**ASSEMBLY FOR**  
**SERIES S RATIO:FEEDER®**  
**P/N 02006 w/Noryl chamber or**

