



**STRUTTURA**

**STRUCTURE**

**STRUCTURE**

**STRUKTUR**

**G4**



Struttura

**G4**

Modello / Model / Modèle / Model

**Tutti / All / Tous / Allen**

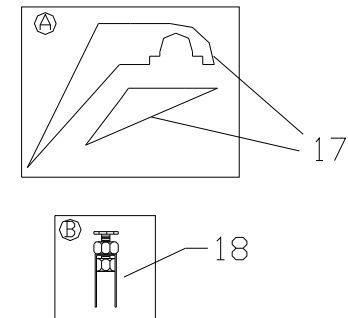
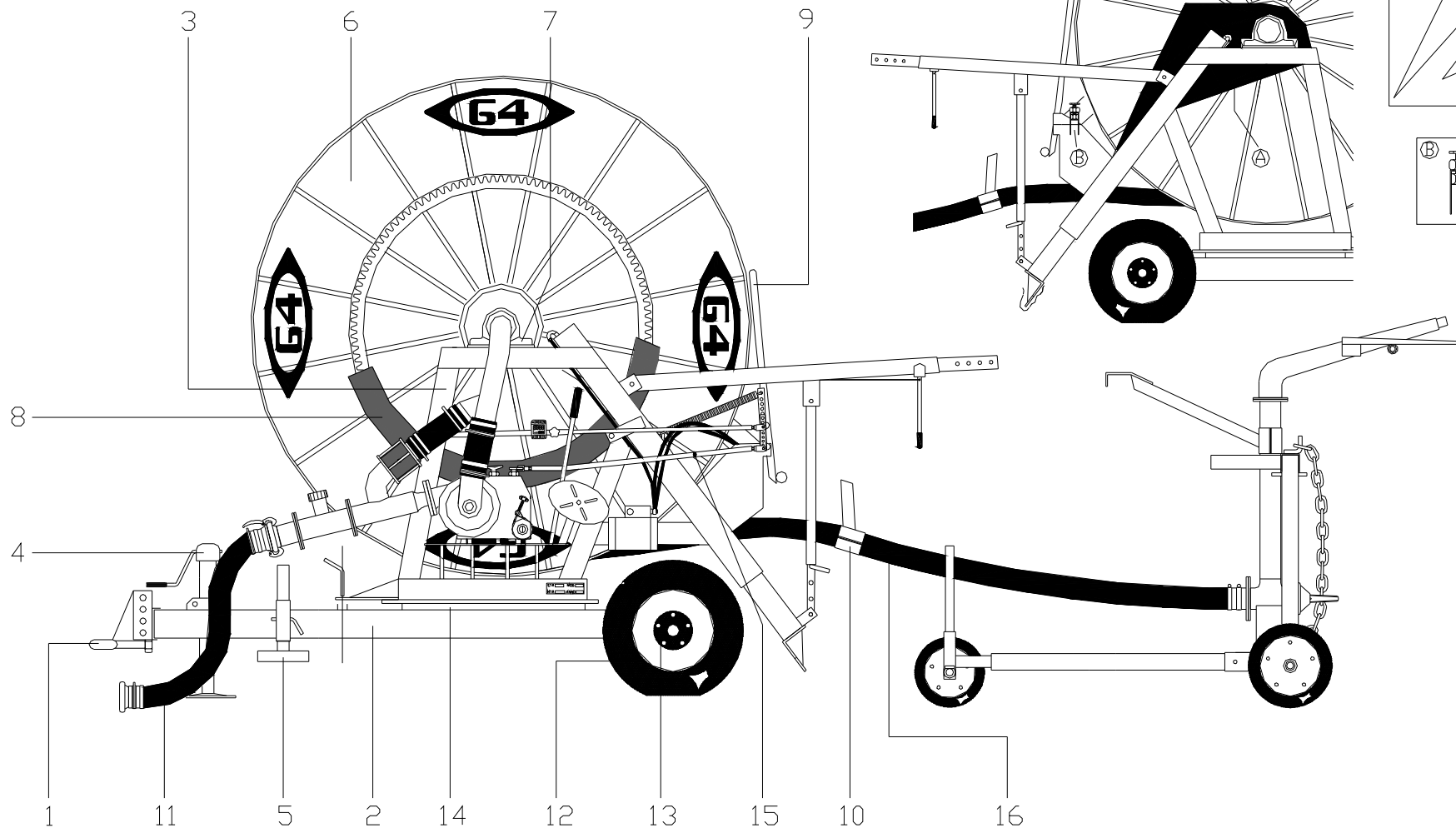
Particolare / Part / Part / Einzelheit

**TELAIO COMPLETO / COMPLETE FRAME**

**CHASSIS COMPLET / KOMPL. RAHMEN**

LATO TURBINA TURBINE SIDE  
COTE TURBINE TURBINENSEITE

LATO CATENA CHAIN SIDE  
COTE CHAINE KETTENSEITE





Struttura

**G4**

Modello / Model / Modèle / Model

**Tutti / All / Tous / Allen**

Particolare / Part / Part / Einzelheit

**TELAIO COMPLETO / COMPLETE FRAME**

**CHASSIS COMPLET / KOMPL. RAHMEN**

Fig.	Cod.	Q.tà	Descrizione	Description	Description	Beschreibung	Applicazione Application Applikation
1	50-01-00182	1	Occhione	Tow-eye	Tête d'attelage	Zugöse	
2	50-01-00563	1	Telaio inferiore	Bottom frame	Châssis inférieur	Unterrahmen	
3	50-01-00562	1	Telaio superiore	Up frame	Châssis supérieur	Überrahmen	
4	50-01-00186	1	Piedino alza timone 70x600	Tow-bar staker leg 70x600	Béquille sur timon 70x600	Zugschaft 70x600	
5	50-01-00192	2	Piedino per ala	Boom staker leg	Béquilles pour rampe arrosage	Zugschaft für Düsenwagen	
6	50-01-00581	1	Rullo mod.4	Drum mod.4	Bobine mod.4	Trommel mod.4	82/400-82/420-90/350-90/380-90/400-100/320-100/350-100/370
6	50-01-00582	1	Rullo mod. 4.1	Drum mod. 4.1	Bobine mod. 4.1	Trommel mod. 4.1	90/420-100/400
6	50-01-00583	1	Rullo mod. 4.2	Drum mod. 4.2	Bobine mod. 4.2	Trommel mod. 4.2	90/440-110/270-110/300
6	50-01-00584	1	Rullo mod. 4.3	Drum mod. 4.3	Bobine mod. 4.3	Trommel mod. 4.3	120/230-125/220
6	50-01-00585	1	Rullo mod. 4.4	Drum mod. 4.4	Bobine mod. 4.4	Trommel mod. 4.4	120/270
6	50-01-00586	1	Rullo mod. 4.5	Drum mod. 4.5	Bobine mod. 4.5	Trommel mod. 4.5	110/340
7	50-01-00235	1	Supporto UCP 218	UCP 218 support	Palier UCP 218	UCP 218 Stehlager	
8	50-01-00330	1	Protezione corona	Crown guard	Protection couronne	Zahnkranz Gehäuse	
9	50-01-00198	1	Snodo barra	Bar joint	Articulation barre débrayage	Abschaltbügel	
10	50-01-00203	1	Staffa fine corsa	Knock-off stirrup	Etrier débrayage	Abschaltvorrichtung	Ø75-82
10	50-01-00204	1	Staffa fine corsa	Knock-off stirrup	Etrier débrayage	Abschaltvorrichtung	Ø90-100
10	50-01-00205	1	Staffa fine corsa	Knock-off stirrup	Etrier débrayage	Abschaltvorrichtung	Ø110-120
10	50-01-00206	1	Staffa fine corsa	Knock-off stirrup	Etrier débrayage	Abschaltvorrichtung	Ø125-140
11	50-01-00605	1	Manichetta flessibile 108x100	Flexible hose 108x100	Tuyau flexible 108x100	Anspeisschlauch 108x100	
12	50-01-00269	2	Ruota 10.0/75-15.3 pr8 5F	Wheel 10.0/75-15.3 pr8 5F	Roue 10.0/75-15.3 pr8 5F	Rad 10.0/75-15.3 pr8 5F	
13	50-01-00287	2	Mozzo Ø50 5F L400	Hub Ø50 5F L400	Moyeu Ø50 5F L400	Steckachse Ø50 5F L400	
14	50-01-00443	1	Ralla 1000 PU	Turn table 1000 PU	Tourelle 1000 PU	Drehkranz 1000 PU	
15	50-01-00211	1	Leva disinnesto riduttore	Gearbox release lever	Levier débrayage réducteur	Getriebe Abschaltungshebel	
16		1	Tube PE media densità*	Medium density PE hose *	Tuyau en PE médium densité *	PE Rohr *	
17	50-01-00695	1	Protezione catena	chain protection	protection chaîne	Kettenschutz	
18	50-01-00699	1	Battuta carica carrello	trolley lifter stop point	point d'arrêt du charge-chariot	Anschlag Hebevorrichtung	

\* Comunicare modello e matricola della macchina / State machine model and serial number / Spécifier modèle et numéro de série de la machine / Modell und Matrikelnummer der Maschine spezifizieren



Struttura

**G4**

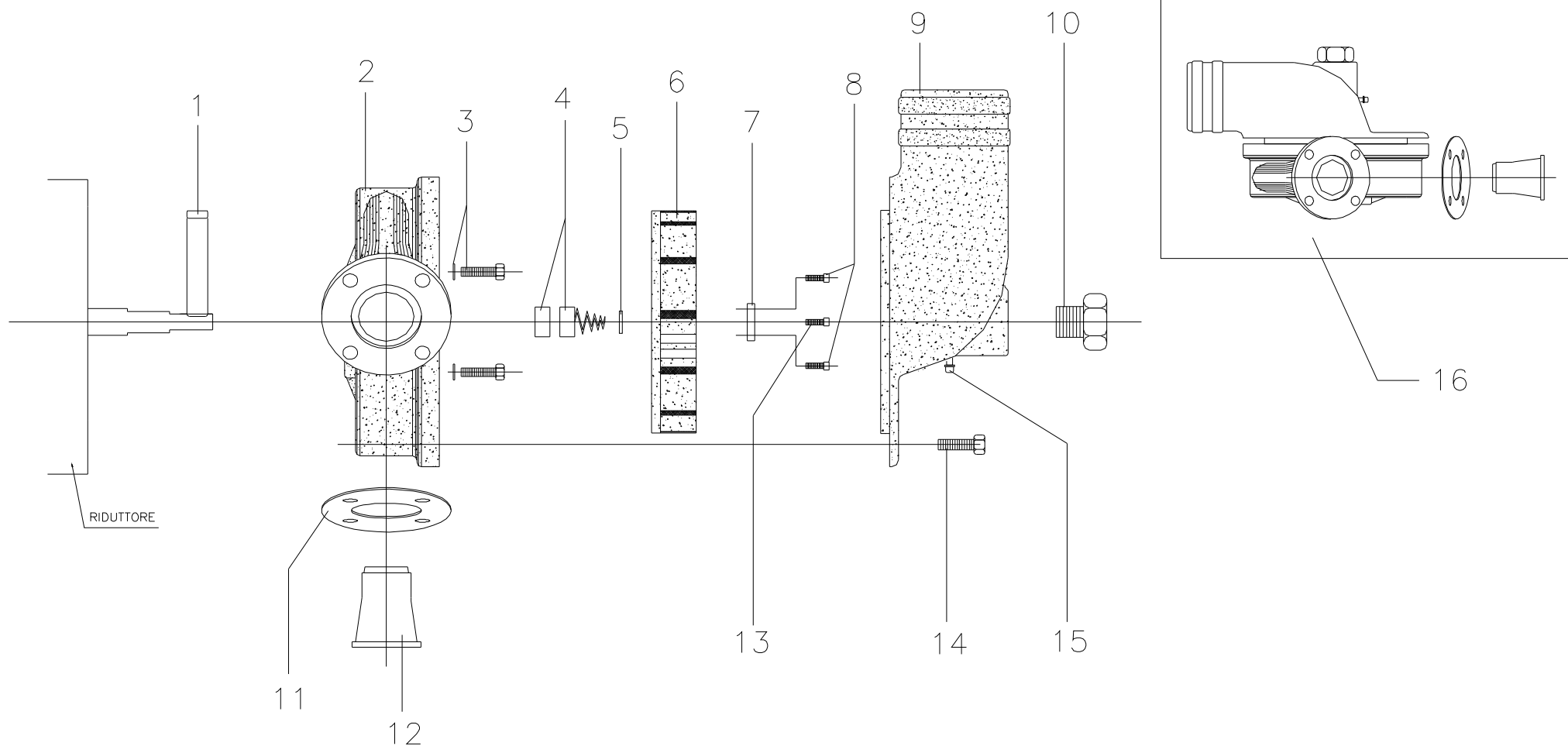
Modello / Model / Modèle / Model

**Tutti / All / Tous / Allen**

Particolare / Part / Part / Einzelheit

**TURBINA DIRETTA 195-80 / DIRECT TURBINE 195-80**

**TURBINE DIRECTE 195-80 / DIREKTTURBINE 195-80**





Struttura

**G4**

Modello / Model / Modèle / Model

**Tutti / All / Tous / Allen**

Particolare / Part / Part / Einzelheit

**TURBINA DIRETTA 195-80 / DIRECT TURBINE 195-80**

**TURBINE DIRECTE 195-80 / DIREKTTURBINE 195-80**

Fig.	Cod.	Q.tà	Descrizione	Description	Description	Beschreibung	Applicazione Application Applikation
1	50-01-00084	1	Chiavetta 5x5x16	Key 5x5x16	Clef 5x5x16	Schlüssel 5x5x16	
2	50-01-00061	1	Cassa turbina 195	Turbine box 195	Caisse turbine 195	Turbinengehäuse 195	
3	50-01-00090	4	Vite 8x35 T.C.E.I. + rondella in rame	Screw 8x35 T.C.E.I. + washer	Vis 8x35 T.C.E.I. + rondelle	Schraube 8x35 T.C.E.I. + Scheibe	
4	50-01-00072	1	Tenuta Roten 195 Ø16	Roten seal 195 Ø16	Joint Roten 195 Ø16	Roten Gleitringdichtung 195 Ø16	
5	50-01-00075	1	Spessore 15x21x1,2	Washer 15x21x1,2	Epaisseur 15x21x1,2	Ring 15x21x1,2	
6	50-01-00064	1	Girante 195	Impeller 195	Roue tournante 195	Turbinenlaufrad 195	
7	50-01-00085	1	Fermo 195	Catch 195	Arrêt 195	Halter 195	
8	50-01-00087	2	Vite 6x20 T.C.E.I.	Screw 6x20 T.C.E.I.	Vis 6x20 T.C.E.I.	Schraube 6x20 T.C.E.I.	
9	50-01-00069	1	Coperchio turbina 195/80	Turbine guard 195/80	Protection turbine 195/80	Lagerdeckel i. Gehäuse 195/80	
10	50-01-00079	1	Tappo in ottone 195-260	Cap 195-260	Bouchon 195-260	Kupferschraube 195-260	
11	50-01-00100	1	Guarnizione ugello turbina 195	Turbine nozzle gasket 195	Joint pour buse turbine 195	Turbinendüsedichtung 195	
12	50-01-00094	1	Boccaglio turbina Ø22	Turbine nozze Ø22	Buse turbine Ø22	Turbinendüse Ø22	Ø82-90
12	50-01-00095	1	Boccaglio turbina Ø24	Turbine nozze Ø24	Buse turbine Ø24	Turbinendüse Ø24	Ø100-110-120-125
13	50-01-00088	1	Vite 6x25 T.C.E.I. + rondella dentata	Screw 6x25 T.C.E.I. + toothed washer	Vis 6x25 T.C.E.I. +rondelle	Schraube 6x25 T.C.E.I. + Scheibe	
14	50-01-00089	9	Vite 10x35 T.C.E.I. rondella Ø10	Screw 10x35 T.C.E.I. + washer M10	Vis 10x35 T.C.E.I. +rondelle M10	Schraube 10x35 T.C.E.I. + Scheibe M10	
15	50-01-00081	1	Valvola di scarico 1/4"	Outlet valve 1/4"	Vanne de décharge 1/4"	Unterdruckabschaltventil 1/4"	
16	50-01-00106	1	Turbina completa mod. 195/80	Complet turbine mod. 195/80	Turbine complète mod. 195/80	Turbine kompl. Mod. 195/80	



Struttura

**G4**

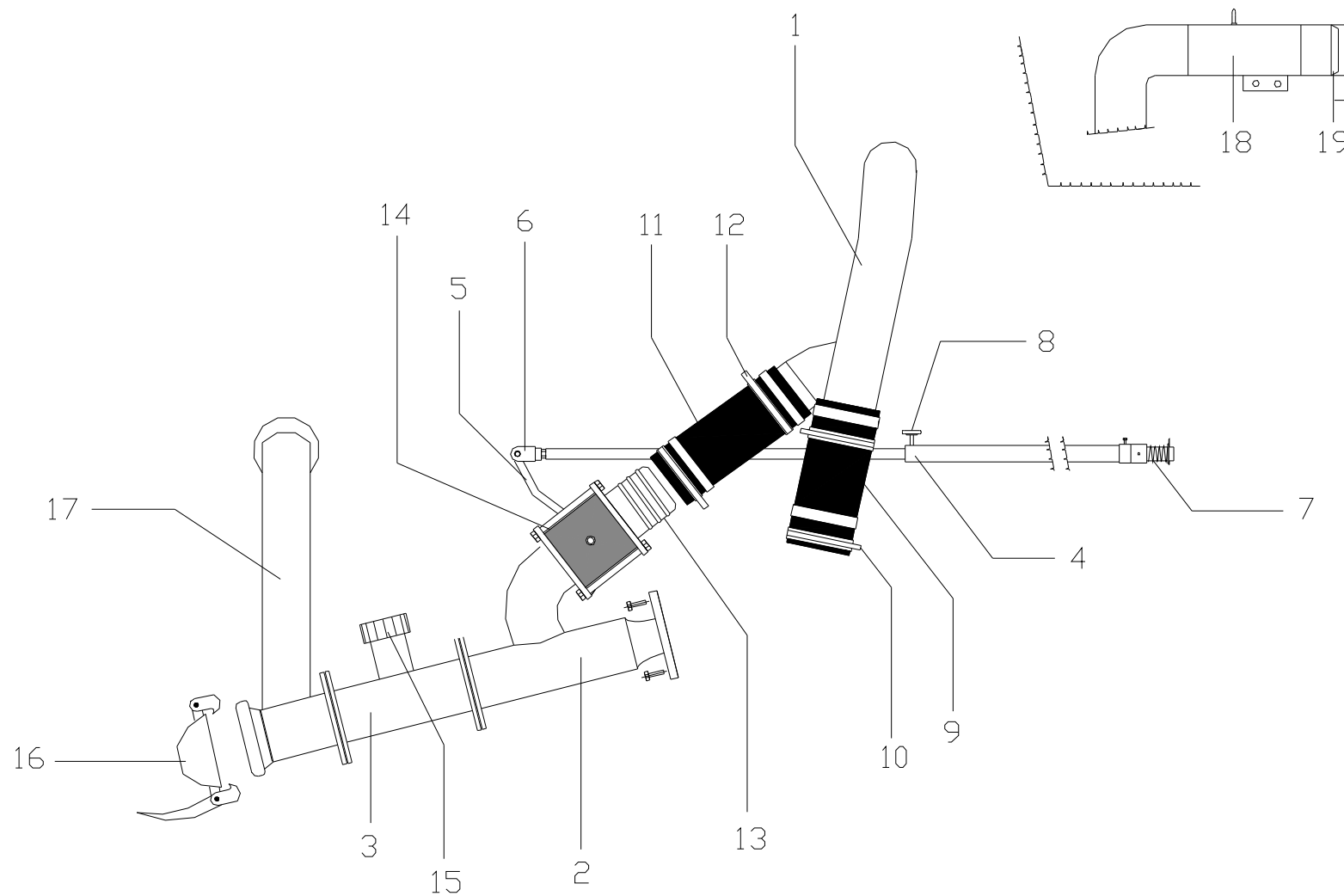
Modello / Model / Modèle / Model

**Tutti / All / Tous / Allen**

Particolare / Part / Part / Einzelheit

**PERCORSO ACQUA / WATER PIPEWORK**

**PARCOURS de l'EAU / EINLAUFVERROHRUNG**





Struttura

**G4**

Modello / Model / Modèle / Model

**Tutti / All / Tous / Allen**

Particolare / Part / Part / Einzelheit

**PERCORSO ACQUA / WATER PIPEWORK**

**PARCOURS de l'EAU / EINLAUFVERROHRUNG**

Fig.	Cod.	Q.tà	Descrizione	Description	Description	Beschreibung	Applicazione Application Applikation
1	50-01-00006	1	Percorso acqua sopraturbina	Pipe work up	Parcours de l'eau sur turbine	Verrohrung über Turbine	
2	50-01-00016	1	Percorso acqua sottoturbina	Pipe work bottom	Parcours de l'eau sous turbine	Verrohrung unter Turbine	
3	50-01-00022	1	Tronchetto percorso acqua	Pipe work section	Section du parcours de l'eau	Verrohrungsstrecke	
4	50-01-00220	1	Leva regolatore by-pass	By-pass adjusting lever	Levier régulateur by-pass	By-pass Verstellbarhebel	
5	50-01-00225	1	Regolatore By-pass	By-pass adjuster	Régulateur By-pass	By-pass Verstellung	
6	50-01-00255	1	Forcella Ø8 lunga con serraggio	Fork Ø8	Fourchette Ø8	Gabel Ø8	
7	50-01-00293	1	Molla con pos-85	Spring	Ressort	Feder	
8	50-01-00296	1	Pomello Ø40 8x15	Hand-grip Ø40 8x15	Bouton Ø40 8x15	Knopf Ø40 8x15	
9	50-01-00050	mt 0,30	Tubo in gomma Ø100	Rubber hose Ø100	Tuyau en caoutchouc Ø100	Schlauch Ø100	
10	50-01-00250	4	Fascette 104x112	Clamp 104x112	Bande 104x112	Schelle 104x112	
11	50-01-00048	mt 0,30	Tubo in gomma Ø90	Rubber hose Ø90	Tuyau en caoutchouc Ø90	Schlauch Ø90	
12	50-01-00249	4	Fascette 98x103	Clamp 98x103	Bande 98x103	Schelle 98x103	
13	50-01-00028	1	Tronchetto portagomma flangiato	Flanged section fitting	Section joint flangé	Schlauchanschlussstrecke geflanscht	
14	50-01-00056	1	Valvola by-pass 3"	By-pass valve 3"	Vanne by-pass 3"	By-pass Ventil 3"	
15	50-01-00052	1	Tappo esagonale Ø60	Hexagonal cap Ø60	Bouchon hexagonal Ø60	Sechseckig Kupfer Ø60	
16	50-01-00520	1	Tappo Bauer Ø108	Bauer cap Ø108	Bouchon Bauer Ø108	Bauer Kupfer Ø108	
17	50-01-00019	1	Traversa percorso acqua	Pipe work crossbar	Traverse du parcours de l'eau	Kreuzstange Verrohrung	
18	50-01-00034	1	Tenuta acqua Ø90	Seal-pipe Ø90	Tube à étanche d'eau Ø90	Dichtungsrohr Ø90	
19	50-01-00042	1	Guarnizione LOM+OR 847 Ø90	LOM+OR gasket 847 Ø90	Garniture LOM+OR 847 Ø90	LOM+OR Dichtung 847 Ø90	



Struttura

**G4**

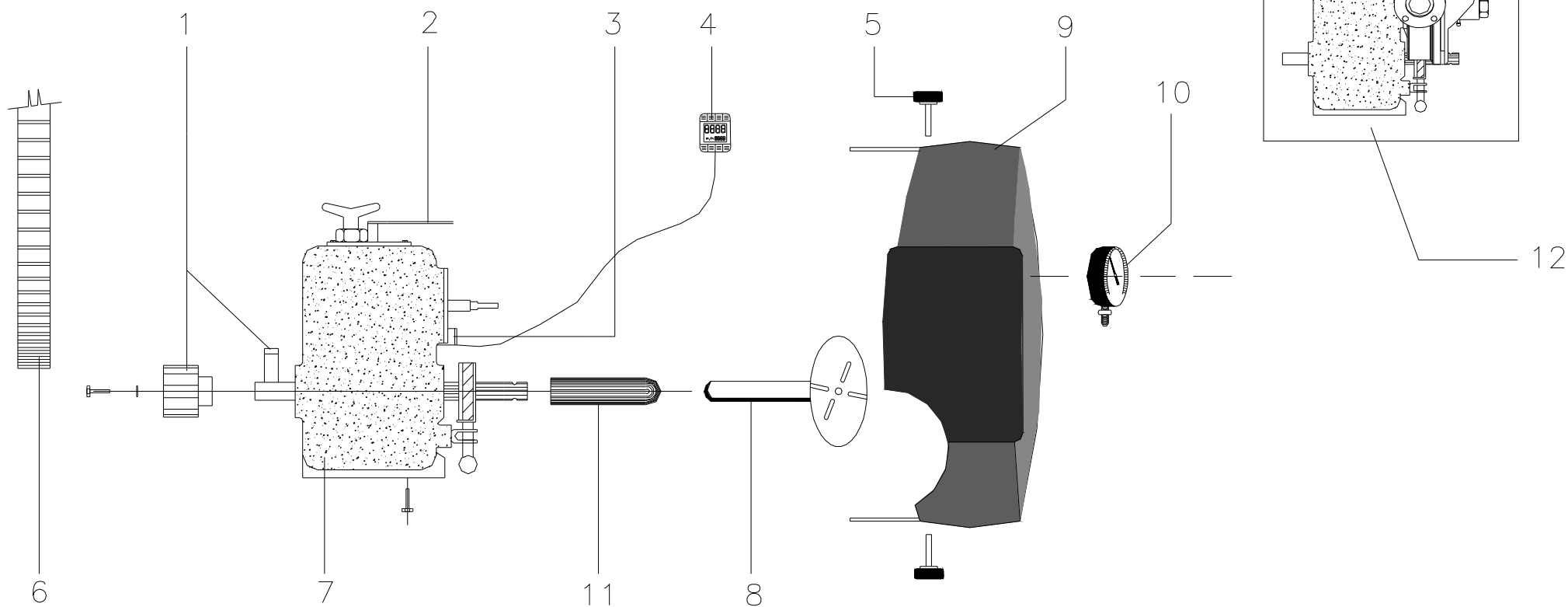
Modello / Model / Modèle / Model

**Tutti / All / Tous / Allen**

Particolare / Part / Part / Einzelheit

**ACCOPIAMENTO RIDUTTORE - CORONA DENTATA / GEARBOX - TOOTHED CROWN ASSEMBLY**

**GROUP REDUCTEUR - COURONNE / GETRIEBE-KEILRIEMENSCH. - ZAHNKRANZ AGGREGAT**







Struttura

**G4**

Modello / Model / Modèle / Model

**Tutti / All / Tous / Allen**

Particolare / Part / Part / Einzelheit

**ACCOPIAMENTO RIDUTTORE - CORONA DENTATA / GEARBOX - TOOTHED CROWN ASSEMBLY**

**GROUP REDUCTEUR - COURONNE / GETRIEBE-KEILRIEMENSCH. - ZAHNKRANZ AGGREGAT**

Fig.	Cod.	Q.tà	Descrizione	Description	Description	Beschreibung	APPLICAZIONE APPLICATION APPLIKATION
1	50-01-00311	1	Pignone con chiavetta Z11 M7 Ø32	Pinion with key Z11 M7 Ø32	Pignon avec clef Z11 M7 Ø32	Antriebzahnrad Z11 M7 Ø32	
2	50-01-00224	1	Disinnesto riduttore	Gearbox release	Débrayage réducteur	Getriebe Abschaltung	
3	50-01-00335	1	Magnete con blocco in PVC	Magnet with PVC block	Aimant avec bloc en PVC	Magnet mit PVC Block	
4	50-01-00336	1	Contametri digitale	Digital counter-meters	Compte-metres digital	Digital Meterzähler	
5	50-01-00296	3	Pomello Ø40 8x15	Hand-grip Ø40 8x15	Bouton Ø40 8x15	Knopf Ø40 8x15	
6	50-01-00321	1	Corona dentata 1850	Toothed crown 1850	Couronne 1850	Zahnkranz 1850	
7	50-01-00304	1	Riduttore D-745 4 velocità	Gearbox D-745 4 speed	Réducteur D-745 4 vitesses	Getriebe D-745 4 Geschwind.	
8	50-01-00337	1	Volantino	Hand wheel	Volant	Handrad	
9	50-01-00334	1	Protezione turbina	Turbine guard	Protection turbine	Turbinegehäuse	
10	50-01-00339	1	Manometro alla glicerina	Manometer	Manomètre	Manometer	
11	50-01-00338	1	Cappuccio PDF	Pto cap	Capuchon prise de forse	Haube	
12	50-01-00678	1	Turboriduttore	Gearbox+turbine	Réducteur+turbine	Getriebe+Turbine	



Struttura

**G4**

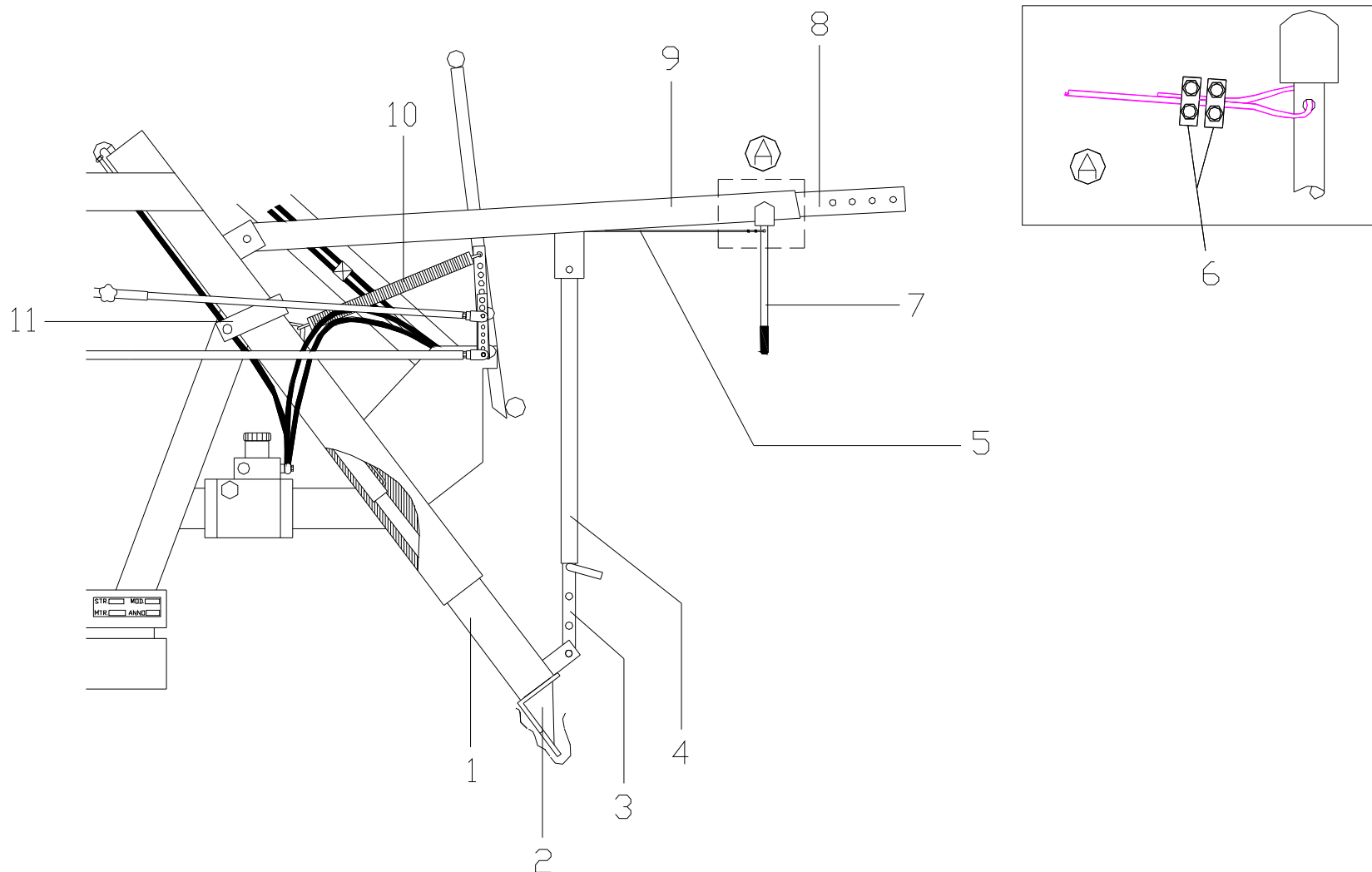
Modello / Model / Modèle / Model

**Tutti / All / Tous / Allen**

Particolare / Part / Part / Einzelheit

**ANCORAGGIO E SOLLEVAMENTO CARRELLO / TROLLEY FIXING AND LIFTING**

**MOUILLAGE ET CHARGEMENT CHARIOT / STATIVVERANKERUNG UND HEBEN**





Struttura

**G4**

Modello / Model / Modèle / Model

**Tutti / All / Tous / Allen**

Particolare / Part / Part / Einzelheit

**ANCORAGGIO E SOLLEVAMENTO CARRELLO / TROLLEY FIXING AND LIFTING**

**MOUILLAGE ET CHARGEMENT CHARIOT / STATIVVERANKERUNG UND HEBEN**

Fig.	Cod.	Q.tà	Descrizione	Description	Description	Beschreibung	Applicazione Application Applikation
1	50-01-00342	2	Sfilabile interno di stazionamento	Internal staker leg	Béquille intérieure	Zugshaftinnenseite	
2	50-01-00346	2	Vanghetta	Spade	Bêche	Spaten	
3	50-01-00349	2	Sfilabile verticale interno	Vertical internal leg	Béquille intérieure verticale	Zugshaftinnenseite vertikal	
4	50-01-00350	2	Sfilabile verticale esterno	Vertical external leg	Béquille extérieure verticale	Zugshaftaussenseite vertikal	
5	50-01-00370	mt 5	Cavo in acciaio Ø5	Steel cable Ø5	Câble en acier Ø5	Stahlkabel Ø5	
6	50-01-00371	2	Morsetto ferma cavo	Cable fixing clamp	Serre-fils pour câble	Kabelklammer	
7	50-01-00351	1	Leva rotazione	Rotation lever	Levier rotation	Umlaufhebel	
8	50-01-00356	1	Carica carrello interno	Internal trolley lifter	Chargeur du chariot intérieur	Innenhebevorrichtung	
9	50-01-00357	1	Carica carrello esterno	External trolley lifter	Chargeur du chariot extérieur	Außenhebevorrichtung	
10	50-01-00292	1	Molla 200x38x4	Spring 200x38x4	Ressort 200x38x4	Feder 200x38x4	
11	50-01-00363	1	Cricchetto	Jack	Cric	Sperrklinke	



Struttura

**G4**

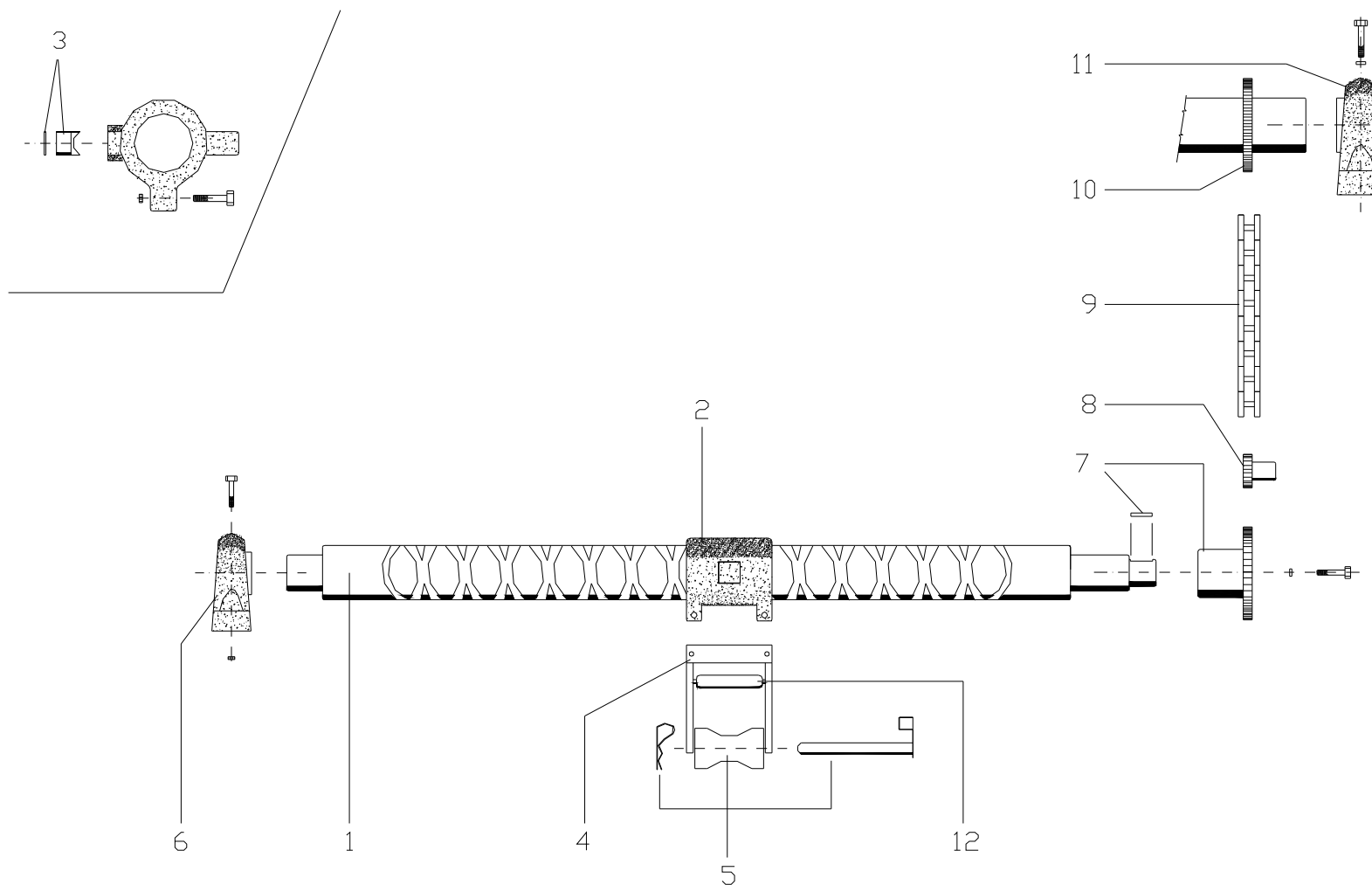
Modello / Model / Modèle / Model

**Tutti / All / Tous / Allen**

Particolare / Part / Part / Einzelheit

**BARRA di SCORRIMENTO / SLIDING BAR**

**BARRE de ECOULEMENT / GLEITUNGSTANGE**





Struttura

**G4**

Modello / Model / Modèle / Model

**Tutti / All / Tous / Allen**

Particolare / Part / Part / Einzelheit

**BARRA di SCORRIMENTO / SLIDING BAR**

**BARRE de ECOULEMENT / GLEITUNGSTANGE**

Fig.	Cod.	Q.tà	Descrizione	Description	Description	Beschreibung	Applicazione Application Applikation
1	50-01-00111	1	Barra di scorrimento L 1395	Sliding bar L 1395	Barre d'écoulement L 1395	Gleitungsstange L 1395	
2	50-01-00117	1	Blocco di scorrimento	Sliding block	Bloc d'écoulement	Gleitungsblock	
3	50-01-00121	1	Nottolino Ø 40 mod. 1	Pawl Ø 40 mod. 1	Taquet Ø 40 mod. 1	Klinke Ø 40 Mod. 1	
4	50-01-00140	1	Supporto entrata tubo PE	PE hose inlet support	Palier entrée tuyau PE	Spulwagenrahmen	Ø82-90-100-110
4	50-01-00141	1	Supporto entrata tubo PE	PE hose inlet support	Palier entrée tuyau PE	Spulwagenrahmen	Ø120-125
5	50-01-00127	1	Rocchetto in nylon	Nylon reel	Bobine en nylon	Nylon Spule	
6	50-01-00229	2	Supporto UCP 207	UCP 207 support	Palier UCP 207	UCP 207 Stehlager	
7	50-01-00177	1	Pignone 5/8 Z16 Ø30	Pinion 5/8 Z16 Ø30	Pignon 5/8 Z16 Ø30	Kettenrad 5/8 Z16 Ø30	Ø82
7	50-01-00175	1	Pignone 5/8 Z14 Ø30	Pinion 5/8 Z14 Ø30	Pignon 5/8 Z14 Ø30	Kettenrad 5/8 Z14 Ø30	Ø90-110-125
7	50-01-00176	1	Pignone 5/8 Z15 Ø30	Pinion 5/8 Z15 Ø30	Pignon 5/8 Z15 Ø30	Kettenrad 5/8 Z15 Ø30	Ø100
7	50-01-00174	1	Pignone 5/8 Z12 Ø30	Pinion 5/8 Z12 Ø30	Pignon 5/8 Z12 Ø30	Kettenrad 5/8 Z12 Ø30	Ø120
8	50-01-00123	1	Tendicatena 5/8	Chain stretcher 5/8	Tendeur de chaîne 5/8	Kettenspanner 5/8	
9	50-01-00124	mt 3,5	Catena 5/8	Chain 5/8	Chaîne 5/8	Kette 5/8	
10	50-01-00155	1	Corona 5/8 Z29 Ø55	Crown 5/8 Z29 Ø55	Couronne 5/8 Z29 Ø55	Zahnkranz 5/8 Z29 Ø55	Ø82
10	50-01-00154	1	Corona 5/8 Z28 Ø55	Crown 5/8 Z28 Ø55	Couronne 5/8 Z28 Ø55	Zahnkranz 5/8 Z28 Ø55	Ø90
10	50-01-00157	1	Corona 5/8 Z34 Ø55	Crown 5/8 Z34 Ø55	Couronne 5/8 Z34 Ø55	Zahnkranz 5/8 Z34 Ø55	Ø100
10	50-01-00158	1	Corona 5/8 Z35 Ø55	Crown 5/8 Z35 Ø55	Couronne 5/8 Z35 Ø55	Zahnkranz 5/8 Z35 Ø55	Ø110
10	50-01-00156	1	Corona 5/8 Z33 Ø55	Crown 5/8 Z33 Ø55	Couronne 5/8 Z33 Ø55	Zahnkranz 5/8 Z33 Ø55	Ø120
10	50-01-00159	1	Corona 5/8 Z40 Ø55	Crown 5/8 Z40 Ø55	Couronne 5/8 Z40 Ø55	Zahnkranz 5/8 Z40 Ø55	Ø125
11	50-01-00231	1	Supporto UCP 210	UCP 208 support	Palier UCP 208	UCP 208 Stehlager	
12	50-01-00132	1	Rocchetto in ferro Ø32 L110	Iron reel Ø32 L110	Bobine en fer Ø32 L110	Eisenspule Ø32 L110	



Struttura

**G4**

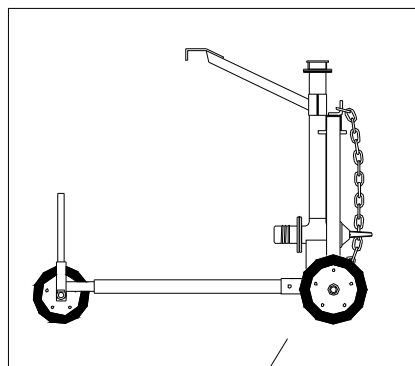
Modello / Model / Modèle / Model

**Ø82 - Ø90 - Ø100**

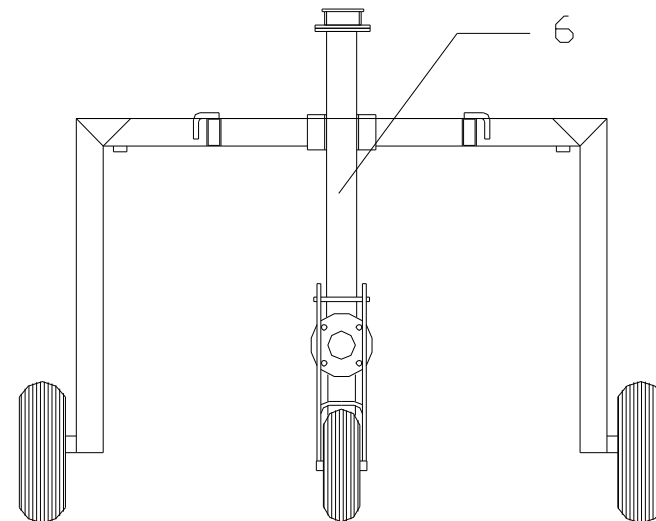
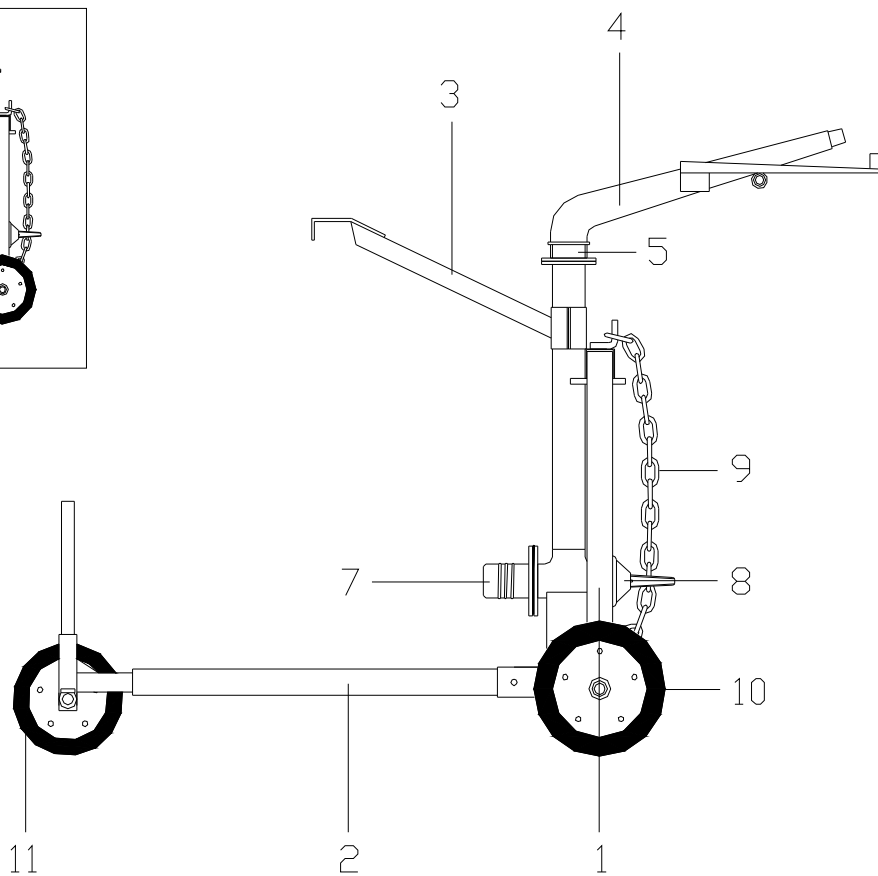
Particolare / Part / Part / Einzelheit

**CARRELLO / TROLLEY**

**CHARIOT / STATIV**



12





Struttura

**G4**

Modello / Model / Modèle / Model

**Ø82 – Ø90 – Ø100**

Particolare / Part / Part / Einzelheit

**CARRELLO / TROLLEY**

**CHARIOT / STATIV**

Fig.	Cod.	Q.tà	Descrizione	Description	Description	Beschreibung	Applicazione Application Applikation
1	50-01-00376	2	Gamba carrello	Trolley leg	Pied du chariot	Stativradhalter	
2	50-01-00394	1	Slitta carrello	Trolley slide	Traîneau du chariot	Stativschlitten	
3	50-01-00397	1	Gancio di sollevamento carrello	Trolley lifter hook	Crochet pour chargeur du chariot	Hebenvorrichtungshaken	
4	50-01-00611	1	Irrigatore SYNKRO	Sprinkler SYNKRO	Asperseur SYNKRO	Regner SYNKRO	Ø82
4	50-01-00615	1	Irrigatore TWIN 101	Sprinkler TWIN 101	Asperseur TWIN 101	Regner TWIN 101	Ø82
4	50-01-00612	1	Irrigatore RANGER	Sprinkler RANGER	Asperseur RANGER	Regner RANGER	Ø90-100
4	50-01-00616	1	Irrigatore TWIN 140	Sprinkler TWIN 140	Asperseur TWIN 140	Regner TWIN 140	Ø90-100
5	50-01-00417	1	Adattatore PULSAR-SINKRO	PULSAR-SINKRO dapter	Adaptateur PULSAR-SINKRO	Adapter PULSAR-SINKRO	Ø82
5	50-01-00418	1	Adattatore PULSAR-RANGER	PULSAR-RANGER dapter	Adaptateur PULSAR-RANGER	Adapter PULSAR-RANGER	Ø90-100
6	50-01-00384	1	Corpo carrello	Trolley body	Châssis du chariot	Stativmittelrohr	
7	50-01-00400	1	Bocchettone	Trolley knock-off *	Barre de débrayage *	Abschalt Klemmvorrichtung	Ø82
7	50-01-00401	1	Bocchettone	Trolley knock-off *	Barre de débrayage *	Abschalt Klemmvorrichtung	Ø90-100
8	50-01-00519	1	Tappo Bauer Ø89	Bauer cap Ø89	Bouchon Bauer Ø89	Bauer Kupfer Ø89	
9	50-01-00439	mt 1,30	Catena Ø12	Chain Ø12	Chaîne Ø12	Kette Ø12	
10	50-01-00279	2	Ruota carrello 400x100	Trolley wheel 400x100	Roue du chariot 400x100	Stativ Rad 400x100	
11	50-01-00277	1	Ruota slitta 300x85	Slide wheel 300x85	Roue du traîneau 300x85	Schlittenrad 300x85	
12	50-01-00426	1	Carrello completo	Complete trolley	Chariot complète	Stativ kompl.	



Struttura

**G4**

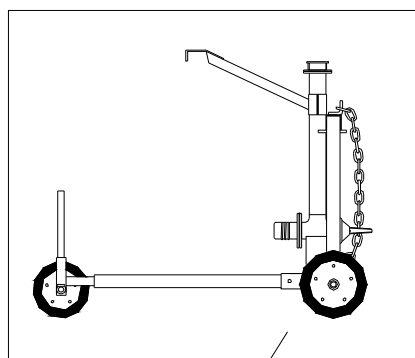
Modello / Model / Modèle / Model

**Ø110 – Ø120 – Ø125**

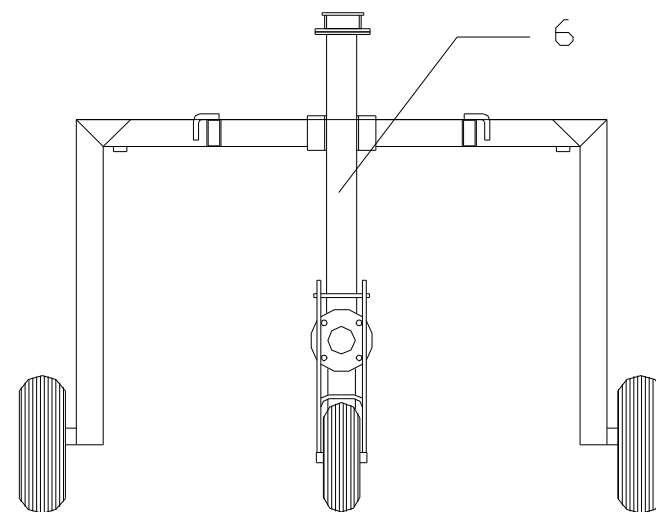
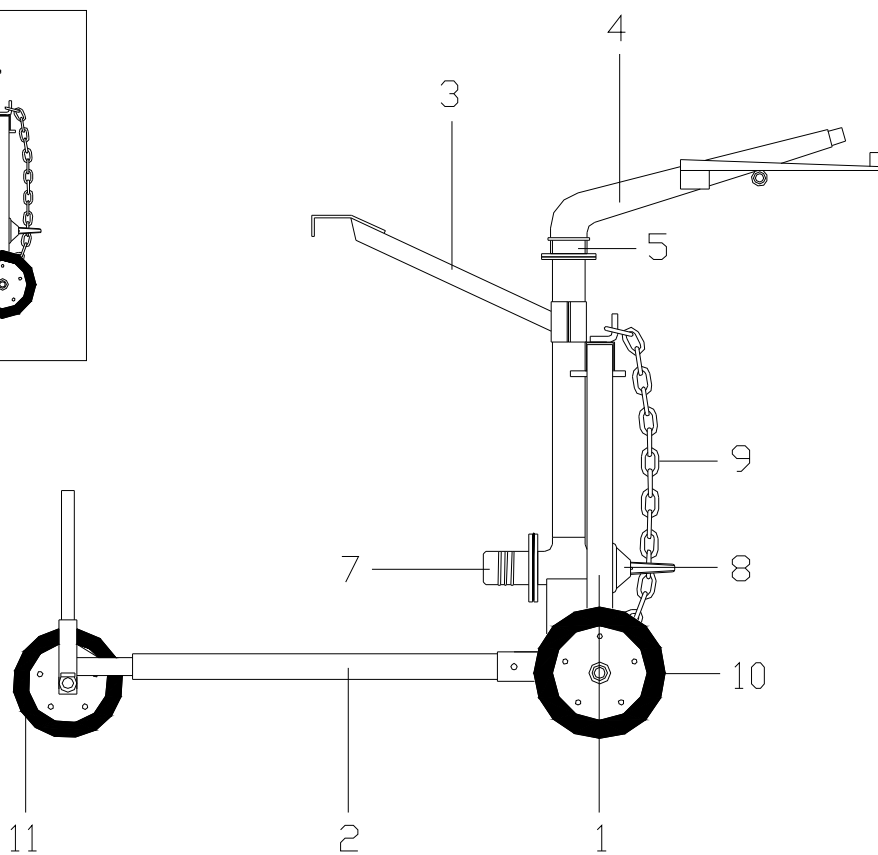
Particolare / Part / Part / Einzelheit

**CARRELLO / TROLLEY**

**CHARIOT / STATIV**



12







Struttura

**G4**

Modello / Model / Modèle / Model

**Ø110 – Ø120 – Ø125**

Particolare / Part / Part / Einzelheit

**CARRELLO / TROLLEY**

**CHARIOT / STATIV**

Fig.	Cod.	Q.tà	Descrizione	Description	Description	Beschreibung	Applicazione Application Applikation
1	50-01-00377	2	Gamba carrello	Trolley leg	Pied du chariot	Stativradhalter	
2	50-01-00395	1	Slitta carrello	Trolley slide	Traineau du chariot	Stativschlitten	
3	50-01-00397	1	Gancio di sollevamento carrello	Trolley lifter hook	Crochet pour chargeur du chariot	Hebenvorrichtungshaken	
4	50-01-00612	1	Irrigatore RANGER	Sprinkler RANGER	Asperseur RANGER	Regner RANGER	Ø110
4	50-01-00617	1	Irrigatore TWIN 160	Sprinkler TWIN 160	Asperseur TWIN 160	Regner TWIN 160	Ø110
4	50-01-00613	1	Irrigatore EXPLORER	Sprinkler EXPLORER	Asperseur EXPLORER	Regner EXPLORER	Ø120-125
4	50-01-00618	1	Irrigatore TWIN 202	Sprinkler TWIN 202	Asperseur TWIN 202	Regner TWIN 202	Ø120-125
5	50-01-00420	1	Adattatore YUPITER-RANGER	YUPITER-RANGER dapter	Adaptateur YUPITER-RANGER	Adapter YUPITER-RANGER	Ø110
5	50-01-00421	1	Adattatore YUPITER-EXPLORER	YUPITER-EXPLORER dapter	Adaptateur YUPITER-EXPLORER	Adapter YUPITER-EXPLORER	Ø120-125
6	50-01-00385	1	Corpo carrello	Trolley body	Châssis du chariot	Stativmittelrohr	
7	50-01-00403	1	Bocchettone	Trolley knock-off *	Barre de débrayage *	Abschalt Klemmvorrichtung	Ø110
7	50-01-00404	1	Bocchettone	Trolley knock-off *	Barre de débrayage *	Abschalt Klemmvorrichtung	Ø120-125
8	50-01-00520	1	Tappo Bauer Ø108	Bauer cap Ø108	Bouchon Bauer Ø108	Bauer Kupfer Ø108	
9	50-01-00439	mt 1,30	Catena Ø12	Chain Ø12	Chaîne Ø12	Kette Ø12	
10	50-01-00278	2	Ruota carrello 516X140	Trolley wheel 516X140	Roue du chariot 516X140	Stativ Rad 516X140	
11	50-01-00280	1	Ruota slitta 400x100 con boccola	Slide wheel 400x100 + bush	Roue du traîneau 400x100 + happe	Schlittenrad 400x100 + Büchse	
12	50-01-00427	1	Carrello completo	Complete trolley	Chariot complète	Stativ kompl.	



Struttura

**G4**

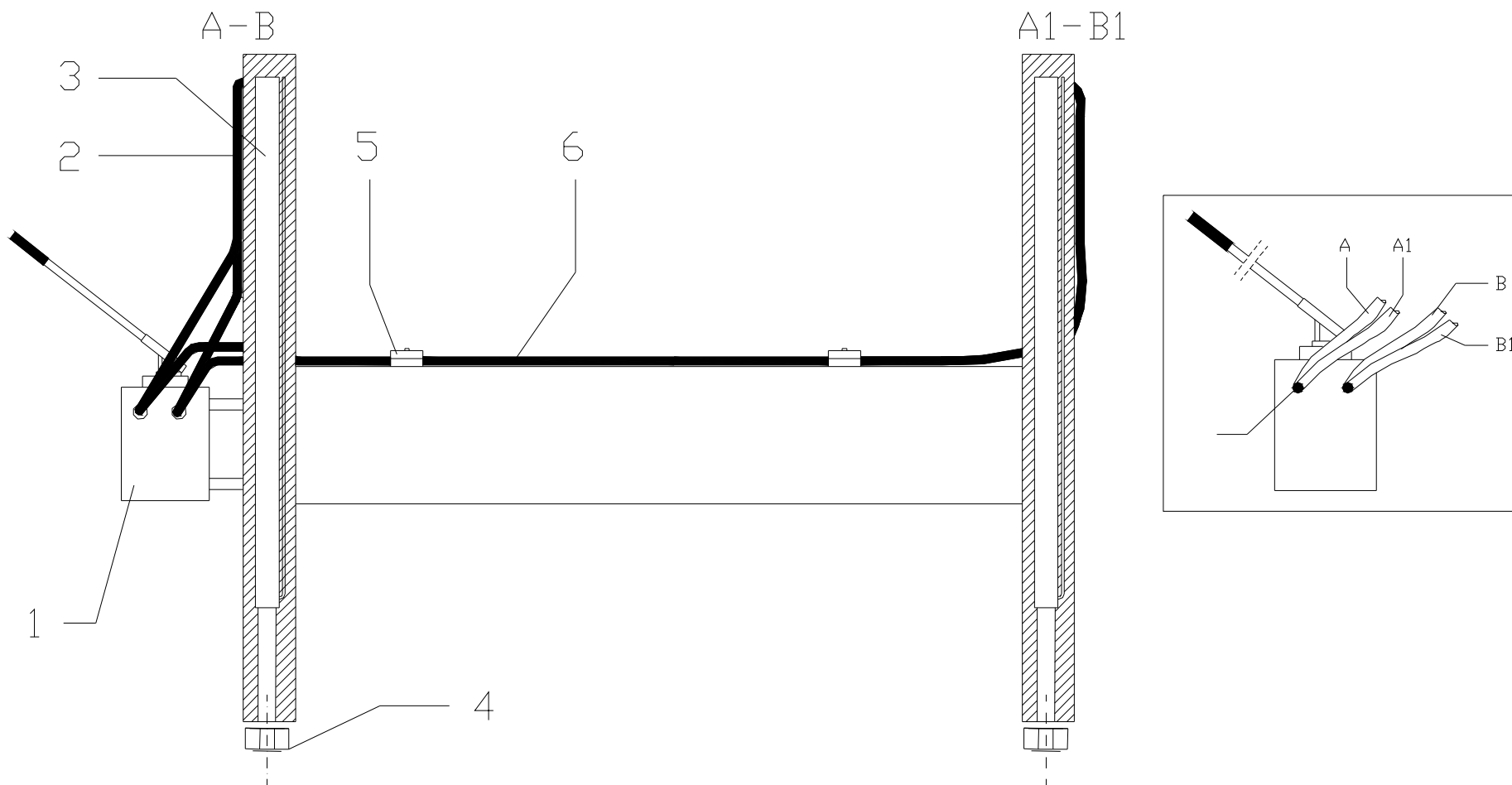
Modello / Model / Modèle / Model

**Tutti / All / Tous / Allen**

Particolare / Part / Part / Einzelheit

**IMPIANTO OLEODINAMICO / HYDRAULIC DEVICE**

**SYSTEME HYDRAULIQUE / HYDRAULISCHE ANLAGE**





Struttura

**G4**

Modello / Model / Modèle / Model

**Tutti / All / Tous / Allen**

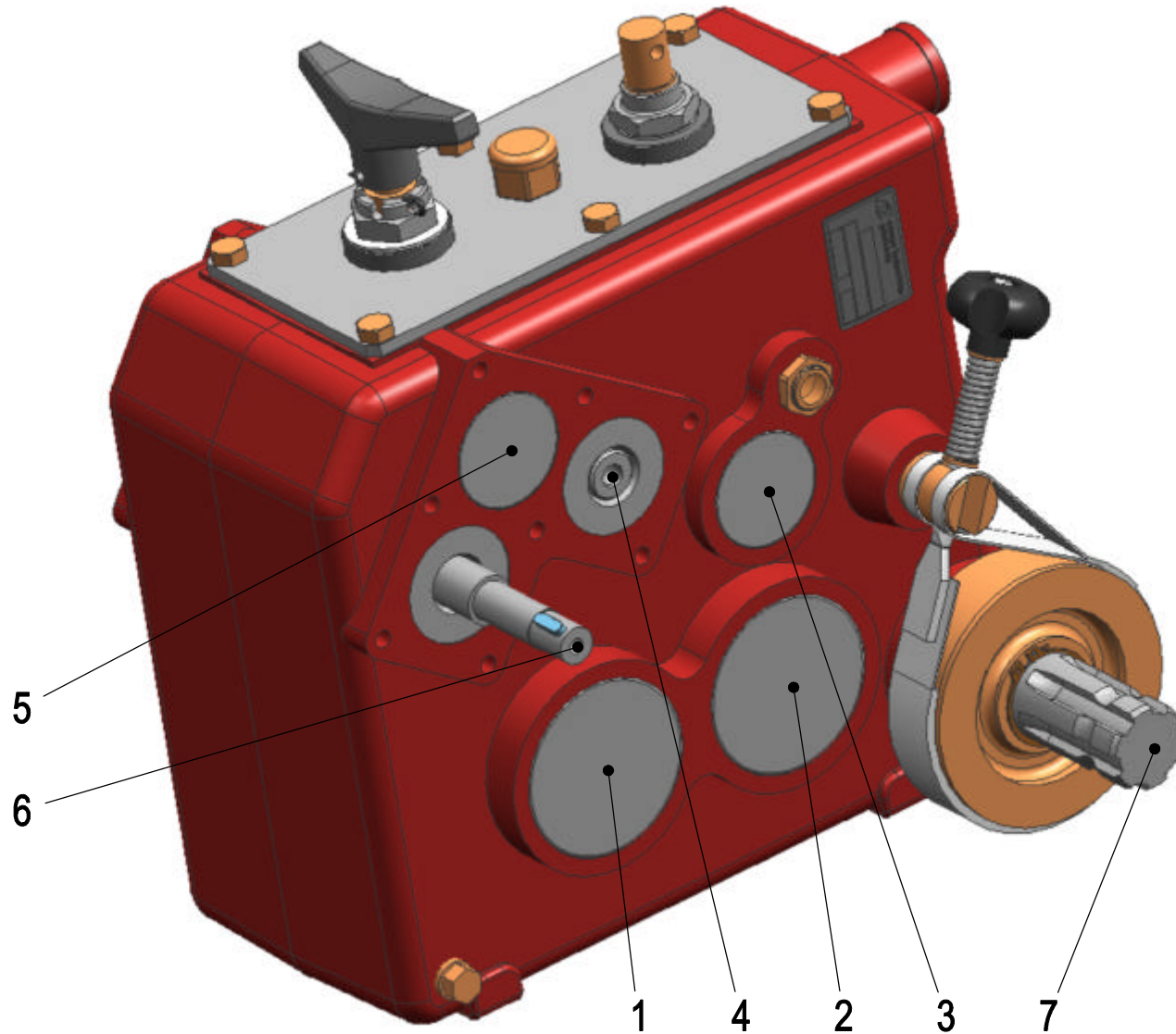
Particolare / Part / Part / Einzelheit

**IMPIANTO OLEODINAMICO / HYDRAULIC DEVICE**

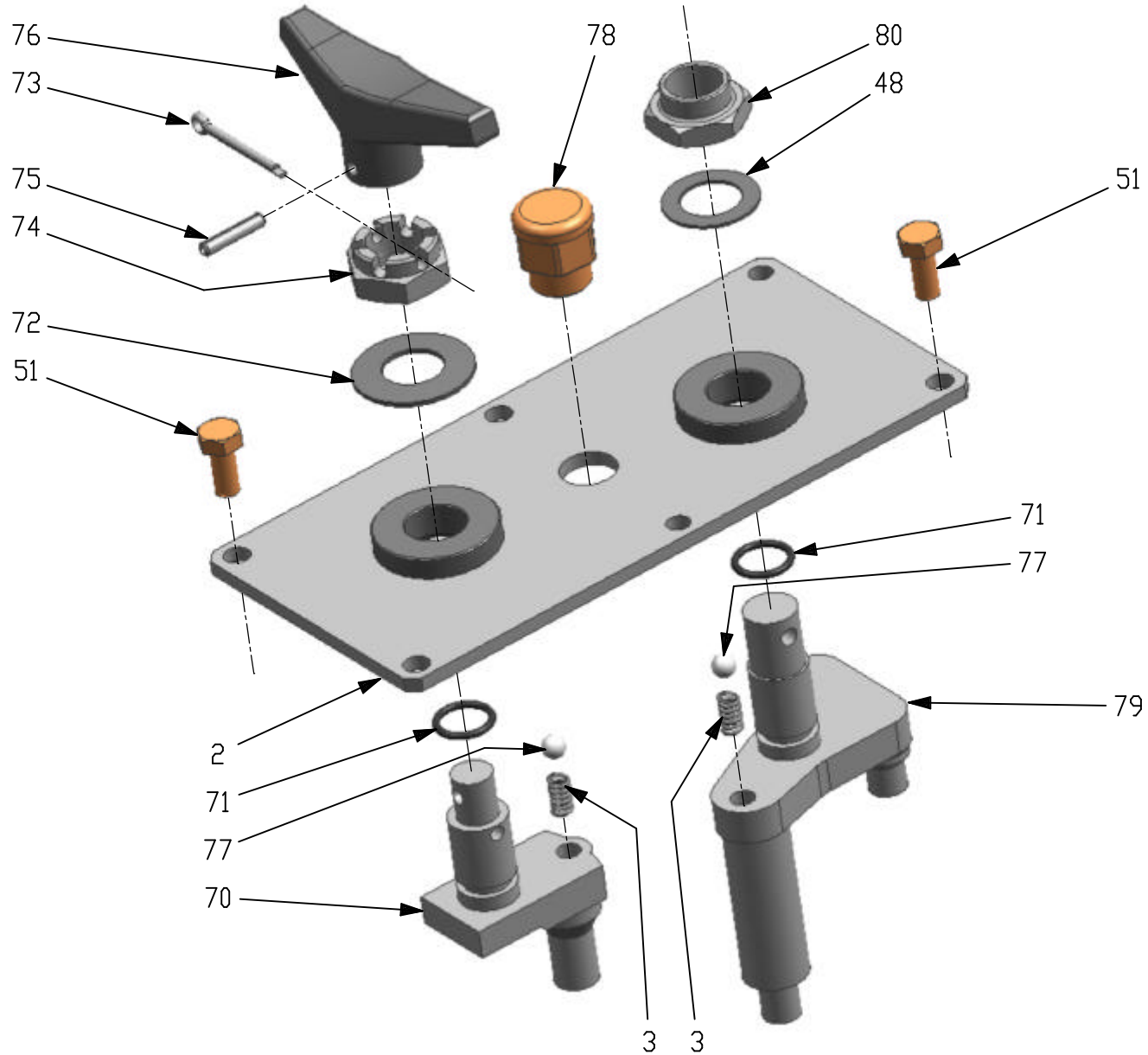
**SYSTEME HYDRAULIQUE / HYDRAULISCHE ANLAGE**

Fig.	Cod.	Q.tà	Descrizione	Description	Description	Beschreibung	Applicazione Application Applikation
1	50-01-00458	1	Pompa idraulica manuale	Manual hydraulic pump	Pompe hydraulique manuelle	Hydraulische Handpumpe	
2	50-01-00622	2	Tubo R7 1/4 - O1/4 + F90° L1200 mm	Hose R7 1/4 - O1/4 + F90° L1200 mm	Tuyau R7 1/4 - O1/4 + F90° L1200 mm	Schlauch R7 1/4 - O1/4 + F90° L1200 mm	
3	50-01-00451	2	Cilindro idraulico Ø35 C1000	Hydraulic cylinder Ø35 C1000	Cylindre hydraulique Ø35 C1000	Hydraulische Zylinder Ø35 C1000	
4	50-01-00077	2	Dado autobloccante Ø14	Self-locking nut Ø14	Ecrou autobloquant Ø14	Selbstbefestigungsm. Ø14	
5	50-01-00536	2	Collare doppio 1/4	Double collar 1/4	Collier double 1/4	Doppelschelle 1/4	
6	50-01-00623	2	Tubo R7 1/4 - O1/4 + F90° L3200 mm	Hose R7 1/4 - O1/4 + F90° L3200 mm	Tuyau R7 1/4 - O1/4 + F90° L3200 mm	Schlauch R7 1/4 - O1/4 + F90° L3200 mm	

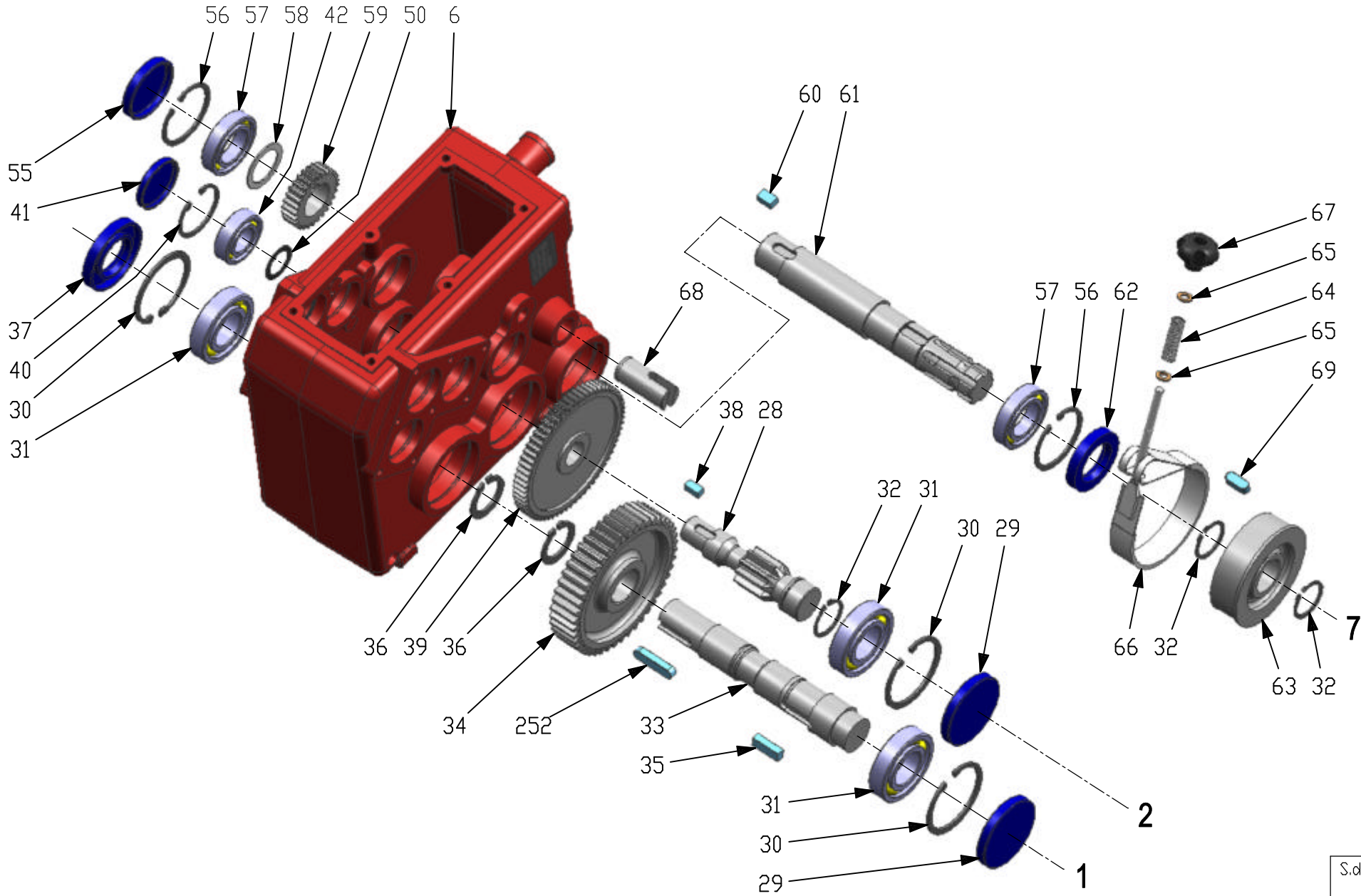
DITTA	RIF.	DENOMINAZIONE D-745 A
	DATA 23-04-2004	CODICE 745.039.30



DITTA	RIF.	DENOMINAZIONE
	DATA	CODICE
	23-04-2004	D-745 A 745.039.30



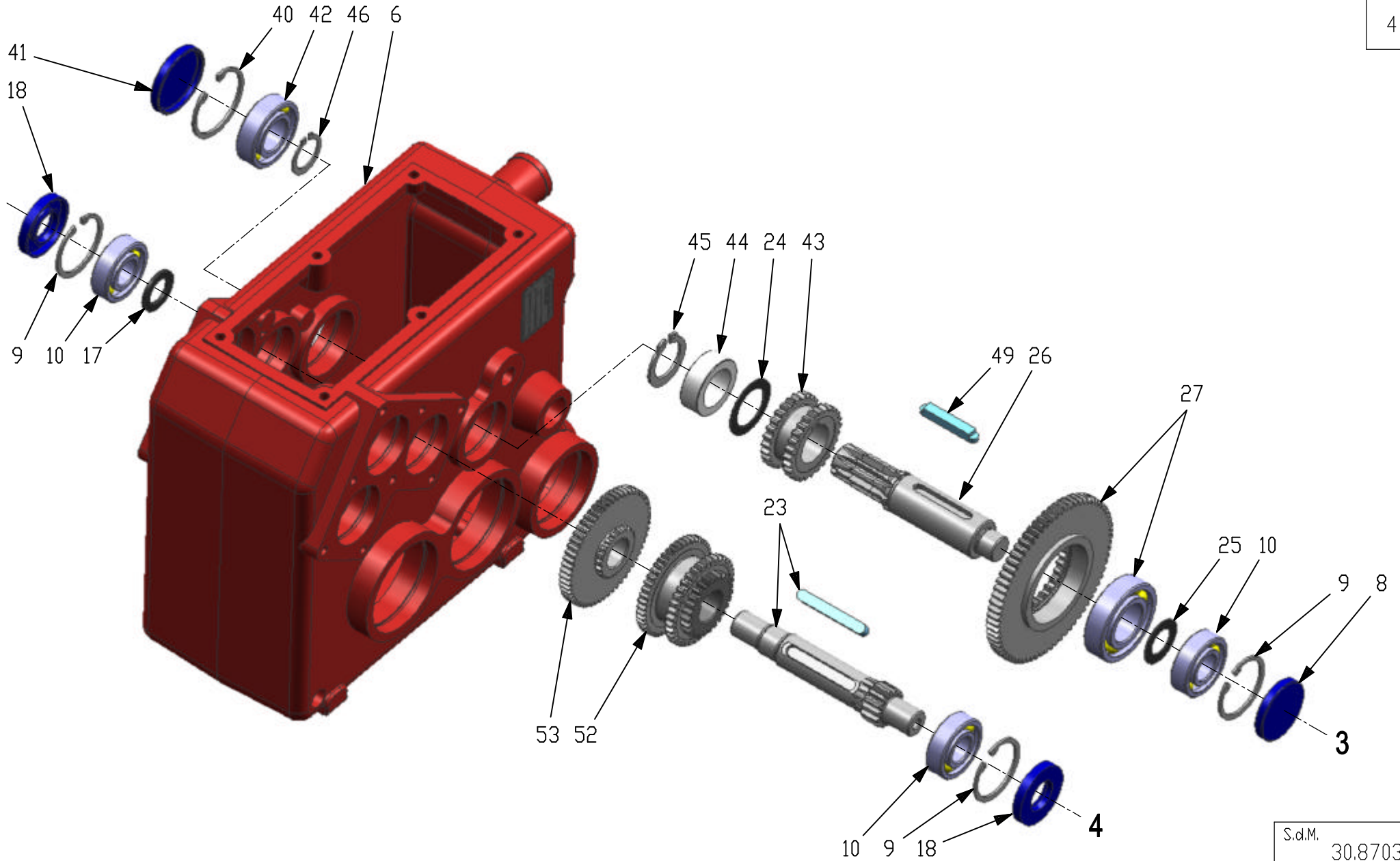
DITTA	RIF.	DENOMINAZIONE D-745 A
	DATA 23-04-2004	CODICE 745.039.30



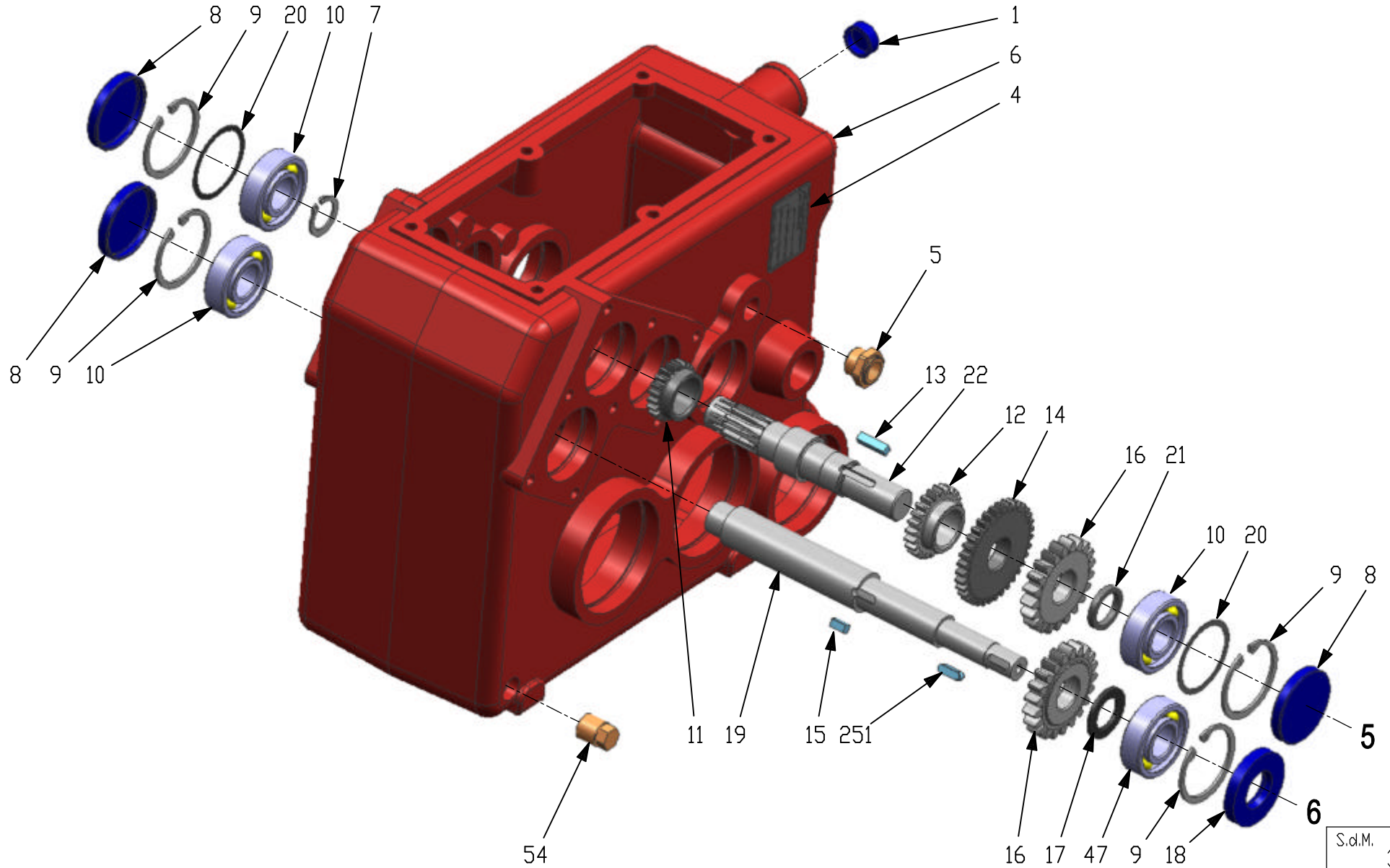
DITTA	
-------	--

RIF.	
DATA	23-04-2004

DENOMINAZIONE	D-745 A
CODICE	745.039.30



DITTA	RIF.	DENOMINAZIONE D-745 A
	DATA 23-04-2004	CODICE 745.039.30





DENOMINAZIONE SCATOLA INGRANAGGI D-745A	CODICE 9.745.039.30
---	---------------------

POS.	N° DISEGNO	PEZZI	DESCRIZIONE
1	01202.069.041	1	TAPPO X FORO 20
2	2.744.1321.00	1	COPERCHIO CAMBIO 4 VEL.
3	0.721.7101.00	2	MOLLA
4	0.124.7101.00	1	TARGHETTA "COMER"
5	8.6.4.00273	1	SPIA LIV.FILET.guar3/8"GASTLA2
6	0.745.0300.00	1	SCATOLA
7	8.5.1.00261	1	ANELLO EL.SIC.X ALB 20 UNI7435
8	8.7.0.01362	4	CAPPELLOTTO DI CHI. 47X7
9	8.5.2.01290	7	ANELLO EL.SIC.X FOR 47 UNI7437
10	8.0.1.00405	6	CUSC. SFERE CLB 6204
11	0.735.5001.00	1	PIGNONE CILIND. Z22 M1.5
12	0.744.5015.00	1	PIGNONE CIL. Z24 M1.75
13	8.4.1.01617	1	LINGUETTA UNI6604 B 5X5X20
14	0.744.6007.00	1	CORONA CIL. Z35 M1.75
15	8.4.1.01511	1	LINGUETTA UNI6604 B 5X5X10
16	0.744.6018.00	2	INGRANAGGIO Z21 M2.5
17	0.104.7525.00	2	SPES.REG. 32.0x20.3x2.5
18	8.7.3.01395	3	ANEL.TEN.NORM. BA 20X47X7
19	0.744.2012.00	1	ALBERO LISCIO ENT.
20	0.457.7500.00	2	SPESS. REG. 40.3X46.7
21	0.744.7104.00	1	DISTANZIALE 20.9x26.9x4
22	0.744.5011.00	1	ALBERO PIGNONE CIL.Z12 M1.5
23	2.744.5029.00	1	ALBERO PIGN.+ LINGUETTA
24	0.102.7510.00	1	SPES.REG. 44.0x30.3x1.0
25	0.742.7510.00	1	SPES.REG. 20.5X34.8X1
26	0.745.5008.00	1	ALBERO PIGNONE Z10 M2
27	2.744.6010.00	1	INGRANAGGIO I.D.+ CUSC.6206
28	0.745.5000.00	1	ALBERO-PIGNONE Z10 M3
29	8.7.0.00744	2	CAPPELLOTTO DI CHI. 72X10
30	8.5.2.00131	3	ANELLO EL.SIC.X FOR 72 UNI7437
31	8.0.1.00870	3	CUSC. SFERE CLB 6207
32	8.5.1.00005	3	ANELLO EL.SIC.X ALB 35 UNI7435
33	0.745.3000.00	1	ALBERO USCITA 32
34	0.745.6000.00	1	CORONA CILIN. Z46 M3
35	8.4.1.00993	1	LING. TEMPRATA B 10X8X30
36	8.5.1.00583	2	ANEL.SIC.xALB.H=2,5 35 UNI7436
37	8.7.3.00055	1	ANEL.TEN.NORM. BA 35X72X10
38	8.4.1.01041	1	LINGUETTA UNI6604 B 8X7X16
39	0.745.6002.00	1	CORONA CILIN. Z67 M2
40	8.5.2.00038	2	ANELLO EL.SIC.X FOR 52 UNI7437
41	8.7.0.00693	2	CAPPELLOTTO DI CHI. 52X7
42	8.0.1.00034	2	CUSC. SFERE CLB 6205
43	0.744.7000.00	1	BOCCOLA X I.D.
44	0.744.7106.00	1	DISTANZIALE 30.1x44.5x15
45	8.5.1.01082	1	ANEL.SIC.xALB.H=2 30 UNI7436
46	8.5.1.00004	1	ANELLO EL.SIC.X ALB 25 UNI7435
47	8.0.1.01945	1	CUSC. SFERE CLA 6204
48	0.104.7510.00	1	SPES.REG. 32.0x20.3x1.0
49	0.744.7112.00	1	LINGUETTA SAGOMATA
50	0.100.7510.00	1	SPES.REG. 35.3x25.6x1.0
51	8.1.1.01676	6	VITE Zn TE UNI5739 M8X18 8.8
52	2.744.5007.00	1	COMPOSTO INGRANAGGIO
53	0.744.6003.00	1	CORONA CIL.+ I.D. Z58 M1.5
54	8.6.5.00006	1	TAPPO CON.ESAG.EST. 3/8"GAS

DENOMINAZIONE SCATOLA INGRANAGGI D-745A	CODICE 9.745.039.30
---	---------------------

POS.	N° DISEGNO	PEZZI	DESCRIZIONE
55	8.7.0.00743	1	CAPPELLOTTO DI CHI. 62X10
56	8.5.2.00007	2	ANELLO EL.SIC.X FOR 62 UNI7437
57	8.0.1.00000	2	CUSC. SFERE CLB 6007
58	0.259.7513.00	1	SPES.REG. 48.0x35.3x1.3
59	0.745.6001.00	1	CORONA CILIN. Z28 M2
60	8.4.1.01658	1	LING. TEMPRATA B 10X8X16
61	0.745.3001.00	1	ALBERO PTO 1"3/8 Z6
62	8.7.3.00003	1	ANEL.TEN.NORM. BA 35X62X10
63	0.744.6001.00	1	TAMBURO FRENO
64	0.735.7103.00	1	MOLLA X FRENO
65	8.3.2.00439	2	ROS.X VITI UNI6592 8,4X14
66	2.744.7006.00	1	NASTRO X FRENO
67	8.9.1.01713	1	POMOLO 4 LOBI 731-40 M8
68	0.744.7005.00	1	PERNO
69	8.4.1.00232	1	LINGUETTA UNI6604 A 10X8X25
70	2.744.7002.00	1	LEVA CAMBIO 4VEL.
71	8.7.6.00191	2	GUARN.TEN.O-RING OR-3062
72	8.5.5.01316	1	MOLLA A TAZZA 40X20.4X1.5
73	8.4.7.00760	1	COPIGLIA UNI1336 B4X35
74	8.2.2.00997	1	D.ES.INT.UNI5594 M20X1,5 PR80B
75	8.4.5.00934	1	SPINA EL/TP.PES/ 5X24DIN1481
76	1.721.7002.00	1	MANOPOLA
77	8.5.9.00166	2	SFERA 5/16" 7,9MM
78	8.6.7.00269	1	TAPPO SFI.ANTICOND. 1/2"GAS
79	2.744.7018.00	1	LEVA I.D.
80	0.744.7105.00	1	DADO AD ACCIACC. M20X1.5
	A.745.009	1	
251	8.4.1.02097	1	LINGUETTA UNI6604 A 5X5X16
252	8.4.1.00314	1	LINGUETTA UNI6604 A 10X8X45