



**STRUTTURA**

**STRUCTURE**

**STRUCTURE**

**STRUKTUR**

**G1**



Struttura

**G1**

Modello / Model / Modèle / Model

**Tutti / All / Tous / Allen**

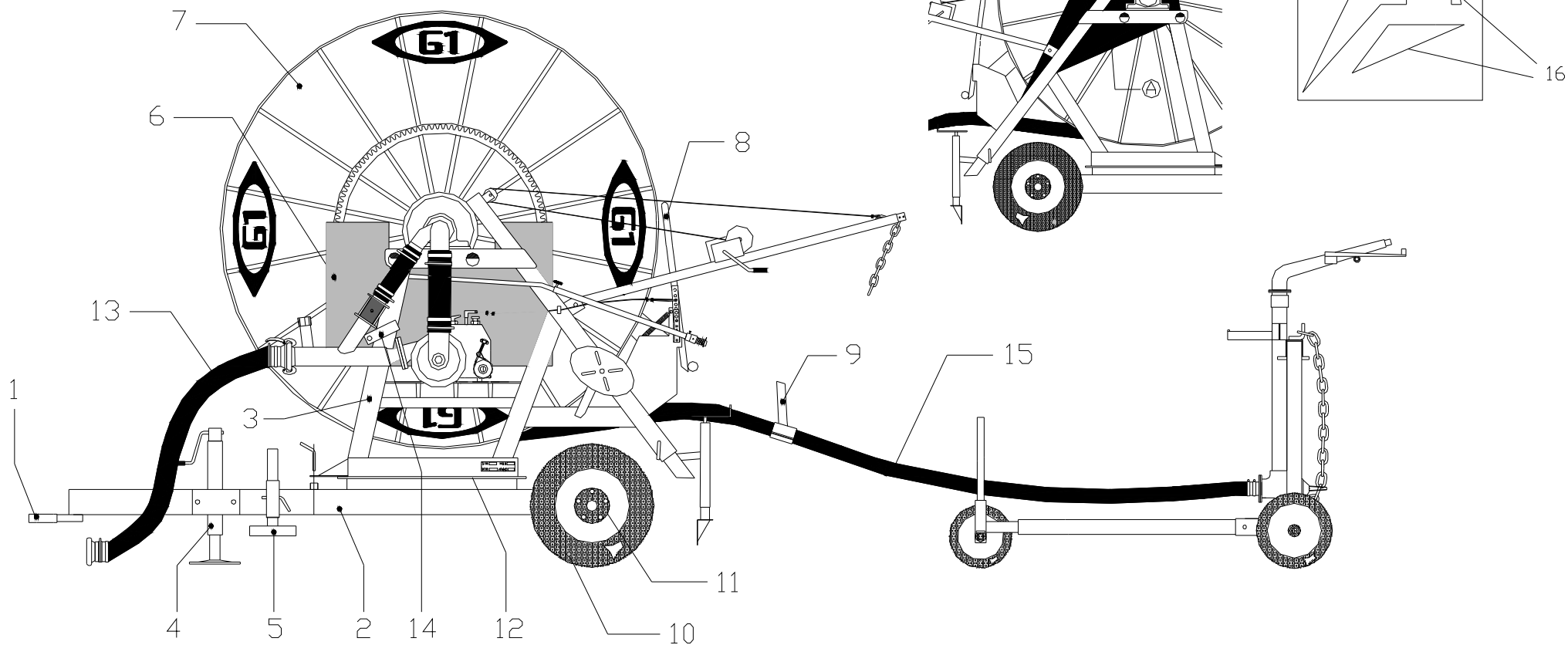
Particolare / Part / Part / Einzelheit

**TELAIO COMPLETO / COMPLETE FRAME**

**CHASSIS COMPLET / KOMPL. RAHMEN**

LATO TURBINA TURBINE SIDE  
COTE TURBINE TURBINENSEITE

LATO CATENA CHAIN SIDE  
COTE CHAINE KETTENSEITE





Struttura

**G1**

Modello / Model / Modèle / Model

**Tutti / All / Tous / Allen**

Particolare / Part / Part / Einzelheit

**TELAIO COMPLETO / COMPLETE FRAME**

**CHASSIS COMPLET / KOMPL. RAHMEN**

Fig.	Cod.	Q.tà	Descrizione	Description	Description	Beschreibung	Applicazione Application Applikation
1	50-01-00180	1	Timone	Tow-bar	Timon	Deichsel	
2	50-01-00557	1	Telaio inferiore	Bottom frame	Châssis inférieur	Unterrahmen	
3	50-01-00556	1	Telaio superiore	Up frame	Châssis supérieur	Überrahmen	
4	50-01-00184	1	Piedino alza timone 60x550	Tow-bar staker leg 60x550	Béquille sur timon 60x550	Zugschaft 60x550	
5	50-01-00191	2	Piedino per ala	Boom staker leg	Béquilles pour rampe arrosage	Zugschaft für Düsenwagen	
6	50-01-00328	1	Protezione corona	Crown guard	Protection couronne	Zahnkranz Gehäuse	
7	50-01-00573	1	Rullo mod. 1	Drum mod. 1	Bobine mod. 1	Trommel mod. 1	
7	50-01-00574	1	Rullo mod. 1/A	Drum mod. 1/A	Bobine mod. 1/A	Trommel mod. 1/A	
8	50-01-00196	1	Snodo barra	Bar joint	Articulation barre débrayage	Abschaltbügel	
9	50-01-00202	1	Staffa fine corsa	Knock-off stirrup	Etrier débrayage	Abschaltvorrichtung	Ø63-70
9	50-01-00203	1	Staffa fine corsa	Knock-off stirrup	Etrier débrayage	Abschaltvorrichtung	Ø75
10	50-01-00266	2	Ruota 165/70-13	Wheel 165/70-13	Roue 165/70-13	Rad 165/70-13	
11	50-01-00284	2	Mozzo Ø40 4F L300	Hub Ø40 4F L300	Moyeu Ø40 4F L300	Steckachse Ø40 4F L300	
12	50-01-00441	1	Ralla 700 NU	Turn table 700 NU	Tourelle 700 NU	Drehkranz 700 NU	
13	50-01-00602	1	Manichetta flessibile Ø60	Flexible hose Ø60	Tuyau flexible Ø60	Anspeisschlauch Ø60	
14	50-01-00362	1	Cricchetto	Jack	Cric	Sperrklinke	
15		1	Tubo PE media densità*	Medium density PE hose *	Tuyau en PE médium densité *	PE Rohr *	
16	50-01-00692	1	Protezione catena	chain protection	protection chaîne	Kettenschutz	

\* Comunicare modello e matricola della macchina / State machine model and serial number  
 Spécifier modèle et numéro de série de la machine / Modell und Matrikelnummer der Maschine spezifizieren



Struttura

**G1**

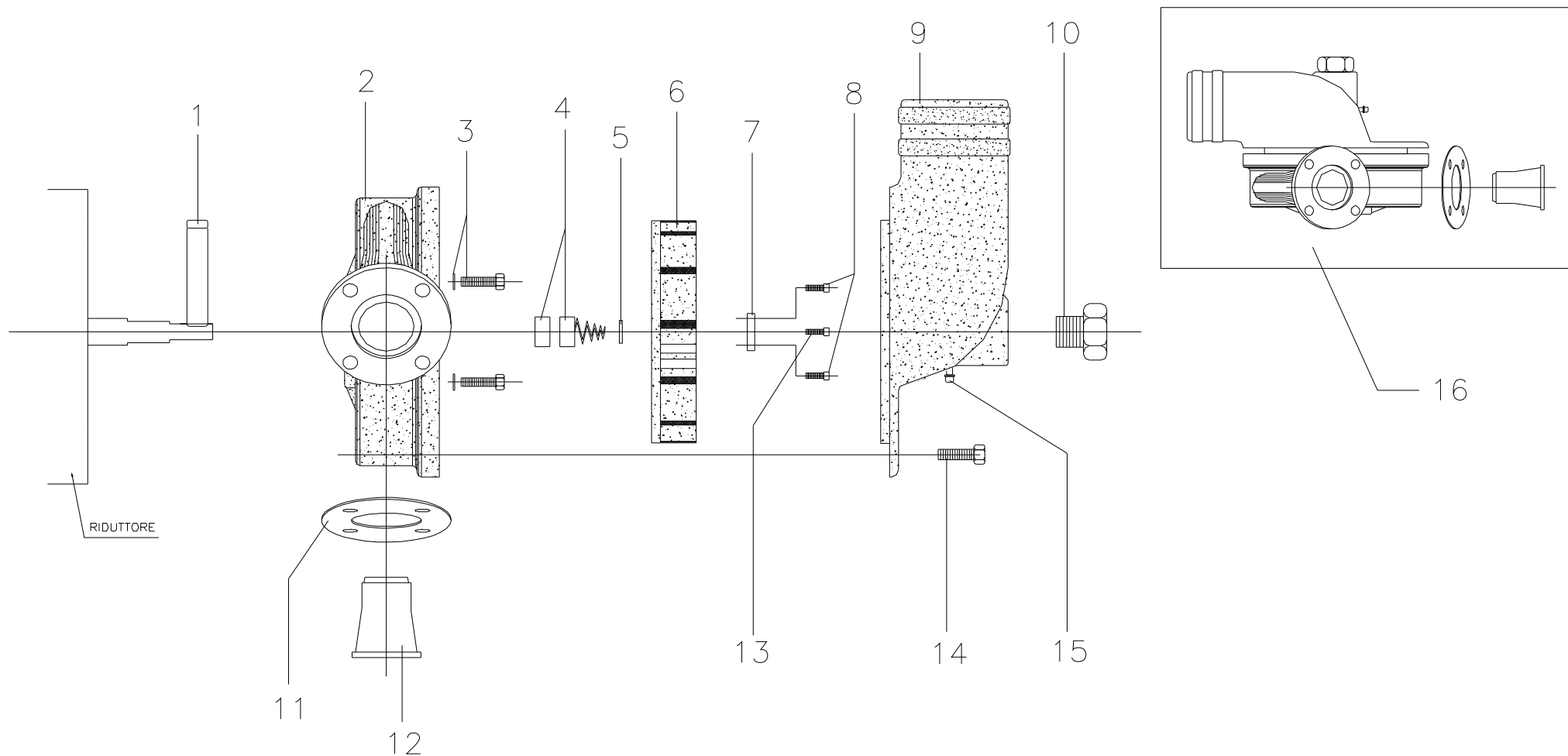
Modello / Model / Modèle / Model

**Tutti / All / Tous / Allen**

Particolare / Part / Part / Einzelheit

**TURBINA 195-60 / TURBINE 195-60**

**TURBINE 195-60 / TURBINE 195-60**





Struttura

**G1**

Modello / Model / Modèle / Model

**Tutti / All / Tous / Allen**

Particolare / Part / Part / Einzelheit

**TURBINA 195-60 / TURBINE 195-60**

**TURBINE 195-60 / TURBINE 195-60**

Fig.	Cod.	Q.tà	Descrizione	Description	Description	Beschreibung	Applicazione Application Applikation
1	50-01-00084	1	Chiavetta 5x5x16	Key 5x5x16	Clef 5x5x16	Schlüssel 5x5x16	
2	50-01-00060	1	Cassa turbina 195	Turbine box 195	Caisse turbine 195	Turbinengehäuse 195	
3	50-01-00090	4	Vite 8x35 T.C.E.I. + rondella in rame	Screw 8x35 T.C.E.I. + washer	Vis 8x35 T.C.E.I. + rondelle	Schraube 8x35 T.C.E.I. + Scheibe	
4	50-01-00072	1	Tenuta Roten 195 Ø16	Roten seal 195 Ø16	Joint Roten 195 Ø16	Roten Gleitringdichtung 195 Ø16	
5	50-01-00075	1	Spessore 15x21x1,2	Washer 15x21x1,2	Epaisseur 15x21x1,2	Ring 15x21x1,2	
6	50-01-00064	1	Girante 195	Impeller 195	Roue tournante 195	Turbinenlaufrad 195	
7	50-01-00085	1	Fermo 195	Catch 195	Arrêt 195	Halter 195	
8	50-01-00087	2	Vite 6x20 T.C.E.I.	Screw 6x20 T.C.E.I.	Vis 6x20 T.C.E.I.	Schraube 6x20 T.C.E.I.	
9	50-01-00068	1	Coperchio turbina 195/60	Turbine guard 195/60	Protection turbine 195/60	Lagerdeckel i. Gehäuse 195/60	
10	50-01-00079	1	Tappo in ottone 195-260	Cap 195-260	Bouchon 195-260	Kupferschraube 195-260	
11	50-01-00100	1	Guarnizione ugello turbina 195	Turbine nozzle gasket 195	Joint pour buse turbine 195	Turbinendüsedichtung 195	
12	50-01-00093	1	Boccaglio turbina Ø18	Turbine nozze Ø18	Buse turbine Ø18	Turbinendüse Ø18	Ø63-70
12	50-01-00094	1	Boccaglio turbina Ø22	Turbine nozze Ø22	Buse turbine Ø22	Turbinendüse Ø22	Ø75
13	50-01-00088	1	Vite 6x25 T.C.E.I. + rondella dentata	Screw 6x25 T.C.E.I. + toothed washer	Vis 6x25 T.C.E.I. +rondelle	Schraube 6x25 T.C.E.I. + Scheibe	
14	50-01-00089	9	Vite 10x35 T.C.E.I. rondella Ø10	Screw 10x35 T.C.E.I. + washer Ø10	Vis 10x35 T.C.E.I. +rondelle Ø10	Schraube 10x35 T.C.E.I. + Scheibe Ø10	
15	50-01-00081	1	Valvola di scarico 1/4"	Outlet valve 1/4"	Vanne de décharge 1/4"	Unterdruckabschaltventil 1/4"	
16	50-01-00105	1	Turbina completa mod. 195/60	Complet turbine mod. 195/60	Turbine complète mod. 195/60	Turbine kompl. Mod. 195/60	



Struttura

**G1**

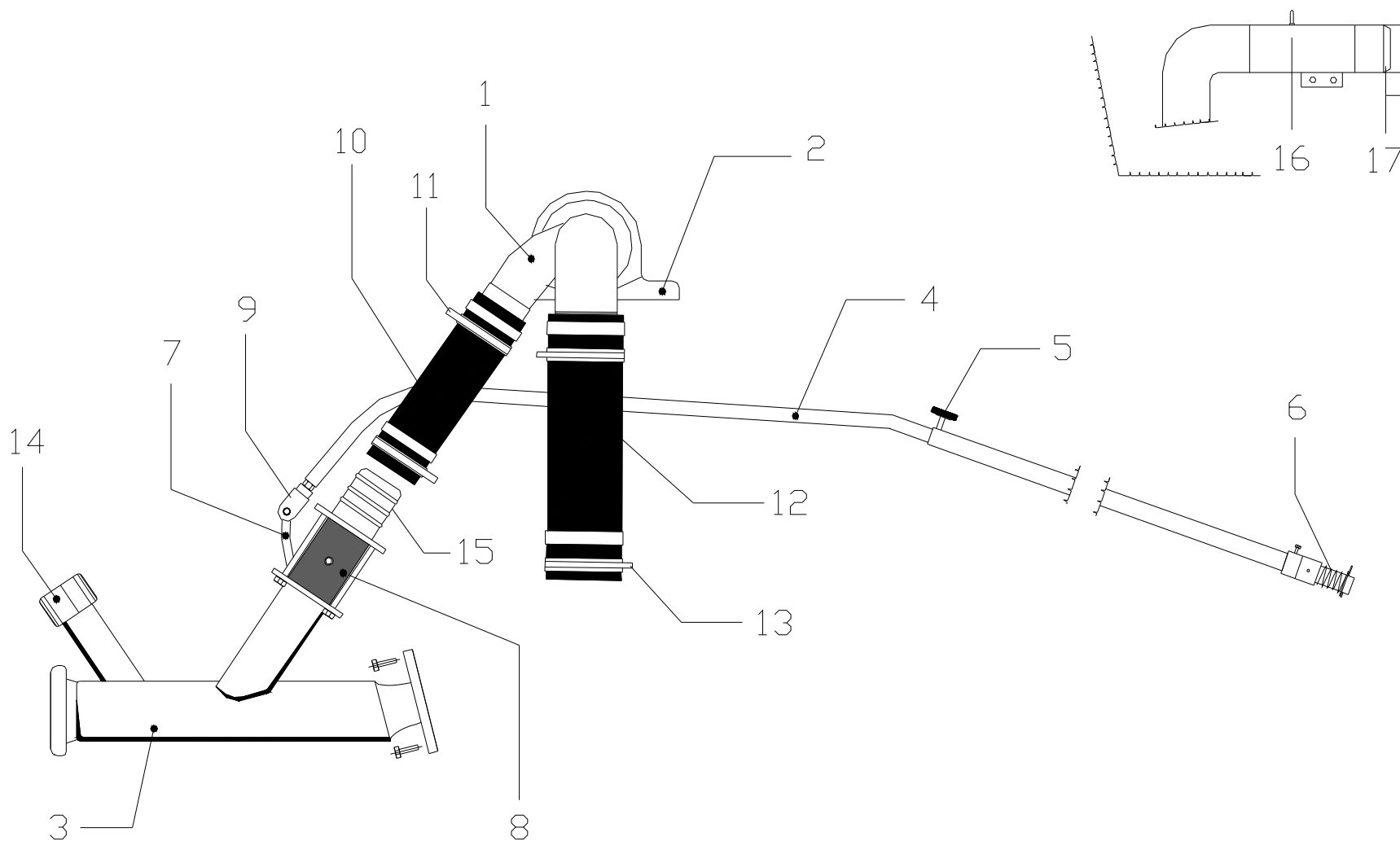
Modello / Model / Modèle / Model

**Tutti / All / Tous / Allen**

Particolare / Part / Part / Einzelheit

**PERCORSO ACQUA / WATER PIPEWORK**

**PARCOURS de l'EAU / EINLAUFVERROHRUNG**





Struttura

**G1**

Modello / Model / Modèle / Model

**Tutti / All / Tous / Allen**

Particolare / Part / Part / Einzelheit

**PERCORSO ACQUA / WATER PIPEWORK**

**PARCOURS de l'EAU / EINLAUFVERROHRUNG**

Fig.	Cod.	Q.tà	Descrizione	Description	Description	Beschreibung	Applicazione Application Applikation
1	50-01-00003	1	Percorso acqua sopraturbina	Pipe work up	Parcours de l'eau sur turbine	Verrohrung über Turbine	
2	50-01-00232	1	Supporto UCP 212	UCP 212 support	Palier UCP 212	UCP 212 Stehlager	
3	50-01-00013	1	Percorso acqua sottoturbina	Pipe work bottom	Parcours de l'eau sous turbine	Verrohrung unter Turbine	
4	50-01-00217	1	Leva regolatore by-pass	By-pass adjusting lever	Levier régulateur by-pass	By-pass Verstellbarhebel	
5	50-01-00296	1	Pomello Ø40 8x15	Hand-grip Ø40 8x15	Bouton Ø40 8x15	Knopf Ø40 8x15	
6	50-01-00293	1	Molla con pos-85	Spring	Ressort	Feder	
7	50-01-00225	1	Regolatore By-pass	By-pass adjuster	Régulateur By-pass	By-pass Verstellung	
8	50-01-00053	1	Valvola by-pass 1 1/2"	By-pass valve 1 1/2"	Vanne by-pass 1 1/2"	By-pass Ventil 1 1/2"	
9	50-01-00255	1	Forcella Ø8 lunga con serraggio	Fork Ø8	Fourchette Ø8	Gabel Ø8	
10	50-01-00047	mt. 0,20	Tubo in gomma Ø60	Rubber hose Ø60	Tuyau en caoutchouc Ø60	Schlauch Ø60	
11	50-01-00245	4	Fascette 68-73	Clamp 68-73	Bande 68-73	Schelle 68-73	
12	50-01-00048	mt 0,20	Tubo in gomma Ø90	Rubber hose Ø90	Tuyau en caoutchouc Ø90	Schlauch Ø90	
13	50-01-00247	4	Fascette 86-91	Clamp 86-91	Bande 86-91	Schelle 86-91	
14	50-01-00052	1	Tappo esagonale Ø60	Hexagonal cap Ø60	Hexagonal bouchon Ø60	Sechseckig Kupfer Ø60	
15	50-01-00026	1	Tronchetto portagomma flangiato	Flanged section fitting	Section joint flangé	Schlauchanschlussstrecke geflanscht	
16	50-01-00031	1	Tenuta acqua Ø60	Seal-pipe Ø60	Tube à étanche d'eau Ø60	Dichtungsrohr Ø60	
17	50-01-00039	1	Guarnizione LOM+OR 732 Ø60	LOM+OR gasket 732 Ø60	Garniture LOM+OR 732 Ø60	LOM+OR Dichtung 732 Ø60	



Struttura

**G1**

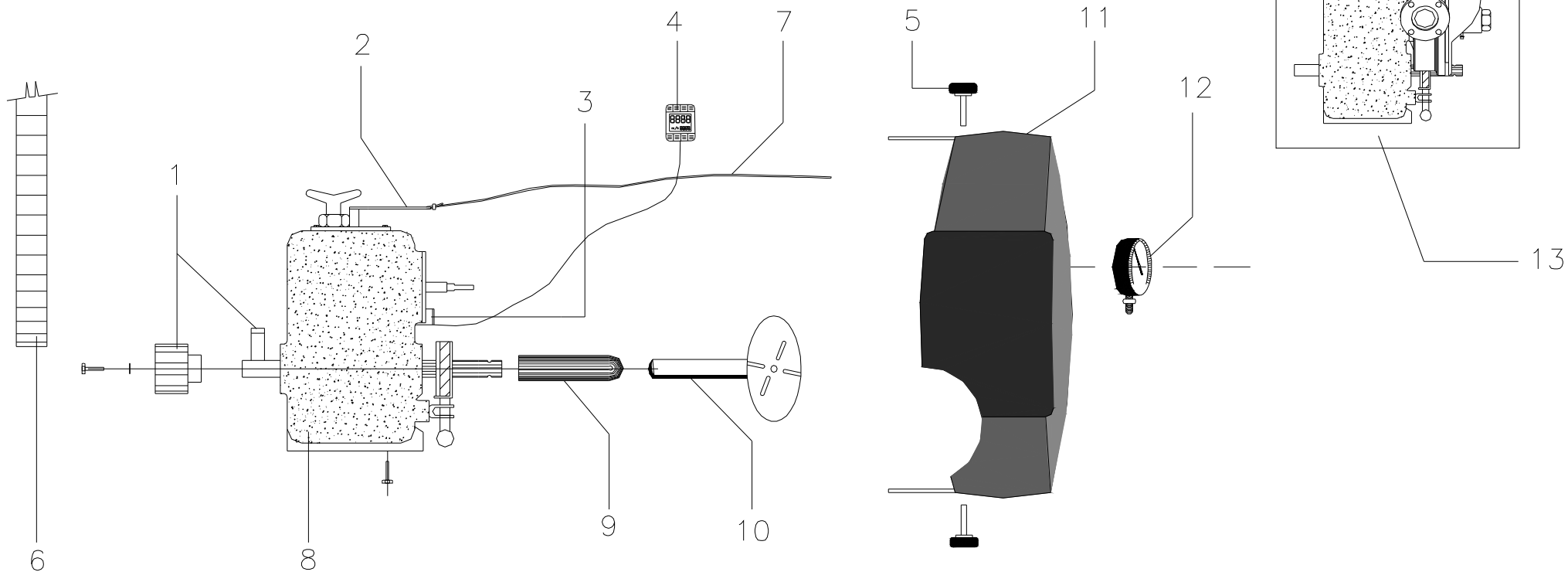
Modello / Model / Modèle / Model

**Tutti / All / Tous / Allen**

Particolare / Part / Part / Einzelheit

**ACCOPPIAMENTO RIDUTTORE - CORONA DENTATA / GEARBOX - TOOTHED CROWN ASSEMBLY**

**GROUP REDUCTEUR - COURONNE / GETRIEBE-KEILRIEMENSCH. - ZAHNKRANZ AGGREGAT**







Struttura

**G1**

Modello / Model / Modèle / Model

**Tutti / All / Tous / Allen**

Particolare / Part / Part / Einzelheit

**ACCOPIAMENTO RIDUTTORE - CORONA DENTATA / GEARBOX - TOOTHED CROWN ASSEMBLY**

**GROUP REDUCTEUR - COURONNE / GETRIEBE-KEILRIEMENSCH. - ZAHNKRANZ AGGREGAT**

Fig.	Cod.	Q.tà	Descrizione	Description	Description	Beschreibung	APPLICAZIONE APPLICATION APPLIKATION
1	50-01-00308	1	Pignone con chiavetta Z11 M5 Ø30	Pinion with key Z11 M5 Ø30	Pignon avec clef Z11 M5 Ø30	Antriebzahnrad Z11 M5 Ø30	
2	50-01-00223	1	Disinnesto riduttore	Gearbox release	Débrayage réducteur	Getriebe Abschaltung	
3	50-01-00335	1	Magnete con blocco in PVC	Magnet with PVC block	Aimant avec bloc en PVC	Magnet mit PVC Block	
4	50-01-00336	1	Contametri digitale	Digital counter-meters	Compte-metres digital	Digital Meterzähler	
5	50-01-00296	3	Pomello Ø40 8x15	Hand-grip Ø40 8x15	Bouton Ø40 8x15	Knopf Ø40 8x15	
6	50-01-00318	1	Corona dentata 730	Toothed crown 730	Couronne 730	Zahnkranz 730	
7	50-01-00369	Mt 1	Cavo in acciaio Ø3	Steel cable Ø3	Câble en acier Ø3	Stahlkabel Ø3	
8	50-01-00303	1	Riduttore COMER D-743 4V	Gearbox COMER D-743 4V	Réducteur COMER D-743 4V	Getriebe COMER D-743 4V	
9	50-01-00338	1	Cappuccio PDF	Pto cap	Capuchon prise de forse	Haube	
10	50-01-00337	1	Volantino	Hand wheel	Volant	Handrad	
11	50-01-00333	1	Protezione turbina	Turbine guard	Protection turbine	Turbinegehäuse	
12	50-01-00339	1	Manometro alla glicerina	Manometer	Manomètre	Manometer	
13	50-01-00677	1	Turboriduttore	Gearbox+turbine	Réducteur+turbine	Getriebe+Turbine	



Struttura

**G1**

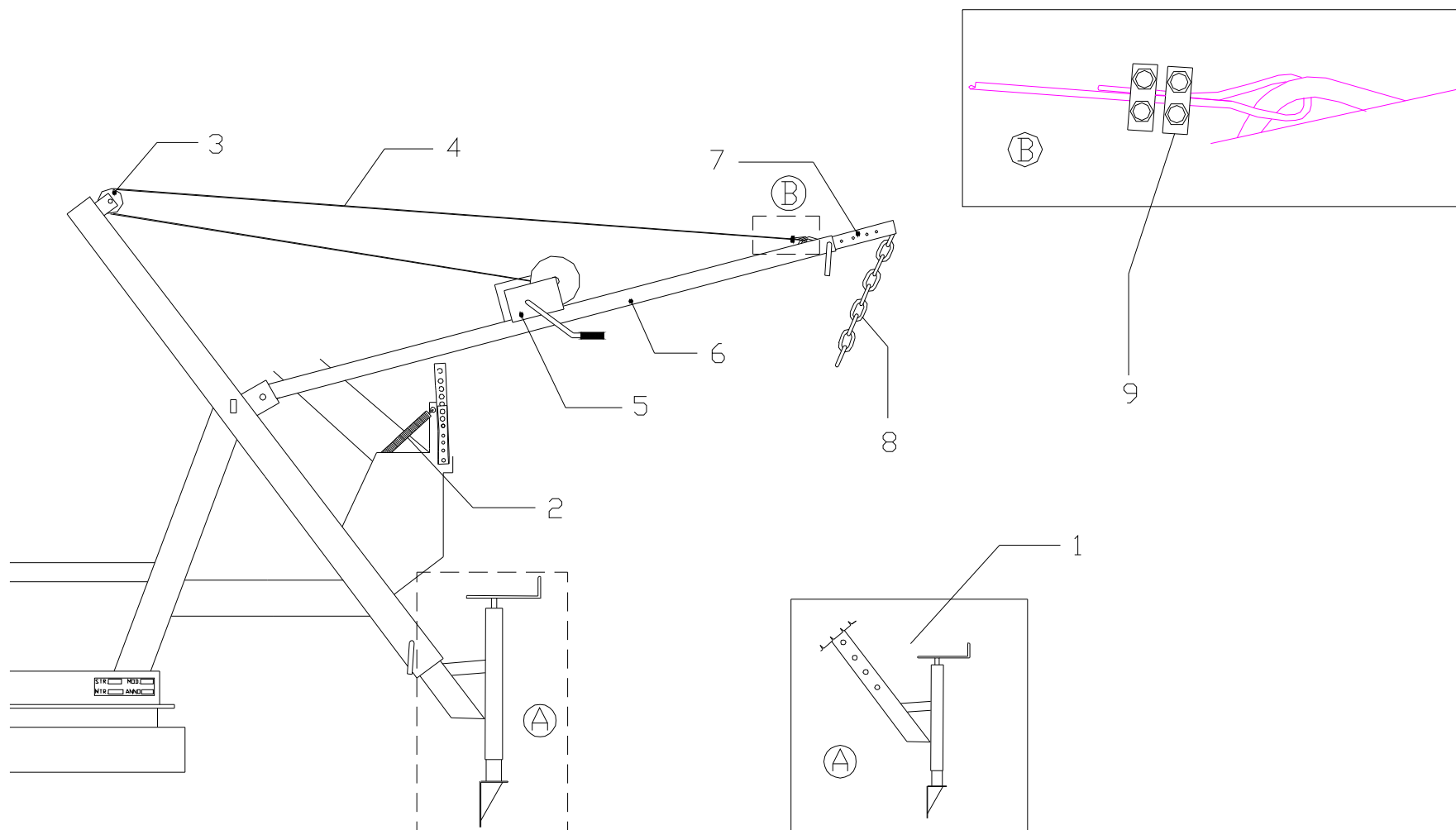
Modello / Model / Modèle / Model

**Tutti / All / Tous / Allen**

Particolare / Part / Part / Einzelheit

**ANCORAGGIO E SOLLEVAMENTO CARRELLO / TROLLEY FIXING AND LIFTING**

**MOUILLAGE ET CHARGEMENT CHARIOT / STATIVVERANKERUNG UND HEBEN**





Struttura

**G1**

Modello / Model / Modèle / Model

**Tutti / All / Tous / Allen**

Particolare / Part / Part / Einzelheit

**ANCORAGGIO E SOLLEVAMENTO CARRELLO / TROLLEY FIXING AND LIFTING**

**MOUILLAGE ET CHARGEMENT CHARIOT / STATIVVERANKERUNG UND HEBEN**

Fig.	Cod.	Q.tà	Descrizione	Description	Description	Beschreibung	Applicazione Application Applikation
1	50-01-00340	2	Sfilabile interno di stazionamento	Internal staker leg	Béquille intérieure	Zugshaftinnenseite	
2	50-01-00292	1	Molla 200x38x4	Spring 200x38x4	Ressort 200x38x4	Feder 200x38x4	
3	50-01-00368	1	Carrucola Ø60	Pulley Ø60	Poulie Ø60	Rolle Ø60	
4	50-01-00370	mt 6,10	Cavo in acciaio Ø5	Steel cable Ø5	Câble en acier Ø5	Stahlkabel Ø5	
5	50-01-00366	1	Arganello manuale 350 Kg.	Manual winch 350 Kg.	Cabestan manuel 350 Kg.	Handwinde 350 Kg.	
6	50-01-00353	1	Carica carrello esterno	External trolley lifter	Chargeur du chariot extérieur	Außenhebevorrichtung	
7	50-01-00352	1	Carica carrello interno	Internal trolley lifter	Chargeur du chariot intérieur	Innenhebevorrichtung	
8	50-01-00438	mt 1,80	Catena Ø9	Chain Ø9	Chaîne Ø9	Kette Ø9	
9	50-01-00371	2	Morsetto ferma cavo	Cable fixing clamp	Serre-fils pour câble	Kabelklammer	



Struttura

**G1**

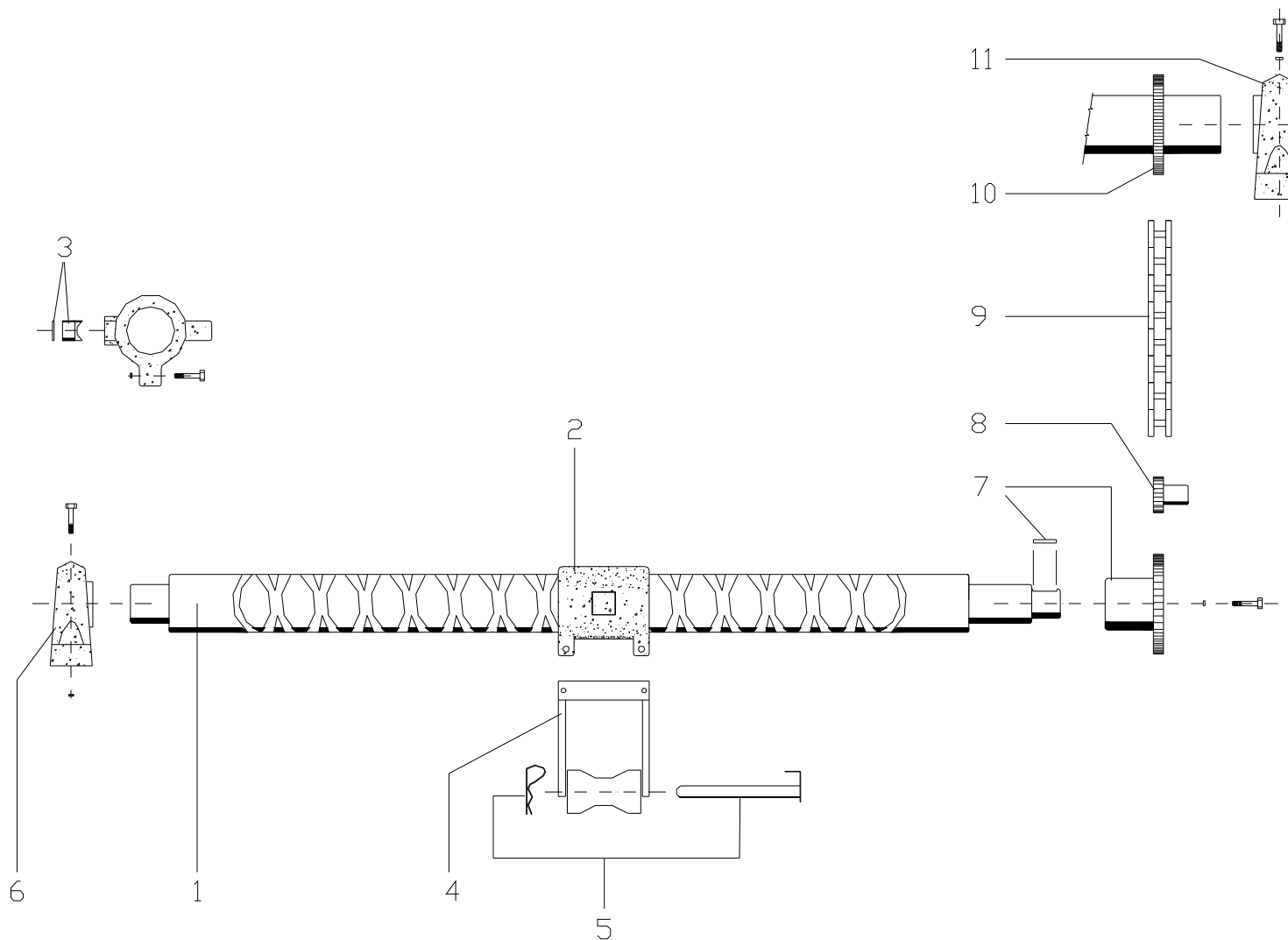
Modello / Model / Modèle / Model

**Tutti / All / Tous / Allen**

Particolare / Part / Part / Einzelheit

**BARRA di SCORRIMENTO / SLIDING BAR**

**BARRE de ECOULEMENT / GLEITUNGSTANGE**





Struttura

**G1**

Modello / Model / Modèle / Model

**Tutti / All / Tous / Allen**

Particolare / Part / Part / Einzelheit

**BARRA di SCORRIMENTO / SLIDING BAR**

**BARRE de ECOULEMENT / GLEITUNGSTANGE**

Fig.	Cod.	Q.tà	Descrizione	Description	Description	Beschreibung	Applicazione Application Applikation
1	50-01-00109	1	Barra di scorrimento L 965	Sliding bar L 965	Barre d'écoulement L 965	Gleitungsstange L 965	
2	50-01-00115	1	Blocco di scorrimento	Sliding block	Bloc d'écoulement	Gleitungsblock	
3	50-01-00121	1	Nottolino Ø 40 mod. 1	Pawl Ø 40 mod. 1	Taquet Ø 40 mod. 1	Klinke Ø 40 Mod. 1	
4	50-01-00137	1	Supporto entrata tubo PE	PE hose inlet support	Palier entrée tuyau PE	Spulwagenrahmen	
5	50-01-00125	1	Rocchetto in nylon	Nylon reel	Bobine en nylon	Nylon Spule	
6	50-01-00227	2	Supporto UCP 205	UCP 205 support	Palier UCP 205	UCP 205 Stehlager	
7	50-01-00169	1	Pignone 5/8 Z15 Ø22	Pinion 5/8 Z15 Ø22	Pignon 5/8 Z15 Ø22	Kettenrad 5/8 Z15 Ø22	Ø63
7	50-01-00168	1	Pignone 5/8 Z13 Ø22	Pinion 5/8 Z13 Ø22	Pignon 5/8 Z13 Ø22	Kettenrad 5/8 Z13 Ø22	Ø70-75
8	50-01-00123	1	Tendicatena 5/8	Chain stretcher 5/8	Tendeur de chaîne 5/8	Kettenspanner 5/8	
9	50-01-00124	mt 2,5	Catena 5/8	Chain 5/8	Chaîne 5/8	Kette 5/8	
10	50-01-00149	1	Corona 5/8 Z23 Ø52	Crown 5/8 Z23 Ø52	Couronne 5/8 Z23 Ø52	Zahnkranz 5/8 Z23 Ø52	Ø70
10	50-01-00150	1	Corona 5/8 Z24 Ø52	Crown 5/8 Z24 Ø52	Couronne 5/8 Z24 Ø52	Zahnkranz 5/8 Z24 Ø52	Ø63
10	50-01-00151	1	Corona 5/8 Z25 Ø52	Crown 5/8 Z25 Ø52	Couronne 5/8 Z25 Ø52	Zahnkranz 5/8 Z25 Ø52	Ø75
11	50-01-00228	1	Supporto UCP 206	UCP 206 support	Palier UCP 206	UCP 206 Stehlager	



Struttura

**G1**

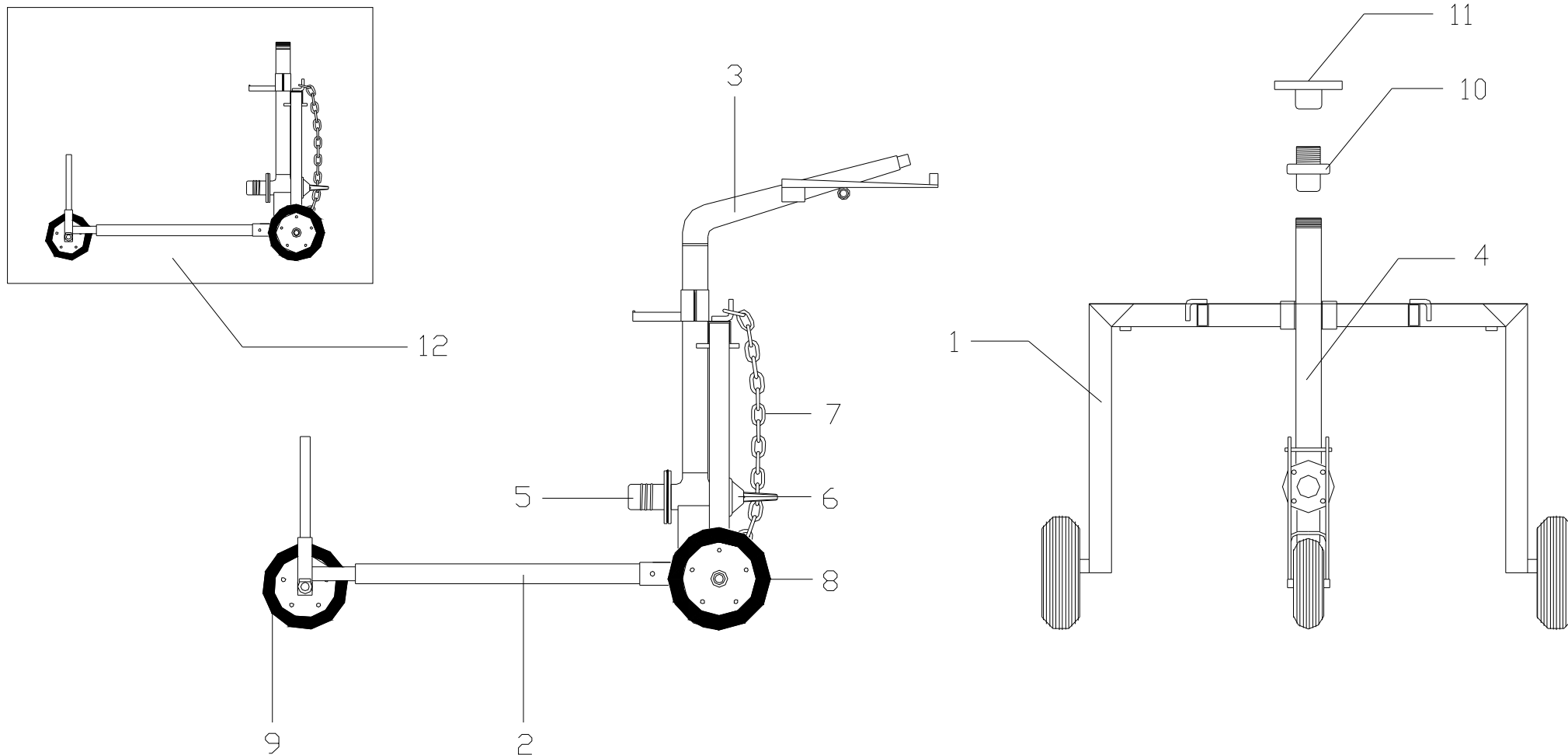
Modello / Model / Modèle / Model

**Tutti / All / Tous / Allen**

Particolare / Part / Part / Einzelheit

**CARRELLO / TROLLEY**

**CHARIOT / STATIV**





Struttura

**G1**

Modello / Model / Modèle / Model

**Tutti / All / Tous / Allen**

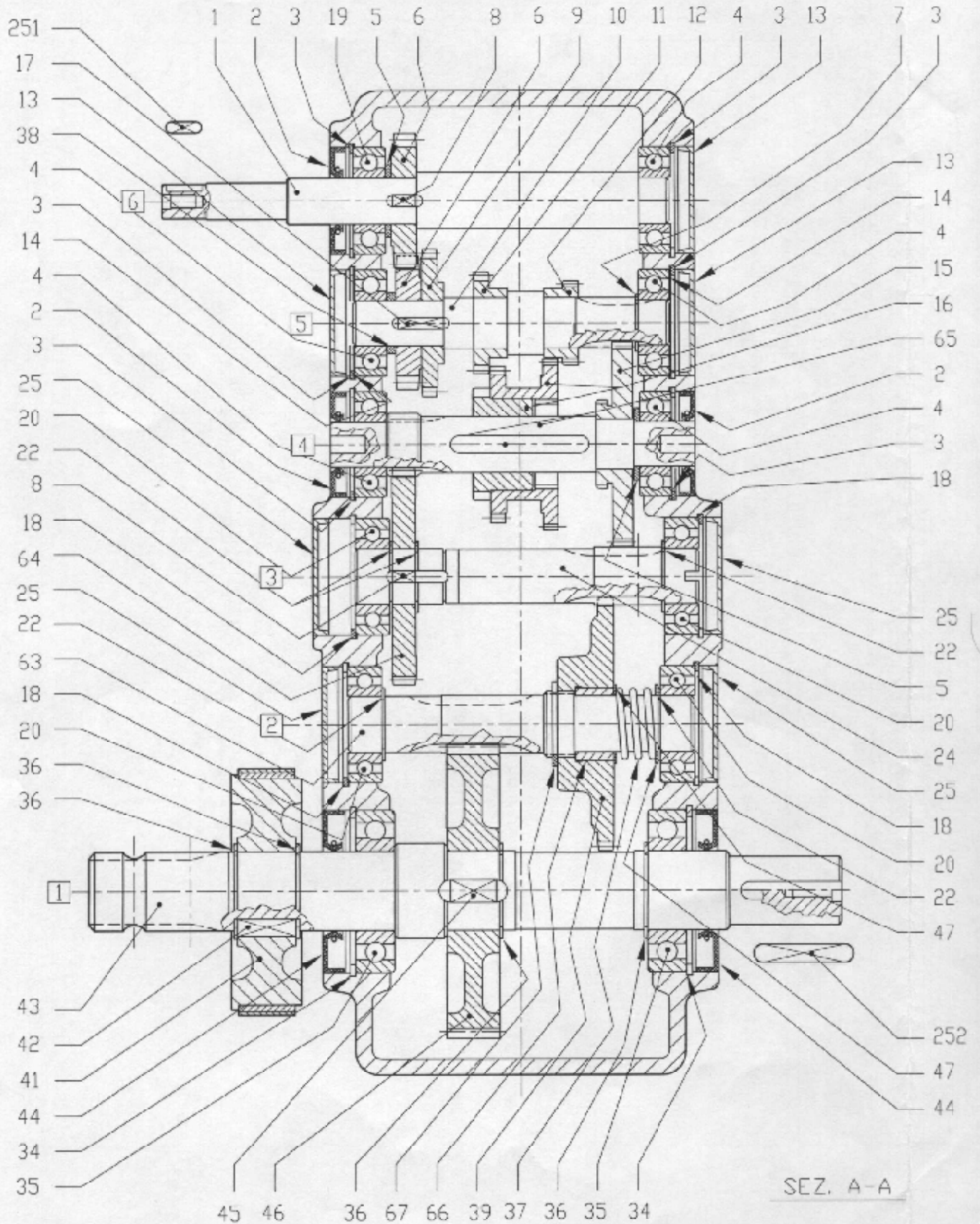
Particolare / Part / Part / Einzelheit

**CARRELLO / TROLLEY**

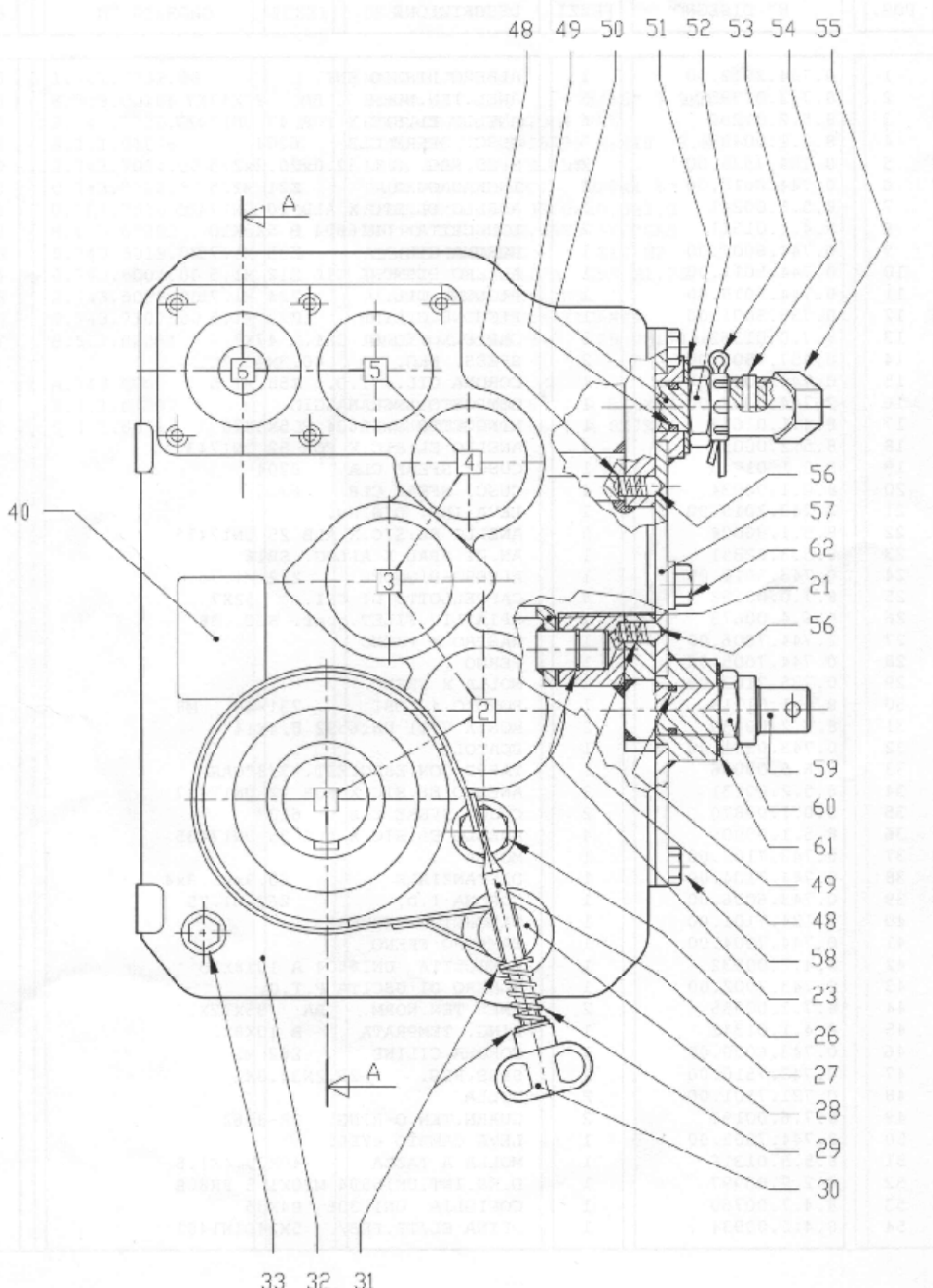
**CHARIOT / STATIV**

Fig.	Cod.	Q.tà	Descrizione	Description	Description	Beschreibung	Applicazione Application Applikation
1	50-01-00374	2	Gamba carrello	Trolley leg	Pied du chariot	Stativradhalter	
2	50-01-00392	1	Slitta carrello	Trolley slide	Traîneau du chariot	Stativschlitten	
3	50-01-00610	1	Irrigatore SENIOR	Sprinkler SENIOR	Asperseur SENIOR	Regner SENIOR	Ø63
3	50-01-00611	1	Irrigatore SINKRO	Sprinkler SINKRO	Asperseur SINKRO	Regner SINKRO	Ø70-75
3	50-01-00615	1	Irrigatore TWIN 101	Sprinkler TWIN 101	Asperseur TWIN 101	Regner TWIN 101	Ø70-75
4	50-01-00382	1	Corpo carrello	Trolley body	Châssis du chariot	Stativmittelrohr	
5	50-01-00399	1	Bocchettone	Trolley knock-off	Barre de débrayage	Abschalt Klemmvorrichtung	Ø63-70-75
6	50-01-00636	1	Tappo Ferrari F Ø60	Ferrari F cap Ø60	Bouchon Ferrari F Ø60	Ferrari Kupfer M-Teile Ø60	
7	50-01-00439	mt 1,30	Catena Ø12	Chain Ø12	Chaîne Ø12	Kette Ø12	
8	50-01-00276	2	Ruota carrello 360x100	Trolley wheel 360x100	Roue du chariot 360x100	Stativ Rad 360x100	
9	50-01-00277	1	Ruota slitta 300x85	Slide wheel 300x85	Roue du traîneau 300x85	Schlittenrad 300x85	
10	50-01-00653	1	Riduzione zincata F 2"-M 2½"	Galvanised reduction F 2"-M 2½"	Redution galvanisé F 2"-M 2½"	Reduktion verzinkt F 2"-M 2½"	Ø70-75 SINKRO
11	50-01-00654	1	Adattatore F2"-PULSAR	Adapter F2"-PULSAR	Adaptateur F2"-PULSAR	Adapter F2"-PULSAR	Ø70-75 TWIN 101
12	50-01-00424	1	Carrello completo	Complete trolley	Chariot complète	Stativ kompl.	

DITTA	RIF.	DENOMINAZIONE D 743 A
	DATA 07-04-2003	CODICE 743.028.00







S.d.M.  
00.0000

DENOMINAZIONE SCATOLA INGRANAGGI D-743A

CODICE 9.743.028.00

POS.	N° DISEGNO	PEZZI	DESCRIZIONE
1	0.744.2012.00	1	ALBERO LISCIO ENT.
2	8.7.3.01395	3	ANEL.TEN.NORM. BA 20X47X7
3	8.5.2.01290	6	ANELLO EL.SIC.X FOR 47 UNI7437
4	8.0.1.00405	5	CUSC. SFERE CLB 6204
5	0.104.7525.00	2	SPES.REG. 32.0x20.3x2.5
6	0.744.6018.00	2	INGRANAGGIO Z21 M2.5
7	8.5.1.00261	1	ANELLO EL.SIC.X ALB 20 UNI7435
8	8.4.1.01511	2	LINGUETTA UNI6604 B 5X5X10
9	0.744.6007.00	1	CORONA CIL. Z35 M1.75
10	0.744.5011.00	1	ALBERO PIGNONE CIL.Z12 M1.5
11	0.744.5015.00	1	PIGNONE CIL. Z24 M1.75
12	0.735.5001.00	1	PIGNONE CILIND. Z22 M1.5
13	8.7.0.01362	3	CAPPELLOTTO DI CHI. 47X7
14	0.457.7500.00	2	SPES. REG. 40.3X46.7
15	0.744.6003.00	1	CORONA CIL.+ I.D. Z58 M1.5
16	2.744.5007.00	1	COMPOSTO INGRANAGGIO
17	8.4.1.01617	1	LINGUETTA UNI6604 B 5X5X20
18	8.5.2.00038	4	ANELLO EL.SIC.X FOR 52 UNI7437
19	8.0.1.01945	1	CUSC. SFERE CLA 6204
20	8.0.1.00034	4	CUSC. SFERE CLB 6205
21	2.743.7015.00	1	LEVA INN. DISINN.
22	8.5.1.00004	5	ANELLO EL.SIC.X ALB 25 UNI7435
23	8.5.3.02351	1	AN.DI SPAL.X ALLOG. SB16
24	0.743.5012.00	1	ALBERO-PIGNONE Z12 M1.75
25	8.7.0.00692	4	CAPPELLOTTO DI CHI. 52X7
26	8.6.4.00673	1	SPIA LIV.FILET.guar. SIC 38
27	2.744.7006.00	1	NASTRO X FRENO
28	0.744.7005.00	1	PERNO
29	0.735.7103.00	1	MOLLA X FRENO
30	8.9.1.01713	1	POMOLO 4 LOBI 731-40 M8
31	8.3.2.00439	2	ROS.X VITI UNI6592 8,4X14
32	0.743.0301.00	1	SCATOLA
33	8.6.5.00006	1	TAPPO CON.ESAG. EST. 3/8"GAS
34	8.5.2.00131	2	ANELLO EL.SIC.X FOR 72 UNI7437
35	8.0.1.00870	2	CUSC. SFERE CLB 6207
36	8.5.1.00005	4	ANELLO EL.SIC.X ALB 35 UNI7435
37	0.743.7102.00	1	MOLLA
38	0.744.7104.00	1	DISTANZIALE 20.9x26.9x4
39	0.743.6006.00	1	CORONA I.D. Z62 M1.75
40	0.124.7101.00	1	TARGHETTA "COMER"
41	0.744.7004.00	1	TAMBURO FRENO
42	8.4.1.00232	1	LINGUETTA UNI6604 A 10X8X25
43	0.743.3002.00	1	ALBERO DI USCITA P.T.O.
44	8.7.3.00055	2	ANEL.TEN.NORM. BA 35X72X10
45	8.4.1.01342	1	LING. TEMPRATA B 10X8X20
46	0.743.6000.00	1	CORONA CILIND. Z62 M2
47	0.743.7510.00	2	SPES.REG. 25.2X34.8X1
48	0.721.7101.00	2	MOLLA
49	8.7.6.00191	2	GUARN.TEN.O-RING OR-3062
50	2.744.7002.00	1	LEVA CAMBIO 4VEL.
51	8.5.5.01316	1	MOLLA A TAZZA 40X20.4X1.5
52	8.2.2.00997	1	D.ES.INT.UNI5594 M20X1,5 PR80B
53	8.4.7.00760	1	COPIGLIA UNI1336 B4X35
54	8.4.5.00934	1	SPINA EL/TP.PES/ 5X24DIN1481

DENOMINAZIONE SCATOLA INGRANAGGI D-743A

CODICE 9.743.028.00

PCS.	N° DISEGNO	PEZZI	DESCRIZIONE
55	1.721.7002.00	1	MANOPOLA
56	8.5.9.00166	2	SFERA 5/16" 7,9MM
57	2.743.1320.00	1	COPERCHIO CAMBIO 4 VEL.
58	8.1.1.01676	6	VITE Zn TE UNI5739 M8X18 3.8
59	2.743.7014.00	1	LEVA INN. DISIN.INT.
60	0.743.7112.00	1	DADO AD ACCIACC. M20X1.5
61	0.104.7510.00	1	SPES.REG. 32.0x20.3x1.0
62	8.6.5.00203	1	TAPPO CON.ESAG.EST. 1/2"GAS
63	0.743.5019.00	1	ALBERO PIGNONE Z10 M2
64	0.743.6004.00	1	CORONA CILINDRICA Z53 M1.75
65	2.743.5022.00	1	ALBERO PIGNONE+LING.
66	0.743.7107.00	1	BOCCOLA AUTGLUBRIFICANTE
67	8.5.1.02281	1	ANEL.SIC.xALB.H=2 29 UNI7436
	A.743.005	1	
251	8.4.1.02097	1	LINGUETTA UNI6604 A 5X5X16
252	8.4.1.00713	1	LINGUETTA UNI6604 A 8X7X43