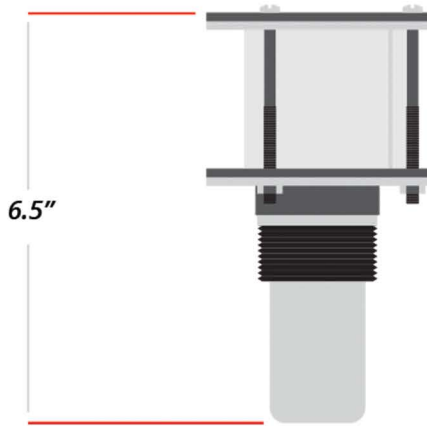


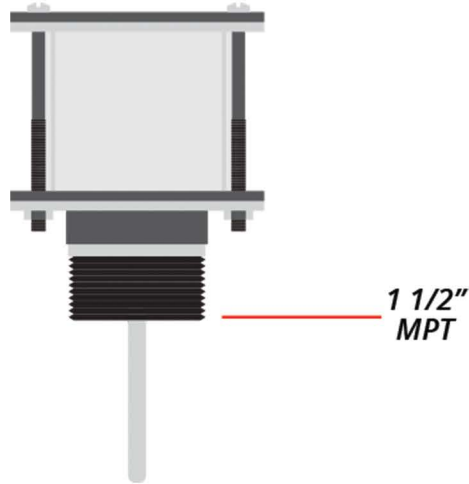
Everfilt Sight Glass

Our sight glass is constructed entirely out of 304L Stainless Steel for long life and dependability. With a completely unique design that allows for individual components to be replaced as needed. Impact resistant polycarbonate lens allows for easy visibility in the harshest conditions. Monitoring your source water or backwash water has never been easier. Assembly is made simple, by threading the sight glass into 2" FPT, making sure the paddle is facing the incoming or outgoing water head on.

Side View



Front View



Features

- Tig Welded Construction
- Stainless Steel & Corrosion Resistant
- Parts Available Through Local Dealer
- Adaptable for Use on Everfilt Carbon Steel, Stainless Steel & RST-Series Systems
- Available for Multi-System Use

