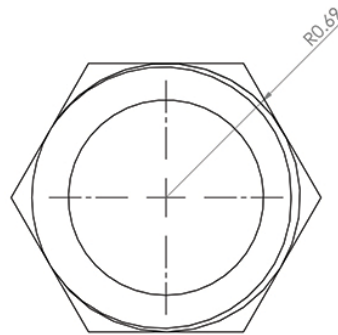
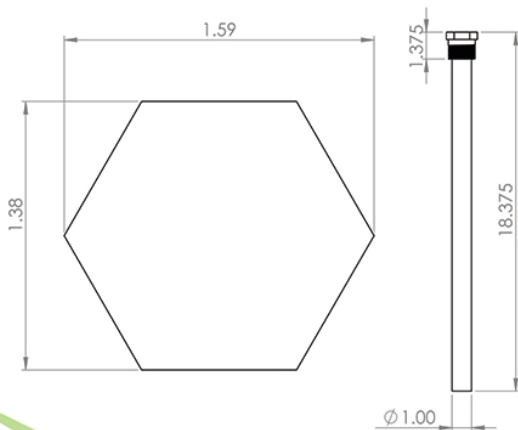
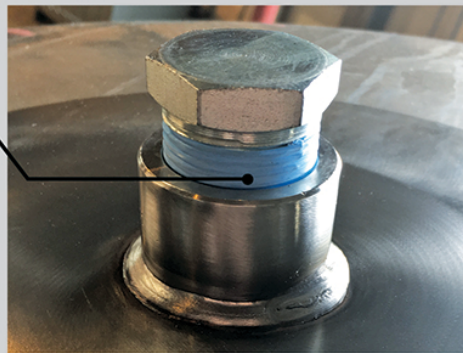


Sacrificial Anode **PN-1374**

Our anode rod is made of magnesium and placed into the top of the stainless steel filter. The purpose of an anode is to prevent corrosion by sacrificing itself before any damage is done to the tank. The anode being made of magnesium will corrode faster than the tank adding life to your tank and or system. Protecting your equipment is important. Recommended change interval when anode is 50% consumed.

TP-258



*New Anode / Consumed Anode





Anode Replacement Kit

*Replacement kit shown above

DESCRIPTION	PART #	TANKS	ANODES	TAPE	LABEL
KIT ANODE REPLACEMENT - 2 TANK	4087-10	2	2	1	2
KIT ANODE REPLACEMENT - 3 TANK	4087-11	3	3	1	3
KIT ANODE REPLACEMENT - 4 TANK	4087-12	4	4	2	4
KIT ANODE REPLACEMENT - 5 TANK	4087-13	5	5	2	5
KIT ANODE REPLACEMENT - 6 TANK	4087-14	6	6	2	6
KIT ANODE REPLACEMENT - 7 TANK	4087-15	7	7	3	7
KIT ANODE REPLACEMENT - 8 TANK	4087-16	8	8	3	8
KIT ANODE REPLACEMENT - 9 TANK	4087-17	9	9	3	9
KIT ANODE REPLACEMENT - 10 TANK	4087-18	10	10	4	10
KIT ANODE REPLACEMENT - 11 TANK	4087-19	11	11	4	11
KIT ANODE REPLACEMENT - 12 TANK	4087-20	12	12	4	12

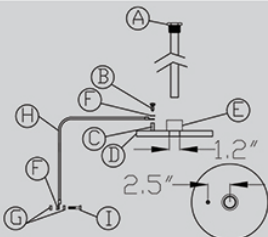


*Retro fit kit shown above

Anode Retrofit Kit

DESCRIPTION	PART #	TANKS	ANODES	TAPE	LABEL	COVER	LEAD
KIT ANODE RETROFIT - 2 TANK	4088-10	2	2	1	2	2	2
KIT ANODE RETROFIT - 3 TANK	4088-11	3	3	1	3	3	3
KIT ANODE RETROFIT - 4 TANK	4088-12	4	4	2	4	4	4
KIT ANODE RETROFIT - 5 TANK	4088-13	5	5	2	5	5	5
KIT ANODE RETROFIT - 6 TANK	4088-14	6	6	2	6	6	6
KIT ANODE RETROFIT - 7 TANK	4088-15	7	7	3	7	7	7
KIT ANODE RETROFIT - 8 TANK	4088-16	8	8	3	8	8	8
KIT ANODE RETROFIT - 9 TANK	4088-17	9	9	3	9	9	9
KIT ANODE RETROFIT - 10 TANK	4088-18	10	10	4	10	10	10
KIT ANODE RETROFIT - 11 TANK	4088-19	11	11	4	11	11	11
KIT ANODE RETROFIT - 12 TANK	4088-20	12	12	4	12	12	12

*Drill front leg to accept item "I"



NOZZLE SCHEDULE		
ITEM	DESCRIPTION	TYPE
A	ANODE, 1"X18"	MAGNESIUM
B	SCREW, CAP, 1/4-20X 1/2"	SS304
C	NUT, COUPLING 1/4-20 X 1/2"	SS304
D	0.62" X 0.62" FILLPORT COVER	ANODE, 1"X18"
E	COUPLING, HALF, 1" 3000H	SS304
F	WASHER, TOOTH, 1/2"	SS304
G	NUT, HEX 1/4-20	SS304
H	CABLE, GND, BLK #6 X 36"	N/A
I	SCREW, CAP, 1/4-20 1 1/4"	SS304

*Please Contact A Sales Representative For Details

Anode Replacement Instructions

1. Depressurize filter system
2. Remove anode by using 1 3/8" (35mm) wrench
3. Clean threads with rag
4. Apply teflon tape to anode threads
5. Thread anode into anode coupling
6. Tighten securely