

Contents

1 Safety and precautions	1-1
Safety Instructions	1-1
Avoid unintended Start.	1-1
2 Introduction	2-1
General Description	2-2
3 Supported Configuration	3-1
Introduction	3-1
Fixed-speed Pump Configuration	3-3
Master-Follower Configuration	3-4
Mixed Pump Configuration	3-5
Unequal Size Pump Configuration	3-6
Mixed Pump Configuration with Alternation	3-7
Soft Starters	3-9
4 Configuring the System	4-1
Introduction	4-1
Setting up the cascade parameters	4-1
Additional Configuration for Multiple Drives	4-1
Closed-loop Control	4-2
Staging /De-staging of Variable Speed Pumps Based on Drive Speed	4-2
Staging/De-staging of Fixed-speed Pumps Based on Pressure Feedback	4-3
5 Cascade Controller Features	5-1
Pump Status and Control	5-1
Manual Pump Control	5-1
Runtime Balancing	5-2
Pump Spin for unused pumps	5-2
Total lifetime hours	5-3
Alternation of the Lead Pump	5-3
Staging / De-staging in Mixed Pump Configurations	5-3
Override Staging /De-staging	5-4
Minimum Speed De-staging	5-4
Fixed speed only operation	5-4
6 How to Program	6-1
Extended Cascade Controller Parameters	6-1

Cascade CTL Option 27-**	6-1
Control & Status, 27-0*	6-1
Configuration, 27-1*	6-2
Bandwidth Settings, 27-2*	6-4
Staging Speed, 27-3*	6-6
Staging Settings, 27-4*	6-7
Alternation Settings, 27-5*	6-10
Connections, 27-7*	6-11
Readouts, 27-9*	6-11
Cascade CTL Option 27-**	7-1
8 Annex A - Master/Follower Application Note	8-1
Master/Follower Operation	8-1
9 Index	9-1

1 Safety and precautions

1

1.1.1 High Voltage Warning



The voltage of the adjustable frequency drive and the MCO 101 option card is dangerous whenever they are connected to line power. Incorrect installation of the motor or adjustable frequency drive may cause damage to the equipment, serious injury or death. Consequently, it is essential to comply with the instructions in this manual as well as local and national rules and safety regulations.

1.1.2 Safety Instructions



Prior to using functions that directly or indirectly influence personal safety (e.g., **Safe Stop** or other functions either forcing the motor to stop or attempting to keep it functioning), a thorough **risk analysis** and **system test** must be carried out. The system tests **must** include testing failure modes regarding the control signaling (analog and digital signals and serial communication).

- Make sure the adjustable frequency drive is properly grounded.
- Do not remove AC line input connections, motor connections or other power connections while the adjustable frequency drive is connected to line power.
- Protect users against supply voltage.
- Protect the motor against overloading in accordance with national and local regulations.
- The ground leakage current exceeds 3.5 mA.
- The [OFF] key is not a safety switch. It does not disconnect the adjustable frequency drive from line power.




1.1.3 Avoid unintended Start.

While the adjustable frequency drive is connected to line power, the motor can be started/stopped using digital commands, bus commands, references or via the Local Control Panel.

- Disconnect the adjustable frequency drive and the MCO 101 option card from line power whenever personal safety considerations make it necessary to avoid the unintended start of a motor.
- To avoid an unintended starts, always activate the [OFF] key before changing parameters.

1.1.4 Software Version

Extended Cascade Controller Option for
VLT AQUA Drive FC 200
Instruction Manual
Software version: 1.24

This Instruction Manual can be used with all Extended Cascade Controller options with software version 1.24.

**NOTE!**

MCO 101 is software supported as of version 1.05 onwards and MCO 102 as of version 1.24.

When reading through this instruction manual, you will come across various symbols that require special attention.

The symbols used are the following:

Indicates a general warning.

**NOTE!**

Indicates something to be noted by the reader.



Indicates a high-voltage warning.

1.1.5 Caution

The adjustable frequency drive DC link capacitors remain charged after power has been disconnected. To avoid the risk of electrical shock, disconnect the adjustable frequency drive from the line power before performing maintenance procedures. Wait at least as long as follows before servicing the adjustable frequency drive:



Voltage	Min. Waiting Time			
	4 min.	15 min.	20 min.	30 min.
200–240 V	0.34–5 hp [0.25–3.7 kW]	7.5–60 hp [5.5–45 kW]		
380–480 V	0.5–10 hp [0.37–7.5 kW]	15–125 hp [11–90 kW]	150–160 hp [110–250 kW]	450–1350 hp [315–1000 kW]
525–600 V	1–10 hp [0.75 kW–7.5 kW]	15–125 hp [11–90 kW]		
525–690 V			60–550 hp [45–400 kW]	600–1600 hp [450–1200 kW]

Be aware that there may be high voltage on the DC link even when the LEDs are turned off.



2 Introduction

2

2.1.1 Introduction to the MCO 101 and MCO 102

The MCO 101 and 102 are add-on options which extend the supported number of pumps and the functionalities of the built-in cascade controller in the VLT® AQUA Drive.

The extended cascade controller can be used in two different modes.

It can either be used with the extended features controlled by parameter group 27** or it can be used to extend the number of available relays for the basic cascade controlled by parameter group 25**.

When one of the cascade options is installed, only group 27 will appear. If the option needs to extend the relays in the built-in cascade controller group 25, the basic cascade can be enabled in parameter 27-10, after which group 25 will be visible again in the main menu. If 27-10 is set to Basic Cascade, only the basic cascade functionality will be available, but three relays will be added to make a total of five relays.

When using group 27** Extended / Advanced Cascade Control, the systems with pump alternation can be set up with two relays per pump, which reduces the need for external equipment.

With the MCO 101, a total of five relays can be used in cascade with the MCO 102. A total of eight pumps can be controlled.

NOTE!

If the MCO 102 is installed, the relay option MCB 105 can extend the number of relays to 13.

2.1.2 Extended Cascade Controller, MCO 101, and Advanced Cascade Controller, MCO 102

Cascade control is a common control system used to control parallel pumps or fans in an energy-efficient way.

The Cascade Controller option provides the capability to control multiple pumps configured in parallel in a way that makes them appear as a single larger pump.

When using cascade controllers, the individual pumps are automatically turned on (staged) and turned off (de-staged) as needed in order to satisfy the required system output for flow or pressure. The speed of the pumps connected to VLT AQUA Drives is also controlled to provide a continuous range of system output.

2.1.4 Extended Cascade Control MCO 101

The MCO 101 option includes three change-over contacts and can be inserted into option slot B.

Electrical Data:

Max terminal load (AC)	240 V AC 2A
Max terminal load (DC)	24 V DC 1 A
Min terminal load (DC)	5 V 10 mA
Max switching rate at rated load/min load	6 min ⁻¹ /20 sec ⁻¹

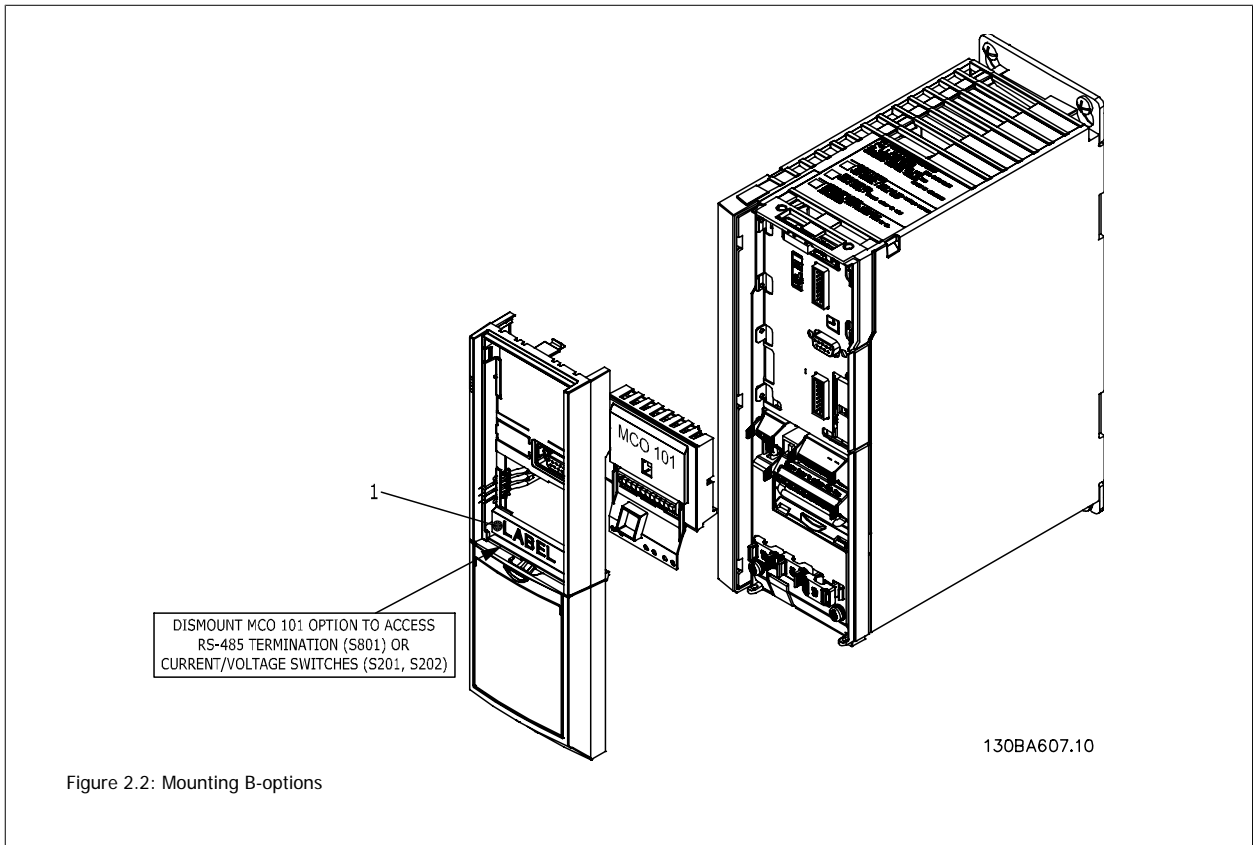


Figure 2.2: Mounting B-options



Warning Dual supply



NOTE!

The label **MUST** be placed on the LCP frame as shown (UL-approved).

How to add the MCO 101 option:

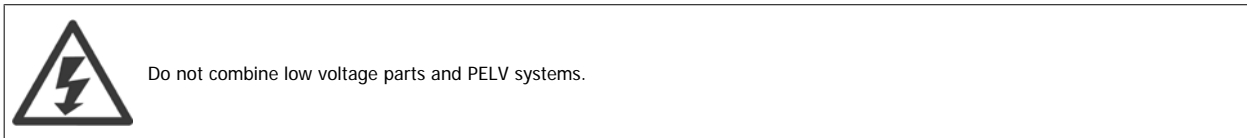
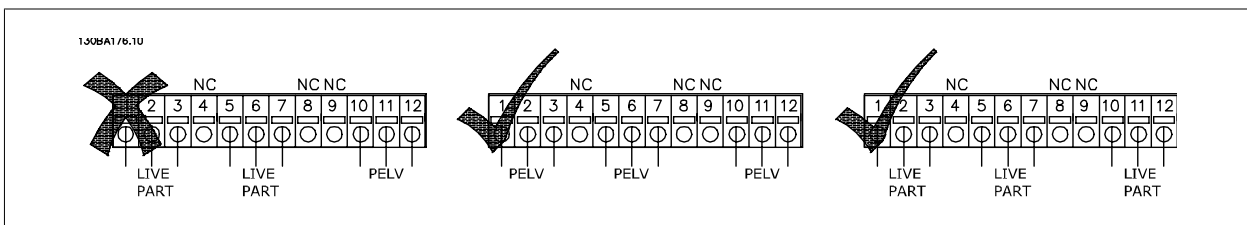
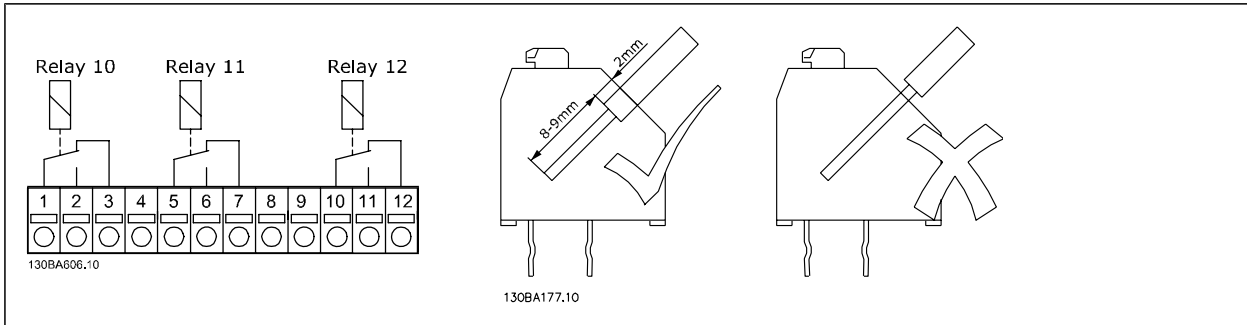
- The power to the adjustable frequency drive must be disconnected.
- The power to the live part connections on relay terminals must be disconnected.
- Remove the LCP, the terminal cover and the cradle from the FC 202.
- Fit the MCO 101 option in slot B.

2 Introduction

2

- Connect the control cables and fasten the cables by the enclosed cable strips.
- Different systems must not be mixed.
- Fit the extended cradle and terminal cover.
- Replace the LCP.
- Connect power to the adjustable frequency drive.

Wiring the Terminals



2.1.5 Advanced Cascade Control MCO 102

The MCO 102 option supports a maximum of eight pumps and is able to alternate the lead pump with two adjustable frequency drive relays per pump. This reduces the need for external auxiliary switches as well as the cost of installation.

When the MCO 102 (C-option) is used, the number of relays can be increased to a total of 13 by adding the MCB 105 (B option).

Electrical Data:

Max terminal load (AC)	240 V AC 2A
Max terminal load (DC)	24 V DC 1 A
Min terminal load (DC)	5 V 10 mA
Max switching rate at rated load/min load	6 min ⁻¹ /20 sec ⁻¹

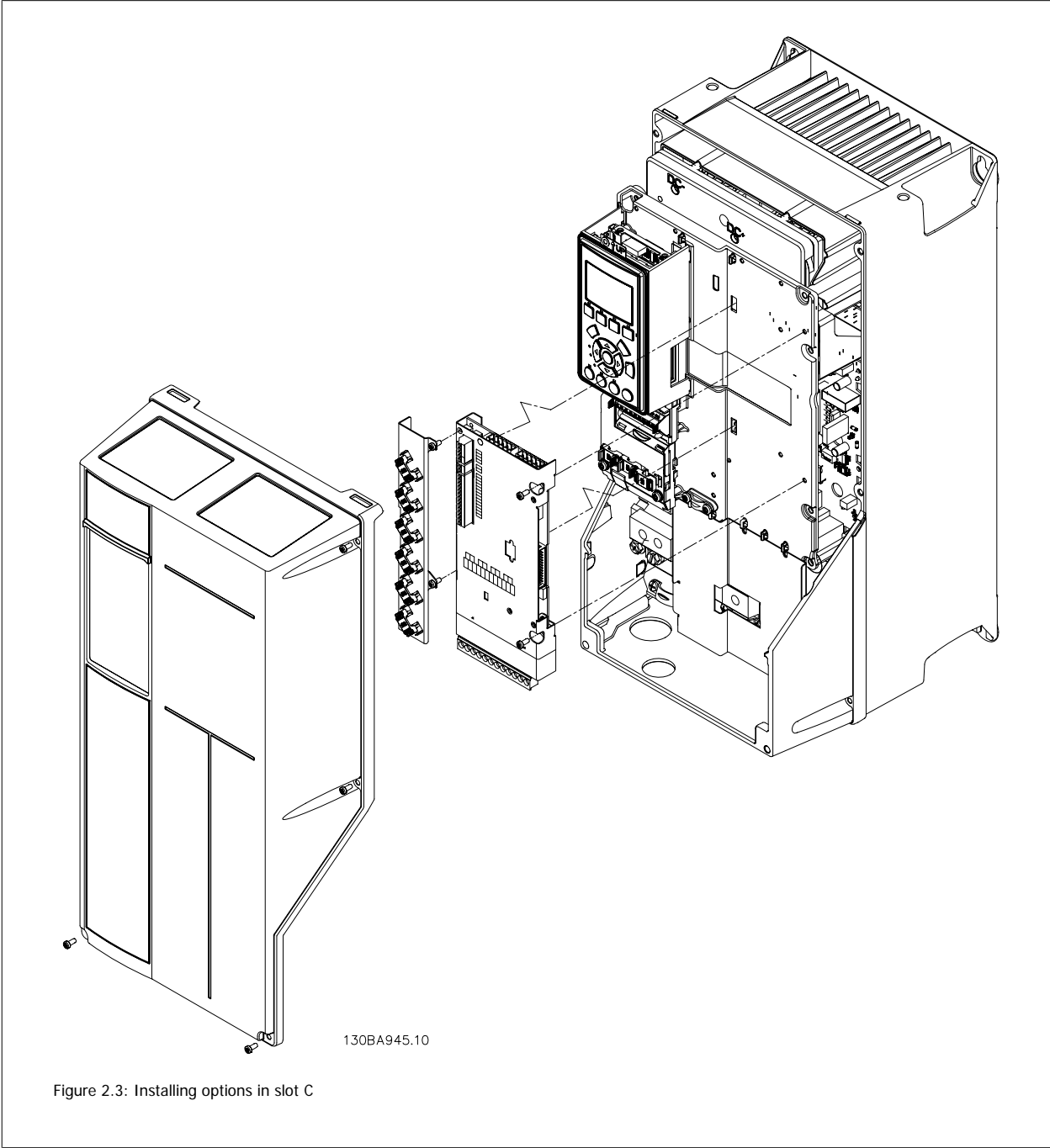



Figure 2.3: Installing options in slot C

 **NOTE!**
Before starting, interrupt the power supply to the adjustable frequency drive. Never install an option card in the adjustable frequency drive during operation.

- How to add the MCO 102 option:
- The power to the adjustable frequency drive must be disconnected.
 - The power to the live part connections on relay terminals must be disconnected.
 - Remove the LCP, the terminal cover and the cradle from the FC 202.

2

- Insert the MCO 102 option in slot B.
- Connect the control cables and fasten the cables by the enclosed cable strips.
- Different systems must not be mixed.
- Fit the extended cradle and terminal cover.
- Replace the LCP.
- Connect power to the adjustable frequency drive.

The VLT Advanced Cascade Control Card MCO 102 option is exclusively intended for use in option slot C1. The mounting position of C1 options is shown in the drawing below.

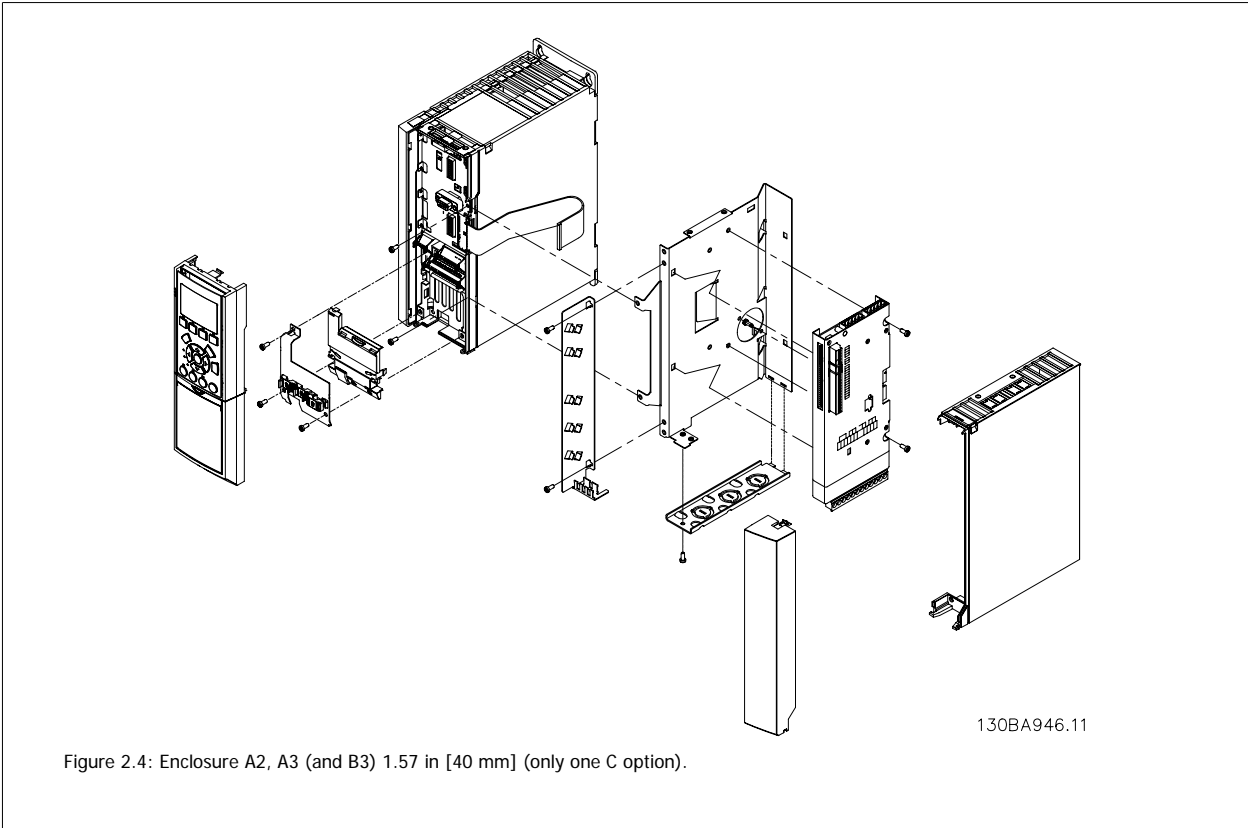


Figure 2.4: Enclosure A2, A3 (and B3) 1.57 in [40 mm] (only one C option).

Wiring the Terminals:

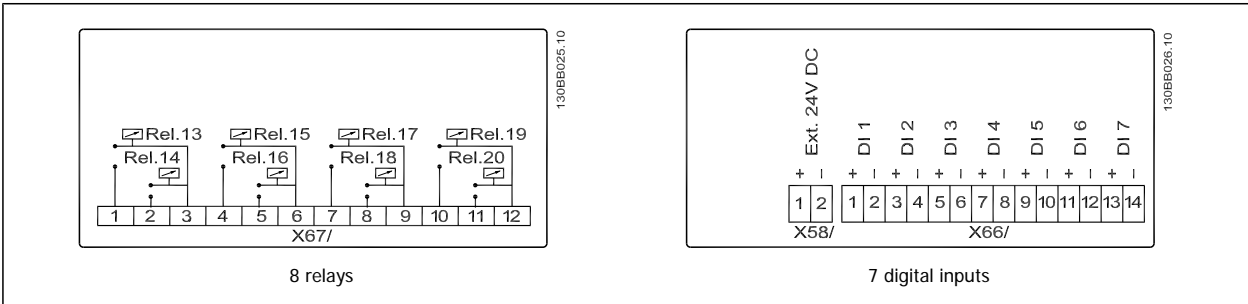


Table 2.1: Advanced Cascade Controller MCO 102 terminal connections

3 Supported Configuration

3.1.1 Introduction

The extended and advanced cascade controllers support a variety of different pumps and Drive configurations. All of these configurations must have at least one variable speed pump, controlled by a VLT AQUA Drive, with the extended and advanced cascade controller option card installed. They support 1 to 8 additional pumps each connected to either a Danfoss VLT Drive with master/follower or to line power through a contactor or soft starter for a direct online system.

When setting up the system, it is necessary to create a hardware configuration, which communicates with the master to determine how many pumps and drives are connected. The necessary hardware is described in the following hardware configuration examples.

The following describes the features and how to use the extended cascade in parameter group 27:

3.1.2 Extension of Basic Cascade

Use of the extended cascade option MCO 101 as an extension of the basic cascade built into drive 3.1.2

In applications already controlled by the built-in cascade controller in group 25**, the option card can be used to extend the numbers of relays for cascade control. For instance, if a new pump is added to the system. It can also be used in case it is necessary to alternate the lead pump in systems with more than 2 drives, which is the limit for the basic cascade without the MCO 101 option installed.

Install the option in slot B, enable the basic cascade in P27-10. Please refer to AQUA Programming guide for parameter group 25 settings.

Example: The electrical wiring diagram for the external equipment needed for systems with an alternating lead pump of four pumps using the basic cascade and the MCO 101 as a relay extension.

3

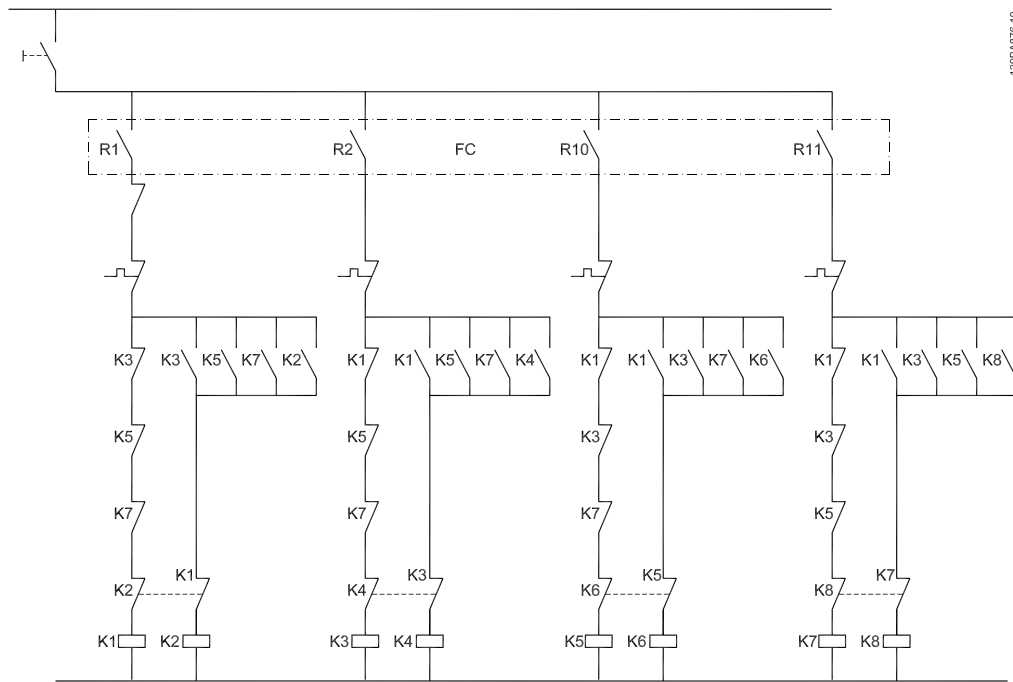


Figure 3.1: Control circuit alternating lead pump (4 pumps).

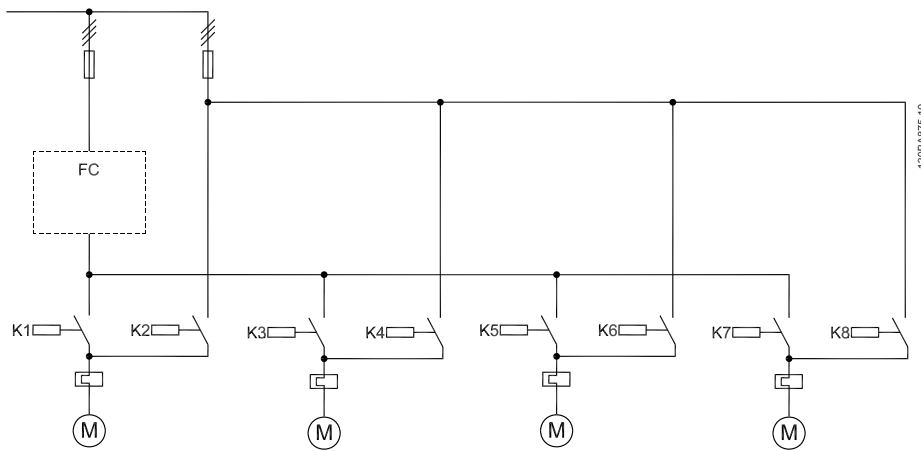


Figure 3.2: Line power circuit alternating lead pump (4 pumps).

3.1.3 Fixed-speed Pump Configuration

In this configuration, a single drive controls one variable speed pump and up to 7 fixed-speed pumps. The fixed-speed pumps are staged and de-staged as needed directly online through contactors. The single pump connected to the drive provides the finer level of control needed between the stages.

The direct-online pumps are staged or de-staged depending on the feedback.

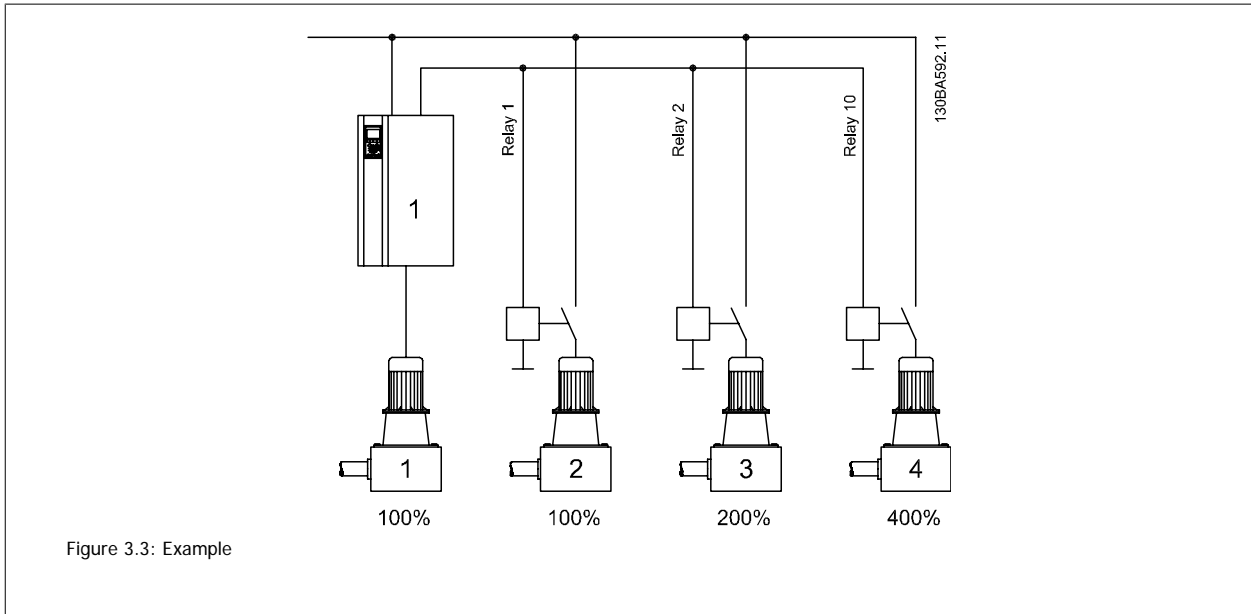


Figure 3.3: Example

For this configuration, relay selections in Group 27-7* “Connections” are as follows:

- 27-70 RELAY 1 → [73] Pump 2 to Line Power
- 27-71 RELAY 2 → [74] Pump 3 to Line Power
- 27-72 RELAY 10 → [75] Pump 4 to Line Power
- 27-73 RELAY 11 → [0] Standard Relay
- 27-74 RELAY 12 → [0] Standard Relay

The fixed speed pump configuration provides a cost effective method for controlling up to 6 pumps. It is able to control system output by controlling the number of running pumps as well as the speed of the single variable speed pump. It will however produce wider pressure fluctuations during staging/de-staging transitions and it may be less energy efficient than the Master-Follower configurations.

3.1.4 Master-Follower Configuration

In this configuration, each pump is controlled by an adjustable frequency drive. All of the pumps and adjustable frequency drives must be of the same size. Staging and de-staging decisions are made based on the speed of the adjustable frequency drives. Constant pressure is controlled by the master drive operating in closed-loop. The speed will be the same in all running pumps with extended control. Up to 6 pumps can be controlled (with Advanced Control, up to 8 pumps).

3

In master/follower mode, the MCO 101 supports up to 6 pumps - the MCO 102 up to 8 pumps. Please see *Master/Follower Operation Application for FC 200* (Annex A) for further details.

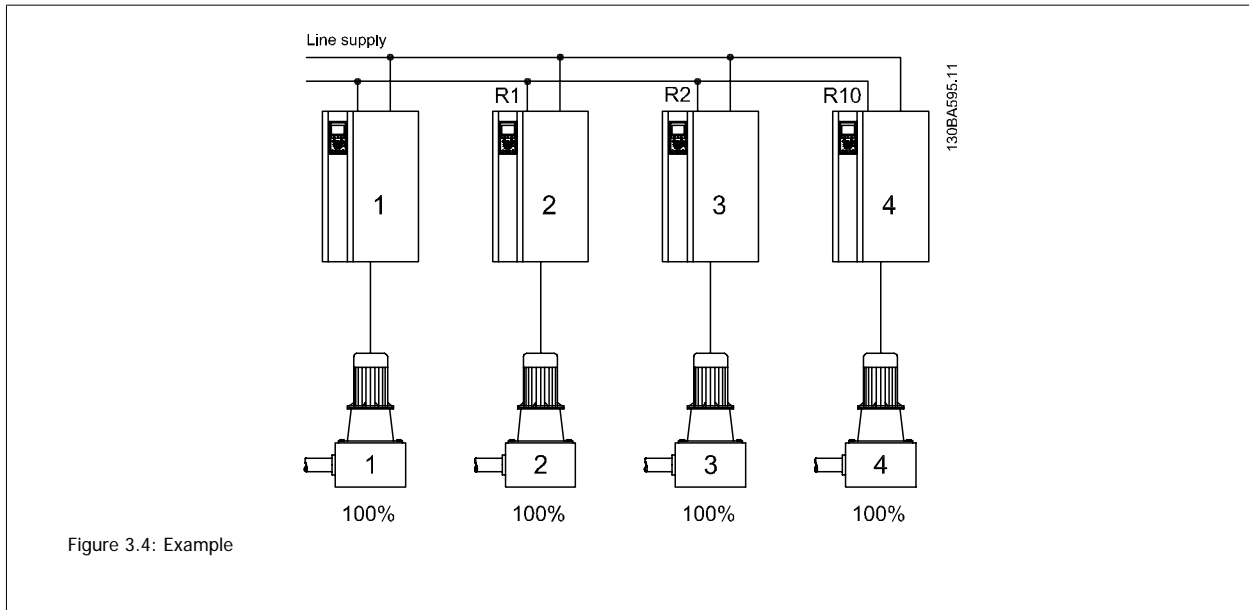


Figure 3.4: Example

For this configuration, relay selections in Group 27-7* "Connections" are as follows:

- 27-70 RELAY 1 → [1] Drive 2 Enable
- 27-71 RELAY 2 → [2] Drive 3 Enable
- 27-72 RELAY 10 → [3] Drive 4 Enable
- 27-73 RELAY 11 → [0] Standard Relay
- 27-74 RELAY 12 → [0] Standard Relay

The master/follower configuration provides the gentlest transition from one stage to the next and the most energy-efficient operation. For most installations, the energy savings make this the most cost-effective configuration.

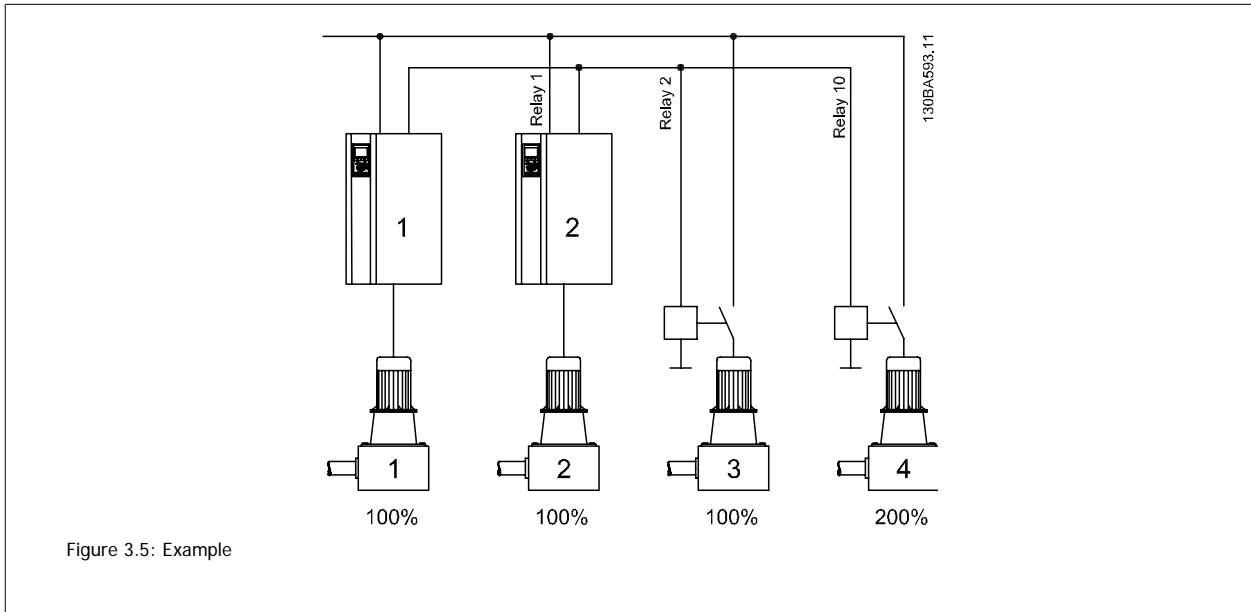
The system will automatically balance all pumps at runtime depending on the pump prioritization set in par. 27-16. The master/follower system provides a certain level of redundancy. If the master drive trips, it will continue to control the follower drives.

MCB-107 External 24 VDC power supply can be added to increase the level of redundancy.

Furthermore, it reduces wear and tear on pumps and motors. The relays set to [0] Std. Relay, can be used as general purpose relays, controlled by the parameters in group 5-4*.

3.1.5 Mixed Pump Configuration

The Mixed Pump configuration supports a mix of variable speed pumps connected to drives as well as additional fixed-speed pumps. In this configuration, all of the variable speed pumps and drives must be the same size. The fixed-speed pumps may be of different sizes. The variable speed pumps are staged on and staged off first based on drive speed. The fixed-speed pumps are then staged on last and staged off last based on the feedback pressure.



For this configuration, relay selections in Group 27-7* "Connections" are as follows:

- 27-70 RELAY 1 → [1] Drive 2 Enable
- 27-71 RELAY 2 → [74] Pump 3 to Line Voltage
- 27-72 RELAY 10 → [75] Pump 4 to Line Voltage
- 27-73 RELAY 11 → [0] Standard Relay
- 27-74 RELAY 12 → [0] Standard Relay

This configuration provides some of the benefits of the Master-Follower configuration with some of the initial cost savings of the Fixed Speed configuration. It is a good choice when the extra capacity of the fixed pumps is rarely needed.

3.1.6 Unequal Size Pump Configuration

The Unequal Size Pump configuration supports a limited mix of fixed-speed pumps in different sizes. It provides for the largest range of system output with the smallest number of pumps.

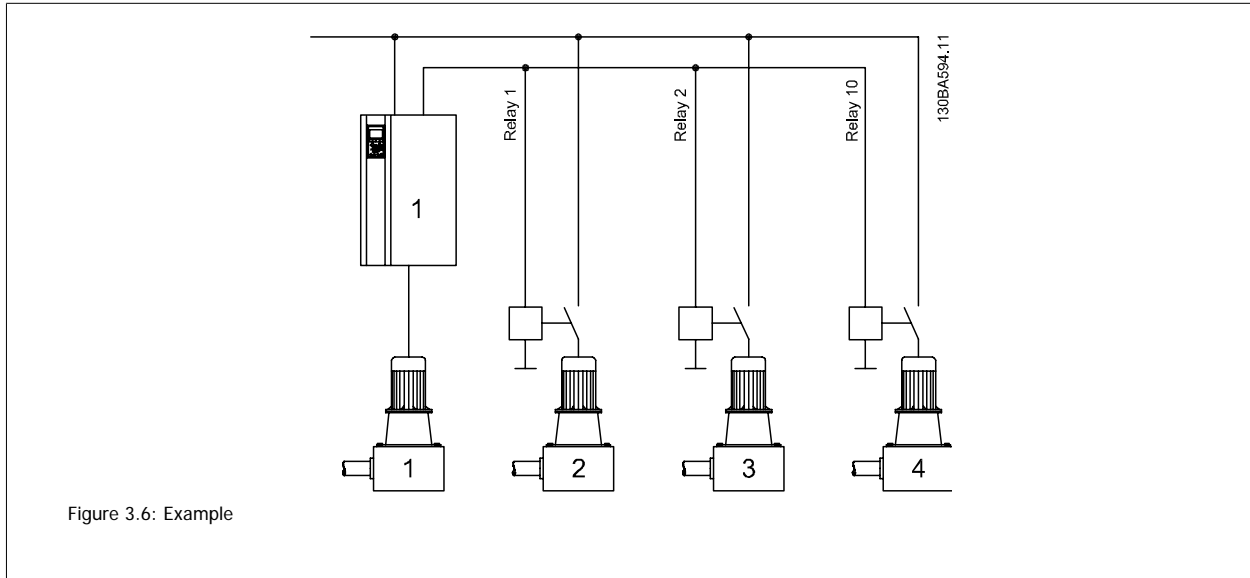


Figure 3.6: Example

For this configuration, relay selections in Group 27-7* "Connections" are as follows:

- 27-70 RELAY 1 → [73] Pump 2 to Line Voltage
- 27-71 RELAY 2 → [74] Pump 3 to Line Voltage
- 27-72 RELAY 10 → [75] Pump 4 to Line Voltage
- 27-73 RELAY 11 → [0] Standard Relay
- 27-74 RELAY 12 → [0] Standard Relay

Not all configurations of unequal size pumps are valid. For a configuration to be valid, it must be possible to stage pumps in increments of 100% of the size of the master drive's variable speed pump. This is necessary since the variable speed pump must be able to control the output between the fixed-speed stages.

Valid Configurations

100% is defined as the maximum flow produced by the pump connected to the master drive. The fixed-speed pumps must be multiples of this size.

Variable Speed	Fixed Speed
100%	100% + 200%
100%	100% + 200% + 200%
100%	100% + 100% + 300%
100%	100% + 100% + 300% + 300%
100%	100% + 200% + 400%
100% + 100%	200%
100% + 100%	200% + 200%

(Other valid configurations are possible)

Invalid Configurations

Invalid configurations will still run but will not stage on all of the pumps. This is done to allow for limited operation if a pump fails or is interlocked in this configuration.

Variable Speed	Fixed Speed	
100%	200%	(no control between 100% and 200%)
100%	100% + 300%	(no control between 200% and 300%)
100%	100% + 200% + 600%	(no control between 400% and 600%)

3.1.7 Mixed Pump Configuration with Alternation

In this configuration, it is possible to alternate the drive between two pumps along with controlling additional fixed-speed pumps. The cascade controller will attempt to balance the running hours between all of the pumps as specified by the Runtime Balancing parameter.

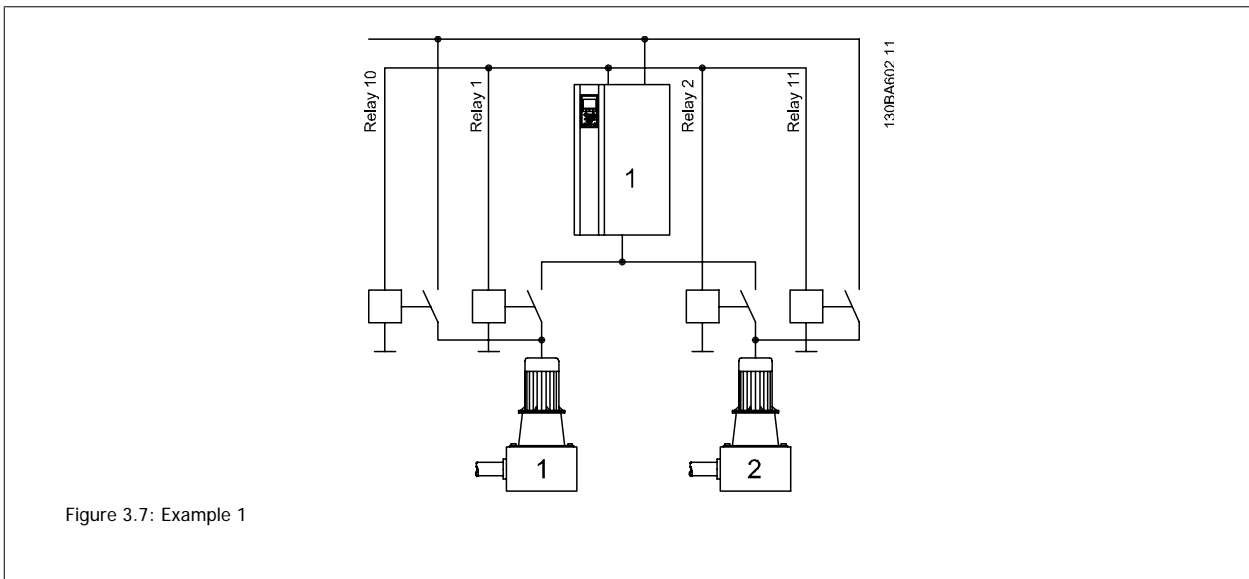


Figure 3.7: Example 1

The two pumps can be either variable speed or fixed-speed with equal running hours.

For this configuration, relay selections in Group 27-7* "Connections" are as follows:

- 27-70 RELAY 1 → [8] Pump 1 to Drive 1
- 27-71 RELAY 2 → [16] Pump 2 to Drive 1
- 27-72 RELAY 10 → [72] Pump 1 to Line Voltage
- 27-73 RELAY 11 → [73] Pump 2 to Line Voltage
- 27-74 RELAY 12 → [0] Standard Relay

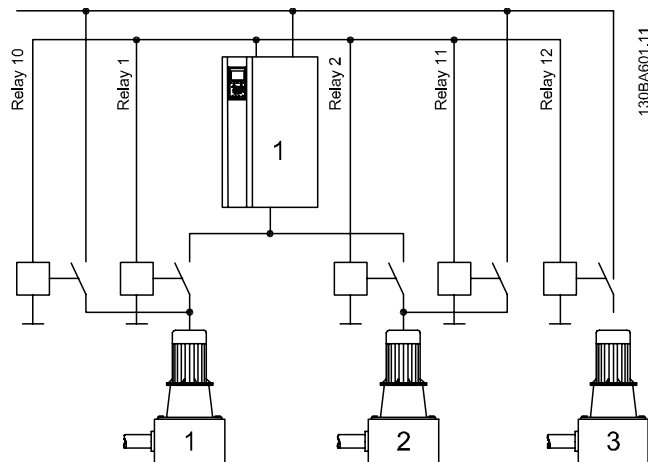


Figure 3.8: Example 2

The first two pumps can be either variable speed or fixed-speed with equal running hours between all three pumps as long as the system demand is typically greater than 1 pump.

For this configuration, relay selections in Group 27-7* "Connections" are as follows:

- 27-70 RELAY 1 → [8] Pump 1 to Drive 1
- 27-71 RELAY 2 → [16] Pump 2 to Drive 1
- 27-72 RELAY 10 → [72] Pump 1 to Line Voltage
- 27-73 RELAY 11 → [73] Pump 2 to Line Voltage
- 27-74 RELAY 12 → [74] Pump 3 to Line Voltage

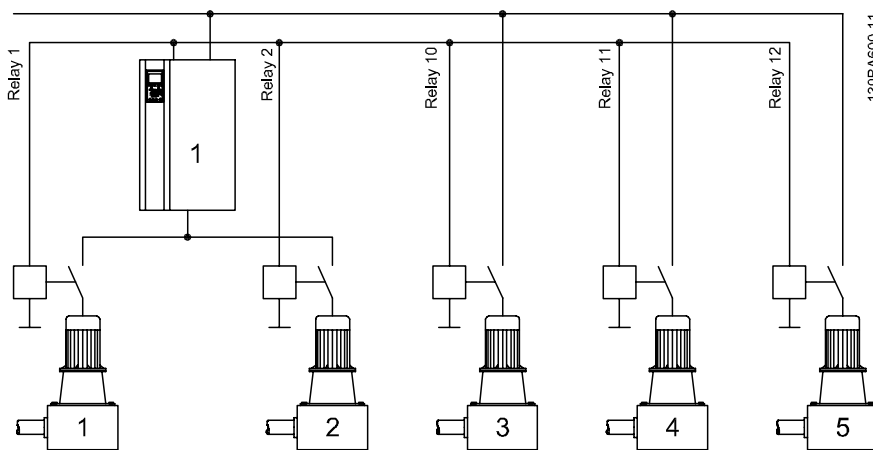


Figure 3.9: Example 3

The first two pumps alternate each with 50% of the running hours. The fixed-speed pumps turned on and off as needed with equal running time between them.

For this configuration, relay selections in Group 27-7* "Connections" are as follows:

- 27-70 RELAY 1 → [8] Pump 1 to Drive 1
- 27-71 RELAY 2 → [16] Pump 2 to Drive 1

27-72 RELAY 10 → [74] Pump 3 to Line Voltage

27-73 RELAY 11 → [75] Pump 4 to Line Voltage

27-74 RELAY 12 → [76] Pump 5 to Line Voltage

3.1.8 Soft Starters

Soft starters can be used in place of contactors for any configuration using fixed speed pumps. If soft starters are selected, they must be used for ALL fixed speed pumps. Mixing soft starters and contactors will result in an inability to control the output pressure during staging and de-staging transitions. When using soft starters, a delay will be added from when the staging signal occurs until staging takes place. The delay is necessary due to the ramp time of the fixed speed pump because of the soft starter.



4 Configuring the System

4.1.1 Introduction

The extended and advanced cascade controller can be quickly configured using many of the default parameters. However, it is first necessary to describe the configuration of the adjustable frequency drives and pumps in the system, and to describe the desired level of control of the system's output.

4.1.2 Setting up the cascade parameters

Parameter groups 27-1* "Configuration" and 27-7* "Connections" are used to define the hardware configuration of the installation. Start the configuration of the cascade controller by selecting values for the parameters in the 27-1* "Configuration" group.

Parameter no.	Description
27-10	The cascade controller can be used to enable or disable the extended cascade controller. The Mixed Pump selection is the general selection for the cascade controller. If using one drive per pump, the master/follower configuration can be selected to reduce the number of parameters needed to set up the system.
27-11	Number of Drives
27-12	Number of Pumps - Will default to the Number of Drives.
27-14	Pump Capacity for each pump (Indexed Parameter) - If all of the pumps are the same size, the default values are to be used. To adjust: first, choose the pump, click OK, and adjust the capacity.
27-16	Runtime Balancing for each pump (Indexed Parameter) - If the system should equally balance the running hours between the pumps, then use the default values.
27-17	Motor Starters - all fixed speed pumps must be the same.
27-18	Spin Time for Unused Pumps - Depends on the size of the pumps.

Next, the relays used to turn pumps on and off need to be defined. Parameter group 27-7* "Connections" provides a list of all of the available relays:

- Each follower drive in the system needs to have one relay assigned to enable/disable the drive as needed.
- Each fixed speed pump needs to have one relay assigned to control the contactor or enable the soft starter to turn the pump on/off.
- If it is necessary to have a single drive alternate between two pumps, then additional relays need to be assigned to provide this capability.

Any unused relays will be available for other functions through the parameter group 5-4* Relays.

4.1.3 Additional Configuration for Multiple Drives

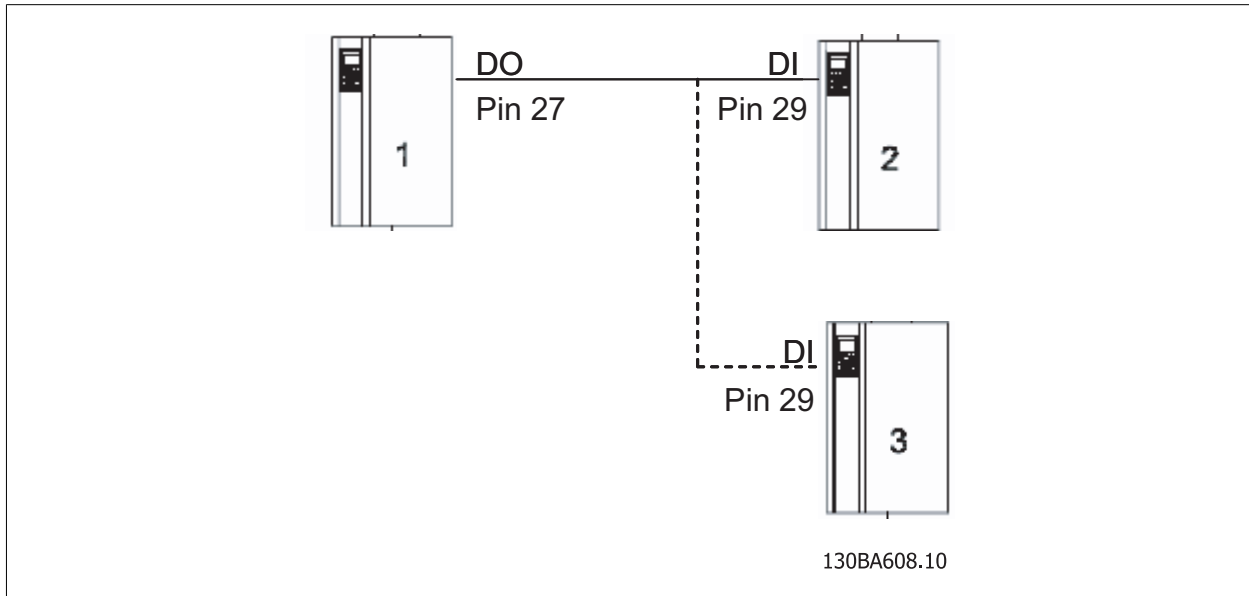
When more than one adjustable frequency drive is used in the cascade controller, it is necessary for the Master Drive to tell the Follower Drives how fast to run. This is accomplished using a digital signal between the adjustable frequency drives.

The master drive must use a digital output pin to output the required frequency for all of the adjustable frequency drives. All of the adjustable frequency drives always run at the same speed. Par. 5-01 is set to [Output], par. 5-30 to [Pulse output] and par. 5-60 to [Cascade ref.].

Each of the follower drives must then be set to open-loop and must use a digital input as their speed reference. This can be done by setting par. 1-00 Configuration Mode to [0] Open-loop and par. 3-15 to selection [7] Frequency Input 29 and par. 5-13 to [32] Pulse input.

The 3-41 Ramp-up Time and 3-42 Ramp-down Time must be the same for the master drive and for all of the follower drives in the system.

These ramps should be set fast enough to enable the PID controller to maintain control of the system.



4.1.4 Closed-loop Control

The master drive is the primary controller for the system. It monitors the output pressure, adjusts the speed of the adjustable frequency drives and decides when to add or remove stages. To perform this function the master drive must be set up in closed-loop mode with a feedback sensor connected to an analog input of the drive.

The PID controller of the master drive must be set up to match the needs of the installation. Setting up the PID parameters is described in the *VLT AQUA Drive Programming Guide* and will not be covered in this manual. Please also refer to the application note Master/Follower Operation included in this manual.

4.1.5 Staging /De-staging of Variable Speed Pumps Based on Drive Speed

In master/follower configurations and mixed-pump configurations, the variable speed pumps are staged and de-staged based on the speed of the drives.

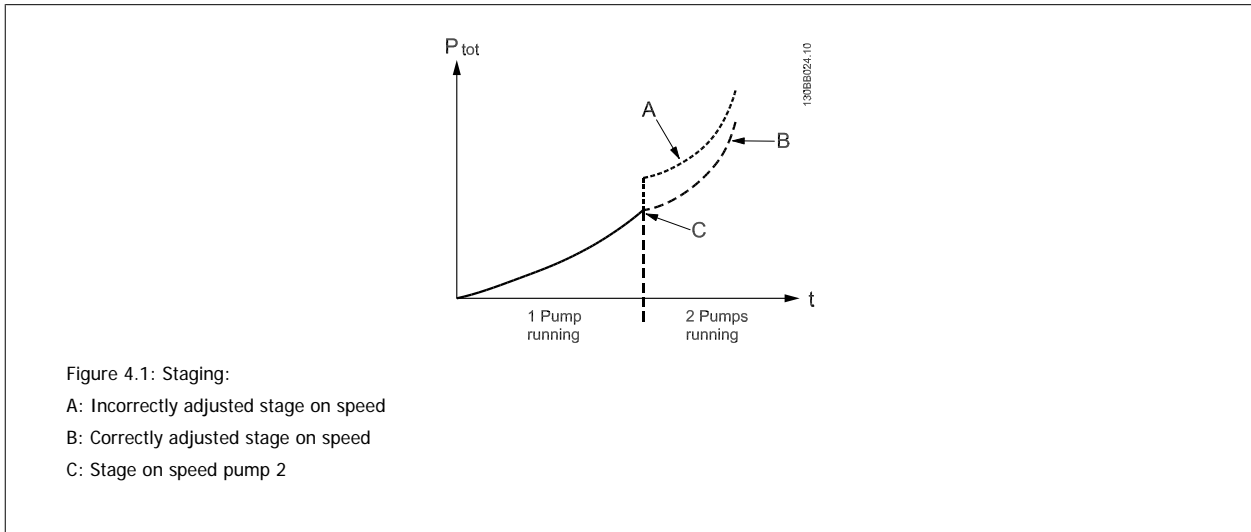
Staging occurs when the speed of the drives has reached the value in parameter 27-31 (27-32) Stage on Speed. At this speed the system pressure is still maintained, but the pumps begin to operate outside of their peak efficiency points. Staging on an additional pump will lower the speed of all of the running pumps and provide a more energy efficient operation.

De-staging occurs when the speed of the drives drops below the value in parameter 27-33 (27-34) Stage Off Speed. At this speed the system pressure is still maintained, but the pumps begin to operate below their peak efficiency points. De-staging a pump will cause the speed of the drives to increase to a more energy-efficient range.

Parameters 27-31 (27-32) Stage on Speed and 27-33 (27-34) Stage Off Speed are installation dependent. These parameters are indexed parameters with one set of entries for each pump stage.

The stage on and de-stage off speed can be auto-tuned during automation or set manually. If auto-tune is enabled, the system will start operation using default settings or the pre-settings set by the user in P27-31 (27-32) and 27-33 (27-34) before enabling auto-tune.

The goal is to find the stage on and off speeds where the system is most energy efficient. See the drawing below.



When the system is set in operation, it will monitor the actual energy consumption and fine adjust every time a stage or de-stage takes place.

Over time, this feature will ensure the most energy-efficient operation, taking into account wear and tear on the pump system.

Danfoss has made available the Multiple Unit Staging Efficiency Calculator (MUSEC), a free software program available on the Danfoss web site. By entering pump and system data, MUSEC provides the optimal settings for the Stage On and Stage Off speed parameters.

4.1.6 Staging/De-staging of Fixed-speed Pumps Based on Pressure Feedback

Fixed speed pumps are staged based on a drop in system pressure, and are de-staged based on an increase in system pressure.

Since it is undesirable to have pumps turning on and off rapidly, an acceptable range of system pressure needs to be defined along with a period of time the pressure is allowed to be outside of this range before staging or de-staging occurs. These values are set through parameters 27-20 "Normal Operating Range" 27-23 "Staging Delay" and 27-24 "De-staging Delay".

These parameters are installation dependent and should be set to meet the requirements of the system.

Automatic stage / de-stage threshold

The speed of the variable speed pump at the point of staging or de-staging is defined by a stage threshold or a de-stage threshold. These settings are used in order to reduce minimum overpressure/underpressure at staging or de-staging as much as possible.

Compared to the basic cascade built in the drive, these settings can be auto-tuned in extended and advanced cascade options MCO101 and MCO102.

If enabled, the auto-tune of the staging and de-staging threshold monitors the feedback at the point of staging or de-staging and fine-adjusts the settings every time staging takes place in order to keep the system optimized over time while taking into account wear and tear on the pumps.

New parameter descriptions:			
Number	Display name	Range	Default
27-30	Auto Tune Staging Speeds	{Disabled [0], Enabled [1]}	Enabled [1]
27-40	Auto-tune Staging Settings	{Disabled [0], Enabled [1]}	Enabled [1]



5 Cascade Controller Features

5.1.1 Introduction

Once the cascade controller has been configured, it can be enabled or disabled through parameter 27-10 "Cascade Controller." To start the cascade controller, the master drive needs to be started as a normal drive through the LCP or through field buss communications. It will then attempt to control the system pressure by varying the speed of the adjustable frequency drive and by staging on and off pumps as needed.

Two stop functions are provided by the cascade controller. One function quickly stops the system. The other stages off pumps in a sequence, allowing for a pressure controlled stop. For the VLT AQUA Drive equipped with safe stop, Terminal 37 will turn off all relays and coast the master drive. If any of the digital inputs are set to [8] "Start" and the corresponding terminal is used to control the starting and stopping of the drive, setting the terminal to 0 volts will turn off all relays and coast the master drive. Pressing the OFF button on the LCP will cause a sequenced de-staging of all the running pumps.

5.2.1 Pump Status and Control

The 27-0* group of parameters provides a convenient place to check on the status of the cascade controller and to control individual pumps. In this parameter group, it is possible to select a specific pump to view the current status, the current running hours, and the total lifetime hours. From the same location, an individual pump can be manually controlled for maintenance purposes.

The parameter group is organized as follows:

	Pump 1	Pump 2	Pump 3	Pump ...
27-01 Status	On Drive	Ready	Offline-off	
27-02 Control	No Operation	No Operation	No Operation	
27-03 Current Hrs	650	667	400	
27-04 Lifetime Hrs	52673	29345	30102	

Navigate to the 27-0* group on the LCP.

Use the right and left arrows on the LCP to select the pump.

Use the up and down arrows on the LCP to select the parameter.

5.2.2 Manual Pump Control

The extended cascade controller allows for complete control of each pump in the system. Through parameter 27-02, pumps can be individually controlled through their selected relays. A pump can be turned on or off outside of the control of the extended cascade controller, or can be forced to alternate the lead.

This parameter is different than other value related parameters in that selecting one of these options will cause the action to occur and then the parameter will revert back to its default state.

The choices are as follows:

- No Operation - Default.
- Online - Makes the pump available to the extended cascade controller.
- Alternate On - Forces the selected pump to be the lead pump.
- Offline-Off - Turns the pump off and makes it unavailable for cascading.
- Offline-On - Turns the pump on and makes it unavailable for cascading.
- Offline-Spin - Initiates a pump spin.

If any of the "Offline" selections are chosen, the pump will no longer be available to the cascade controller until "Online" is selected.

If a pump is taken offline through parameter 27-02, the cascade controller will attempt to compensate for the unavailable pump.

- If "Offline-Off" is selected for a pump that is running, a different pump will be staged on to compensate for the loss of output.
- If "Offline-On" is selected for a pump that is currently off, a different pump will be staged off to compensate for the excess output.

5.2.3 Runtime Balancing

The extended cascade controller is designed to balance the running hours between the available pumps. Parameter 27-16 provides a balancing priority for each pump in the system.

Three levels of priority are available:

- Balanced Priority 1
- Balanced Priority 2
- Spare Pump

The cascade controller selects a pump to be staged or de-staged based on the pump's maximum capacity (27-14), the Current Runtime Hours (27-03) and the Runtime Balancing (27-16) parameter.

In selecting the pump to be turned on during staging, the cascade controller will first attempt to evenly balance the current running hours for all of the pumps with a "Balanced Priority 1" in parameter 27-16.

If all of the Priority 1 pumps are running, it will then try to evenly balance the pumps with "Balanced Priority 2" selected.

If all of the Priority 1 and 2 pumps are running, it will then select a pump with "Spare Pump" selected.

During de-staging, this process takes place in reverse. Spare pumps are de-staged first, followed by Priority 2 pumps, followed by Priority 1 pumps. At each priority level, the pump with the greatest number of current runtime hours will be de-staged first.

An exception to this occurs in Mixed Pump configurations with more than one drive. All variable speed pumps are staged on before fixed speed pumps.

Variable speed pumps are also staged off before fixed speed pumps. Parameter 27-19 is used to reset the current runtime hours for all of the pumps and restart the balancing process. This parameter will not affect the Total Lifetime Hours (27-04) for each pump. Total Lifetime Hours is not used for runtime balancing.

5.2.4 Pump Spin for unused pumps

For some installations, not all of the pumps are needed or used on a regular basis. When this occurs, the extended cascade controller will first try to balance the running hours between pumps by alternating when possible. If, however, it is unable to use a pump for 72 hours, it will initiate a pump spin for that pump.

This feature is intended to make sure that no pump is allowed to sit idle for an extended period of time. The Spin Time can be set with parameter 27-18. Spin time should be long enough to ensure that the pump stays in good working condition, but short enough to not create excess pressure within the system. Setting 27-18 to zero disables the function.

The extended cascade controller will not compensate for the extra pressure generated during a pump spin. It is advisable to keep the spin time as short as possible to prevent damage caused by creating excess pressure in the output.

5.2.5 Total lifetime hours

For maintenance purposes, the extended cascade controller is designed to help you keep track of the total lifetime hours for each pump it controls.

The Pump Total Lifetime Hours parameter 27-04 displays a running total of the operating hours for each pump. This parameter is updated whenever a pump is running, and it is saved to non-volatile memory once every hour.

This parameter can also be set to an initial value to reflect the hours of operation for a pump before it was added to the system.

Lifetime hours will only be accumulated by the cascade controller if it is enabled and controlling the pump.

5.2.6 Alternation of the Lead Pump

In a configuration with multiple drives, the lead pump is defined as the last variable speed pump running.

In a configuration with only a single drive, the lead pump is defined as the pump that is connected to the drive. More than one pump can be connected to the drive through contactors that are controlled by the master drive's relays.

Through normal staging and de-staging, the cascade controller will alternate the lead pump to balancing running hours. It will also alternate the lead pump when starting the system or when exiting sleep mode.

However, if the system demand remains below the maximum capacity of the lead pump for a long period of time without entering sleep mode, then it will not alternate the pump. If this scenario is likely to occur, the lead pump can be forced to alternate through a Time Interval parameter 27-52 or through a Time of Day parameter 27-54.

5.2.7 Staging / De-staging in Mixed Pump Configurations

Two methods are used to decide when pumps should be staged or de-staged. The first is the speed of the drives. The second is the feedback pressure going outside of the normal operating range. In a Mixed Pump configuration with more than one drive, both methods are used.

In the following example, feedback is referred to as pressure.

Staging:

When the master drive receives a start command, a variable speed pump is selected and started using one of the available drives.

If the system pressure drops, the speed of the drive increases to meet the demand for more flow. While maintaining the pressure, if the drive exceeds the Stage on Speed (27-31), and remains above that speed for the Staging Delay (27-23) time, the next variable speed pump is staged on. This repeats for all of the variable speed pumps.

If the cascade controller is still unable to maintain the system pressure with all of the variable speed pumps on at maximum, it will begin to stage on fixed speed pumps. A fixed speed pump will be staged on when the pressure goes below the setpoint by the Normal Operation Range (27-20) percentage and stays there for the Staging Delay (27-23) time. This repeats for all of the fixed speed pumps.

De-staging:

If the system pressure increases, the speed of all of the drives decrease to match the system's reduced demand for flow. While maintaining pressure, if the drive goes below the Stage off Speed (27-33) and stays there for the De-staging Delay (27-24) time, a variable speed pump will be staged off. This repeats for all of the variable speed pumps except the last one.

If the system pressure is still too high with only one drive running at minimum speed, it will begin to de-stage fixed-speed pumps. A fixed-speed pump will be de-staged when the pressure goes above the setpoint by the Normal Operating Range (27-20) percentage and stays there for the De-staging

Delay (27-24) time. This repeats for all of the fixed-speed pumps. This leaves only one variable speed pump running. If the system demand continues to drop, the system will enter sleep mode.

5.2.8 Override Staging /De-staging

Normal staging and de-staging handles most of the situations in typical applications. However, sometimes it is necessary to respond rapidly to changes in system feedback pressure. In these cases, the cascade controller is equipped to immediately stage and de-stage pumps in response to large changes system demand.

Staging:

When the system pressure drops by more than the Override Limit (27-21), the cascade controller will immediately stage on a pump to meet the demand for more flow.

If the system pressure continues to stay below the Override Limit (27-21) for the Override Hold Time (27-25) time, the cascade controller will then stage on the next pump. This repeats until all of the pumps are on or until the system pressure drops below the override limit.

De-staging:

When the system pressure increases rapidly above the Override Limit (27-21), the cascade controller will immediately de-stage a pump to try to reduce the pressure.

If the system pressure continues to stay above the Override Limit (27-21) for the Override Hold Time (27-25) time, the cascade controller will de-stage another pump. This will repeat until only the lead pump is left on or until the pressure stabilizes.

The Override Limit parameter 27-21 is set as a % of the maximum reference. It defines a point above and below the system setpoint where override staging and de-staging will occur.

5.2.9 Minimum Speed De-staging

To reduce emergency usage, the cascade controller will de-stage a pump if the lead pump is running at minimum speed for Min. Speed De-stage Delay (27-27).

5.2.10 Fixed speed only operation

Fixed Speed only operation is a feature designed to keep critical systems operating in the rare event that all of the variable speed pumps are unavailable to the cascade controller. In this situation, the cascade controller will attempt to maintain system pressure by turning fixed speed pumps on and off.

Staging:

If all the variable speed pumps are unavailable, and the system pressure drops below the Fixed Speed Only Operating Range (27-22) for the Staging Delay (27-23) time, then a fixed speed pump will be turned on. This repeats until all of the pumps are on.

De-staging:

If all of the variable speed pumps are unavailable and the system pressure goes above the Fixed Speed Only Operating Range (27-22) for the De-stage Delay (27-24) time, a fixed-speed pump will be turned off. This repeats until all of the pumps are off.

6 How to Program

6.1 Extended Cascade Controller Parameters

Please note that this parameter cannot be adjusted while the motor is running.

6.1.1 Cascade CTL Option 27- **

Cascade Control Option parameter group.

6.1.2 Control & Status, 27-0*

Control and status parameters are for monitoring and manual control of the pumps.

Use the right [▶] and left [◀] arrow keys to choose a pump. Use the up [▲] and down [▼] arrow keys to change settings.

27-01 Pump Status

Option:	Function:
	Pump Status is a readout parameter showing the status of each pump in the system. Possible settings are:
[0] Ready	The pump is available for use by the cascade controller.
[1] On Drive	The pump is controlled by the cascade controller, and the pump is connected to a drive and running.
[2] Running on Line Power	The pump is controlled by the cascade controller, and is connected to line power and running.
[3] Offline-Off	The pump is not available for use by the cascade controller and is off.
[4] Offline-On Line Power	The pump is not available for use by the cascade controller, and is connected to line power and running
[5] Offline-On Drive	The pump is not available for use by the cascade controller, and is connected to line power and running
[6] Offline-Fault	The pump is not available for use by the cascade controller, and is connected to line power and running
[7] Offline-Hand	The pump is not available for use by the cascade controller, and is connected to line power and running
[8] Offline-External Interlock	The pump has been externally interlocked and is off.
[9] Spinning	The cascade control is executing a spin cycle for the pump.
[10] No Relay Connection	The pump is not directly connected to a drive, and no relay has been assigned to the pump

27-02 Manual Pump Control

Option:	Function:
	Manual Pump Control is a command parameter that allows for the manual control of individual pump states. Selecting one of these will execute the command and then return to No Operation. Possible selections are:
[0] * No Operation	Does nothing.
[1] Online	Makes the pump available to the cascade controller.
[2] Alternate On	Forces the selected pump to become the lead pump.

[3]	Offline-Off	Turns the pump off and makes the pump unavailable for cascading.
[4]	Offline-On	Turns the pump on and makes the pump unavailable for cascading.
[5]	Offline-Spin	Initiates a pump spin.

27-03 Current Runtime Hours

Option:

Units: hrs

Function:

Current Runtime Hours is a readout parameter showing the total number of hours each pump has been running since the last reset. This time is used to balance the running hours between pumps. The times may all be reset to 0 by using parameter 27-91.

27-04 Pump Total Lifetime Hours

Range:

0* [0 - 2147483647]

Function:

Pump Total Lifetime Hours is the total operating hours for each connected pump. This parameter may be individually set to any value for maintenance purposes.

6

6.1.3 Configuration, 27-1*

This parameter group is for configuring the cascade controller option.

27-10 Cascade Controller

Option:

Disabled

Master/Follower

Mixed Pumps

Basic Cascade Ctrl

Function:

Cascade Controller Mode sets the operating mode. Possible selections are:

Turns off cascade controller option.

Operates using only variable speed pumps connected to drives. This selection simplifies the set-up.

Operates using both variable and fixed-speed pumps.

Turns off the cascade option and reverts to basic cascade operation (See parameter group 25-** in the *VLT AQUA Drive Programming Guide* for further information). The additional relays on the option can be used to extend the basic cascade with 3 relays. Only basic cascade functions are available.

27-11 Number of Drives

Range:

1* [1 - 8]

Function:

Number of adjustable frequency drives to be controlled by the cascade controller.

MCO 101: 1-6

MCO 102: 1-8

27-12 No. of Pumps

Range:

0* [0 - No. of Drives]

Function:

Number of pumps to be controlled by the cascade controller.

MCO 101: 0-6

MCO 102: 0-8

27-14 Pump Capacity

Range:

100%* [0% (Off) - 800%]

Function:

Pump Capacity sets the capacity of each pump in the system, relative to the first pump. This is an indexed parameter with one entry per pump. The capacity of the first pump is always considered to be 100%.

27-16 Runtime Balancing

Option:

Function:

Runtime Balancing sets the priority of each pump for balancing its running hours. The pumps with the highest priority will be operated before the lower prioritized pumps. If all pumps are set as spare pumps, they will be staged and de-staged as no priority is set. This means staged in the order of 1-2-3 and de-staged in the order of 3-2-1.

Possible selections are:

[0] *	Balanced Priority 1	Turned on first, turned off last.
[1]	Balanced Priority 2	Turned on if no priority 1 pumps are available. Turned off before priority 1 pumps are turned off.
[2]	Spare Pump	Turned on last, turned off first.

27-17 Motor Starters

Option:

Function:

Motor Starters selects the type of line power starters used on the fixed-speed pumps. All of the fixed speed pumps must be configured the same. Possible choices are:

None (contactors)
Soft starters
Star-delta starters

27-18 Spin Time for Unused Pumps

Range:

1.0 s* [0.0 s - 99.0 s]

Function:

Spin Time for Unused Pumps sets the length of time to spin unused pumps. If a fixed speed pump has not been run in the last 72 hours, it will be turned on for this time. This is to prevent damage caused by leaving the pump off too long. The spin feature may be disabled by setting the value of this parameter to 0. Warning - Setting this parameter too high may create excess pressure in some systems.

27-19 Reset Current Runtime Hours

Option:

Function:

Reset Current Runtime Hours is used to reset all of the Current Runtime Hours to zero. This time is used for runtime balancing.

[0] *	Do not reset
[1]	Reset

6.1.4 Bandwidth Settings, 27-2*

Parameters for configuring control response.

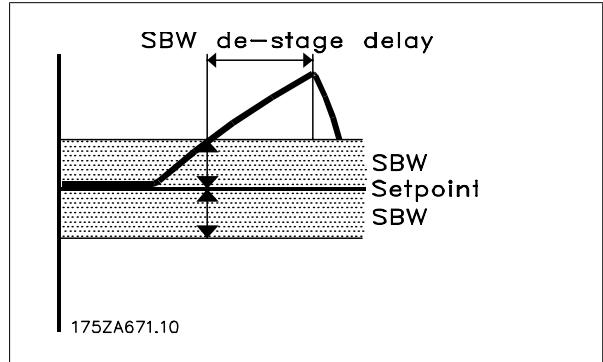
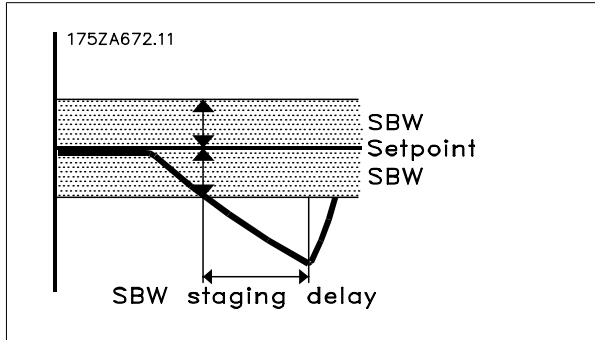
27-20 Normal Operating Range

Range:

10%* [1% - P27-21]

Function:

Normal Operating Range is the allowed offset from the setpoint before a pump may be added or removed. The system must be outside this limit for the time specified in P27-23 (Staging) or P27-24 (De-staging) before a cascade operation takes place. Normal refers to the system operating with at least one variable speed pump available. This value is entered as a % of Max Reference (See P21-12 in the *VLT AQUA Drive Programming Guide* for further information).



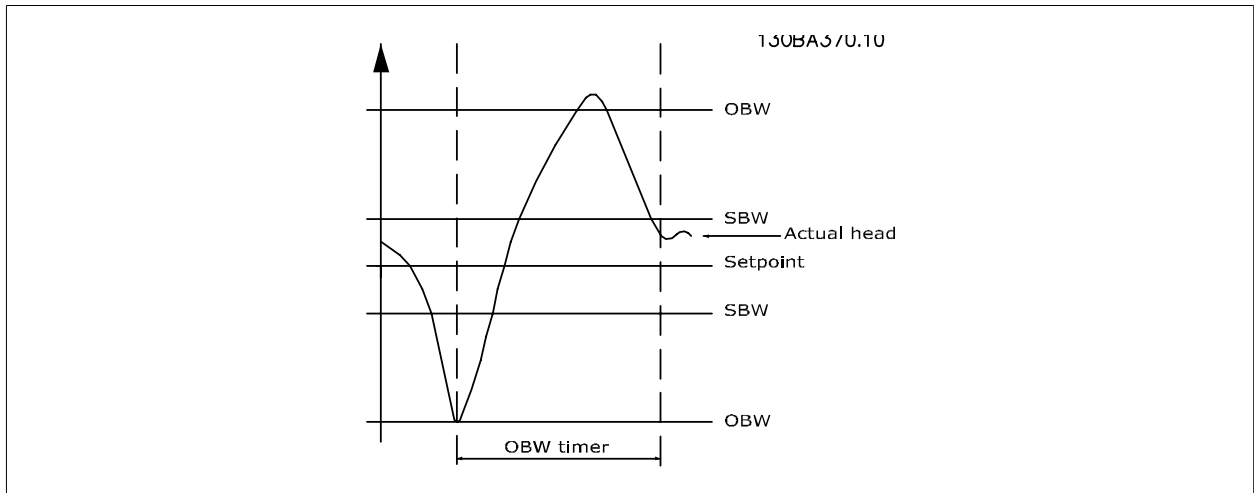
27-21 Override Limit

Range:

100% (Disabled)* [P27-20 - 100%]

Function:

Override Limit is the allowed offset from the setpoint before a pump will immediately be added or removed (for instance, if a fire tab is switched on). Normal Operating Range includes a delay that limits the system response to transients. This makes the system respond too slowly to large demand changes. The override limit causes the drive to respond immediately. The value is entered as a % of Max Reference (P21-12). Override operation may be disabled by setting this parameter to 100%.



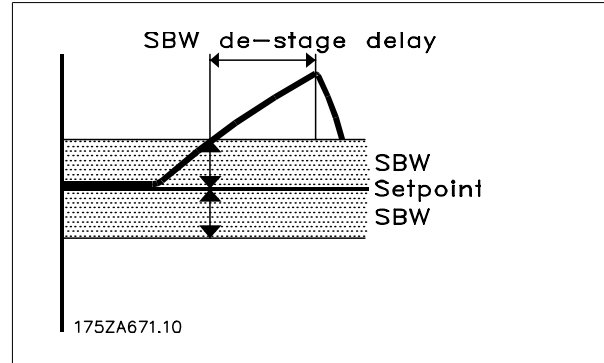
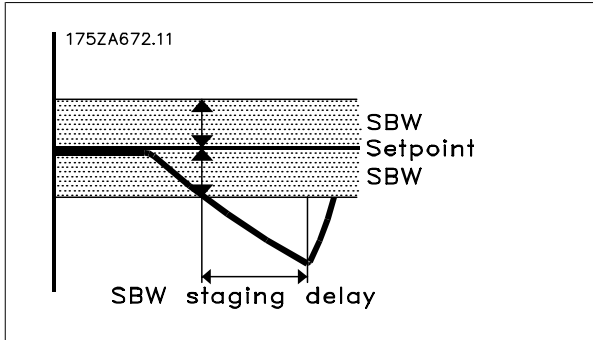
27-22 Fixed Speed Only Operating Range

Range:

P27-20* [P27-20 - P27-21]

Function:

Fixed Speed Only Operating Range is the allowed offset from the setpoint before a pump may be added or removed when there are no operational variable speed pumps. The system must be outside this limit for the time specified in P27-23 (Staging Delay) or P27-24 (De-staging Delay) before a cascade operation may take place. The value is entered as a % of Max Reference. When there are no operational variable speed pumps, the system will try to maintain control with the remaining fixed speed pumps.



27-23 Staging Delay

Range:

15 s* [0-3000 s]

Function:

Staging Delay is the time that the system feedback must remain below the operating range before a pump may be turned on. If the system is operating with at least one variable speed pump available, the Normal Operating Range (P27-20) is used. If there are no variable speed pumps available, the Fixed Speed Only Operating Range (P27-22) is used.

27-24 De-staging Delay

Range:

15 s* [0-3000 s]

Function:

De-staging Delay is the time that the system feedback must remain above the operating range before a pump may be turned off. If the system is operating with at least one variable speed pump available, the Normal Operating Range (P27-20) is used. If there are no variable speed pumps available, the Fixed Speed Only Operating Range (P27-22) is used.

27-25 Override Hold Time

Range:

10 s* [0-300 s]

Function:

Override Hold Time is the minimum time that must elapse after a stage or de-stage before a stage or de-stage may take place due to the system exceeding the override limit (P27-21). The override hold time is designed to allow the system to stabilize after a pump is turned on or off. If this delay is not long enough, the transients caused by turning a pump on or off may cause the system to add or remove another pump when it should not.

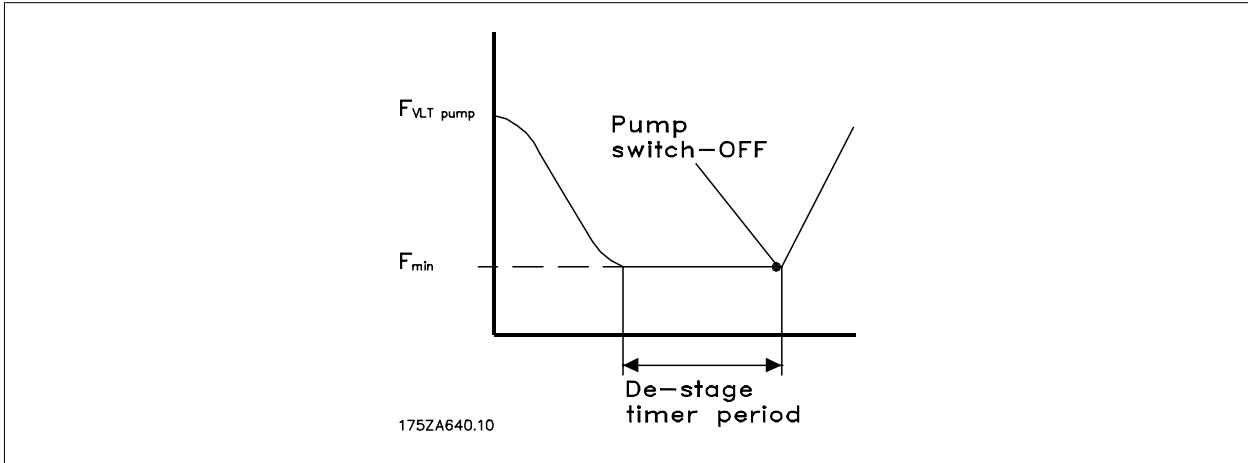
27-27 Min-Speed De-stage Delay

Range:

15 s* [0-300 s]

Function:

Min-Speed De-stage Delay is the time that the lead pump must be running at minimum speed while the system feedback is still inside the normal operating range before a pump will be turned off to save energy. Energy savings may be realized by turning off a pump if the variable speed pumps are operating at minimum speed, with the feedback still in band. Under these conditions, a pump may be turned off and the system will still be able to maintain control. The pumps that remain on will begin operating more efficiently.



6

6.1.5 Staging Speed, 27-3*

Parameters for configuring Master/Follower control response.

6.1.6 Auto-tune Staging Speeds, 27-30 (To be included in future versions!)

27-30 Auto-tune Staging Speeds

Option:

Function:

When enabled, the stage on and off speeds will continually be auto-tuned during operation. The settings will be optimized in order to ensure high performance and low energy consumption. If disabled, the speeds can be set manually.

[0] Disabled

[1] * Enabled

27-31 Stage On Speed (RPM)

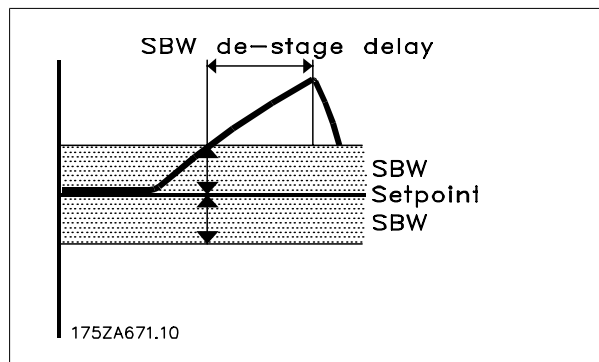
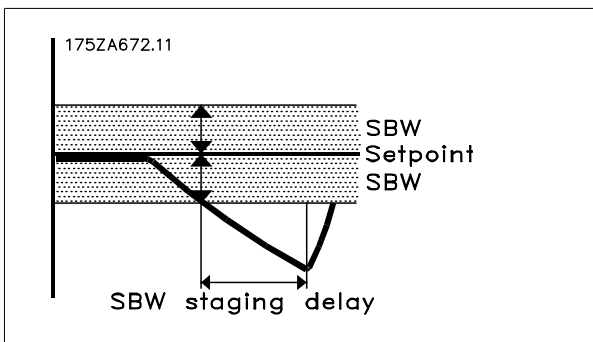
Range:

Function:

P4-13* [par. 4-11 – par. 4-13]

To be used if RPM is chosen.

If the lead pump is operating above Stage On Speed for the time specified in Staging Delay (par. 27-23), and a variable speed pump is available, it will be turned on.



27-32 Stage On Speed (Hz)

Range:

par. 4-14* [par. 4-12 – par. 4-14]

Function:

To be used if Hz is chosen.

If the lead pump is operating above Stage On Speed for the time specified in Staging Delay (par. 27-23), and a variable speed pump is available, it will be turned on.

27-33 Stage Off Speed (RPM)

Range:

par. 4-11* [par. 4-11 – par. 4-13]

Function:

If the lead pump is operating below Stage Off Speed for the time specified in De-staging Delay (par. 27-24), and more than one variable speed pump is on, a variable speed pump will be turned off.

27-34 Stage Off Speed (Hz)

Range:

par. 4-12* [par. 4-12 – par. 4-14]

Function:

If the lead pump is operating below Stage Off Speed for the time specified in De-staging Delay (par. 27-24), and more than one variable speed pump is on, a variable speed pump will be turned off.

6.1.7 Staging Settings, 27-4*

Parameters for configuring staging transitions.

6.1.8 Auto-tune Staging Settings, 27-40

27-40 Auto-tune Staging Settings

Option:

[0] Disabled

[1] * Enabled

Function:

When enabled, the staging threshold will be auto-tuned during operation. The settings are optimized in order to prevent overpressure and underpressure when staging and de-staging. If disabled, the thresholds can be set manually.

Staging or de-staging threshold.

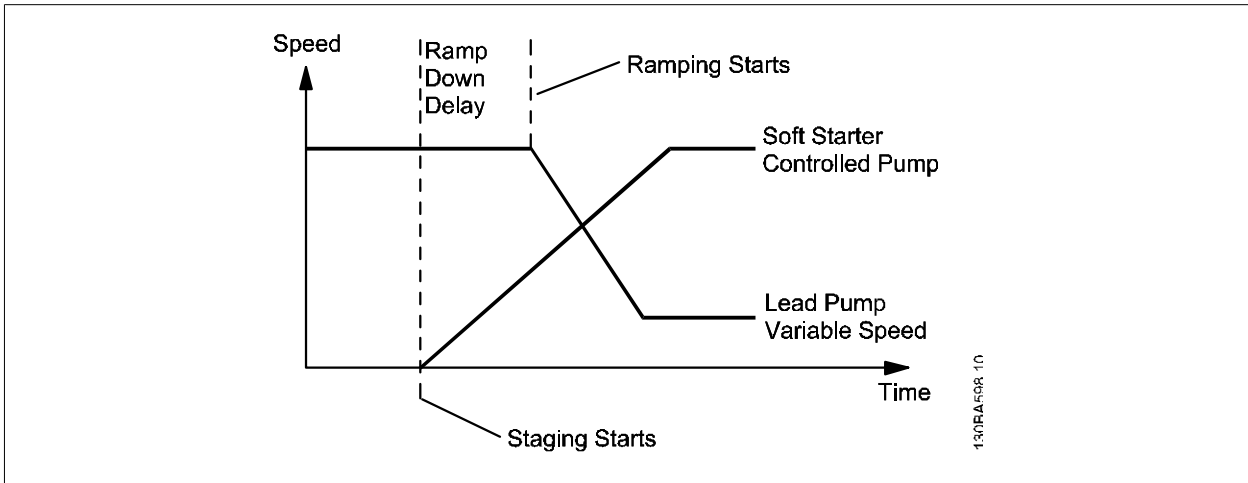
27-41 Ramp-down Delay

Range:

10 s* [0 s – 120 s]

Function:

Ramp-down Delay sets the delay between turning on a soft starter controlled pump and ramping down the drive-controlled pump. This is only used for soft starter-controlled pumps.

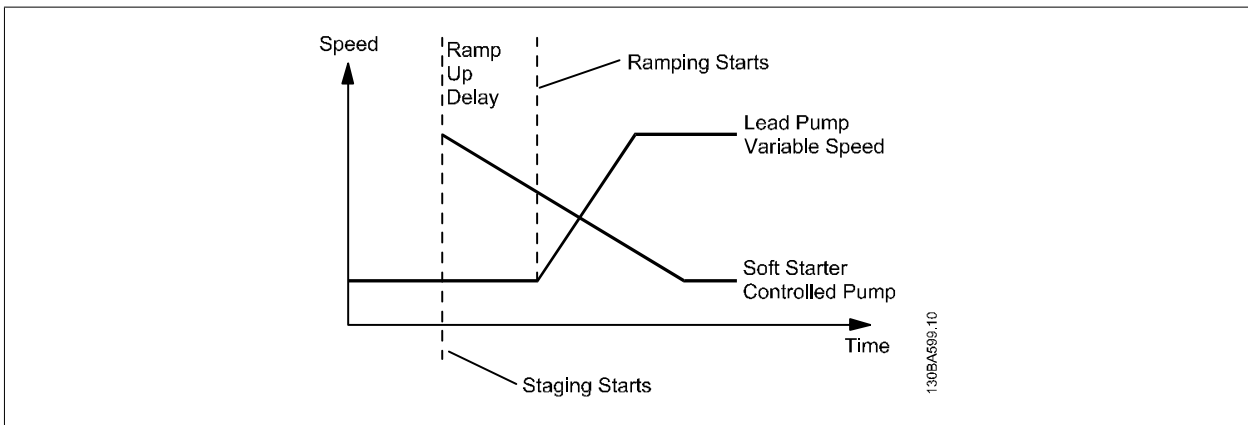


6

27-42 Ramp-up Delay

Range:
2 s* [0 s – 12 s]

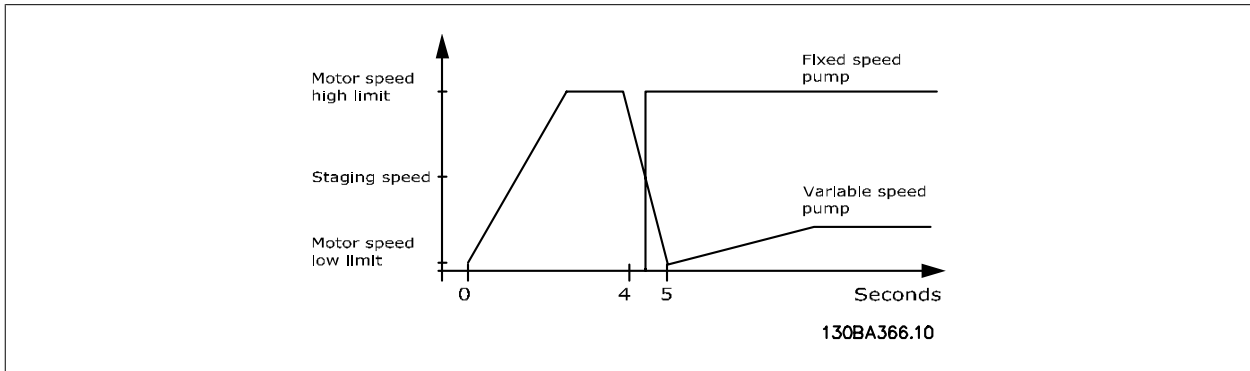
Function:
Ramp-up Delay sets the delay between turning off a soft starter-controlled pump and ramping up the drive-controlled pump. This is only used for soft starter-controlled pumps.



27-43 Staging Threshold

Range:
90%* [1% – 100%]

Function:
Staging Threshold is the speed in the staging ramp at which the fixed speed pump should be turned on. Set as a percentage [%] of maximum pump speed.
If Auto-tune Staging Settings is enabled in P27-40, P27-43 will be hidden. The actual value can be read if P27-40 is disabled. If P27-40 is disabled, the staging threshold in P27-43 can be changed manually, and the new value will then be used if P27-40 is enabled again.



27-44 De-staging Threshold

Range:

50%* [1% – 100%]

Function:

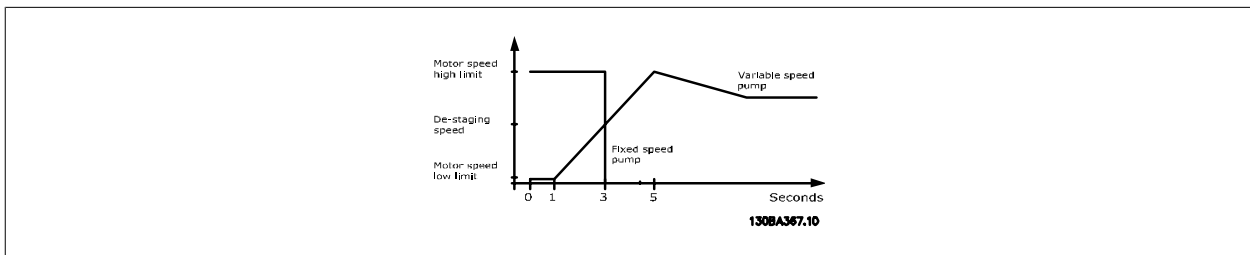
De-staging Threshold is the speed in the staging ramp at which the fixed-speed pump should be turned on. Set as a percentage [%] of maximum pump speed.

If Auto-tune Staging Settings is enabled in P27-40, P27-44 will be hidden. The actual value can be read if P27-40 is disabled. If P27-40 is disabled, the de-staging threshold in P27-44 can be changed manually, and the new value will then be used if P27-40 is enabled again.

When 27-30 is Enabled [1], 27-31, 27-32, 27-33, and 27-34 will be kept up to date with new automatically calculated values. If 27-31, 27-32, 27-33, and 27-34 are modified from the bus, the new values will be used, but will also continue to be automatically tuned (modified).

When 27-40 is Enabled [1], 27-41, 27-42, 27-43, and 27-44 will be kept up to date with new automatically calculated values. If 27-41, 27-42, 27-43, and 27-44 are modified from the bus, the new values will be used, but will also continue to be automatically tuned (modified).

Values will be recalculated and the parameters updated when staging occurs.



27-45 Staging Speed (RPM)

Option:

Units: RPM

Function:

Staging Speed is a readout parameter that shows the actual staging speed based on the staging threshold.

27-46 Staging Speed (Hz)

Option:

Units: Hz

Function:

Staging Speed is a readout parameter that shows the actual staging speed based on the staging threshold.

27-47 De-staging Speed (RPM)

Option:

Units: RPM

Function:

De-staging Speed is a readout parameter that shows the actual de-staging speed based on the de-staging threshold.

27-48 De-staging Speed (Hz)

Option:

Units: rpm

Function:

De-staging Speed is a readout parameter that shows the actual de-staging speed based on the de-staging threshold.

6.1.9 Alternation Settings, 27-5*

Parameters for configuring alternations.

27-51 Alternation Event

Option:
Function:

Alternation Event allows alternation at destage.

[0] * Off

[1] At De-stage

27-52 Alternation Time Interval

Range:
0 (Disa- [0 (Disabled) – 32808 ft [10000 m]]
bled)*
Function:

Alternation Time Interval is the user settable time between alternations. It is disabled by setting it to 0. Parameter 27-53 shows the time remaining until the next alternation occurs.

27-53 Alternation Timer Value

Option:

Units: min

Function:

Alternation Timer Value is a readout parameter that shows the time remaining before an-interval based alternation takes place. Parameter 27-52 sets the time interval

27-54 Alternate at Time of Day

Option:
Function:

Alternate at Time of Day allows the user to select a specific time of day for alternating pumps. The time is set in parameter 27-55. Alternation at Time of Day requires the real time clock to be set.

[0] * Disabled

[1] Time of Day

27-55 Alternation Predefined Time

Range:

1:00* [00:00 – 23:59]

Function:

Alternation Predefined Time is the time of day for pump alternation. This parameter is only available if parameter 27-54 is set to Time of Day.

27-56 Alternate Capacity is <

Range:

0% (Off)* [0% (Off) – 100%]

Function:

Alternate Capacity is < requires the lead pump to be operating below this capacity before time based alternation will be allowed to take place. This feature ensures that alternation only takes place when the pump is running below a speed where interruption in operation will not affect the process. This minimizes the system disturbance caused by alternations. The value is entered as a % of the capacity of pump 1. Alternate Capacity is < operation may be disabled by setting this parameter to 0%.

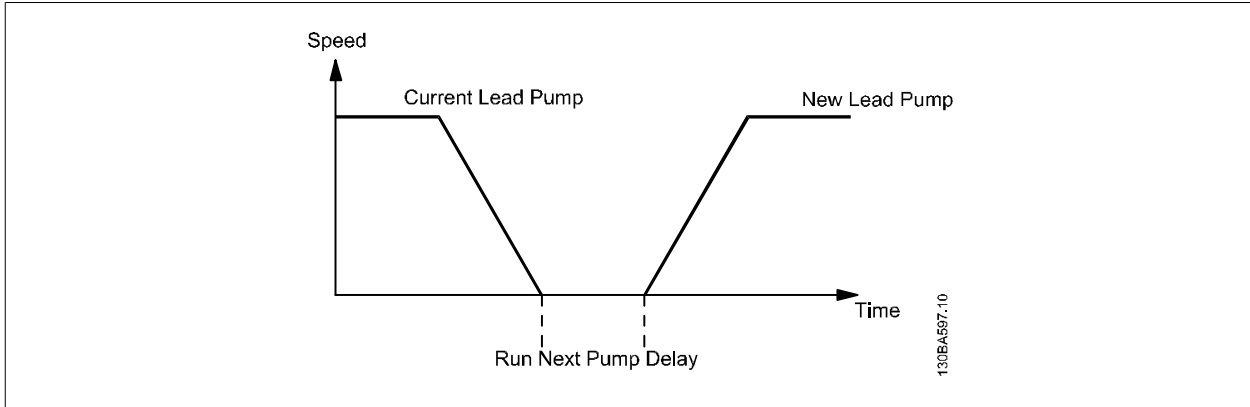
27-58 Run Next Pump Delay

Range:

0.1 s* [0.1 s – 5 s]

Function:

Run Next Pump Delay is a delay between stopping the current lead pump and starting the next lead pump when alternating lead pumps. This provides time for the contactors to switch while both pumps are stopped.



6.1.10 Connections, 27-7*

Parameters for configuring relay connections.

27-70 Relay

Option:

Standard Relay

Function:

P27-70 is an array parameter used to set up the relay option functions. Depending on which option is installed, only the available relays will be visible. If the extended cascade controller is installed, relay 10-12 will be visible. If the advanced cascade controller is installed, relay 13-20 will be visible. If both options are installed, all relays will be visible. To set up the function of each relay, choose the specific relays, and then choose the function. If the function option Standard Relay is chosen, the relay can be used as general purpose relay, and the desired function can then be set up in parameter P5-4*.

[0]	Drive X Enable	Enable follower drive X
	Pump K to Drive N	Connect pump K to drive N
	Pump K to Line Power	Connect pump K to line power

NOTE!
If the MCO 102 is installed, the relay option MCB 105 may also be available for cascade control.

6.1.11 Readouts, 27-9*

Cascade Control Option Readout Parameters

27-91 Cascade Reference

Cascade Reference is a readout parameter that shows the reference output for use with follower drives. This reference is available even when the master drive is stopped. This is the speed at which the drive is operating or would be operating if it were on. It is scaled as a percentage of *Motor Speed High Limit* (P4-13[rpm] or P4-14[Hz]).

Units: %

27-92 Current % of Total Capacity

Current % of Total Capacity is a readout parameter that shows the system operating point as a % capacity of total system capacity. 100% means all pumps are on at full speed.

Units: %

27-93 Cascade Option Status

Option:

Function:

Cascade Option Status is a readout parameter to show the status of the cascade system.

[0] *	Disabled	The cascade option is not used.
	Off	The cascade option is turned off.
	Running	The cascade option is running normally.
	Running at FSBW	The cascade option is running in fixed speed mode. No variable speed pumps are available.
	Jogging	The system is running at the jog speed set in P3-11.
	In Open-loop	The system is set to open-loop.
	Frozen	The system is frozen in the current state. No changes will take place.
	Emergency	The system has stopped due to Coast, Safety Interlock, Trip Lock, or Safe Stop.
	Alarm	The system is operating with an alarm condition.
	Staging	A staging operation is in progress.
	De-staging	A de-staging operation is in progress.
	Alternating	An alternation operation is in progress.
	Lead Pump Not Set	A lead pump has not been selected.

7.1.1 Cascade CTL Option 27- **

Par. No. #	Parameter description	Default value	4-set-up	FC 302 only	Change during operation	Conversion index	Type
27-0* Control & Status							
27-01	Pump Status	[0] Ready	All set-ups		TRUE	-	Ujnt8
27-02	Manual Pump Control	[0] No Operation	2 set-ups		TRUE	-	Ujnt8
27-03	Current Runtime Hours	0 h	All set-ups		TRUE	74	Ujnt32
27-04	Pump Total Lifetime Hours	0 h	All set-ups		TRUE	74	Ujnt32
27-1* Configuration							
27-10	Cascade Controller	[0] Disabled	2 set-ups		FALSE	-	Ujnt8
27-11	Number Of Drives	1 N/A	2 set-ups		FALSE	0	Ujnt8
27-12	Number Of Pumps	ExpressionLimit	2 set-ups		FALSE	0	Ujnt8
27-14	Pump Capacity	100 %	2 set-ups		FALSE	0	Ujnt16
27-16	Runtime Balancing	[0] Balanced Priority 1	2 set-ups		TRUE	-	Ujnt8
27-17	Motor Starters	[0] Direct Online	2 set-ups		FALSE	-	Ujnt8
27-18	Spin Time for Unused Pumps	ExpressionLimit	All set-ups		TRUE	0	Ujnt16
27-19	Reset Current Runtime Hours	[0] Do not reset	All set-ups		TRUE	-	Ujnt8
27-2* Bandwidth Settings							
27-20	Normal Operating Range	ExpressionLimit	All set-ups		TRUE	0	Ujnt8
27-21	Override Limit	100 %	All set-ups		TRUE	0	Ujnt8
27-22	Fixed Speed Only Operating Range	ExpressionLimit	All set-ups		TRUE	0	Ujnt8
27-23	Staging Delay	15 s	All set-ups		TRUE	0	Ujnt16
27-24	Destaging Delay	15 s	All set-ups		TRUE	0	Ujnt16
27-25	Override Hold Time	10 s	All set-ups		TRUE	0	Ujnt16
27-27	Min Speed Destage Delay	ExpressionLimit	All set-ups		TRUE	0	Ujnt16
27-3* Staging Speed							
27-30	Auto Tune Staging Speeds	[1] Enabled	All set-ups		TRUE	-	Ujnt8
27-31	Stage On Speed [RPM]	ExpressionLimit	All set-ups		TRUE	67	Ujnt16
27-32	Stage On Speed [Hz]	ExpressionLimit	All set-ups		TRUE	-1	Ujnt16
27-33	Stage Off Speed [RPM]	ExpressionLimit	All set-ups		TRUE	67	Ujnt16
27-34	Stage Off Speed [Hz]	ExpressionLimit	All set-ups		TRUE	-1	Ujnt16
27-4* Staging Settings							
27-40	Auto Tune Staging Settings	[0] Disabled	All set-ups		TRUE	-	Ujnt8
27-41	Ramp Down Delay	10.0 s	All set-ups		TRUE	-1	Ujnt16
27-42	Ramp Up Delay	2.0 s	All set-ups		TRUE	-1	Ujnt16
27-43	Staging Threshold	ExpressionLimit	All set-ups		TRUE	0	Ujnt8
27-44	Destaging Threshold	ExpressionLimit	All set-ups		TRUE	0	Ujnt8
27-45	Staging Speed [RPM]	0 RPM	All set-ups		TRUE	67	Ujnt16
27-46	Staging Speed [Hz]	0.0 Hz	All set-ups		TRUE	-1	Ujnt16
27-47	Destaging Speed [RPM]	0 RPM	All set-ups		TRUE	67	Ujnt16
27-48	Destaging Speed [Hz]	0.0 Hz	All set-ups		TRUE	-1	Ujnt16
27-5* Alternate Settings							
27-50	Automatic Alternation	[0] Disabled	All set-ups		FALSE	-	Ujnt8
27-51	Alternation Event	null	All set-ups		TRUE	-	Ujnt8
27-52	Alternation Time Interval	0 min	All set-ups		TRUE	70	Ujnt16
27-53	Alternation Timer Value	0 min	All set-ups		TRUE	70	Ujnt16
27-54	Alternation At Time of Day	[0] Disabled	All set-ups		TRUE	-	Ujnt8
27-55	Alternation Predefined Time	ExpressionLimit	All set-ups		TRUE	0	TimeOf- DayWo- Date
27-56	Alternate Capacity is <	0 %	All set-ups		TRUE	0	Ujnt8
27-58	Run Next Pump Delay	0.1 s	All set-ups		TRUE	-1	Ujnt16

Par. No. #	Parameter description	Default value	4-set-up	FC 302 only	Change during op- eration	Conver- sion index	Type
27-6* Digital Inputs							
27-60	Terminal X66/1 Digital Input	[0] No operation	All set-ups		TRUE	-	Ujnt8
27-61	Terminal X66/3 Digital Input	[0] No operation	All set-ups		TRUE	-	Ujnt8
27-62	Terminal X66/5 Digital Input	[0] No operation	All set-ups		TRUE	-	Ujnt8
27-63	Terminal X66/7 Digital Input	[0] No operation	All set-ups		TRUE	-	Ujnt8
27-64	Terminal X66/9 Digital Input	[0] No operation	All set-ups		TRUE	-	Ujnt8
27-65	Terminal X66/11 Digital Input	[0] No operation	All set-ups		TRUE	-	Ujnt8
27-66	Terminal X66/13 Digital Input	[0] No operation	All set-ups		TRUE	-	Ujnt8
27-7* Connections							
27-70	Relay	[0] Standard Relay	2 set-ups		FALSE	-	Ujnt8
27-9* Readouts							
27-91	Cascade Reference	0.0 %	All set-ups		TRUE	-1	Int16
27-92	% Of Total Capacity	0 %	All set-ups		TRUE	0	Ujnt16
27-93	Cascade Option Status	[0] Disabled	All set-ups		TRUE	-	Ujnt8
27-94	Cascade System Status	0 N/A	All set-ups		TRUE	0	VisStr[25]

8 Annex A - Master/Follower Application Note

8.1.1 Master/Follower Operation

Application Description

The system used as example contains four equal-sized pumps in a water distribution system. They are each connected to a Danfoss VLT® AQUA Drive. A pressure transmitter with an analog output format of 4–20 mA is used as feedback and connected to the drive named 'master drive'. The master drive also includes the Danfoss *VLT® Extended Cascade Controller Option MCB-101*. The purpose of the system is to maintain a constant pressure in the system.

Arguments for using a 'master / follower' set-up instead of the standard cascade control mode could be:

- In old and weak pipe systems where huge pressure surges can lead to leakage, the high performance of the master/follower mode can be a real benefit.
- In constant pressure water systems, the pumps can be operated in the most energy-efficient way by using master/follower operation.
- In systems with large variances in flow, the fast reacting master/follower mode will safely and rapidly maintain a constant pressure.
- Very easy installation - no need for external equipment. The drives can be delivered in IP55 or even IP66, which means no need for panels, except for fuses.

Issues to keep in mind

Compared to traditional cascade control, the number of running pumps is controlled by speed instead of feedback. To obtain the highest energy savings, the stage on and off speed must be set correctly according to the system. To understand the principle better, please note figure 1.

The stage on and off speed is set for each stage by the user. The correct speed depends on the application and the system. In VLT® AQUA software versions higher than 1.1, the speed will be auto-tuned by the drive. The right settings can also be determined by using the Danfoss PC software called MUSEC, which is downloadable from our homepage: www.danfoss.com
To start off, the settings shown in table 1.1 can be used in most applications.

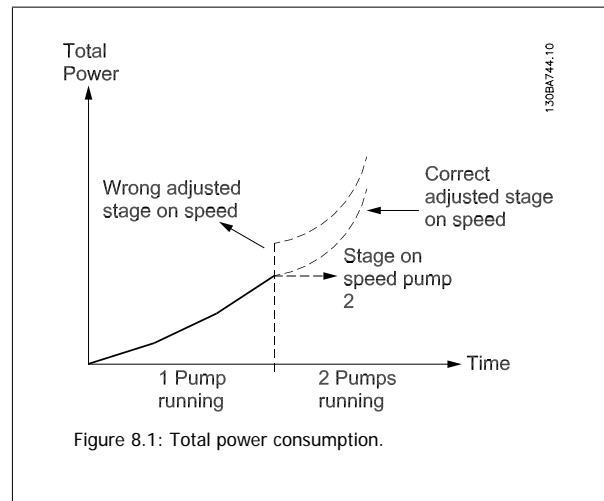


Figure 8.1: Total power consumption.

	Stage on speed [Hz] (Par. 27-31)	Stage off speed [Hz] (Par. 27-33)
Stage 1	40	Min. speed
Stage 2	42	36
Stage 3	45	38
Stage 4	47	40

Table 8.1: Example of stage on and stage off speed

Electrical wiring

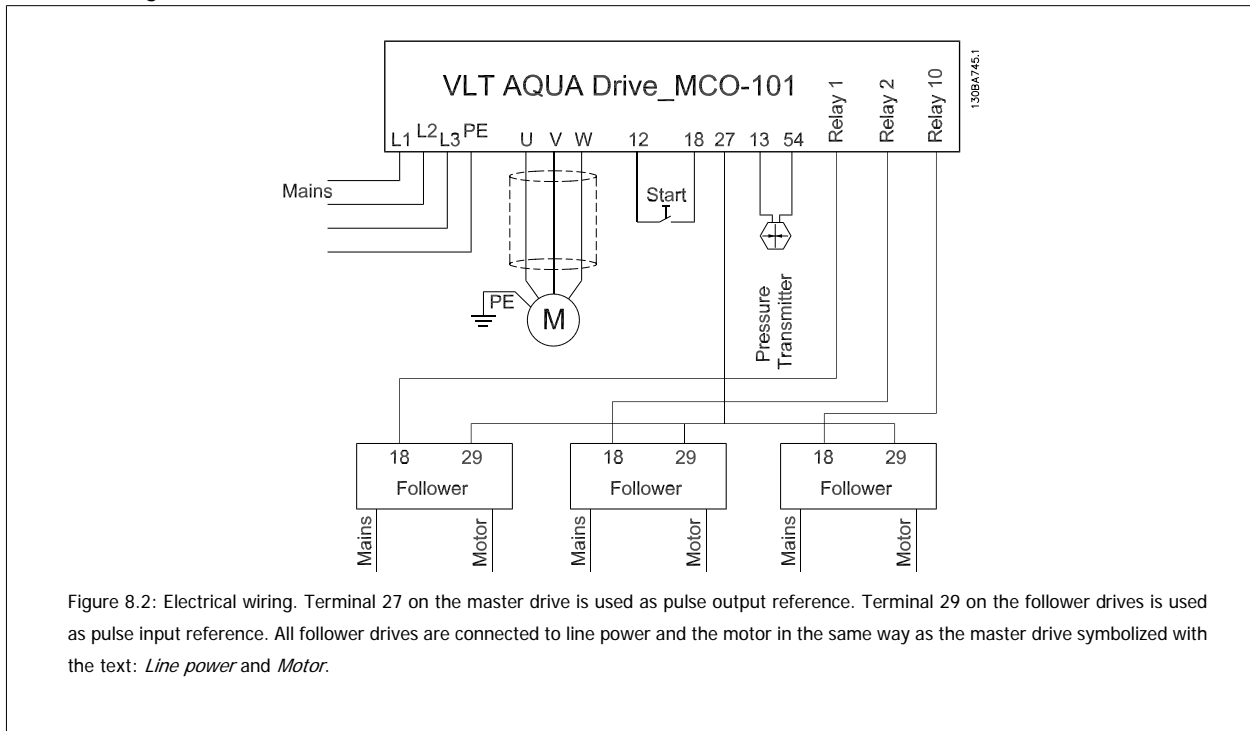


Figure 8.2: Electrical wiring. Terminal 27 on the master drive is used as pulse output reference. Terminal 29 on the follower drives is used as pulse input reference. All follower drives are connected to line power and the motor in the same way as the master drive symbolized with the text: *Line power* and *Motor*.

8

NOTE!

In the example, it is assumed that the pressure transmitter used as a feedback sensor has a range from 0–10 bar.

Parameter settings:

Display settings - Master drive:

Display Line 1.1 Small	0-20	Reference [1601]
Display Line 1.2 Small	0-21	Feedback [1652]
Display Line 1.3 Small	0-22	Motor current [1614]
Display Line 2 Large	0-23	Frequency [1613]
Display Line 3 Large	0-24	Cascade reference [2791]

Display settings - Follower drives:

Display Line 1.1 Small	0-20	External Reference [1650]
Display Line 3 Large	0-24	Frequency [1613]



NOTE!

Please note: the format of the analog input is set using switch S201 below the LCP.

Basic settings for both master and follower drives:

Parameters:	
Change from RPM to Hz as speed unit	0-02
Motor rated power	1-20 / par. 1-21 (kW / HP)
Motor rated voltage	1-22
Motor Current	1-24
Motor Rated Speed	1-25
Motor Rotation Check	1-28
Enable Automatic Motor Adaptation	1-29

Ramp-up Time	3-41	(5 sec.* depending on size) Must be the same in master and follower!
Ramp-down Time	3-42	(5 sec.* depending on size) Must be the same in master and follower!
Motor Speed Low Limit [Hz]	4-12	(30 Hz)
Motor Speed High Limit [Hz]	4-14	(50 Hz) Must be the same in master and follower!

Settings for the master drive only

1. Use the "Closed-loop" wizard under "Quick Menu_Function Set-up", to easily set up the feedback settings and the PID controller.
2. Set up the master configuration in par. 27-**.

Enable Master/Follower	27-10	
Set number of drives	27-11	
Set the staging speed according to table 1	27-3*	
Configure Relay 1	27-70	Drive 2 Enable
Configure Relay 2	27-70	Drive 3 Enable
Configure Relay 10	27-70	Drive 4 Enable
Minimum Reference	3-02	0 [bar]
Maximum Reference	3-03	10 [bar]
Terminal 27 Mode	5-01	Output [1]
Terminal 27 Digital Output	5-30	Pulse output [55]
Terminal 27 Pulse Output Variable	5-60	Cascade Reference [116]
Pulse Output Maximum Frequency #27	5-62	5000 [Hz]

Settings for the follower drives only

Set Reference 1 Source	3-15	Pulse input 29 [7]
Set Terminal 29 Digital Input	5-13	Pulse input [32]
Set Term. 29 Low Frequency	5-50	0 [Hz]
Set Term. 29 high frequency	5-51	5000 [Hz]

Operation

When the system is set to operation, the master drive will automatically run "time balance" with all drives running with the needed number of pumps, depending on the demand. If, for some reason, the user wants to prioritize which motors should be preferred, it is possible to prioritize the pumps in par. 27-16 in three levels. (Priority 1, Priority 2 and spare pump). Pumps with priority 2 will only be staged on when there is no priority 1 pump available. It might be necessary to fine adjust the *stage on/off* speed to optimize the energy consumption.



Index

A

Additional Configuration For Multiple Drives	4-1
Analog Input	8-2
Analog Output Format Of 4–20 Ma	8-1
Auto-tune Staging Settings, 27-40	6-7
Auto-tune Staging Speeds, 27-30 (to Be Included In Future Versions!)	6-6

B

Bandwidth Settings, 27-2*	6-4
Basic Cascade Controller	2-2
Basic Settings	8-3

C

Cascade Controller Features	5-1
Cascade Controller Option	2-1, 2-2
Cascade Controller, 27-10	6-2
Cascade Ctl Option	7-1
Cascade Ctl Option 27-**	6-1
Closed-loop Control	4-2
Configuration, 27-1*	6-2
Configuring The System	4-1
Constant Pressure	8-1
Constant Pressure Water Systems,	8-1
Control & Status, 27-0*	6-1
Critical Systems	5-4
Current Runtime Hours, 27-03	6-2

D

De-staging	4-2, 5-4
De-staging Delay, 27-24	6-5
De-staging Speed (rpm), 27-47	6-9
De-staging Threshold, 27-44	6-9
Display Settings - Follower Drives	8-2
Display Settings - Master Drive	8-2
Drive Configurations	3-1

E

Easy Installation	8-1
Electrical Wiring	8-2
Energy Savings,	8-1
Extended Cascade Controller, Mco 101, And Advanced Cascade Controller, Mco 102	2-1
Extension Of Basic Cascade	3-1

F

Feedback Pressure	3-5, 5-3
Feedback Sensor	4-2
Fixed Speed	5-4
Fixed Speed Pump	2-2
Fixed Speed Pump Configuration	3-3
Fixed-speed Only Operating Range, 27-22	6-4
Fixed-speed Pump Configuration	3-3
Follower Drive	2-2
Follower Drives	4-1
Free Software	4-3

G

General Description	2-2
Ground Leakage Current	1-1

I

Introduction	3-1
Introduction To The Mco 101 And Mco 102	2-1
Ip55 Or Even Ip66	8-1

L

Lead Pump	5-3, 5-4
Lead Pump	5-3
Lifetime Hours	5-3

M

Manual Pump Control	5-1
Manual Pump Control, 27-02	6-1
Master Drive	2-2, 8-1
Master Drive	4-1
Master/follower Operation	8-1
Master-follower Configuration	3-4
Min-speed De-stage Delay, 27-27	6-5
Mixed Pump Configuration	3-5, 3-7
Mixed Pump Selection	4-1
Motor Starters, 27-17	6-3
Multiple Drives	5-3
Multiple Unit Staging Efficiency Calculator	4-3
Musec	4-3, 8-1

N

Normal Operating Range, 27-20	6-4
Number Of Drives	4-1
Number Of Drives, 27-11	6-2
Number Of Pumps, 27-12	6-2

O

Open-loop Mode	2-2
Optimize The Energy Consumption	8-3
Override Hold Time, 27-25	6-5
Override Limit	5-4
Override Limit, 27-21	6-4
Override Staging /de-staging	5-4

P

Parameter Settings	8-2
Pid Controller	4-2
Pressure Fluctuations	3-3
Pressure Transmitter	8-2
Prioritize The Pumps	8-3
Pump Capacity	4-1
Pump Capacity, 27-14	6-2
Pump Spin	5-2
Pump Status, 27-01	6-1
Pump Total Lifetime Hours, 27-04	6-2

R

Ramp-down Delay, 27-41	6-7
Ramp-up Delay, 27-42	6-8
Relay, 27-70	6-11
Reset Current Runtime Hours, 27-19	6-3
Runtime Balancing	3-7, 4-1, 5-2
Runtime Balancing, 27-16	6-2

S

Setting Up The Cascade Parameters	4-1
Settings For The Follower Drives	8-3
Settings For The Master Drive	8-3
Single Drive	5-3
Soft Starters	3-9
Software Version	1-2
Software Versions	8-1
Speed Instead Of Feedback	8-1
Spin Time	5-2, 6-3
Spin Time For Unused Pumps	4-1
Stage Off Speed (hz), 27-34	6-7
Stage Off Speed (rpm), 27-33	6-7
[Stage Off Speed Hz]	8-1
Stage On And Off Speed	8-1
Stage On And Stage Off	8-1
Stage On Speed (hz), 27-32	6-6
Stage On Speed (rpm), 27-31	6-6
[Stage On Speed Hz]	8-1
Staging	4-2, 5-4
Staging / De-staging	5-3
Staging /de-staging Of Variable Speed Pumps Based On Drive Speed	4-2
Staging And De-staging Decisions	3-4
Staging Delay, 27-23	6-5
Staging Settings, 27-4*	6-7
Staging Speed (hz), 27-46	6-9
Staging Speed (rpm), 27-45	6-9
Staging Speed, 27-3*	6-6
Staging Threshold, 27-43	6-8
Staging/de-staging Of Fixed-speed Pumps Based On Pressure Feedback	4-3
Supported Configuration	3-1
Switch S201	8-2

T

Terminal 27	8-2
Terminal 29	8-2

U

Unequal Size Pump Configuration	3-6
---------------------------------	-----

V

Variable Speed Pumps	2-2
Vit® Extended Cascade Controller Option Mcb-101	8-1

W

Weak Pipe Systems	8-1
-------------------	-----