



AVAILABLE MOUNTING CONFIGURATIONS

5HH-RP-F REDI-PRIME FRAME MOUNT
 5HH-F FRAME MOUNT
 5HH-RP-EM REDI-PRIME ENGINE MOUNT
 5HH-EM ENGINE MOUNT
 5HH-VF VERTICAL FRAME MOUNT
 5HH-VC VERTICAL COUPLED

OPERATING LEVELS

| | | |
|------------------------|----------|-------------------------|
| MIN FLOW | 650 GPM | 147.6 m ³ /h |
| MAX FLOW | 2950 GPM | 669.7 m ³ /h |
| DISCHARGE SIZE | 5" | 127 mm |
| SUCTION SIZE | 8" | 203 mm |
| SOLIDS HANDLING | .75" | 1.9 cm |
| MAX SPEED | 2000 RPM | 2000 RPM |
| SHUT-OFF HEAD | 375' | 114.3 m |
| BEP HEAD | 330' | 100.6 m |
| BEP FLOW | 2200 GPM | 499.4 m ³ /h |
| BEP PERCENT | 85% | 85% |



A typical picture of the pump is shown. Please contact Cornell Pump Company for further details. All information is approximate and for general guidance only.

| PARTS | CAST IRON BRONZE FITTED (STANDARD) | ALL IRON |
|-----------------------------------|-------------------------------------|-------------------------------------|
| IMPELLER | BRONZE SAE 40 | CAST IRON ASTM A48 CL30 |
| VOLUTE | CAST IRON ASTM A48 CL30 | CAST IRON ASTM A48 CL30 |
| SHAFT | SAE 1144 "STRESSPROOF" | SAE 1144 "STRESSPROOF" |
| SHAFT SLEEVE | BRONZE SAE 660 | 416 STAINLESS STEEL |
| BEARING HOUSING | CAST IRON ASTM A48 CL30 | CAST IRON ASTM A48 CL30 |
| WEAR RINGS | BRONZE SAE 660 | CAST IRON ASTM A48 CL30 |
| SUCTION SPOOL | CAST IRON ASTM A48 CL30 | CAST IRON ASTM A48 CL30 |
| BACKPLATE | CAST IRON ASTM A48 CL30 | CAST IRON ASTM A48 CL30 |
| MECHANICAL SEAL (OPTIONAL) | T-1, BUNA, CARBON/CERAMIC/STAINLESS | T-1, BUNA, CARBON/CERAMIC/STAINLESS |
| PACKING | GRAPHITED ACRYLIC | GRAPHITED ACRYLIC |

The 5H pump is designed with Cornell's renowned quality and durability. It features a 5" discharge, 8" suction, enclosed impeller, and flanged tangential double volute. Available in all-iron or bronze-fitted materials. Graphited acrylic packing is standard, with Cornell's patented Cycloseal® available (with type 1 single mechanical seal). Grease lubrication standard - oil lubrication optional.

- External hydraulic balance line
- Back pullout design
- Replaceable hub & suction wear rings
- Replaceable shaft sleeve
- High efficiency hydraulics
- Low operating costs
- SAE #1, 2, 3, 4 & 5
- Modular bearing frame
- Oversized shaft and bearings
- Other mechanical seal (Cycloseal®) and material options available
- Two year warranty



AGRICULTURE



FOOD



INDUSTRIAL



MINING



MUNICIPAL



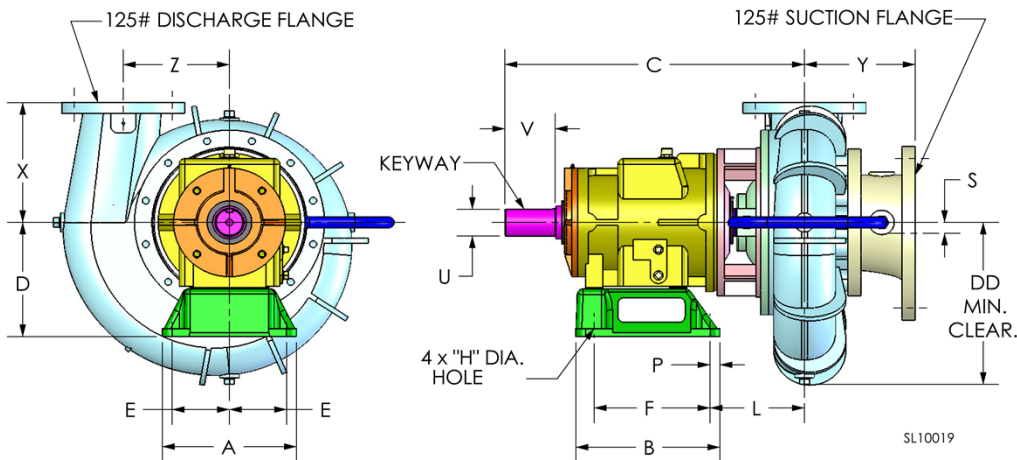
OIL & GAS



REFRIGERATION



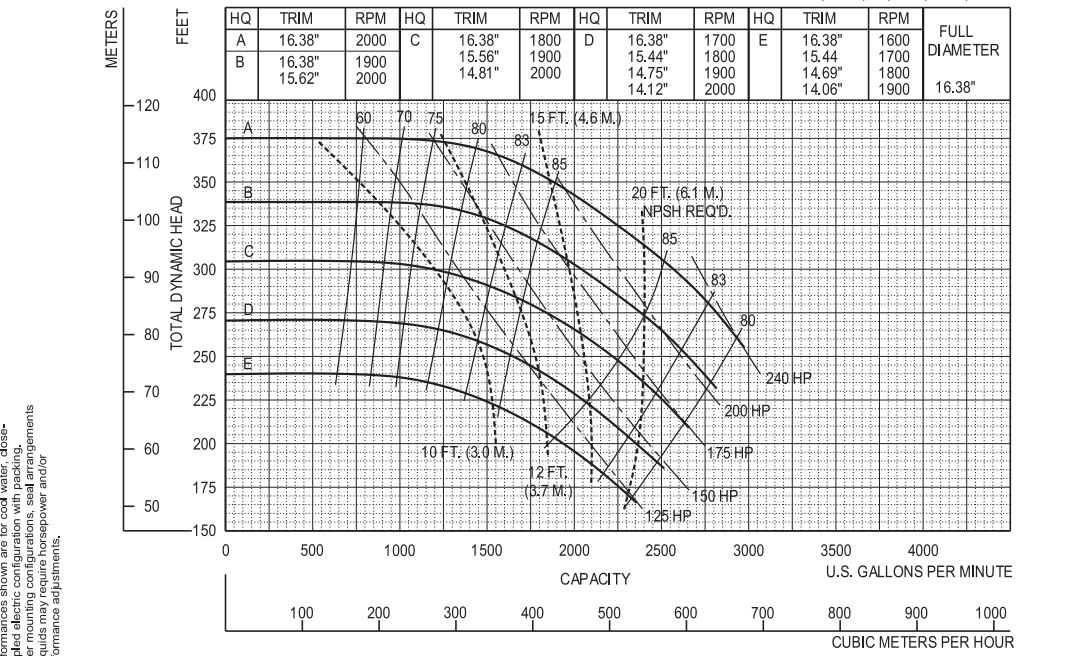
RENTAL



PUMP DIMENSIONS

| MODEL | FRAME | CONNECTION | | DISCH. INCR. | A | B | C | D | DD | E | F | H | L | P | S | U | V | X | Y | Z | KEYWAY |
|-------|-------|------------|-------|--------------|----|-------|-------|------|-------|------|-------|------|-------|------|------|-----|-----|-----|-------|-------|---------|
| | | DISCH. | SUCT. | | | | | | | | | | | | | | | | | | |
| 3HA | F18 | 3 | 6 | 90° | 12 | 12.88 | 29.11 | 10.5 | 11.12 | 5.12 | 10.38 | 0.81 | 10.74 | 0.88 | 0.44 | 2.5 | 4.5 | 10 | 8.53 | 8.5 | .62X.31 |
| 3HC | F18 | 3 | 6 | 90° | 12 | 12.88 | 25.88 | 10.5 | 11.12 | 5.12 | 10.38 | 0.81 | 7.5 | 0.88 | 0.44 | 2.5 | 4.5 | 10 | 8.53 | 8.5 | .62X.31 |
| 4HC | F18 | 4 | 8 | 90° | 12 | 12.88 | 26.97 | 10.5 | 12.62 | 5.12 | 10.38 | 0.81 | 8.6 | 0.88 | 0.88 | 2.5 | 4.5 | 11 | 10.88 | 9.75 | .62X.31 |
| 4HH | F18 | 4 | 6 | 90° | 12 | 12.88 | 29.14 | 10.5 | 15 | 5.12 | 10.38 | 0.81 | 10.77 | 0.88 | 0.44 | 2.5 | 4.5 | 9.5 | 8.97 | 11.25 | .62X.31 |
| 5H | F18 | 5 | 8 | 90° | 12 | 12.88 | 29.17 | 10.5 | 14.75 | 5.12 | 10.38 | 0.81 | 10.8 | 0.88 | 0.88 | 2.5 | 4.5 | 13 | 9.66 | 11.62 | .62X.31 |
| 5HH | F18 | 5 | 8 | 90° | 12 | 12.88 | 29.84 | 10.5 | 16.25 | 5.12 | 10.38 | 0.81 | 11.47 | 0.88 | 0.44 | 2.5 | 4.5 | 11 | 10.56 | 10.25 | .62X.31 |
| 6H | F18 | 6 | 8 | 90° | 12 | 12.88 | 29.14 | 10.5 | 14.75 | 5.12 | 10.38 | 0.81 | 10.77 | 0.88 | 0.44 | 2.5 | 4.5 | 14 | 10.18 | 11.62 | .62X.31 |
| 6HH | F18 | 6 | 8 | 90° | 12 | 12.88 | 30.13 | 10.5 | 17.12 | 5.12 | 10.38 | 0.81 | 11.91 | 0.88 | 0.44 | 2.5 | 4.5 | 12 | 10.43 | 12 | .62X.31 |
| 8H | F18 | 8 | 10 | 90° | 12 | 12.88 | 30.41 | 10.5 | 16.75 | 5.12 | 10.38 | 0.81 | 12.03 | 0.88 | 0.75 | 2.5 | 4.5 | 13 | 10.41 | 11.5 | .62X.31 |

| Speed | Impeller Dia. | Style | Solids Dia. | N _S | Suction | Discharge | No. vanes |
|---------|---------------|----------|-------------|----------------|---------|-----------|-----------|
| VARIOUS | VARIOUS | ENCLOSED | .75" | 1197 | 8" | 5" | 6 |



Performance shown are for cold water, dense, colorless, non-corrosive liquids with specific gravity of 1.0. Other mounting configurations, seal arrangements or liquids may require horsepower and/or performance adjustments.

Cornell Pump Company • Portland, Oregon

5HH - VARIOUS RPM

NEW PAGE

5HH VA

5/14/4