

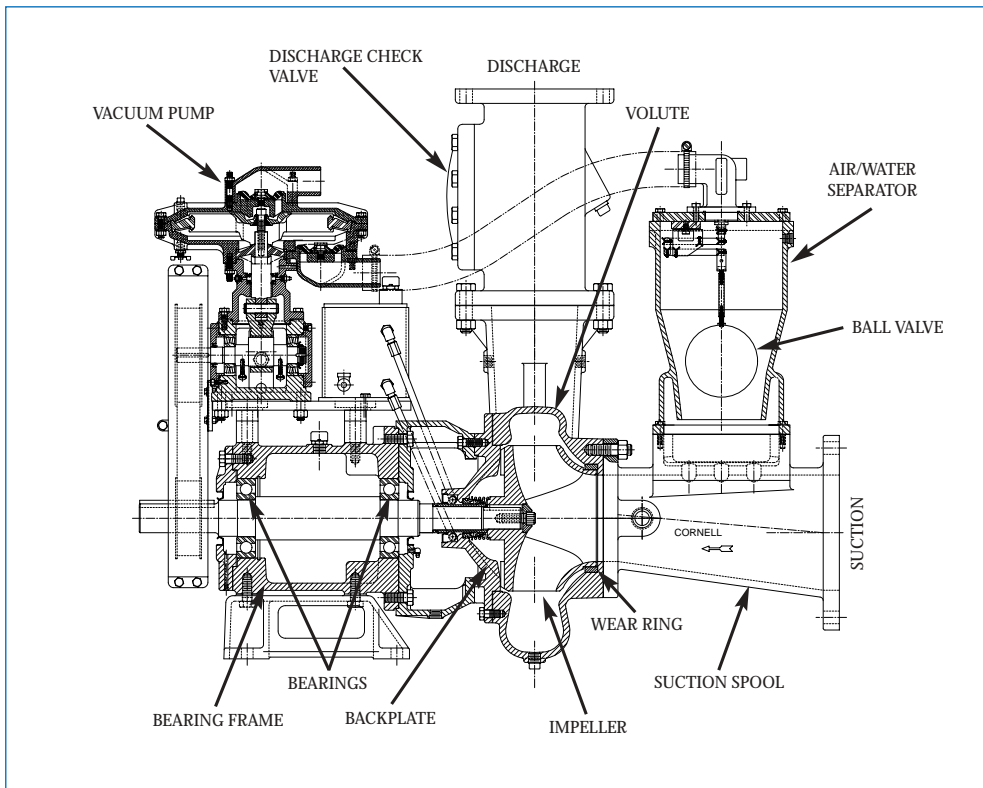


# CORNELL PUMP COMPANY

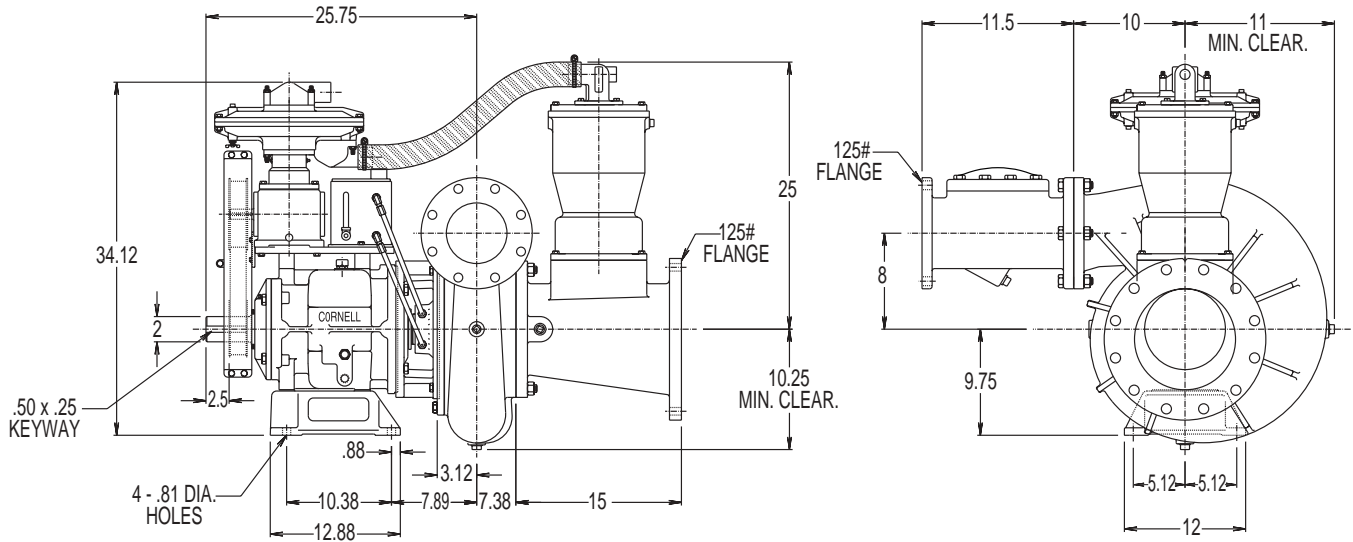
## Model 4RC-F Redi-Prime®

### PUMP SPECIFICATIONS

- **Size:** 4RC - 4" discharge x 6" suction with 125# cast iron flanges.
- **Casing:** Cast Iron.
- **Impeller:** Enclosed - 7 vane. Handles .84" diameter solids.
- **Wear Rings:** Replaceable. (Double wear rings available).
- **Seal:** Cornell's patented Cycloseal® design with Run-Dry oil lubrication system. John Crane T-2 single mechanical seal with Viton® elastomers, stainless steel hardware and tungsten- vs. silicon-carbide seal faces for abrasion resistance.
- **Check Valve:** SwingFlex® Val-Matic®.
- **Shaft Sleeve:** Heat treated 416 stainless steel.
- **Bearings:** Heavy duty, grease lubricated, deep groove ball bearings, with a minimum of 50,000 hours bearing life.
- **Hardware:** Stainless steel float linkage. A positive seating vacuum priming valve prevents water carry-over to the vacuum, pump or atmosphere.
- **Vacuum Pump** - 50 SCFM Maximum.



## PUMP DIMENSIONS



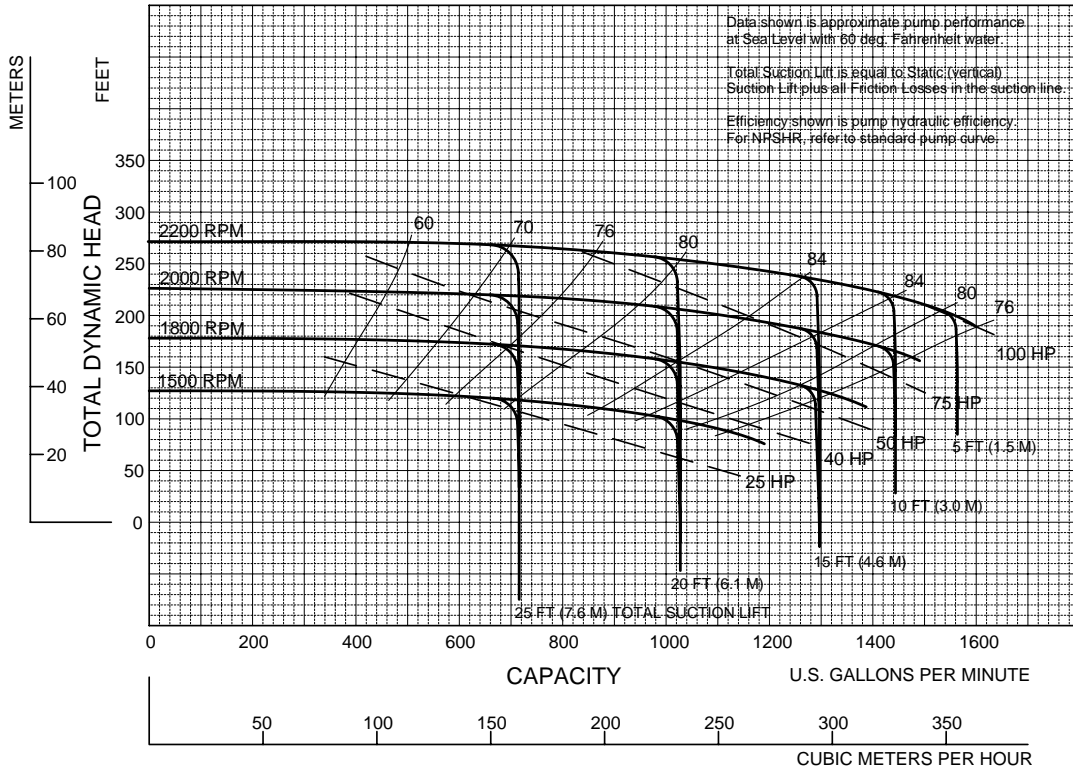
- NOTES:**
1. Frame mounting foot thickness is .75".
  2. Flange connection dimension can vary  $\pm .12$  inch.
  3. Do not use for construction unless certified.

## PERFORMANCE CURVES

Feet x .305 = Meters  
 Inches x 25.4 = Millimeters  
 GPM x .227 = Cubic Meters/Hour  
 GPM x 3.785 = Liters/Minute  
 HP x .746 = KW

Speed	Impeller Dia.	Style	Solids Dia.	N <sub>S</sub>	Suction	Discharge	No. vanes
VARIOUS	12.75"	ENCLOSED	.84"	1386	6"	4"	7

SINGLE VOLUTE                      MOUNTING CONFIG.: F, EM



Data shown is approximate pump performance at Sea Level with 60 deg. Fahrenheit water.  
 Total Suction Lift is equal to Static (vertical) Suction Lift plus all Friction Losses in the suction line.  
 Efficiency shown is pump hydraulic efficiency. For NPSHR, refer to standard pump curve.

Add 1.5 HP for belt driven diaphragm vacuum pump. Performance curve does not include discharge check valve losses.

Performances shown are for cool water. Frame mounted configuration with Cyclo Seal® Other liquids or mounting configurations may require performance adjustments.

### Cornell Pump Company

P.O. Box 6334 • Portland, Oregon 97228-6334

Web: [www.cornellpump.com](http://www.cornellpump.com) • Phone (503) 653-0330 • Fax (503) 653-0338

**ISO9001:2000** CERTIFIED