

3WHA-F

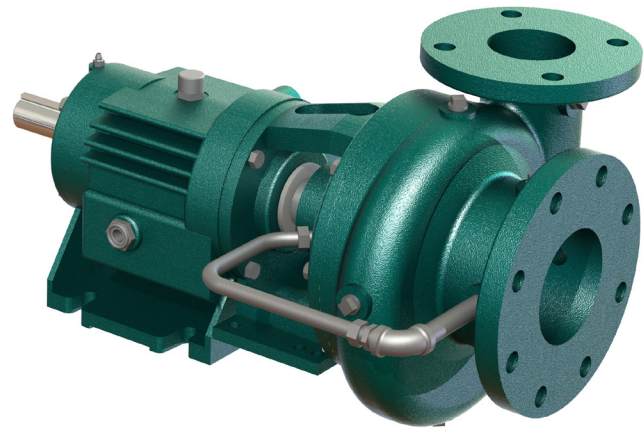


AVAILABLE MOUNTING CONFIGURATIONS

3WHA-RP-F REDI-PRIME FRAME MOUNT
 3WHA-F FRAME MOUNT
 3WHA-RP-EM REDI-PRIME ENGINE MOUNT
 3WHA-EM ENGINE MOUNT

OPERATING LEVELS

MIN FLOW	80 GPM	18 m ³ /h
MAX FLOW	835 GPM	190 m ³ /h
DISCHARGE SIZE	3"	76 mm
SUCTION SIZE	4"	102 mm
SOLIDS HANDLING	.5"	13 mm
MAX SPEED	3600 RPM	3600 RPM
SHUT-OFF HEAD	242'	74 m
BEP HEAD	196'	60 m
BEP FLOW	660 GPM	150 m ³ /h
BEP PERCENT	83%	83%



A typical picture of the pump is shown. Please contact Cornell Pump Company for further details. All information is approximate and for general guidance only.

PARTS	CAST IRON BRONZE FITTED	ALL IRON (OPTIONAL)
WEAR RING	BRONZE SAE 660	CAST IRON ASTM A48 CL30
IMPELLER	CAST IRON ASTM A48 CL30	CAST IRON ASTM A48 CL30
VOLUTE	CAST IRON ASTM A48 CL30	CAST IRON ASTM A48 CL30
SHAFT	SAE 1144 "STRESSPROOF"	SAE 1144 "STRESSPROOF"
SHAFT SLEEVE	BRONZE SAE 660	303 STAINLESS STEEL
BACKPLATE	CAST IRON ASTM A48 CL30	CAST IRON ASTM A48 CL30
PACKING (STANDARD)	GRAPHITED ACRYLIC	GRAPHITED ACRYLIC
MECHANICAL SEAL (OPTIONAL)	T-1 OR T-2, BUNA, CARBON/CERAMIC	T-1 OR T-2, BUNA, CARBON/CERAMIC
BEARING FRAME	CAST IRON ASTM A48 CL30	CAST IRON ASTM A48 CL30

The 3WHA general purpose pump is designed with Cornell's renowned quality and durability. It features a 3" discharge, 4" suction, enclosed multi-vane impeller and flanged tangential single volute.

- Standard cast iron bronze fitted construction (CI impeller)
- External hydraulic balance line
- Back pullout design
- Replaceable suction wear ring
- Replaceable shaft sleeve
- High efficiency hydraulics
- Low operating costs
- Modular bearing frame
- Two year warranty
- Large shaft and bearings
- Grease lubrication standard - oil lubrication optional
- Optional run-dry lubrication system
- Other mechanical seal (cycloseal) and material options available
- SAE #5 engine mount available



AGRICULTURE



FOOD



INDUSTRIAL



MINING



MUNICIPAL



OIL & GAS



REFRIGERATION



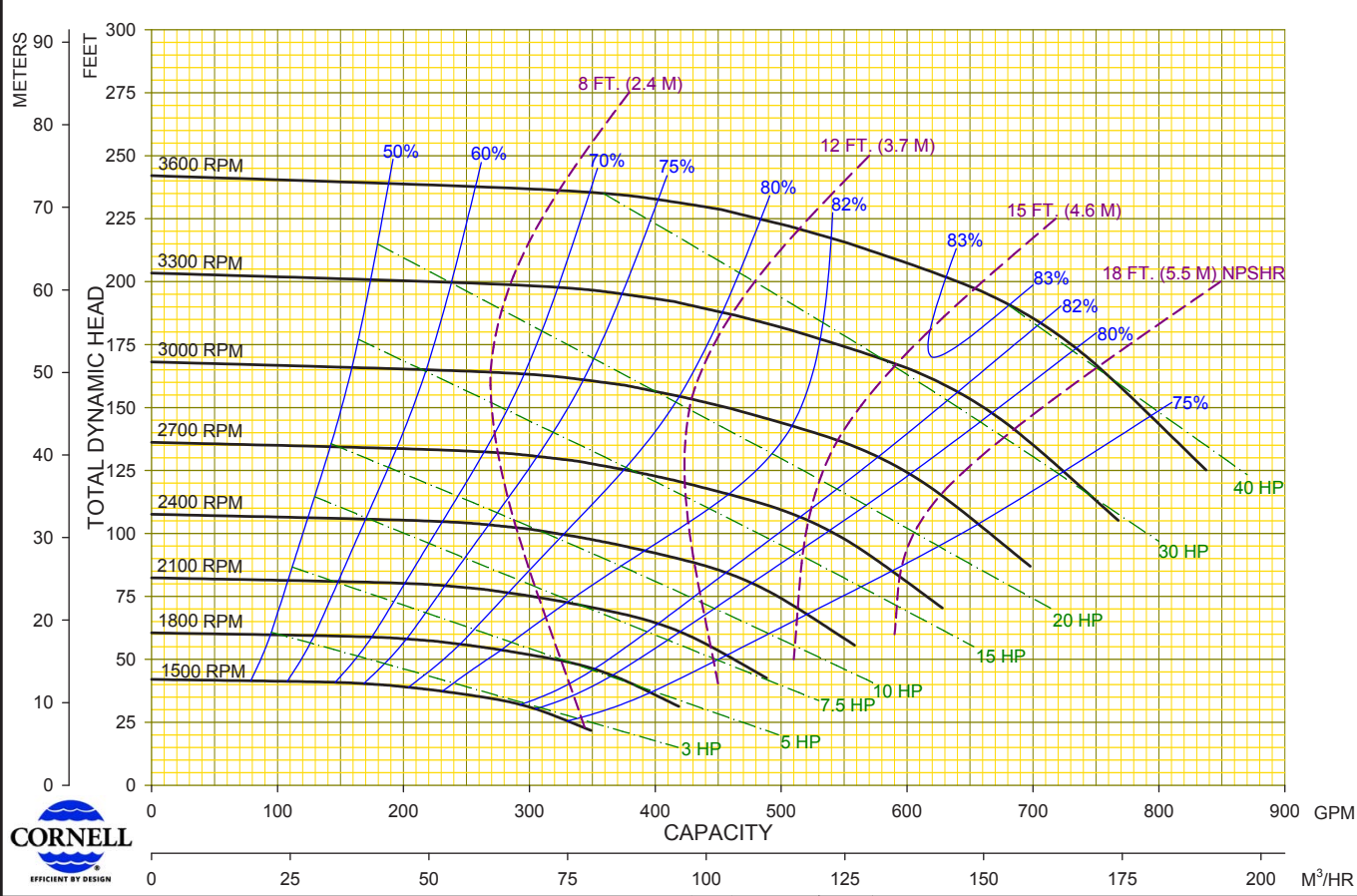
RENTAL

3WHA-F

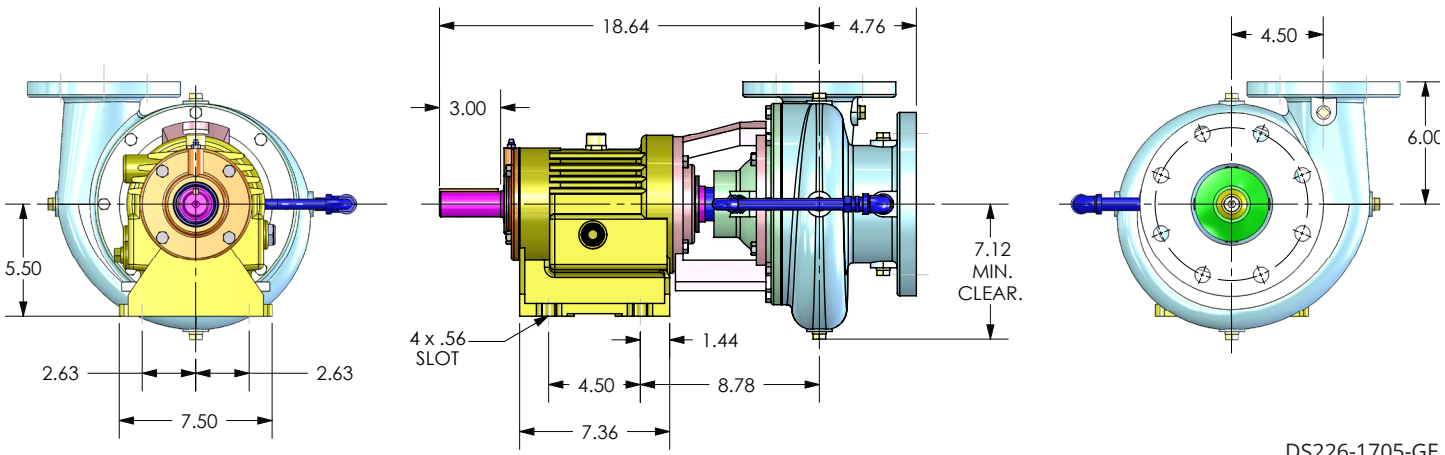


Performances shown are for S.G. 1.0
60°F water, close-coupled configuration.
Other mounting styles or S.G.
may require curve adjustments.

Speed	Impeller Dia.	Style	Volute	Solids Dia.	N _s	Suction	Discharge	No. Vanes
VARIOUS	7.50"	ENCLOSED	SINGLE	.50"	1725	4"	3"	6



Cornell Pump Company • Clackamas, Oregon	01	03/17/16	CTG	MODEL : 3WHA	CURVE NO: 3WHAVA
	00	06/01/04		TYPE : CLEAR LIQUID	



DS226-1705-GE