

# 10YBQ-F

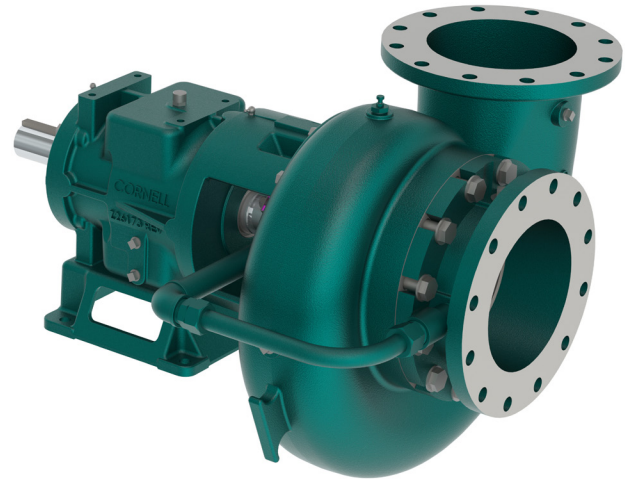


### AVAILABLE MOUNTING CONFIGURATIONS

- 10YBQ-RP REDI-PRIME FRAME MOUNT
- 10YBQ FRAME MOUNT
- 10YBQ-RP-EM REDI-PRIME ENGINE MOUNT
- 10YBQ-EM ENGINE MOUNT
- 10YBQ-VM VERTICAL CLOSE COUPLED
- 10YBQ-VF VERTICAL FRAME MOUNT
- 10YBQ-VC VERTICAL COUPLED
- 10YBQ-CC CLOSE COUPLED

### OPERATING LEVELS

<b>MIN FLOW</b>	900 GPM	204.4 m <sup>3</sup> /h
<b>MAX FLOW</b>	6900 GPM	1567.2 m <sup>3</sup> /h
<b>DISCHARGE SIZE</b>	10"	254 mm
<b>SUCTION SIZE</b>	10"	254 mm
<b>SOLIDS HANDLING</b>	1.38"	35.1 mm
<b>MAX SPEED</b>	2400 RPM	2400 RPM
<b>SHUT-OFF HEAD</b>	207'	63.1 m
<b>BEP HEAD</b>	125'	38.1 m
<b>BEP FLOW</b>	5300 GPM	1203.8 m <sup>3</sup> /h
<b>BEP PERCENT</b>	77%	77%



A typical picture of the pump is shown. Please contact Cornell Pump Company for further details. All information is approximate and for general guidance only.

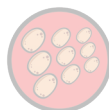
PARTS	CAST IRON BRONZE FITTED (STANDARD)	ALL IRON
<b>IMPELLER</b>	CAST IRON ASTM A48 CL30	CAST IRON ASTM A48 CL30
<b>VOLUTE</b>	CAST IRON ASTM A48 CL30	CAST IRON ASTM A48 CL30
<b>SHAFT</b>	SAE 1144 "STRESSPROOF" STEEL	SAE 1144 "STRESSPROOF" STEEL
<b>SHAFT SLEEVE</b>	BRONZE SAE 660	416 STAINLESS STEEL
<b>BEARING HOUSING</b>	CAST IRON ASTM A48 CL30	CAST IRON ASTM A48 CL30
<b>WEAR RINGS</b>	BRONZE SAE 660	CAST IRON ASTM A48 CL30
<b>SUCTION SPOOL</b>	CAST IRON ASTM A48 CL30	CAST IRON ASTM A48 CL30
<b>BACKPLATE</b>	CAST IRON ASTM A48 CL30	CAST IRON ASTM A48 CL30
<b>MECHANICAL SEAL (OPTIONAL)</b>	T-1 BUNA, CARBON/CERAMIC/STAINLESS	T-1 VITON, CARBON/CERAMIC/STAINLESS
<b>PACKING</b>	GRAPHITED ACRYLIC	GRAPHITED ACRYLIC

The 10YBQ-F pump is designed with Cornell's renowned quality and durability. It features a 10" discharge, 10" suction, and enclosed impeller. Available in Cast Iron Bronze Fitted or All Iron materials. Packing is standard; Cornell's Cycloseal® mechanical sealing system is optional.

- External hydraulic balance line
- Back pull-out design
- Replaceable suction wear rings and shaft sleeve
- High efficiency hydraulics
- Low operating costs
- SAE #1, 2, & 3 engine mount available to fit
- Modular bearing frame
- Oversized shaft and bearings
- Other mechanical seal options available (optional)
- Two-year warranty



AGRICULTURE



FOOD



INDUSTRIAL



MINING



MUNICIPAL



OIL & GAS

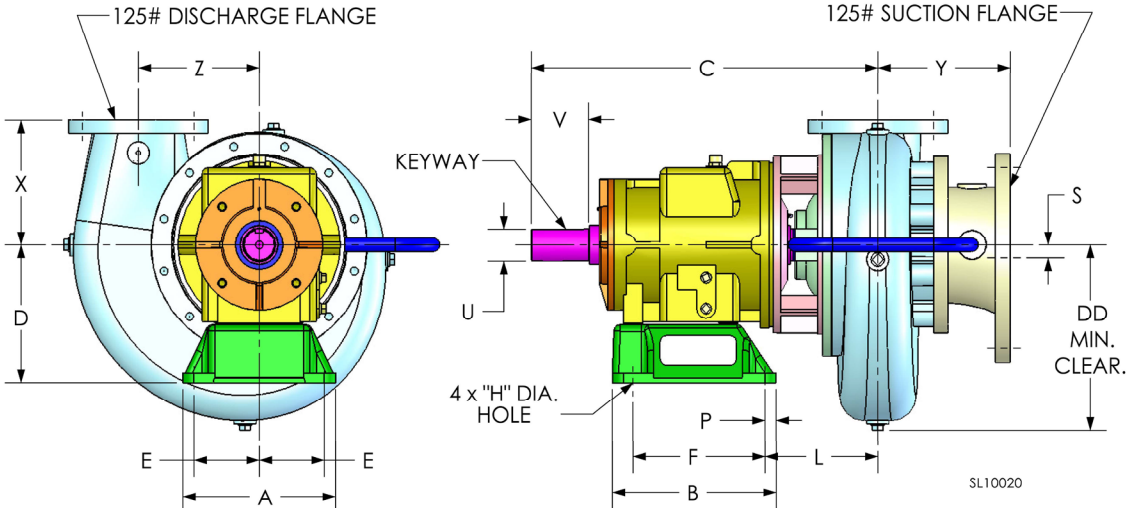
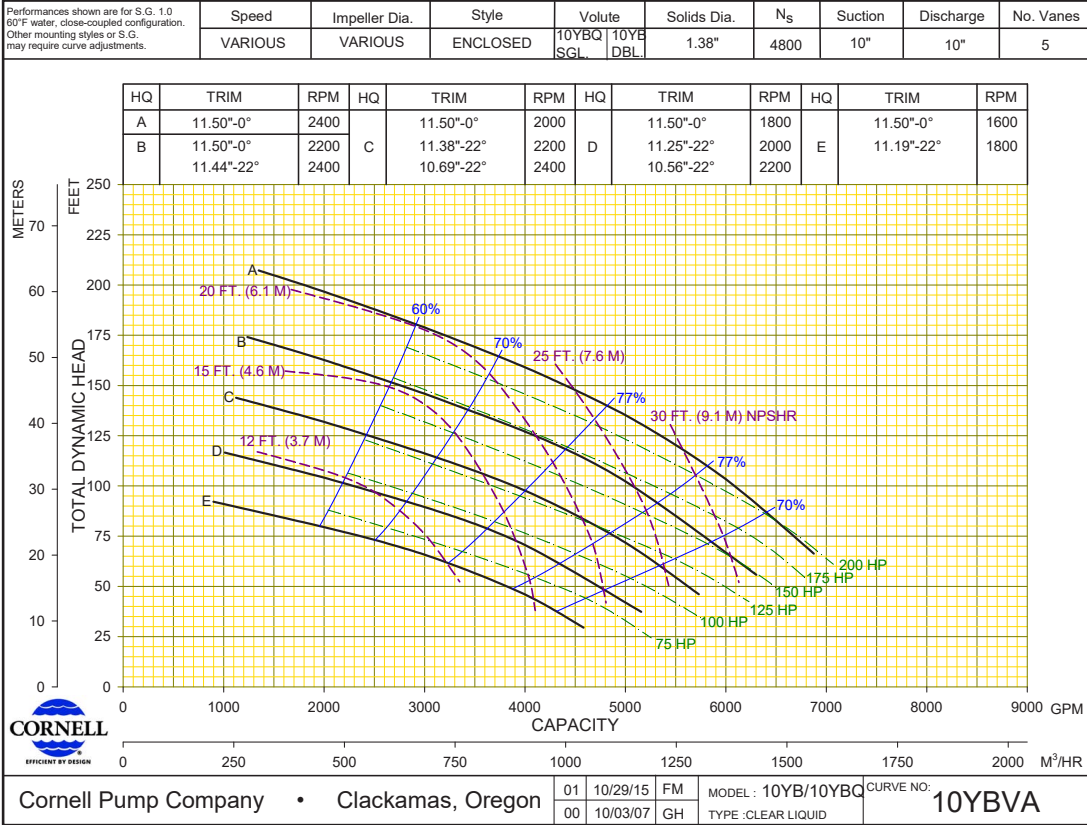


REFRIGERATION



RENTAL

# 10YBQ-F



PUMP DIMENSIONS																					
MODEL	FRAME	CONNECTION		DISCH. INCR.	A	B	C	D	DD	E	F	H	L	P	S	U	V	X	Y	Z	KEYWAY
		DISCH.	SUCT.																		
10YBQ	F18/DB	10	10	90°	12	12.88	30.77	10.5	18.25	5.12	10.38	0.81	12.41	0.88	-	2.5	4.5	11	10.7	12.5	.62X.31