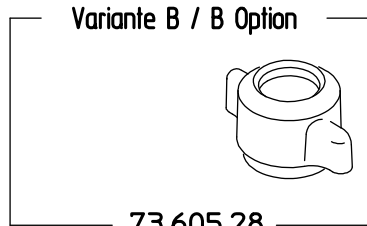


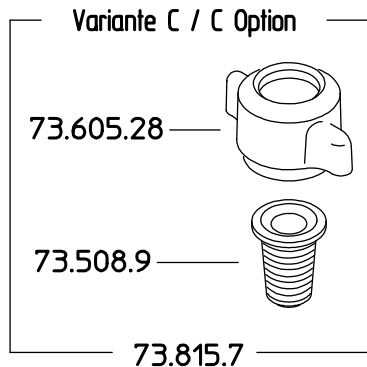
76.617.30 A/B/C



73.605.68



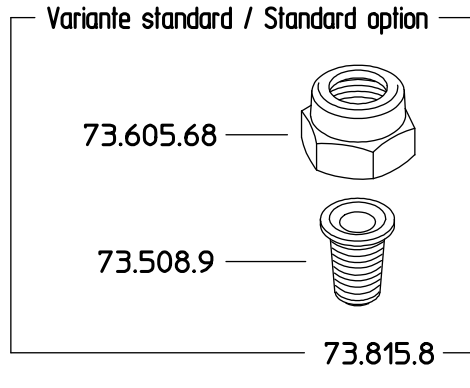
73.605.28



73.605.28

73.508.9

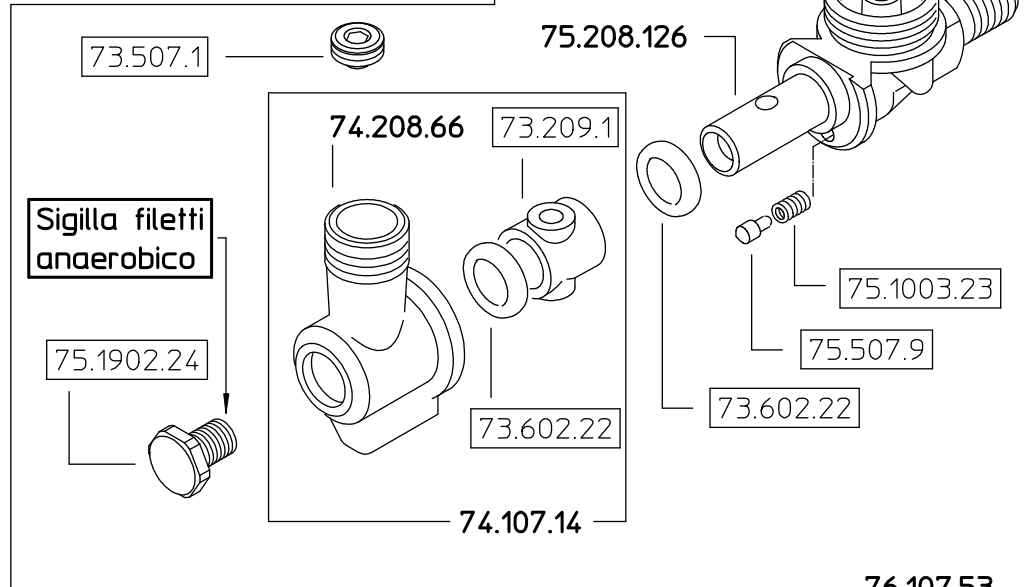
73.815.7



73.605.68

73.508.9

73.815.8



Sigilla filetti anaerobico

75.1902.24

73.507.1

74.208.66

73.209.1

74.107.14

73.602.22

75.208.126

75.605.61

266.1003.15

75.1310.12

300.1006.3

75.1007.8

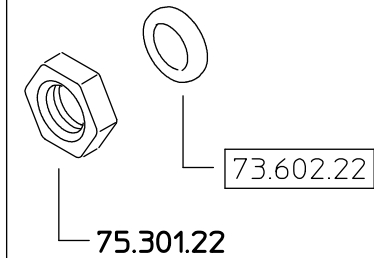
75.602.40

76.107.53

75.1003.23

75.507.9

73.602.22



73.602.22

75.301.22

Solo per kit
Only for kit

23.602.34 x2

68.602.10

73.602.22 x2

260.602.14 x2



73.507.1

Come si ordina/How to order
Kit ricambio
Spare parts kit **75.302.28**

DENOMINAZIONE: Getto M76 11/16UN G1/4 M.			N°revisione 02	Data revisione: 24/02/10
Braglia SRL I-42029 Masone (REGGIO EMILIA)-ITALY-UE	Tel. ++39 0522 340648	STE	RTE	Dis.N°/Codice
	Fax. ++39 0522 345025			76.617.30
Email: braglia@braglia.it				