



TYPE "B" SINGLE STAGE CENTRIFUGAL PUMP Electric Motor Drive

Section	CC
Page	160.1
Date	January 1, 2004
Supersedes 6/1/95	

CAST IRON IMPELLER

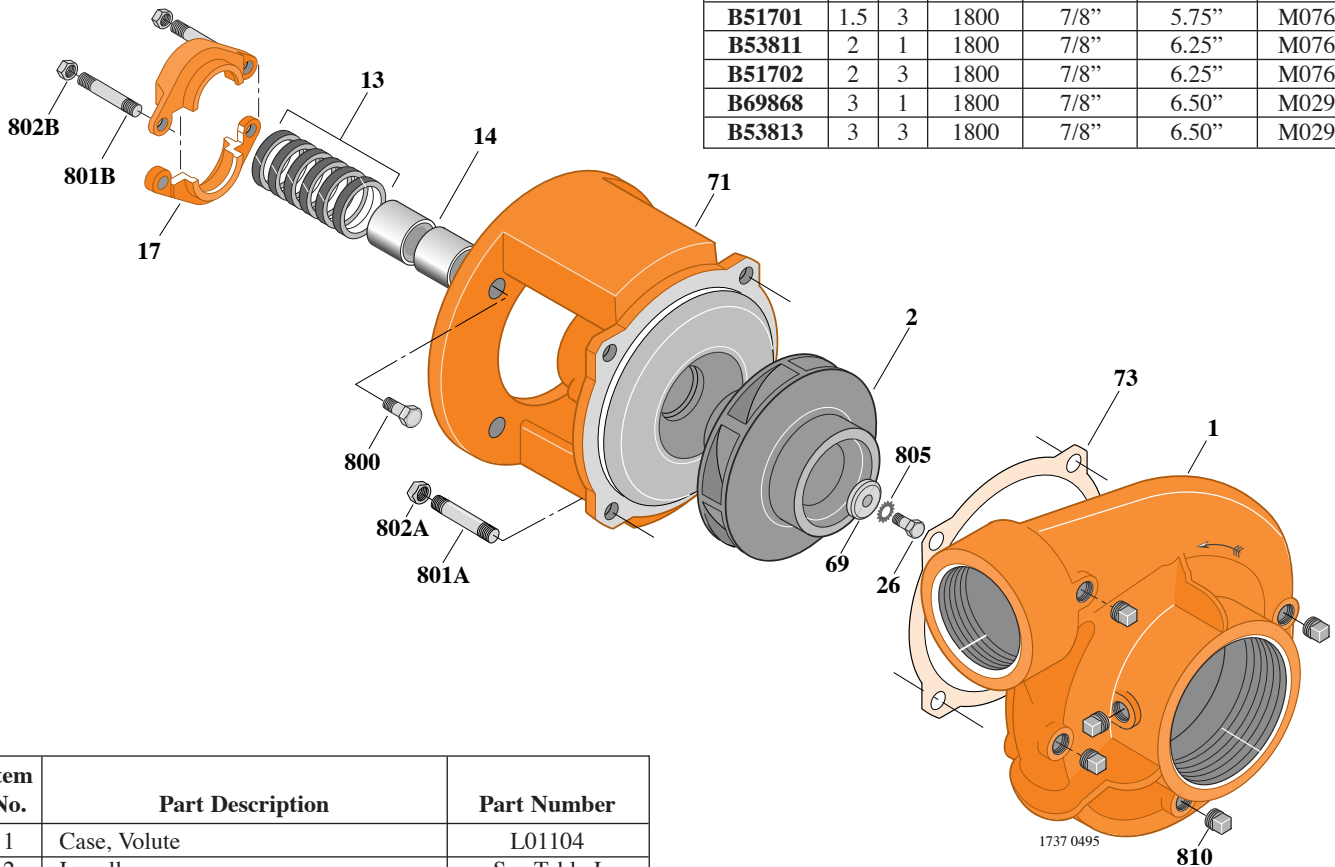
B3TPM

Threaded Case (NPT)

Packing Construction

TABLE I

B/M No.	HP	PH	RPM	"U" Dim.	Imp. Dia.	Imp. No.
B51696	1	1	1800	7/8"	5.12"	M07652
B51700	1	3	1800	7/8"	5.12"	M07652
B51697	1.5	1	1800	7/8"	5.75"	M07653
B51701	1.5	3	1800	7/8"	5.75"	M07653
B53811	2	1	1800	7/8"	6.25"	M07654
B51702	2	3	1800	7/8"	6.25"	M07654
B69868	3	1	1800	7/8"	6.50"	M02959
B53813	3	3	1800	7/8"	6.50"	M02959



Item No.	Part Description	Part Number
1	Case, Volute	L01104
2	Impeller	See Table I
13	Rings, Packing (Set of 6)	S13469
14	Sleeve, Shaft (2 Req.)	S00619
17	Gland, Packing	B82469
26	Screw, Impeller 3/8 - 16 x 1"	S23566
32	Key, 3/16 x 1-1/4" (See Note)	S34383
69	Washer, Impeller	S06314
71	Bracket	See Table II
73	Gasket, Volute	S04757
800	Capscrew, 3/8 - 16 x 7/8" (4 Req.)	S26825
801A	Stud, 1/2 - 13 x 1-1/2" (4 Req.)	S24043
801B	Stud, 3/8 - 16 x 4" (2 Req.)	S08303
802A	Nut, Hex 1/2 - 13 (4 Req.)	S23107
802B	Nut, Hex 3/8 - 16 (2 Req.)	S23343
805	Washer, Lock	S23706
810	Plug, Pipe 1/4 NPT (5 Req.)	S23715

TABLE II

HP	PH	Bracket No.	"AK" Fit	"U" Dim.	Motor Frame
1	1	L01525	4-1/2"	7/8"	143JP
1	3	L01525	4-1/2"	7/8"	143JP
1.5	1	L01525	4-1/2"	7/8"	145JP
1.5	3	L01525	4-1/2"	7/8"	145JP
2	1	L01525	4-1/2"	7/8"	182JP
2	3	L01525	4-1/2"	7/8"	145JP
3	1	L01525	4-1/2"	7/8"	184JP
3	3	L01525	4-1/2"	7/8"	182JP

NOTE: For an explanation of the tabulated material found on this page and for impeller key location, refer to *Supplement A* located at the beginning of this section.



TYPE "B" SINGLE STAGE CENTRIFUGAL PUMP Electric Motor Drive

Section	CC
Page	160.2
Date	January 1, 2004
Supersedes 6/1/95	

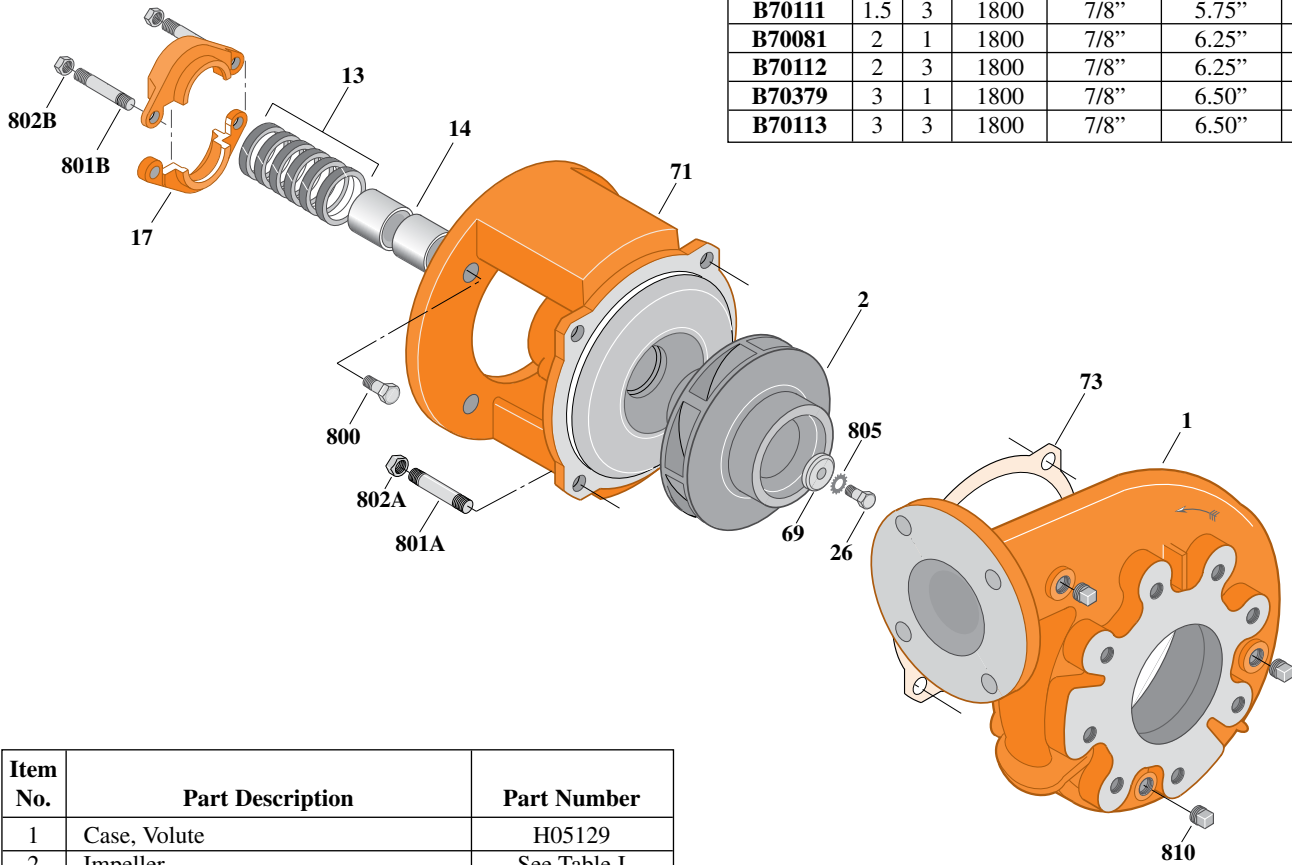
CAST IRON IMPELLER B3TPM

Flanged Case

Packing Construction

TABLE I

B/M No.	HP	PH	RPM	"U" Dim.	Imp. Dia.	Imp. No.
B70074	1	1	1800	7/8"	5.12"	M07652
B70110	1	3	1800	7/8"	5.12"	M07652
B70078	1.5	1	1800	7/8"	5.75"	M07653
B70111	1.5	3	1800	7/8"	5.75"	M07653
B70081	2	1	1800	7/8"	6.25"	M07654
B70112	2	3	1800	7/8"	6.25"	M07654
B70379	3	1	1800	7/8"	6.50"	M02959
B70113	3	3	1800	7/8"	6.50"	M02959



Item No.	Part Description	Part Number
1	Case, Volute	H05129
2	Impeller	See Table I
13	Rings, Packing (Set of 6)	S13469
14	Sleeve, Shaft (2 Req.)	S00619
17	Gland, Packing	B82469
26	Screw, Impeller 3/8 - 16 x 1"	S23566
32	Key, 3/16 x 1-1/4" (See Note)	S34383
69	Washer, Impeller	S06314
71	Bracket	See Table II
73	Gasket, Volute	S04757
800	Capscrew, 3/8 - 16 x 7/8" (4 Req.)	S26825
801A	Stud, 1/2 - 13 x 1-1/2" (4 Req.)	S24043
801B	Stud, 3/8 - 16 x 4" (2 Req.)	S08303
802A	Nut, Hex 1/2 - 13 (4 Req.)	S23107
802B	Nut, Hex 3/8 - 16 (2 Req.)	S23343
805	Washer, Lock	S23036
810	Plug, Pipe 1/4 NPT	S23715

TABLE II

HP	PH	Bracket No.	"AK" Fit	"U" Dim.	Motor Frame
1	1	L01525	4-1/2"	7/8"	143JP
1	3	L01525	4-1/2"	7/8"	143JP
1.5	1	L01525	4-1/2"	7/8"	145JP
1.5	3	L01525	4-1/2"	7/8"	145JP
2	1	L01525	4-1/2"	7/8"	182JP
2	3	L01525	4-1/2"	7/8"	145JP
3	1	L01525	4-1/2"	7/8"	184JP
3	3	L01525	4-1/2"	7/8"	182JP

NOTE: For an explanation of the tabulated material found on this page and for impeller key location, refer to **Supplement A** located at the beginning of this section.



TYPE "B" SINGLE STAGE CENTRIFUGAL PUMP Electric Motor Drive

Section	CC
Page	160.3
Date	January 1, 2004
Supersedes 6/1/95	

CAST IRON IMPELLER

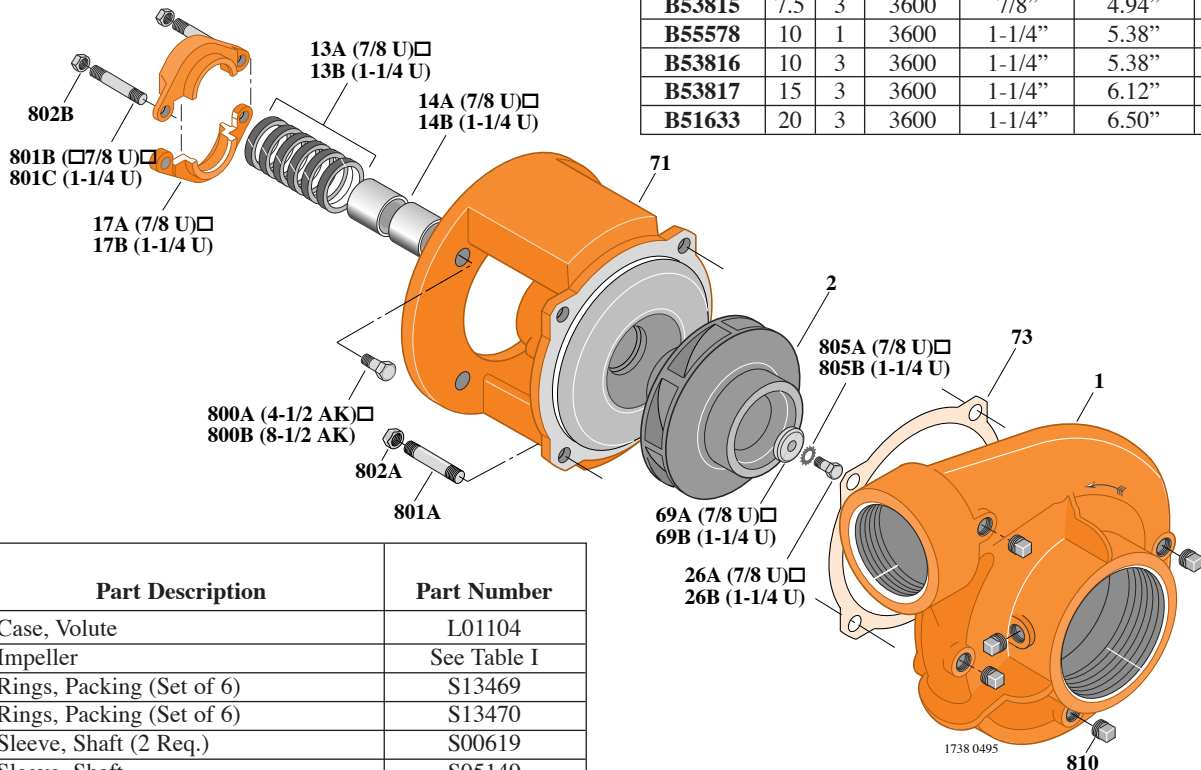
B3TPM

Threaded Case (NPT)

Packing Construction

TABLE I

B/M No.	HP	PH	RPM	"U" Dim.	Imp. Dia.	Imp. No.
B53814	7.5	1	3600	1-1/4"	4.94"	M07647
B53815	7.5	3	3600	7/8"	4.94"	M07651
B55578	10	1	3600	1-1/4"	5.38"	M07648
B53816	10	3	3600	1-1/4"	5.38"	M07648
B53817	15	3	3600	1-1/4"	6.12"	M07649
B51633	20	3	3600	1-1/4"	6.50"	M02960



Item No.	Part Description	Part Number
1	Case, Volute	L01104
2	Impeller	See Table I
13A	Rings, Packing (Set of 6)	S13469
13B	Rings, Packing (Set of 6)	S13470
14A	Sleeve, Shaft (2 Req.)	S00619
14B	Sleeve, Shaft	S05149
17A	Gland, Packing	B82469
17B	Gland, Packing	B82470
26A	Screw, Impeller 3/8 - 16 x 1"	S23566
26B	Screw, Impeller 1/2 - 13 x 1"	S23619
32A	Key, 3/16 x 1-1/4" (See Note)	S34383
32B	Key, 1/4 x 2-1/4" (See Note)	S23677
69A	Washer, Impeller	S06314
69B	Washer, Impeller	S06319
71	Bracket	See Table II
73	Gasket, Volute	S04757
800A	Capscrew, 3/8 - 16 x 7/8" (4 Req.)	S26825
800B	Capscrew, 1/2 - 13 x 1" (4 Req.)	S26912
801A	Stud, 1/2 - 13 x 1-1/2" (4 Req.)	S23043
801B	Stud, 3/8 - 16 x 4" (2 Req.)	S08303
801C	Stud, 3/8 - 16 x 3-1/2" (2 Req.)	S04441
802A	Nut, Hex 1/2 - 13 (4 Req.)	S23107
802B	Nut, Hex 3/8 - 16 (2 Req.)	S23343
805A	Washer, Lock	S23036
805B	Washer, Lock	S23038
810	Plug, Pipe 1/4 NPT (5 Req.)	S23715

TABLE II

HP	PH	Bracket No.	"AK" Fit	"U" Dim.	Motor Frame
7.5	1	L01951	8-1/2"	1-1/4"	213JP
7.5	3	L01525	4-1/2"	7/8"	184JP
10	1	L01951	8-1/2"	1-1/4"	215JP
10	3	L01951	8-1/2"	1-1/4"	213JP
15	3	L01951	8-1/2"	1-1/4"	215JP
20	3	L01951	8-1/2"	1-1/4"	254JP

NOTE: For an explanation of the tabulated material found on this page and for impeller key location, refer to *Supplement A* located at the beginning of this section.



TYPE "B" SINGLE STAGE CENTRIFUGAL PUMP Electric Motor Drive

Section	CC
Page	160.4
Date	January 1, 2004
Supersedes 6/1/95	

CAST IRON IMPELLER

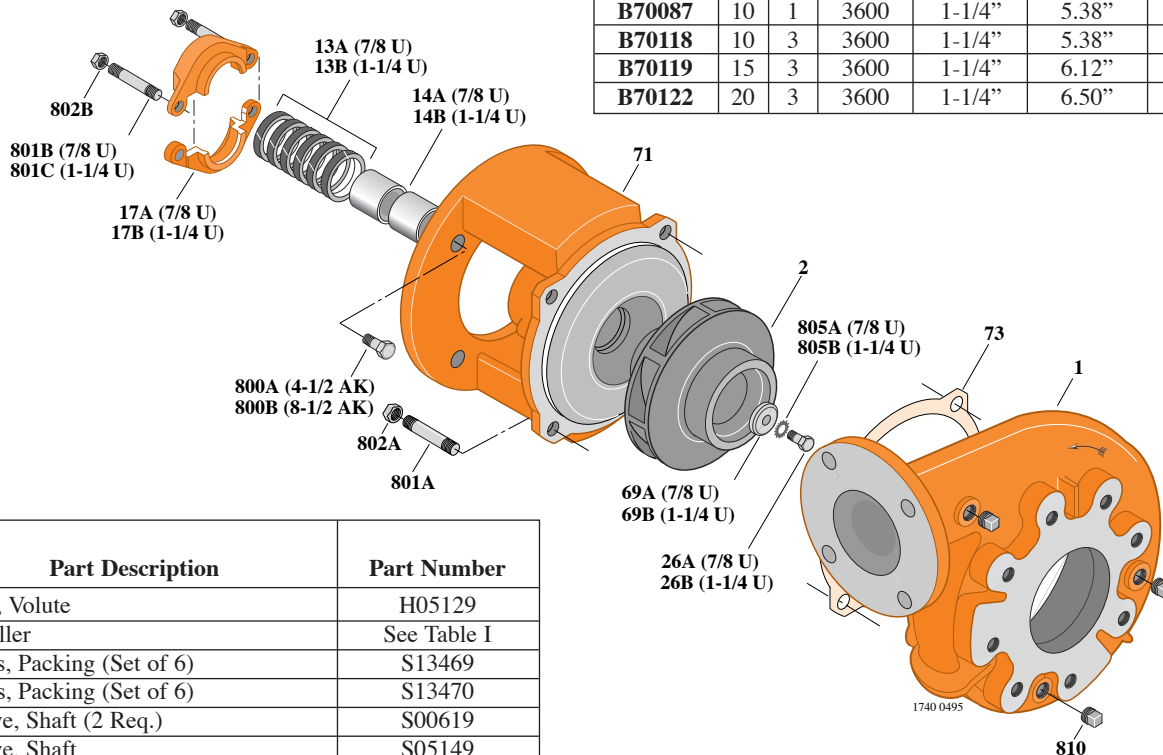
B3TPM

Flanged Case

Packing Construction

TABLE I

B/M No.	HP	PH	RPM	"U" Dim.	Imp. Dia.	Imp. No.
B70084	7.5	1	3600	1-1/4"	4.94"	M07647
B70116	7.5	3	3600	7/8"	4.94"	M07651
B70087	10	1	3600	1-1/4"	5.38"	M07648
B70118	10	3	3600	1-1/4"	5.38"	M07648
B70119	15	3	3600	1-1/4"	6.12"	M07649
B70122	20	3	3600	1-1/4"	6.50"	M02960



Item No.	Part Description	Part Number
1	Case, Volute	H05129
2	Impeller	See Table I
13A	Rings, Packing (Set of 6)	S13469
13B	Rings, Packing (Set of 6)	S13470
14A	Sleeve, Shaft (2 Req.)	S00619
14B	Sleeve, Shaft	S05149
17A	Gland, Packing	B82469
17B	Gland, Packing	B82470
26A	Screw, Impeller 3/8 - 16 x 1"	S23566
26B	Screw, Impeller 1/2 - 13 x 1"	S23619
32A	Key, 3/16 x 1-1/4" (See Note)	S34383
32B	Key, 1/4 x 2-1/4" (See Note)	S23677
69A	Washer, Impeller	S06314
69B	Washer, Impeller	S06919
71	Bracket	See Table II
73	Gasket, Volute	S04757
800A	Capscrew, 3/8 - 16 x 7/8" (4 Req.)	S26825
800B	Capscrew, 1/2 - 13 x 1" (4 Req.)	S26912
801A	Stud, 1/2 - 13 x 1-1/2" (4 Req.)	S24043
801B	Stud, 3/8 - 16 x 4" (2 Req.)	S08303
801C	Stud, 3/8 - 16 x 3-1/2" (2 Req.)	S04441
802A	Nut, Hex 1/2 - 13 (4 Req.)	S23107
802B	Nut, Hex 3/8 - 16 (2 Req.)	S23343
805A	Washer, Lock	S23036
805B	Washer, Lock	S23038
810	Plug, Pipe 1/4 NPT (5 Req.)	S23715

TABLE II

HP	PH	Bracket No.	"AK" Fit	"U" Dim.	Motor Frame
7.5	1	L01951	8-1/2"	1-1/4"	213JP
7.5	3	L01525	4-1/2"	7/8"	184JP
10	1	L01951	8-1/2"	1-1/4"	215JP
10	3	L01951	8-1/2"	1-1/4"	213JP
15	3	L01951	8-1/2"	1-1/4"	215JP
20	3	L01951	8-1/2"	1-1/4"	254JP

NOTE: For an explanation of the tabulated material found on this page and for impeller key location, refer to *Supplement A* located at the beginning of this section.



TYPE "B" SINGLE STAGE CENTRIFUGAL PUMP Electric Motor Drive

Section	CC
Page	160.5
Date	January 1, 2004
Supersedes 6/1/95	

CAST IRON IMPELLER

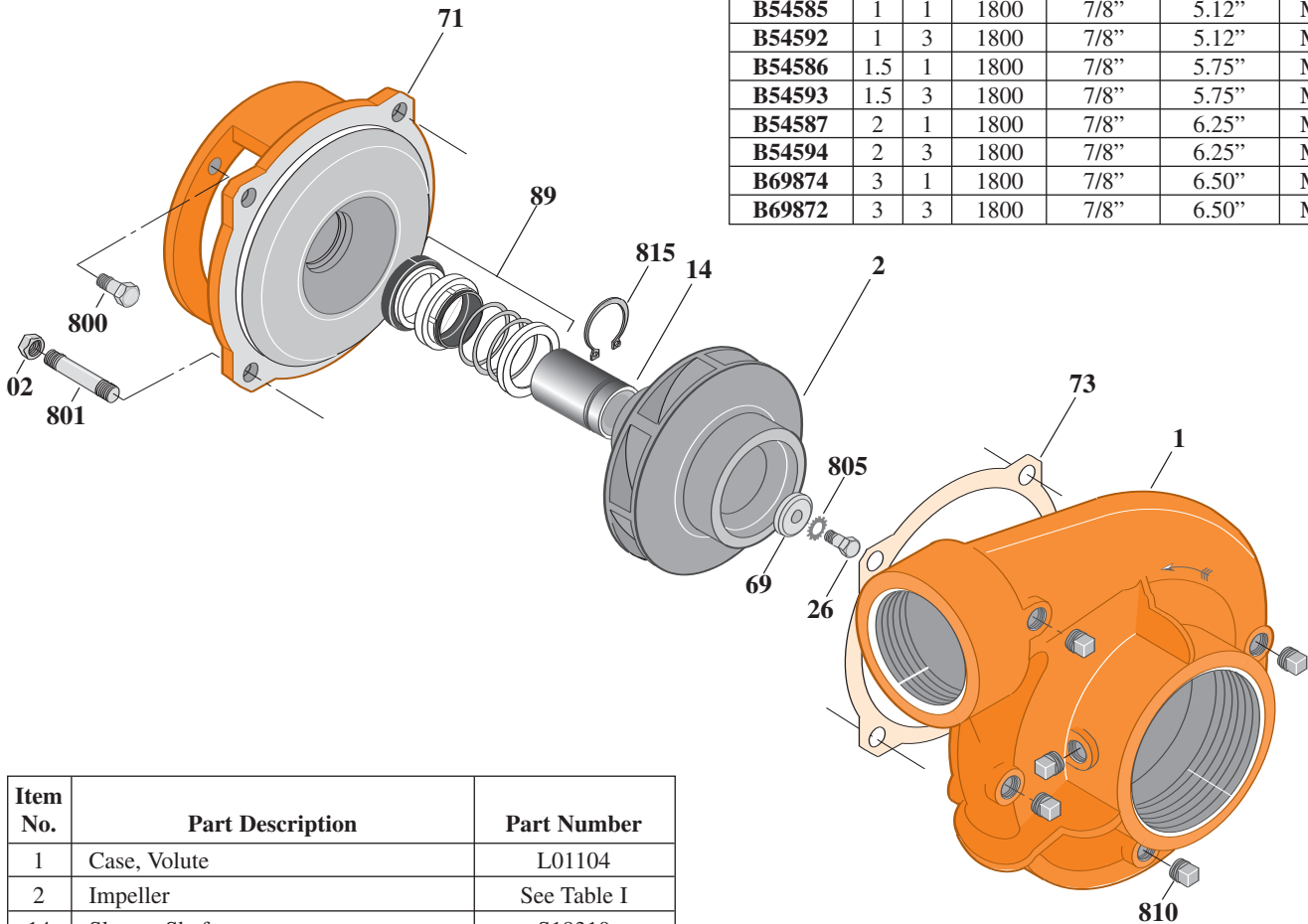
B3TPMS

Threaded Case (NPT)

Mechanical Shaft Seal Construction

TABLE I

B/M No.	HP	PH	RPM	"U" Dim.	Imp. Dia.	Imp. No.
B54585	1	1	1800	7/8"	5.12"	M07652
B54592	1	3	1800	7/8"	5.12"	M07652
B54586	1.5	1	1800	7/8"	5.75"	M07653
B54593	1.5	3	1800	7/8"	5.75"	M07653
B54587	2	1	1800	7/8"	6.25"	M07654
B54594	2	3	1800	7/8"	6.25"	M07654
B69874	3	1	1800	7/8"	6.50"	M02959
B69872	3	3	1800	7/8"	6.50"	M02959



Item No.	Part Description	Part Number
1	Case, Volute	L01104
2	Impeller	See Table I
14	Sleeve, Shaft	S19310
26	Screw, Impeller 3/8 - 16 x 1"	S23566
32	Key, 3/16 x 1-1/4" (See Note)	S34383
69	Washer, Impeller	S06314
71	Bracket	See Table II
73	Gasket, Volute	S04757
89	Seal, Mechanical Shaft	S32014
800	Capscrew, 3/8 - 16 x 1" (4 Req.) (For 4-1/2 AK)	S26826
801	Stud, 1/2 - 13 x 1-1/2" (4 Req.)	S24043
802	Nut, 1/2 - 13 (4 Req.)	S23107
805	Washer, Lock	S23036
810	Plug, Pipe 1/4 NPT (5 Req.)	S23715
815	Ring, Retaining	S11207

TABLE II

HP	PH	Bracket No.	"AK" Fit	"U" Dim.	Motor Frame
1	1	L05329	4-1/2"	7/8"	143JM
1	3	L05329	4-1/2"	7/8"	143JM
1.5	1	L05329	4-1/2"	7/8"	145JM
1.5	3	L05329	4-1/2"	7/8"	145JM
2	1	L05329	4-1/2"	7/8"	182JM
2	3	L05329	4-1/2"	7/8"	145JM
3	1	L05329	4-1/2"	7/8"	184JM
3	3	L05329	4-1/2"	7/8"	182JM

NOTE: For an explanation of the tabulated material found on this page and for impeller key location, refer to *Supplement A* located at the beginning of this section.



TYPE "B" SINGLE STAGE CENTRIFUGAL PUMP Electric Motor Drive

Section	CC
Page	160.6
Date	May 15, 2009
Supersedes 1/1/04	

CAST IRON IMPELLER

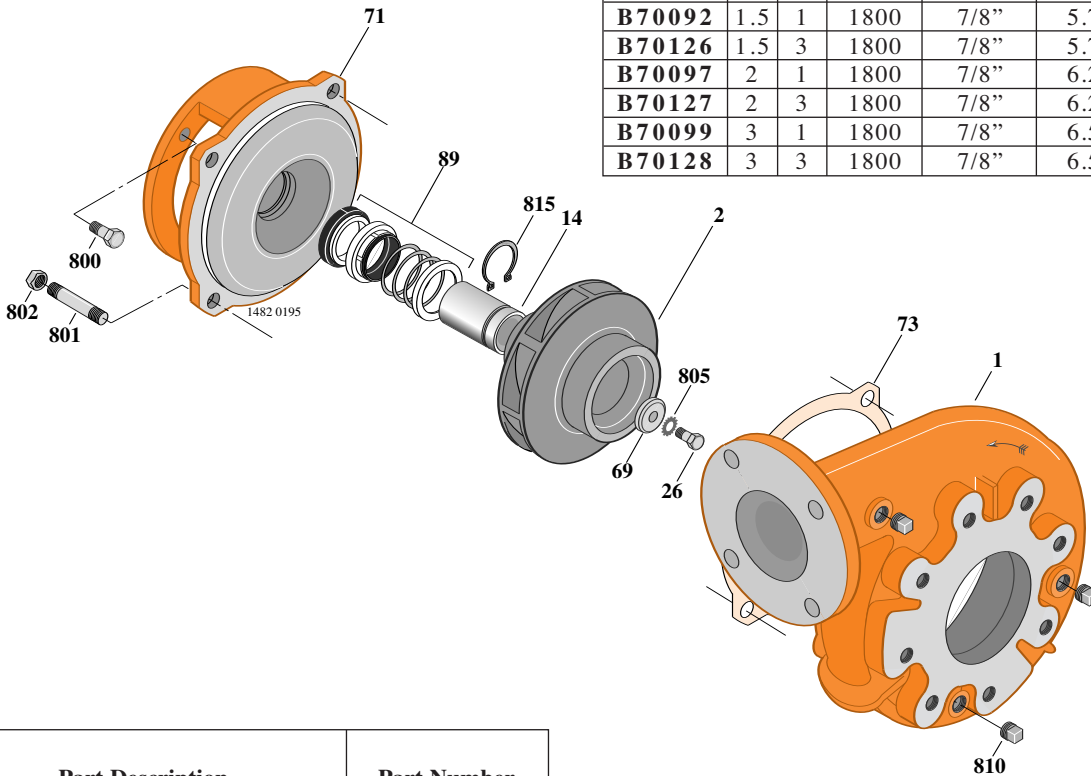
B3TPMS

Flanged Case

Mechanical Shaft Seal Construction

TABLE I

B/M No.	HP	PH	RPM	"U" Dim.	Imp. Dia.	Imp. No.
B70090	1	1	1800	7/8"	5.12"	M07652
B70125	1	3	1800	7/8"	5.12"	M07652
B70092	1.5	1	1800	7/8"	5.75"	M07653
B70126	1.5	3	1800	7/8"	5.75"	M07653
B70097	2	1	1800	7/8"	6.25"	M07654
B70127	2	3	1800	7/8"	6.25"	M07654
B70099	3	1	1800	7/8"	6.50"	M02959
B70128	3	3	1800	7/8"	6.50"	M02959



Item No.	Part Description	Part Number
1	Case, Volute	H05129
2	Impeller	See Table I
14	Sleeve, Shaft (See Note 2)	S19310L
26	Screw, Impeller 3/8 - 16 x 1"	S23566
32	Key, 3/16 x 1-1/4" (See Note 1)	S34383
69	Washer, Impeller	S06314
71	Bracket	See Table II
73	Gasket, Volute	S04757
89	Seal, Mechanical Shaft	S32014
800	Capscrew, 3/8 - 16 x 1" (4 Req.) (For 4-1/2 AK)	S26826
801	Stud, 1/2 - 13 x 1-1/2" (4 Req.)	S24043
802	Nut, 1/2 - 13 (4 Req.)	S23107
805	Washer, Lock	S23036
810	Plug, Pipe 1/4 NPT (5 Req.)	S23715
815	Ring, Retaining	S11207

TABLE II

HP	PH	Bracket No.	"AK" Fit	"U" Dim.	Motor Frame
1	1	L05329	4-1/2"	7/8"	143JM
1	3	L05329	4-1/2"	7/8"	143JM
1.5	1	L05329	4-1/2"	7/8"	145JM
1.5	3	L05329	4-1/2"	7/8"	145JM
2	1	L05329	4-1/2"	7/8"	182JM
2	3	L05329	4-1/2"	7/8"	145JM
3	1	L05329	4-1/2"	7/8"	184JM
3	3	L05329	4-1/2"	7/8"	182JM

NOTE 1: For an explanation of the tabulated material found on this page and for impeller key location, refer to *Supplement A* located at the beginning of this section.

NOTE 2: Sleeve replacement kit available. Berkeley part number B85681 includes the shaft sleeve, adhesive compound and instruction sheet.



TYPE "B" SINGLE STAGE CENTRIFUGAL PUMP Electric Motor Drive

Section	CC
Page	160.7
Date	May 15, 2009
Supersedes 1/1/04	

CAST IRON IMPELLER

B3TPMS

Threaded Case (NPT)

Mechanical Shaft Seal Construction

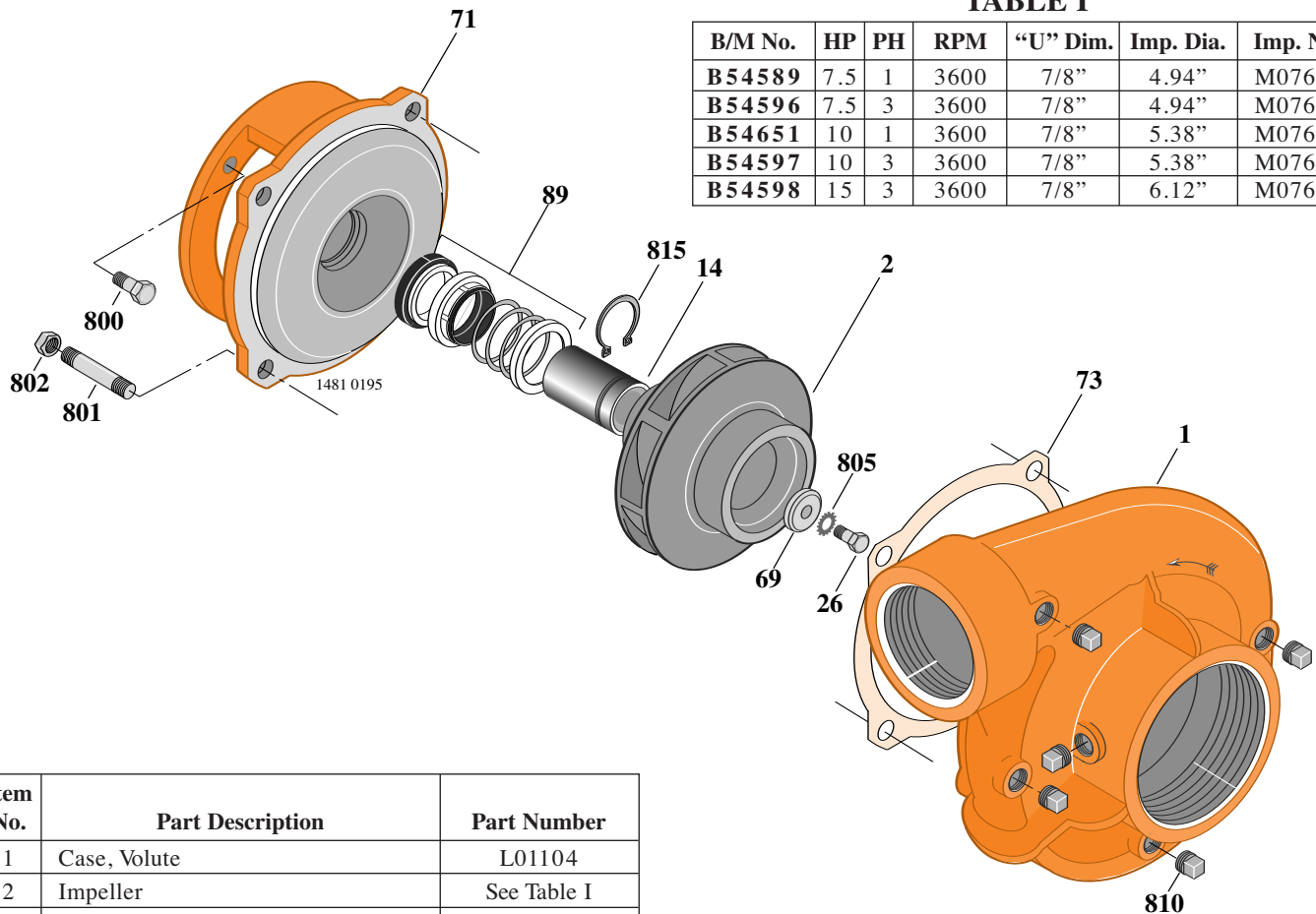


TABLE I

B/M No.	HP	PH	RPM	"U" Dim.	Imp. Dia.	Imp. No.
B54589	7.5	1	3600	7/8"	4.94"	M07651
B54596	7.5	3	3600	7/8"	4.94"	M07651
B54651	10	1	3600	7/8"	5.38"	M07684
B54597	10	3	3600	7/8"	5.38"	M07684
B54598	15	3	3600	7/8"	6.12"	M07685

Item No.	Part Description	Part Number
1	Case, Volute	L01104
2	Impeller	See Table I
14	Sleeve, Shaft (See Note 2)	S19310L
26	Screw, Impeller 3/8 - 16 x 1"	S23566
32	Key, 3/16 x 1-1/4" (See Note 1)	S34383
69	Washer, Impeller	S06314
71	Bracket	See Table II
73	Gasket, Volute	S04757
89	Seal, Mechanical Shaft	S32014
800	Capscrew, 3/8 - 16 x 1" (4 Req.) (For 4-1/2 AK)	S26826
800	Capscrew, 1/2 - 13 x 1" (4 Req.) (For 8-1/2 AK)	S26912
801	Stud, 1/2 - 13 x 1-1/2" (4 Req.)	S24043
802	Nut, 1/2 - 13 (4 Req.)	S23107
805	Washer, Lock	S23036
810	Plug, Pipe 1/4 NPT (5 Req.)	S23715
815	Ring, Retaining	S11207

TABLE II

HP	PH	Bracket No.	"AK" Fit	"U" Dim.	Motor Frame
7.5	1	L05328	8-1/2"	7/8"	213JM
7.5	3	L05329	4-1/2"	7/8"	184JM
10	1	L05328	8-1/2"	7/8"	215JM
10	3	L05328	8-1/2"	7/8"	213JM
15	3	L05328	8-1/2"	7/8"	215JM

NOTE 1: For an explanation of the tabulated material found on this page and for impeller key location, refer to *Supplement A* located at the beginning of this section.

NOTE 2: Sleeve replacement kit available. Berkeley part number B85681 includes the shaft sleeve, adhesive compound and instruction sheet.



TYPE "B" SINGLE STAGE CENTRIFUGAL PUMP Electric Motor Drive

Section	CC
Page	160.9
Date	May 15, 2009
Supersedes 1/1/04	

CAST IRON IMPELLER

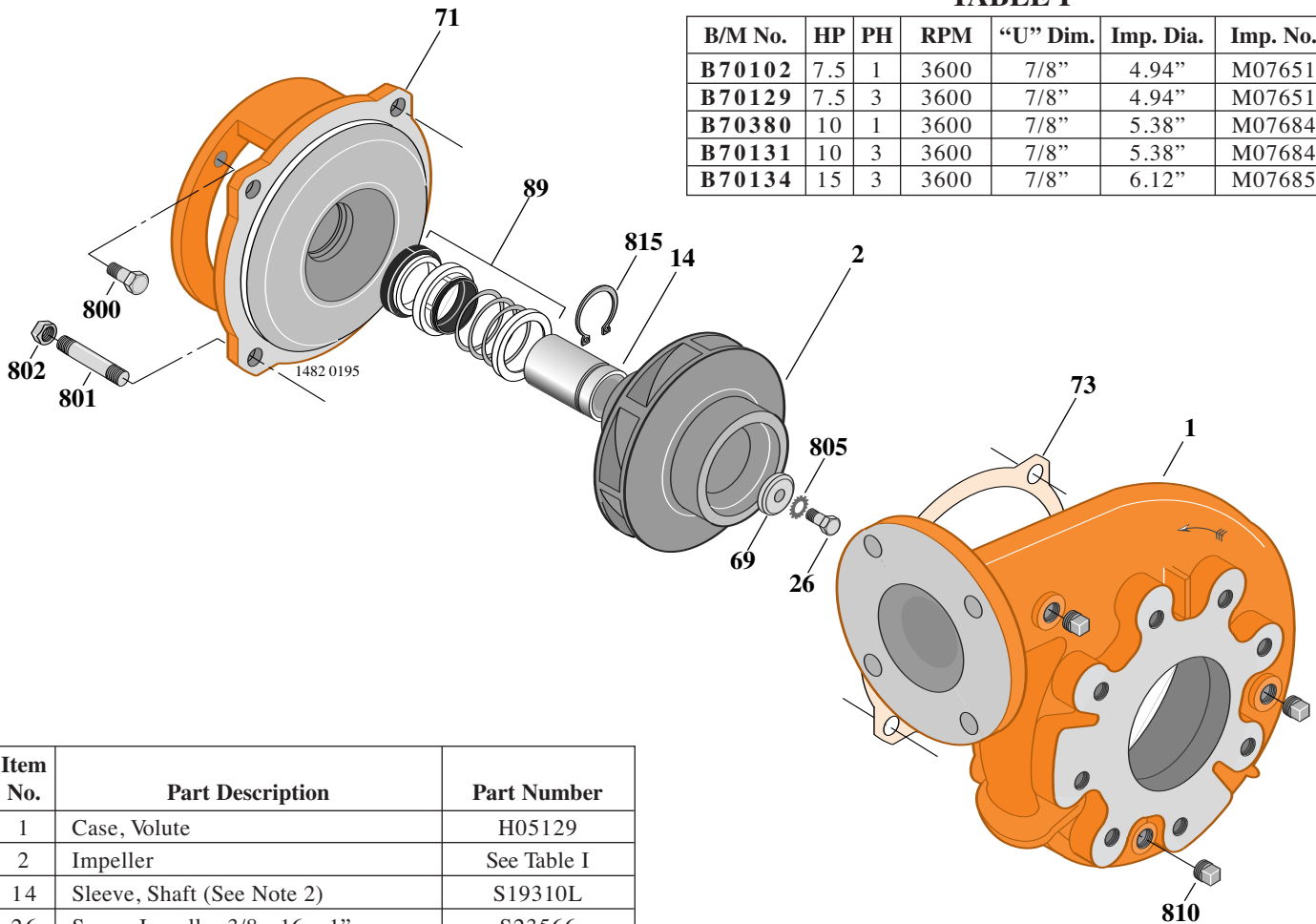
B3TPMS

Flanged Case

Mechanical Shaft Seal Construction

TABLE I

B/M No.	HP	PH	RPM	"U" Dim.	Imp. Dia.	Imp. No.
B70102	7.5	1	3600	7/8"	4.94"	M07651
B70129	7.5	3	3600	7/8"	4.94"	M07651
B70380	10	1	3600	7/8"	5.38"	M07684
B70131	10	3	3600	7/8"	5.38"	M07684
B70134	15	3	3600	7/8"	6.12"	M07685



Item No.	Part Description	Part Number
1	Case, Volute	H05129
2	Impeller	See Table I
14	Sleeve, Shaft (See Note 2)	S19310L
26	Screw, Impeller 3/8 - 16 x 1"	S23566
32	Key, 3/16 x 1-1/4" (See Note 1)	S34383
40	Washer, Impeller	S06314
71	Bracket	See Table II
73	Gasket, Volute	S04757
89	Seal, Mechanical Shaft	S32014
800	Capscrew, 3/8 - 16 x 1" (4 Req.) (For 4-1/2 AK)	S26826
800	Capscrew, 1/2 - 13 x 1" (4 Req.) (For 8-1/2 AK)	S26912
801	Stud, 1/2 - 13 x 1-1/2" (4 Req.)	S24043
802	Nut, 1/2 - 13 (4 Req.)	S23107
805	Washer, Lock	S23036
810	Plug, Pipe 1/4 NPT (5 Req.)	S23715
815	Ring, Retaining	S11207

TABLE II

HP	PH	Bracket No.	"AK" Fit	"U" Dim.	Motor Frame
7.5	1	L05328	8-1/2"	7/8"	213JM
7.5	3	L05329	4-1/2"	7/8"	184JM
10	1	L05328	8-1/2"	7/8"	215JM
10	3	L05328	8-1/2"	7/8"	213JM
15	3	L05328	8-1/2"	7/8"	215JM

NOTE 1: For an explanation of the tabulated material found on this page and for impeller key location, refer to *Supplement A* located at the beginning of this section.

NOTE 2: Sleeve replacement kit available. Berkeley part number B85681 includes the shaft sleeve, adhesive compound and instruction sheet.



TYPE "B" SINGLE STAGE CENTRIFUGAL PUMP Electric Motor Drive

Section	CC
Page	160.10
Date	January 1, 2004
Supersedes 6/1/95	

CAST IRON IMPELLER

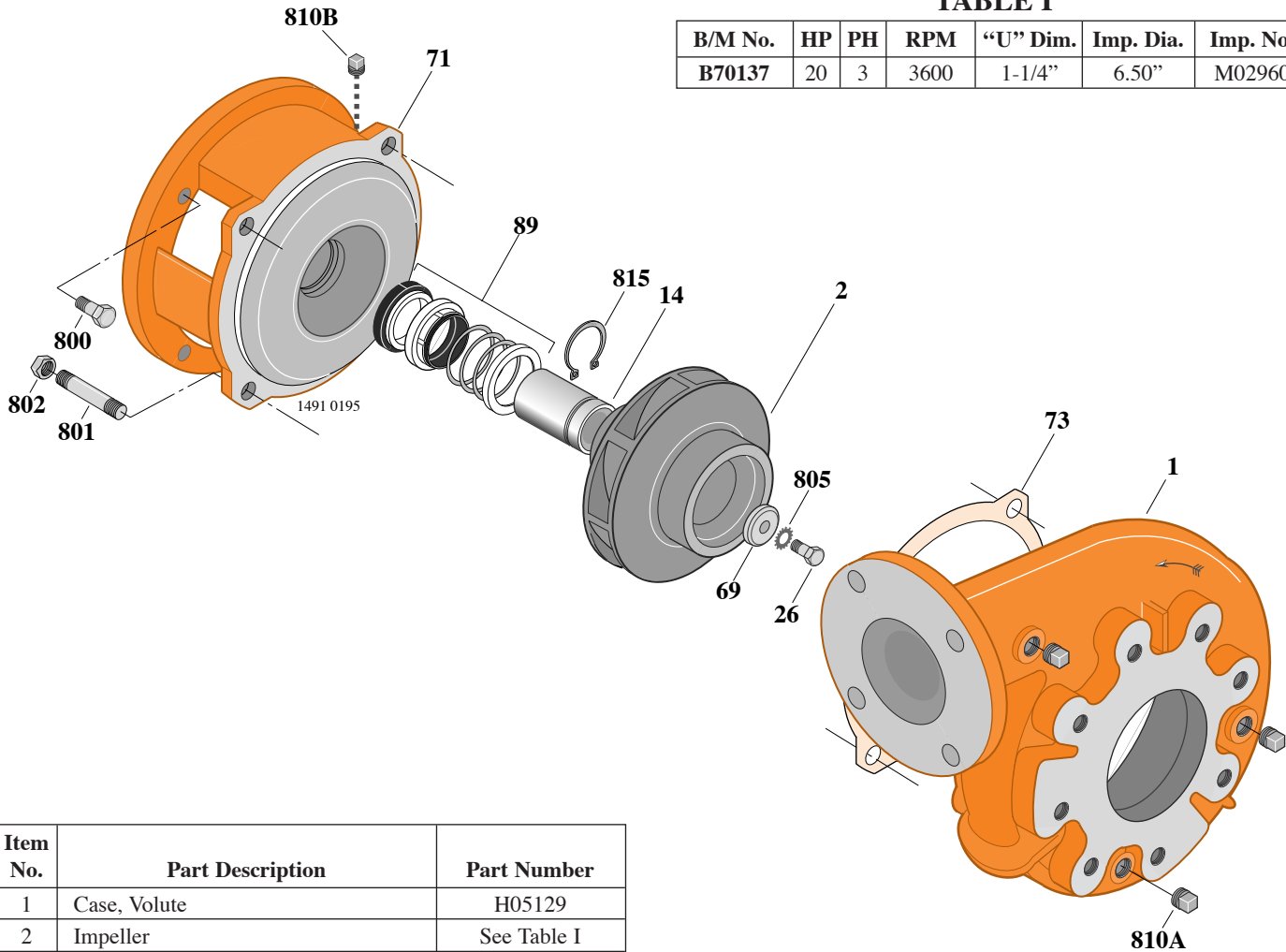
B3TPMS

Flanged Case

Mechanical Shaft Seal Construction

TABLE I

B/M No.	HP	PH	RPM	"U" Dim.	Imp. Dia.	Imp. No.
B70137	20	3	3600	1-1/4"	6.50"	M02960



Item No.	Part Description	Part Number
1	Case, Volute	H05129
2	Impeller	See Table I
14	Sleeve, Shaft	S18869
26	Screw, Impeller 1/2 - 13 x 1"	S23619
32	Key, 1/4 x 2-1/4" (See Note)	S23677
69	Washer, Impeller	S06319
71	Bracket	See Table II
73	Gasket, Volute	S04757
89	Seal, Mechanical Shaft	S32015
800	Capscrew, 1/2 - 13 x 1" (4 Req.)	S26912
801	Stud, 1/2 - 13 x 1-1/2" (4 Req.)	S24043
802	Nut, 1/2 - 13 (4 Req.)	S23107
805	Washer, Lock	S23038
810	Plug, Pipe (5 Req.)	S23715
815	Ring, Retaining	S16767

TABLE II

HP	PH	Bracket No.	"AK" Fit	"U" Dim.	Motor Frame
20	3	L05779	8-1/2"	1-1/4"	254JM

NOTE: For an explanation of the tabulated material found on this page and for impeller key location, refer to *Supplement A* located at the beginning of this section.



TYPE "B" SINGLE STAGE CENTRIFUGAL PUMP Electric Motor Drive

Section	CC
Page	160.11
Date	January 1, 2004
Supersedes 6/1/95	

BRONZE IMPELLER

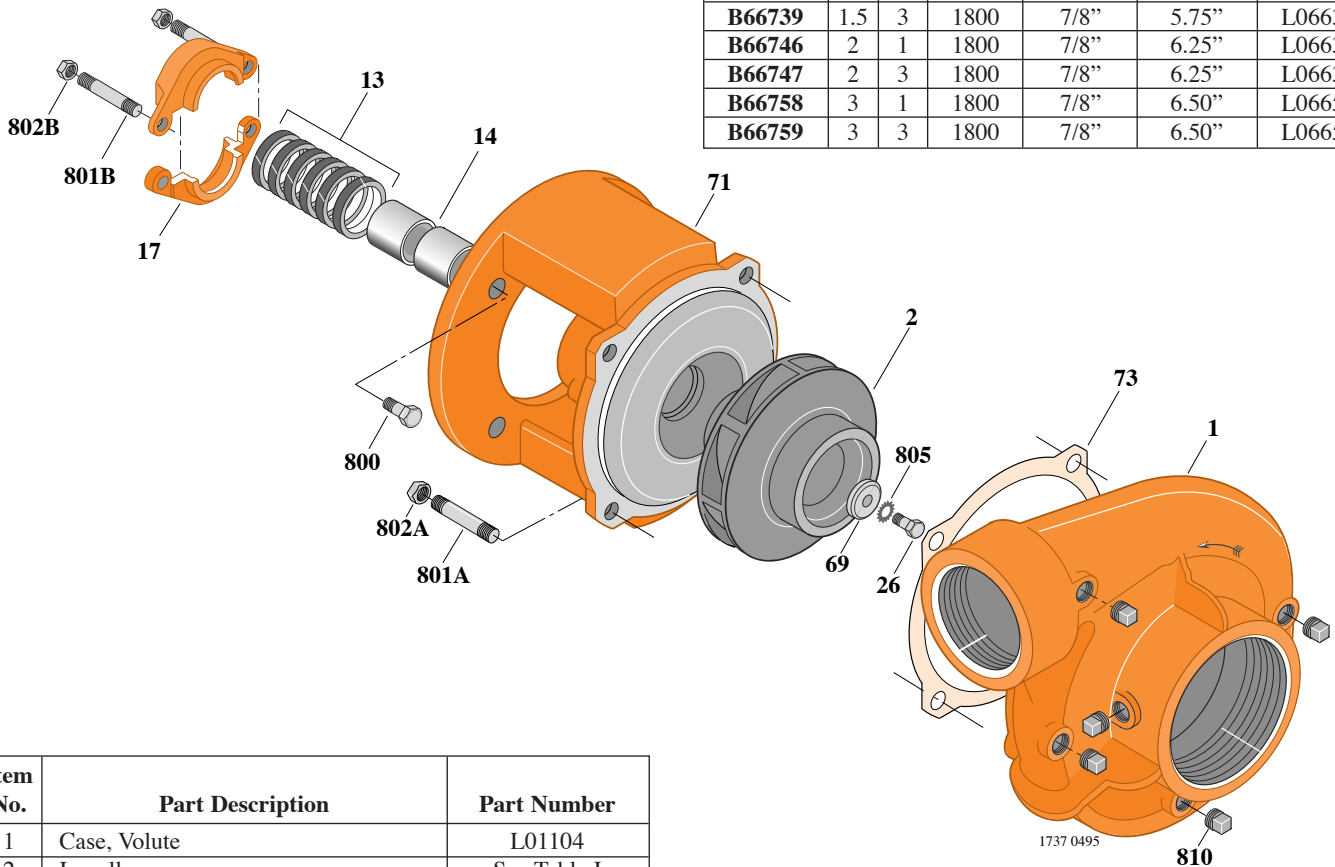
B3TPM

Threaded Case (NPT)

Packing Construction

TABLE I

B/M No.	HP	PH	RPM	"U" Dim.	Imp. Dia.	Imp. No.
B66730	1	1	1800	7/8"	5.12"	L06634
B66731	1	3	1800	7/8"	5.12"	L06634
B66738	1.5	1	1800	7/8"	5.75"	L06635
B66739	1.5	3	1800	7/8"	5.75"	L06635
B66746	2	1	1800	7/8"	6.25"	L06636
B66747	2	3	1800	7/8"	6.25"	L06636
B66758	3	1	1800	7/8"	6.50"	L06657
B66759	3	3	1800	7/8"	6.50"	L06657



Item No.	Part Description	Part Number
1	Case, Volute	L01104
2	Impeller	See Table I
13	Rings, Packing (Set of 6)	S13469
14	Sleeve, Shaft (2 Req.)	S00619
17	Gland, Packing	B82469
26	Screw, Impeller 3/8 - 16 x 1"	S23566
32	Key, 3/16 x 1-1/4" (See Note)	S34383
69	Washer, Impeller	S06314
71	Bracket	See Table II
73	Gasket, Volute	S04757
800	Capscrew, 3/8 - 16 x 7/8" (4 Req.)	S26825
801A	Stud, 1/2 - 13 x 1-1/2" (4 Req.)	S24043
801B	Stud, 3/8 - 16 x 4" (2 Req.)	S08303
802A	Nut, Hex 1/2 - 13 (4 Req.)	S23107
802B	Nut, Hex 3/8 - 16 (2 Req.)	S23343
805	Washer, Lock	S23036
810	Plug, Pipe 1/4 NPT (5 Req.)	S23715

TABLE II

HP	PH	Bracket No.	"AK" Fit	"U" Dim.	Motor Frame
1	1	L01525	4-1/2"	7/8"	143JP
1	3	L01525	4-1/2"	7/8"	143JP
1.5	1	L01525	4-1/2"	7/8"	145JP
1.5	3	L01525	4-1/2"	7/8"	145JP
2	1	L01525	4-1/2"	7/8"	182JP
2	3	L01525	4-1/2"	7/8"	145JP
3	1	L01525	4-1/2"	7/8"	184JP
3	3	L01525	4-1/2"	7/8"	182JP

NOTE: For an explanation of the tabulated material found on this page and for impeller key location, refer to *Supplement A* located at the beginning of this section.



TYPE "B" SINGLE STAGE CENTRIFUGAL PUMP Electric Motor Drive

Section	CC
Page	160.12
Date	January 1, 2004
Supersedes 6/1/95	

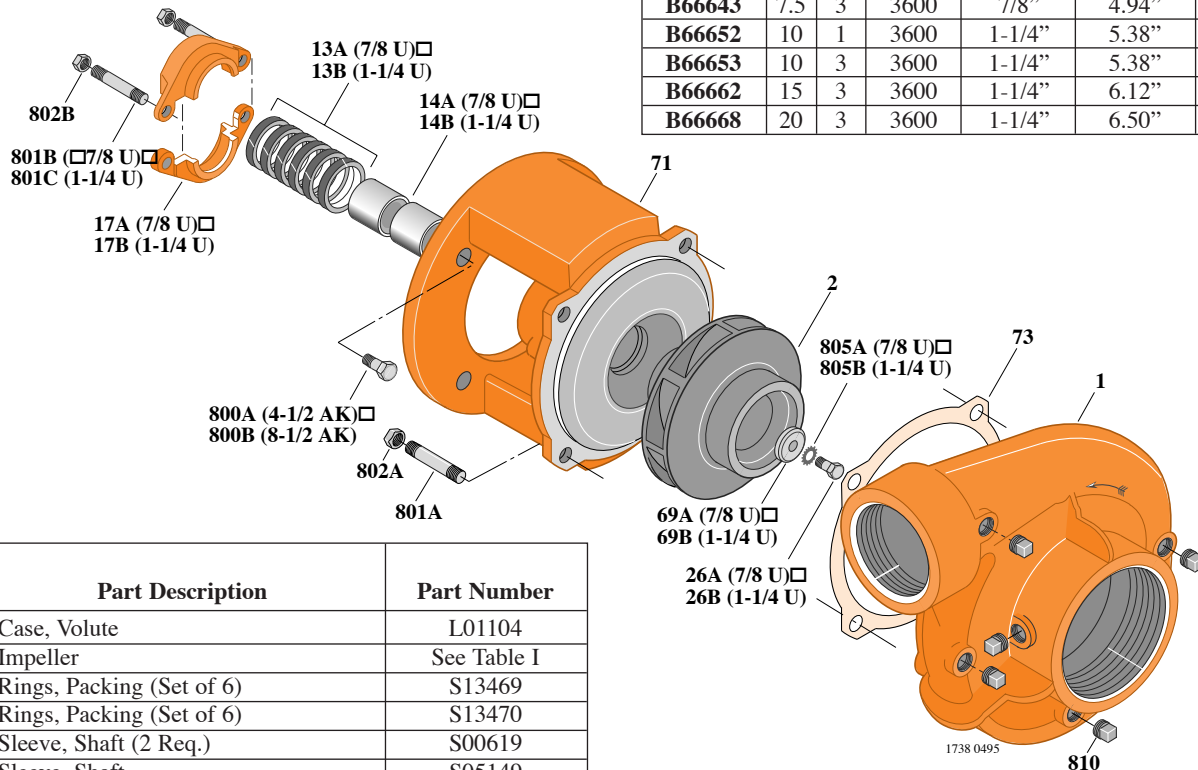
BRONZE IMPELLERB3TPM

Threaded Case (NPT)

Packing Construction

TABLE I

B/M No.	HP	PH	RPM	"U" Dim.	Imp. Dia.	Imp. No.
B66642	7.5	1	3600	1-1/4"	4.94"	L06630
B66643	7.5	3	3600	7/8"	4.94"	L06633
B66652	10	1	3600	1-1/4"	5.38"	L06631
B66653	10	3	3600	1-1/4"	5.38"	L06631
B66662	15	3	3600	1-1/4"	6.12"	L06643
B66668	20	3	3600	1-1/4"	6.50"	L06658



Item No.	Part Description	Part Number
1	Case, Volute	L01104
2	Impeller	See Table I
13A	Rings, Packing (Set of 6)	S13469
13B	Rings, Packing (Set of 6)	S13470
14A	Sleeve, Shaft (2 Req.)	S00619
14B	Sleeve, Shaft	S05149
17A	Gland, Packing	B82469
17B	Gland, Packing	B82470
26A	Screw, Impeller 3/8 - 16 x 1"	S23566
26B	Screw, Impeller 1/2 - 13 x 1"	S23619
32A	Key, 3/16 x 1-1/4" (See Note)	S34383
32B	Key, 1/4 x 2-1/4" (See Note)	S23677
69A	Washer, Impeller	S06314
69B	Washer, Impeller	S06319
71	Bracket	See Table II
73	Gasket, Volute	S04757
800A	Capscrew, 3/8 - 16 x 7/8" (4 Req.)	S26825
800B	Capscrew, 1/2 - 13 x 1" (4 Req.)	S26912
801A	Stud, 1/2 - 13 x 1-1/2" (4 Req.)	S24043
801B	Stud, 3/8 - 16 x 4" (2 Req.)	S08303
801C	Stud, 3/8 - 16 x 3-1/2" (2 Req.)	S04441
802A	Nut, Hex 1/2 - 13 (4 Req.)	S23107
802B	Nut, Hex 3/8 - 16 (2 Req.)	S23343
805A	Washer, Lock	S23036
805B	Washer, Lock	S23038
810	Plug, Pipe 1/4 NPT (5 Req.)	S23715

TABLE II

HP	PH	Bracket No.	"AK" Fit	"U" Dim.	Motor Frame
7.5	1	L01951	8-1/2"	1-1/4"	213JP
7.5	3	L01525	4-1/2"	7/8"	184JP
10	1	L01951	8-1/2"	1-1/4"	215JP
10	3	L01951	8-1/2"	1-1/4"	213JP
15	3	L01951	8-1/2"	1-1/4"	215JP
20	3	L01951	8-1/2"	1-1/4"	254JP

NOTE: For an explanation of the tabulated material found on this page and for impeller key location, refer to *Supplement A* located at the beginning of this section.



TYPE "B" SINGLE STAGE CENTRIFUGAL PUMP Electric Motor Drive

Section	CC
Page	160.13
Date	May 15, 2009
Supersedes 1/1/04	

BRONZE IMPELLER

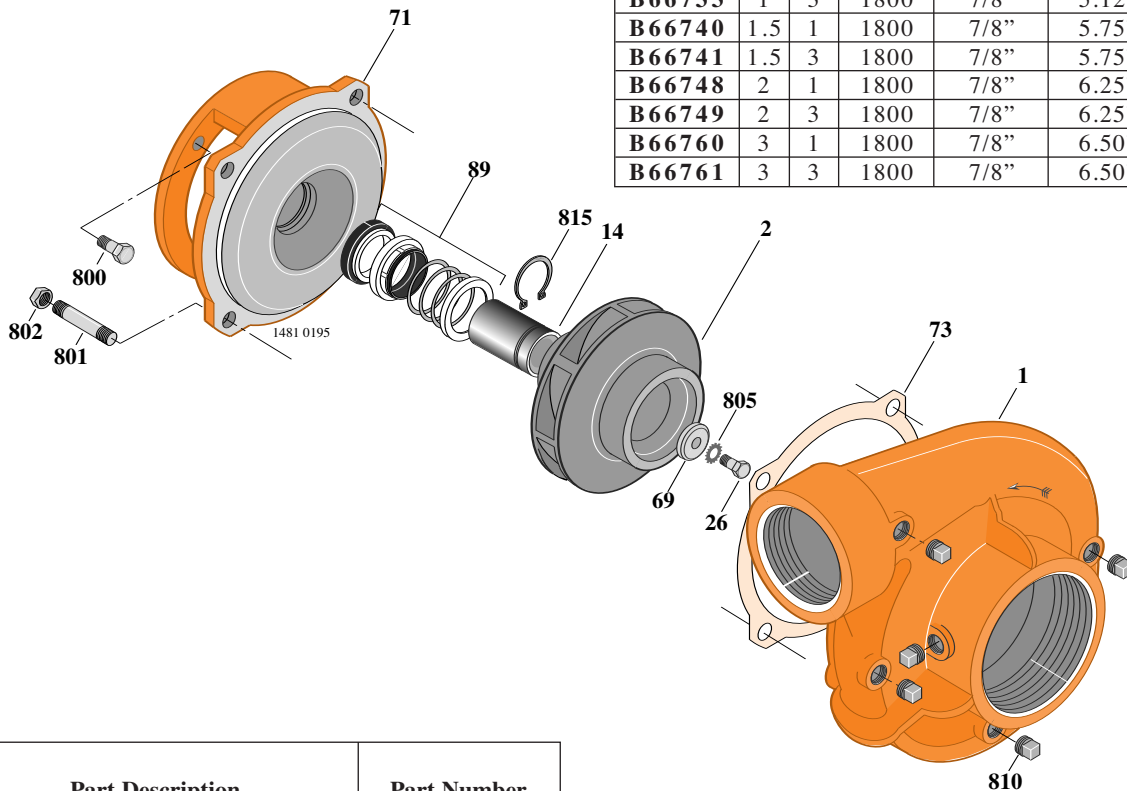
B3TPMS

Threaded Case (NPT)

Mechanical Shaft Seal Construction

TABLE I

B/M No.	HP	PH	RPM	"U" Dim.	Imp. Dia.	Imp. No.
B66732	1	1	1800	7/8"	5.12"	L06634
B66733	1	3	1800	7/8"	5.12"	L06634
B66740	1.5	1	1800	7/8"	5.75"	L06635
B66741	1.5	3	1800	7/8"	5.75"	L06635
B66748	2	1	1800	7/8"	6.25"	L06636
B66749	2	3	1800	7/8"	6.25"	L06636
B66760	3	1	1800	7/8"	6.50"	L06657
B66761	3	3	1800	7/8"	6.50"	L06657



Item No.	Part Description	Part Number
1	Case, Volute	L01104
2	Impeller	See Table I
14	Sleeve, Shaft (See Note 2)	S19310L
26	Screw, Impeller 3/8 - 16 x 1"	S23566
32	Key, 3/16 x 1-1/4" (See Note 1)	S34383
69	Washer, Impeller	S06314
71	Bracket	See Table II
73	Gasket, Volute	S04757
89	Seal, Mechanical Shaft	S32014
800	Capscrew, 3/8 - 16 x 1" (4 Req.) (For 4-1/2 AK)	S26826
801	Stud, 1/2 - 13 x 1-1/2" (4 Req.)	S24043
802	Nut, 1/2 - 13 (4 Req.)	S23107
805	Washer, Lock	S23036
810	Plug, Pipe 1/4 NPT (5 Req.)	S23715
815	Ring, Retaining	S11207

TABLE II

HP	PH	Bracket No.	"AK" Fit	"U" Dim.	Motor Frame
1	1	L05329	4-1/2"	7/8"	143JM
1	3	L05329	4-1/2"	7/8"	143JM
1.5	1	L05329	4-1/2"	7/8"	145JM
1.5	3	L05329	4-1/2"	7/8"	145JM
2	1	L05329	4-1/2"	7/8"	182JM
2	3	L05329	4-1/2"	7/8"	145JM
3	1	L05329	4-1/2"	7/8"	184JM
3	3	L05329	4-1/2"	7/8"	182JM

NOTE 1: For an explanation of the tabulated material found on this page and for impeller key location, refer to *Supplement A* located at the beginning of this section.

NOTE 2: Sleeve replacement kit available. Berkeley part number B85681 includes the shaft sleeve, adhesive compound and instruction sheet.



TYPE "B" SINGLE STAGE CENTRIFUGAL PUMP Electric Motor Drive

Section	CC
Page	160.14
Date	May 15, 2009
Supersedes 1/1/04	

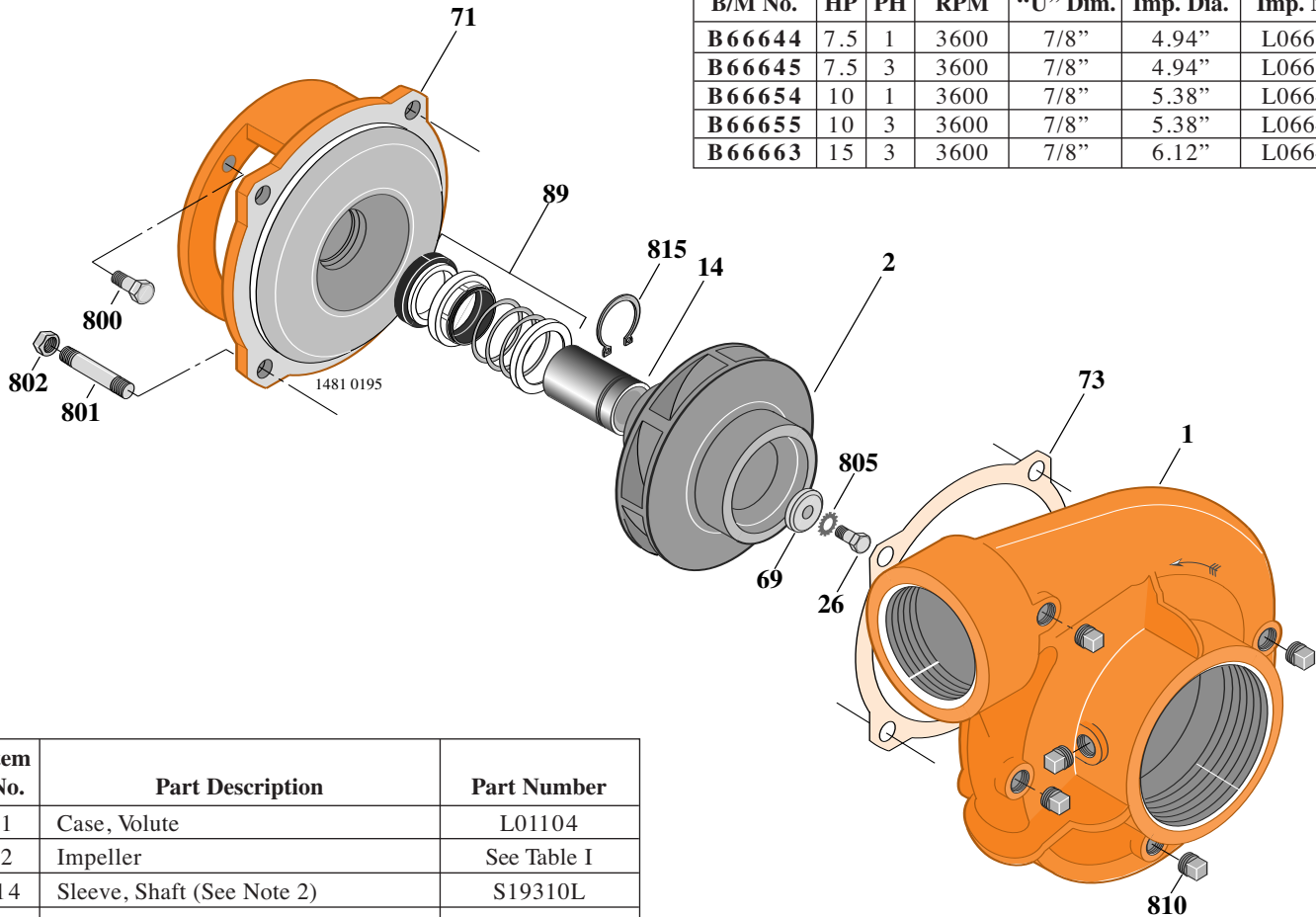
BRONZE IMPELLER B3TPMS

Threaded Case (NPT)

Mechanical Shaft Seal Construction

TABLE I

B/M No.	HP	PH	RPM	"U" Dim.	Imp. Dia.	Imp. No.
B 66644	7.5	1	3600	7/8"	4.94"	L06633
B 66645	7.5	3	3600	7/8"	4.94"	L06633
B 66654	10	1	3600	7/8"	5.38"	L06642
B 66655	10	3	3600	7/8"	5.38"	L06642
B 66663	15	3	3600	7/8"	6.12"	L06643



Item No.	Part Description	Part Number
1	Case, Volute	L01104
2	Impeller	See Table I
14	Sleeve, Shaft (See Note 2)	S19310L
26	Screw, Impeller 3/8 - 16 x 1"	S23566
32	Key, 3/16 x 1-1/4" (See Note 1)	S34383
69	Washer, Impeller	S06314
71	Bracket	See Table II
73	Gasket, Volute	S04757
89	Seal, Mechanical Shaft	S32014
800	Capscrew, 3/8 - 16 x 1" (4 Req.) (For 4-1/2 AK)	S26826
800	Capscrew, 1/2 - 13 x 1" (4 Req.) (For 8-1/2 AK)	S26912
801	Stud, 1/2 - 13 x 1-1/2" (4 Req.)	S24043
802	Nut, 1/2 - 13 (4 Req.)	S23107
805	Washer, Lock	S23036
810	Plug, Pipe 1/4 NPT (5 Req.)	S23715
815	Ring, Retaining	S11207

TABLE II

HP	PH	Bracket No.	"AK" Fit	"U" Dim.	Motor Frame
7.5	1	L05328	8-1/2"	7/8"	213JM
7.5	3	L05329	4-1/2"	7/8"	184JM
10	1	L05328	8-1/2"	7/8"	215JM
10	3	L05328	8-1/2"	7/8"	213JM
15	3	L05328	8-1/2"	7/8"	215JM

NOTE 1: For an explanation of the tabulated material found on this page and for impeller key location, refer to *Supplement A* located at the beginning of this section.

NOTE 2: Sleeve replacement kit available. Berkeley part number B85681 includes the shaft sleeve, adhesive compound and instruction sheet.



TYPE "B" SINGLE STAGE CENTRIFUGAL PUMP Electric Motor Drive

Section	CC
Page	160.15
Date	January 1, 2004
Supersedes 6/1/95	

BRONZE IMPELLER

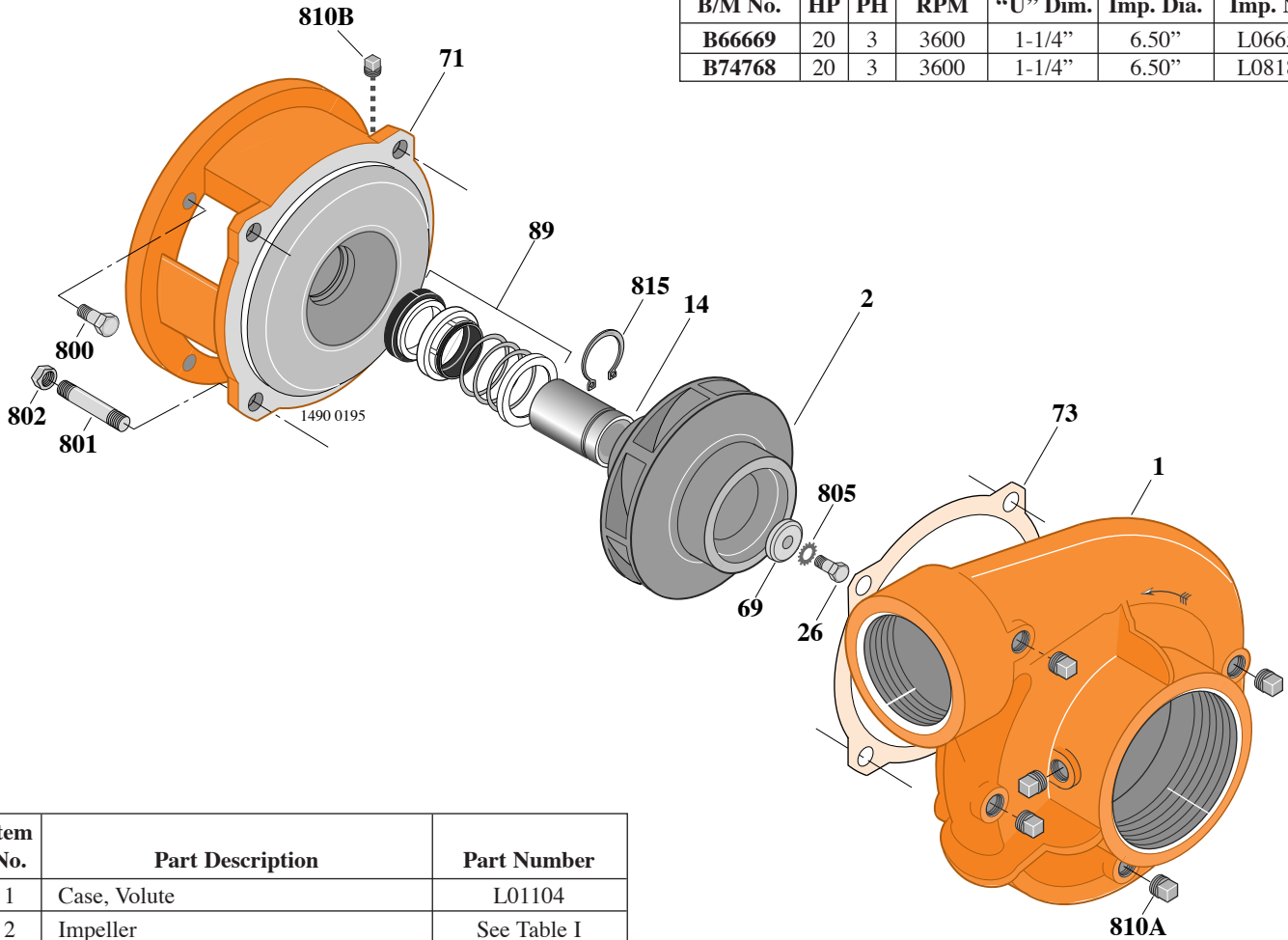
B3TPMS

Threaded Case (NPT)

Mechanical Shaft Seal Construction

TABLE I

B/M No.	HP	PH	RPM	"U" Dim.	Imp. Dia.	Imp. No.
B66669	20	3	3600	1-1/4"	6.50"	L06658
B74768	20	3	3600	1-1/4"	6.50"	L08187



Item No.	Part Description	Part Number
1	Case, Volute	L01104
2	Impeller	See Table I
14	Sleeve, Shaft	S18869
26	Screw, Impeller 1/2 - 13 x 1"	S23619
32	Key, 1/4 x 2-1/4" (See Note)	S23677
69	Washer, Impeller	S06319
71	Bracket	See Table II
73	Gasket, Volute	S04757
89	Seal, Mechanical Shaft	S32015
800	Capscrew, 1/2 - 13 x 1" (4 Req.)	S26912
801	Stud, 1/2 - 13 x 1-1/2" (4 Req.)	S24043
802	Nut, 1/2 - 13 (4 Req.)	S23107
805	Washer, Lock	S23038
810	Plug, Pipe (5 Req.)	S23715
815	Ring, Retaining	S16767

TABLE II

HP	PH	Bracket No.	"AK" Fit	"U" Dim.	Motor Frame
20	3	L05779	8-1/2"	1-1/4"	254JM

NOTE: For an explanation of the tabulated material found on this page and for impeller key location, refer to *Supplement A* located at the beginning of this section.



TYPE "B" SINGLE STAGE CENTRIFUGAL PUMP Electric Motor Drive

Section	CC
Page	160.17
Date	January 1, 2004
Supersedes 9/1/97	

SILICON BRONZE IMPELLER

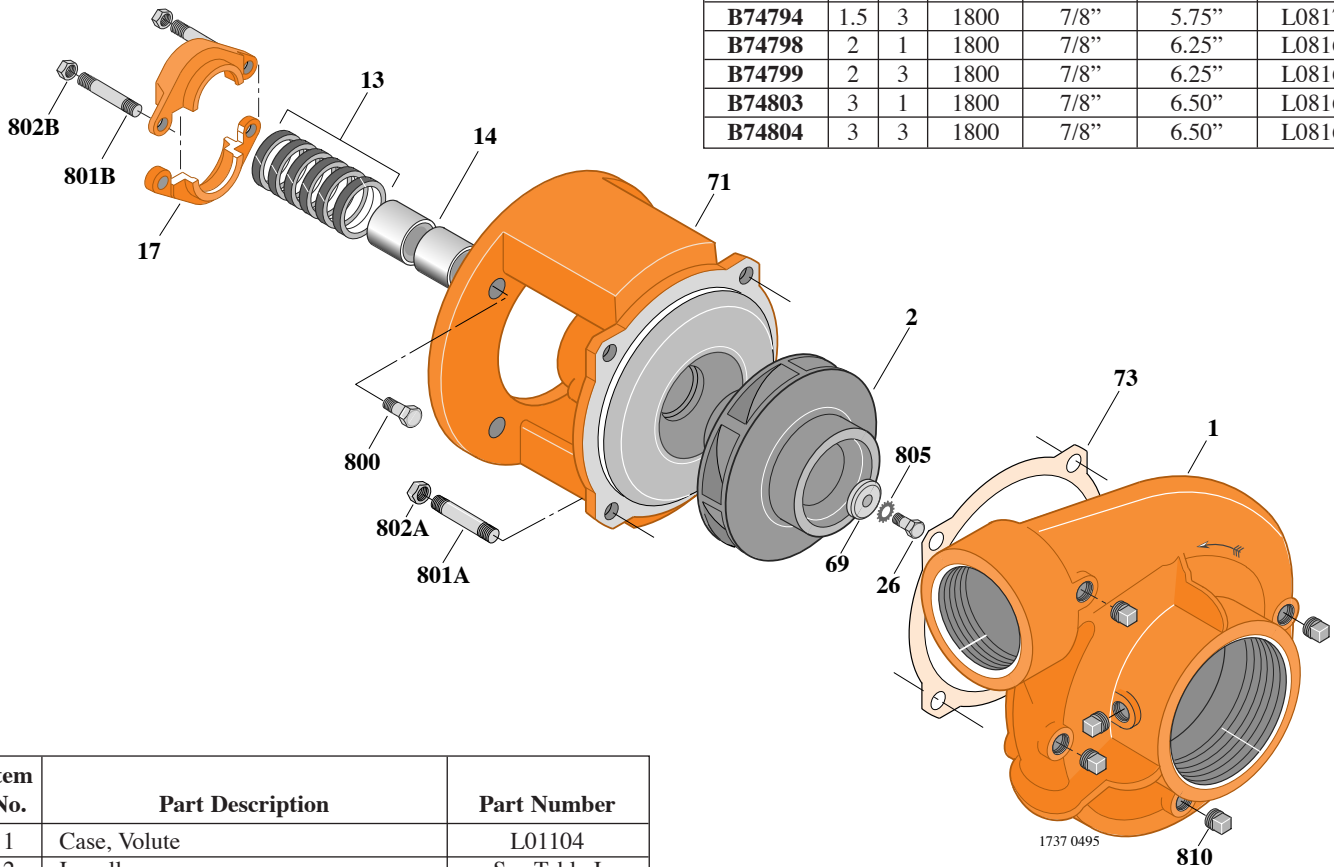
B3TPM

Threaded Case (NPT)

Packing Construction

TABLE I

B/M No.	HP	PH	RPM	"U" Dim.	Imp. Dia.	Imp. No.
B74788	1	1	1800	7/8"	5.12"	L08174
B74789	1	3	1800	7/8"	5.12"	L08174
B74793	1.5	1	1800	7/8"	5.75"	L08172
B74794	1.5	3	1800	7/8"	5.75"	L08172
B74798	2	1	1800	7/8"	6.25"	L08168
B74799	2	3	1800	7/8"	6.25"	L08168
B74803	3	1	1800	7/8"	6.50"	L08169
B74804	3	3	1800	7/8"	6.50"	L08169



Item No.	Part Description	Part Number
1	Case, Volute	L01104
2	Impeller	See Table I
13	Rings, Packing (Set of 6)	S13469
14	Sleeve, Shaft (2 Req.)	S00619
17	Gland, Packing	B82469
26	Screw, Impeller 3/8 - 16 x 1"	S23566
32	Key, 3/16 x 1-1/4" (See Note)	S34383
69	Washer, Impeller	S06314
71	Bracket	See Table II
73	Gasket, Volute	S04757
800	Capscrew, 3/8 - 16 x 7/8" (4 Req.)	S26825
801A	Stud, 1/2 - 13 x 1-1/2" (4 Req.)	S24043
801B	Stud, 3/8 - 16 x 4" (2 Req.)	S08303
802A	Nut, Hex 1/2 - 13 (4 Req.)	S23107
802B	Nut, Hex 3/8 - 16 (2 Req.)	S23343
805	Washer, Lock	S23036
810	Plug, Pipe 1/4" NPT (5 Req.)	S23715

TABLE II

HP	PH	Bracket No.	"AK" Fit	"U" Dim.	Motor Frame
1	1	L01525	4-1/2"	7/8"	143JP
1	3	L01525	4-1/2"	7/8"	143JP
1.5	1	L01525	4-1/2"	7/8"	145JP
1.5	3	L01525	4-1/2"	7/8"	145JP
2	1	L01525	4-1/2"	7/8"	182JP
2	3	L01525	4-1/2"	7/8"	145JP
3	1	L01525	4-1/2"	7/8"	184JP
3	3	L01525	4-1/2"	7/8"	182JP

NOTE: For an explanation of the tabulated material found on this page and for impeller key location, refer to *Supplement A* located at the beginning of this section.



TYPE "B" SINGLE STAGE CENTRIFUGAL PUMP Electric Motor Drive

Section	CC
Page	160.18
Date	January 1, 2004
Supersedes 9/1/97	

SILICON BRONZE IMPELLER

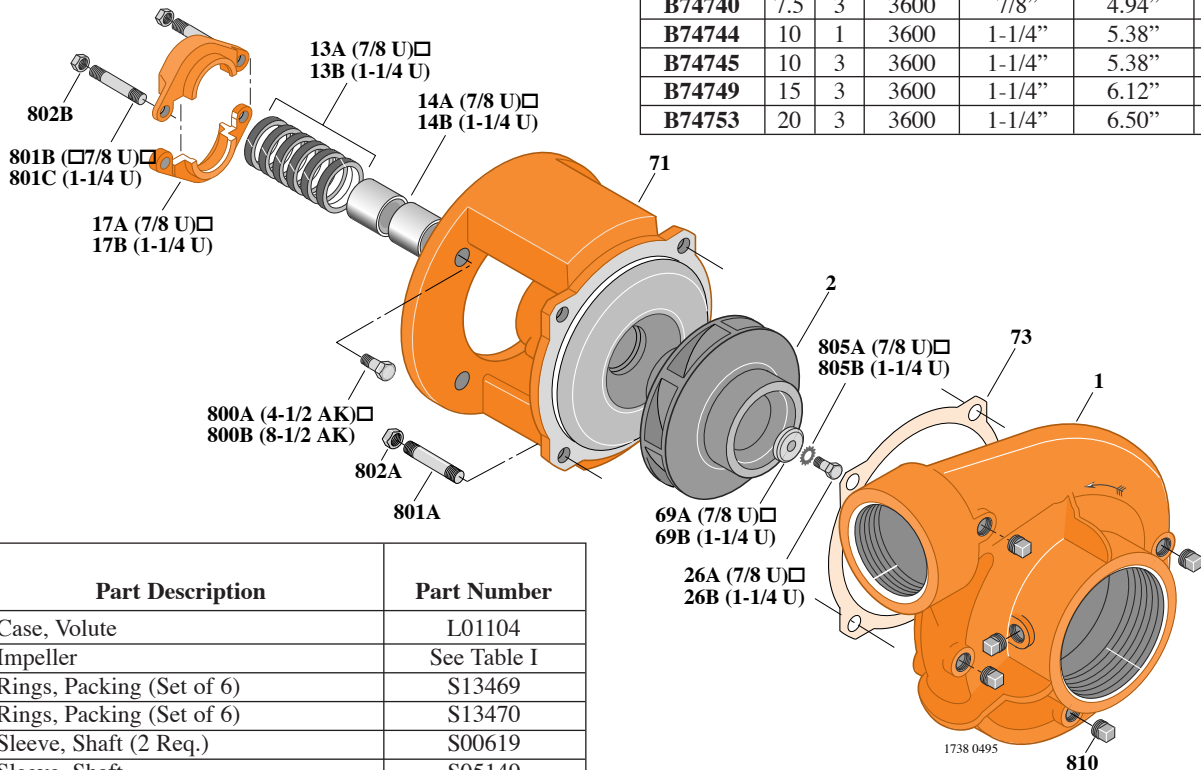
B3TPM

Threaded Case (NPT)

Packing Construction

TABLE I

B/M No.	HP	PH	RPM	"U" Dim.	Imp. Dia.	Imp. No.
B74736	7.5	1	3600	1-1/4"	4.94"	L08183
B74740	7.5	3	3600	7/8"	4.94"	L08175
B74744	10	1	3600	1-1/4"	5.38"	L08184
B74745	10	3	3600	1-1/4"	5.38"	L08184
B74749	15	3	3600	1-1/4"	6.12"	L08186
B74753	20	3	3600	1-1/4"	6.50"	L08187



Item No.	Part Description	Part Number
1	Case, Volute	L01104
2	Impeller	See Table I
13A	Rings, Packing (Set of 6)	S13469
13B	Rings, Packing (Set of 6)	S13470
14A	Sleeve, Shaft (2 Req.)	S00619
14B	Sleeve, Shaft	S05149
17A	Gland, Packing	B82469
17B	Gland, Packing	B82470
26A	Screw, Impeller 3/8 - 16 x 1"	S23566
26B	Screw, Impeller 1/2 - 13 x 1"	S23619
32A	Key, 3/16 x 1-1/4" (See Note)	S34383
32B	Key, 1/4 x 2-1/4" (See Note)	S23677
69A	Washer, Impeller	S06314
69B	Washer, Impeller	S06319
71	Bracket	See Table II
73	Gasket, Volute	S04757
800A	Capscrew, 3/8 - 16 x 7/8" (4 Req.)	S26825
800B	Capscrew, 1/2 - 13 x 1" (4 Req.)	S26912
801A	Stud, 1/2 - 13 x 1-1/2" (4 Req.)	S24043
801B	Stud, 3/8 - 16 x 4" (2 Req.)	S08303
801C	Stud, 3/8 - 16 x 3-1/2" (2 Req.)	S04441
802A	Nut, Hex 1/2 - 13 (4 Req.)	S23107
802B	Nut, Hex 3/8 - 16 (2 Req.)	S23343
805A	Washer, Lock	S23036
805B	Washer, Lock	S23038
810	Plug, Pipe 1/4" NPT (5 Req.)	S23715

TABLE II

HP	PH	Bracket No.	"AK" Fit	"U" Dim.	Motor Frame
7.5	1	L01951	8-1/2"	1-1/4"	213JP
7.5	3	L01525	4-1/2"	7/8"	184JP
10	1	L01951	8-1/2"	1-1/4"	215JP
10	3	L01951	8-1/2"	1-1/4"	213JP
15	3	L01951	8-1/2"	1-1/4"	215JP
20	3	L01951	8-1/2"	1-1/4"	254JP

NOTE: For an explanation of the tabulated material found on this page and for impeller key location, refer to *Supplement A* located at the beginning of this section.



TYPE "B" SINGLE STAGE CENTRIFUGAL PUMP Electric Motor Drive

Section	CC
Page	160.19
Date	January 1, 2004
Supersedes 9/1/97	

SILICON BRONZE IMPELLER

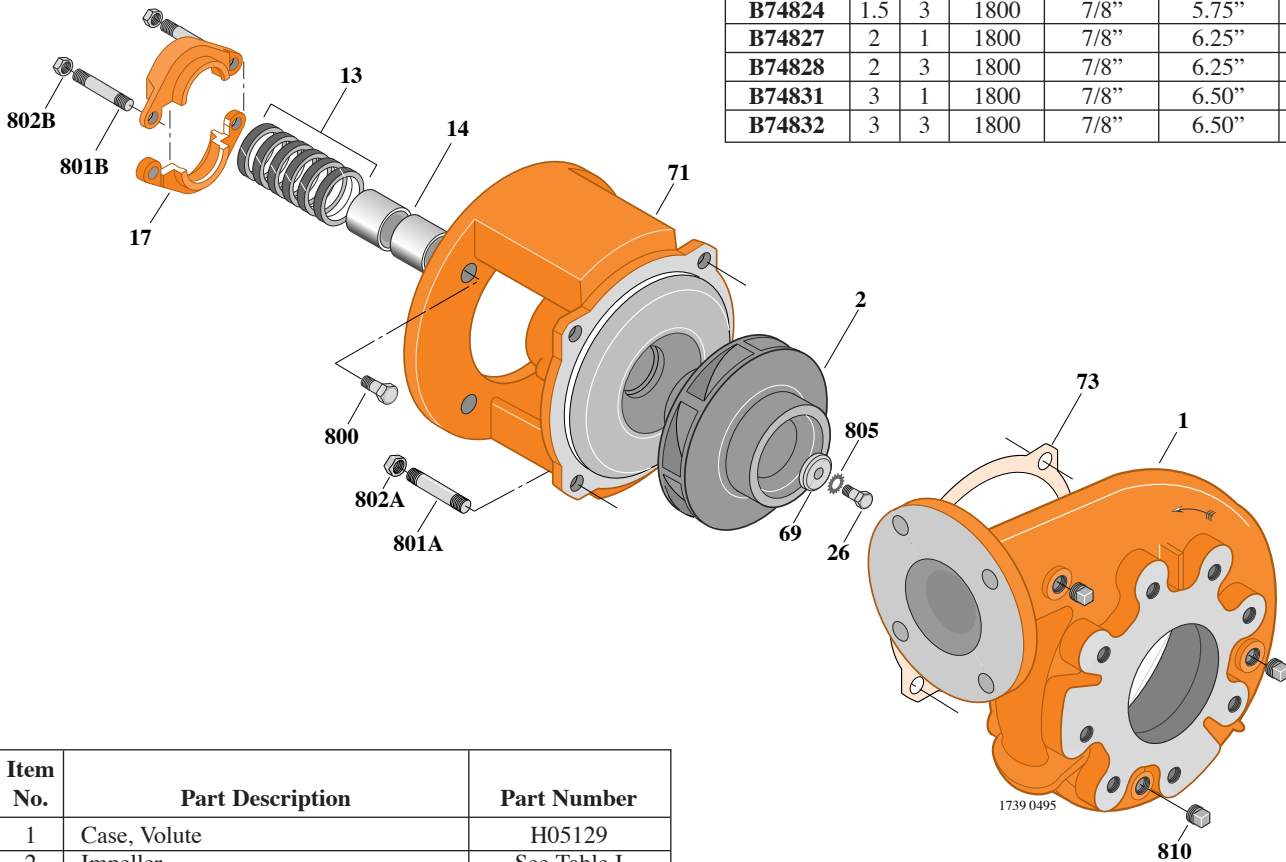
B3TPM

Flanged Case

Packing Construction

TABLE I

B/M No.	HP	PH	RPM	"U" Dim.	Imp. Dia.	Imp. No.
B74819	1	1	1800	7/8"	5.12"	L08174
B74820	1	3	1800	7/8"	5.12"	L08174
B74823	1.5	1	1800	7/8"	5.75"	L08172
B74824	1.5	3	1800	7/8"	5.75"	L08172
B74827	2	1	1800	7/8"	6.25"	L08168
B74828	2	3	1800	7/8"	6.25"	L08168
B74831	3	1	1800	7/8"	6.50"	L08169
B74832	3	3	1800	7/8"	6.50"	L08169



Item No.	Part Description	Part Number
1	Case, Volute	H05129
2	Impeller	See Table I
13	Rings, Packing (Set of 6)	S13469
14	Sleeve, Shaft (2 Req.)	S00619
17	Gland, Packing	B82469
26	Screw, Impeller 3/8 - 16 x 1"	S23566
32	Key, 3/16 x 1-1/4" (See Note)	S34383
69	Washer, Impeller	S06314
71	Bracket	See Table II
73	Gasket, Volute	S04757
800	Capscrew, 3/8 - 16 x 7/8" (4 Req.)	S26825
801A	Stud, 1/2 - 13 x 1-1/2" (4 Req.)	S24043
801B	Stud, 3/8 - 16 x 4" (2 Req.)	S08303
802A	Nut, Hex 1/2 - 13 (4 Req.)	S23107
802B	Nut, Hex 3/8 - 16 (2 Req.)	S23343
805	Washer, Lock	S23036
810	Plug, Pipe 1/4" NPT (3 Req.)	S23715

TABLE II

HP	PH	Bracket No.	"AK" Fit	"U" Dim.	Motor Frame
1	1	L01525	4-1/2"	7/8"	143JP
1	3	L01525	4-1/2"	7/8"	143JP
1.5	1	L01525	4-1/2"	7/8"	145JP
1.5	3	L01525	4-1/2"	7/8"	145JP
2	1	L01525	4-1/2"	7/8"	182JP
2	3	L01525	4-1/2"	7/8"	145JP
3	1	L01525	4-1/2"	7/8"	184JP
3	3	L01525	4-1/2"	7/8"	182JP

NOTE: For an explanation of the tabulated material found on this page and for impeller key location, refer to *Supplement A* located at the beginning of this section.



TYPE "B" SINGLE STAGE CENTRIFUGAL PUMP Electric Motor Drive

Section	CC
Page	160.20
Date	January 1, 2004
Supersedes 9/1/97	

SILICON BRONZE IMPELLER

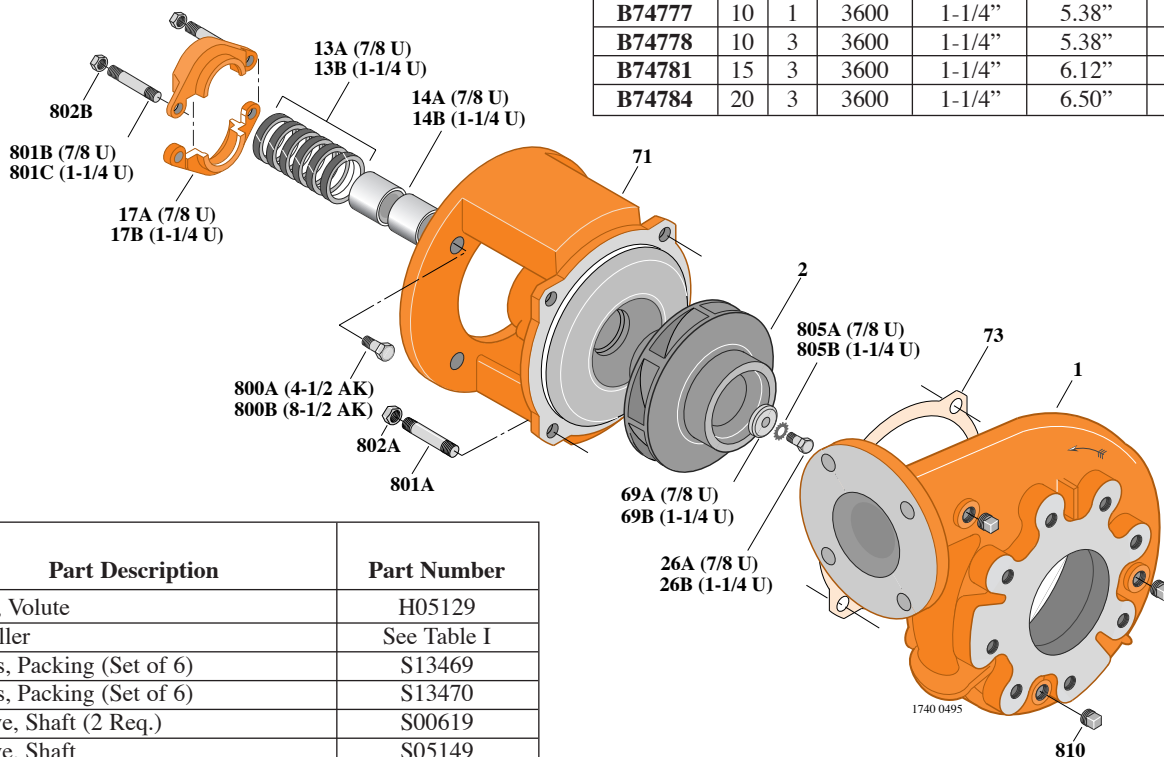
B3TPM

Flanged Case

Packing Construction

TABLE I

B/M No.	HP	PH	RPM	"U" Dim.	Imp. Dia.	Imp. No.
B74771	7.5	1	3600	1-1/4"	4.94"	L08183
B74774	7.5	3	3600	7/8"	4.94"	L08175
B74777	10	1	3600	1-1/4"	5.38"	L08184
B74778	10	3	3600	1-1/4"	5.38"	L08184
B74781	15	3	3600	1-1/4"	6.12"	L08186
B74784	20	3	3600	1-1/4"	6.50"	L08187



Item No.	Part Description	Part Number
1	Case, Volute	H05129
2	Impeller	See Table I
13A	Rings, Packing (Set of 6)	S13469
13B	Rings, Packing (Set of 6)	S13470
14A	Sleeve, Shaft (2 Req.)	S00619
14B	Sleeve, Shaft	S05149
17A	Gland, Packing	B82469
17B	Gland, Packing	B82470
26A	Screw, Impeller 3/8 - 16 x 1"	S23566
26B	Screw, Impeller 1/2 - 13 x 1"	S23619
32A	Key, 3/16 x 1-1/4" (See Note)	S34383
32B	Key, 1/4 x 2-1/4" (See Note)	S23677
69A	Washer, Impeller	S06314
69B	Washer, Impeller	S06319
71	Bracket	See Table II
73	Gasket, Volute	S04757
800A	Capscrew, 3/8 - 16 x 7/8" (4 Req.)	S26825
800B	Capscrew, 1/2 - 13 x 1" (4 Req.)	S26912
801A	Stud, 1/2 - 13 x 1-1/2" (4 Req.)	S24043
801B	Stud, 3/8 - 16 x 4" (2 Req.)	S08303
801C	Stud, 3/8 - 16 x 3-1/2" (2 Req.)	S04441
802A	Nut, Hex 1/2 - 13 (4 Req.)	S23107
802B	Nut, Hex 3/8 - 16 (2 Req.)	S23343
805A	Washer, Lock	S23036
805B	Washer, Lock	S23038
810	Plug, Pipe 1/4" NPT (3 Req.)	S23715

TABLE II

HP	PH	Bracket No.	"AK" Fit	"U" Dim.	Motor Frame
7.5	1	L01951	8-1/2"	1-1/4"	213JP
7.5	3	L01525	4-1/2"	7/8"	184JP
10	1	L01951	8-1/2"	1-1/4"	215JP
10	3	L01951	8-1/2"	1-1/4"	213JP
15	3	L01951	8-1/2"	1-1/4"	215JP
20	3	L01951	8-1/2"	1-1/4"	254JP

NOTE: For an explanation of the tabulated material found on this page and for impeller key location, refer to *Supplement A* located at the beginning of this section.



TYPE "B" SINGLE STAGE CENTRIFUGAL PUMP Electric Motor Drive

Section	CC
Page	160.21
Date	May 15, 2009
Supersedes 1/1/04	

SILICON BRONZE IMPELLER

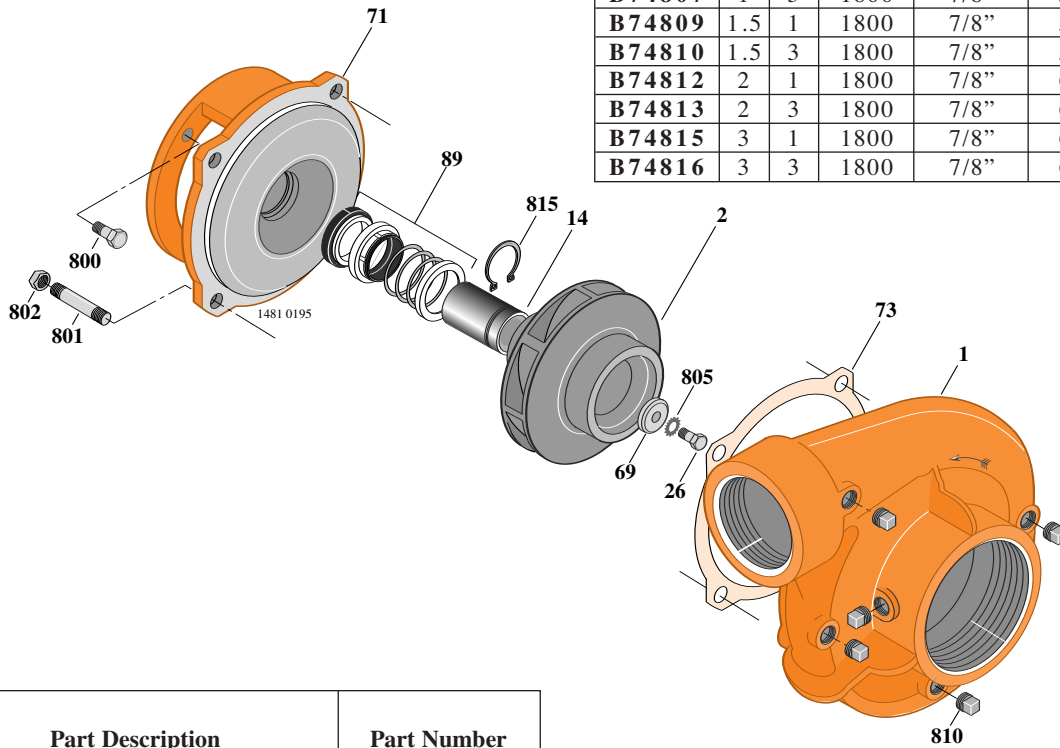
B3TPMS

Threaded Case (NPT)

Mechanical Shaft Seal Construction

TABLE I

B/M No.	HP	PH	RPM	"U" Dim.	Imp. Dia.	Imp. No.
B74806	1	1	1800	7/8"	5.12"	L08174
B74807	1	3	1800	7/8"	5.12"	L08174
B74809	1.5	1	1800	7/8"	5.75"	L08172
B74810	1.5	3	1800	7/8"	5.75"	L08172
B74812	2	1	1800	7/8"	6.25"	L08168
B74813	2	3	1800	7/8"	6.25"	L08168
B74815	3	1	1800	7/8"	6.50"	L08169
B74816	3	3	1800	7/8"	6.50"	L08169



Item No.	Part Description	Part Number
1	Case, Volute	L01104
2	Impeller	See Table I
14	Sleeve, Shaft (See Note 2)	S19310L
26	Screw, Impeller 3/8 - 16 x 1"	S23566
32	Key, 3/16 x 1-1/4" (See Note 1)	S34383
69	Washer, Impeller	S06314
71	Bracket	See Table II
73	Gasket, Volute	S04757
89	Seal, Mechanical Shaft	S32014
800	Capscrew, 3/8 - 16 x 1" (4 Req.)	S26826
801	Stud, 1/2 - 13 x 1-1/2" (4 Req.)	S24043
802	Nut, 1/2 - 13 (4 Req.)	S23107
805	Washer, Lock	S23036
810	Plug, Pipe 1/4" NPT (5 Req.)	S23715
815	Ring, Retaining	S11207
•	Plug, Pipe 1/8" NPT (In Bracket)	S23714

• Not illustrated.

TABLE II

HP	PH	Bracket No.	"AK" Fit	"U" Dim.	Motor Frame
1	1	L05329	4-1/2"	7/8"	143JM
1	3	L05329	4-1/2"	7/8"	143JM
1.5	1	L05329	4-1/2"	7/8"	145JM
1.5	3	L05329	4-1/2"	7/8"	145JM
2	1	L05329	4-1/2"	7/8"	182JM
2	3	L05329	4-1/2"	7/8"	145JM
3	1	L05329	4-1/2"	7/8"	184JM
3	3	L05329	4-1/2"	7/8"	182JM

NOTE 1: For an explanation of the tabulated material found on this page and for impeller key location, refer to *Supplement A* located at the beginning of this section.

NOTE 2: Sleeve replacement kit available. Berkeley part number B85681 includes the shaft sleeve, adhesive compound and instruction sheet.

NOTE 3: For seal flush line details, see *Supplement D*.



TYPE "B" SINGLE STAGE CENTRIFUGAL PUMP Electric Motor Drive

Section	CC
Page	160.22
Date	May 15, 2009
Supersedes 1/1/04	

SILICON BRONZE IMPELLER

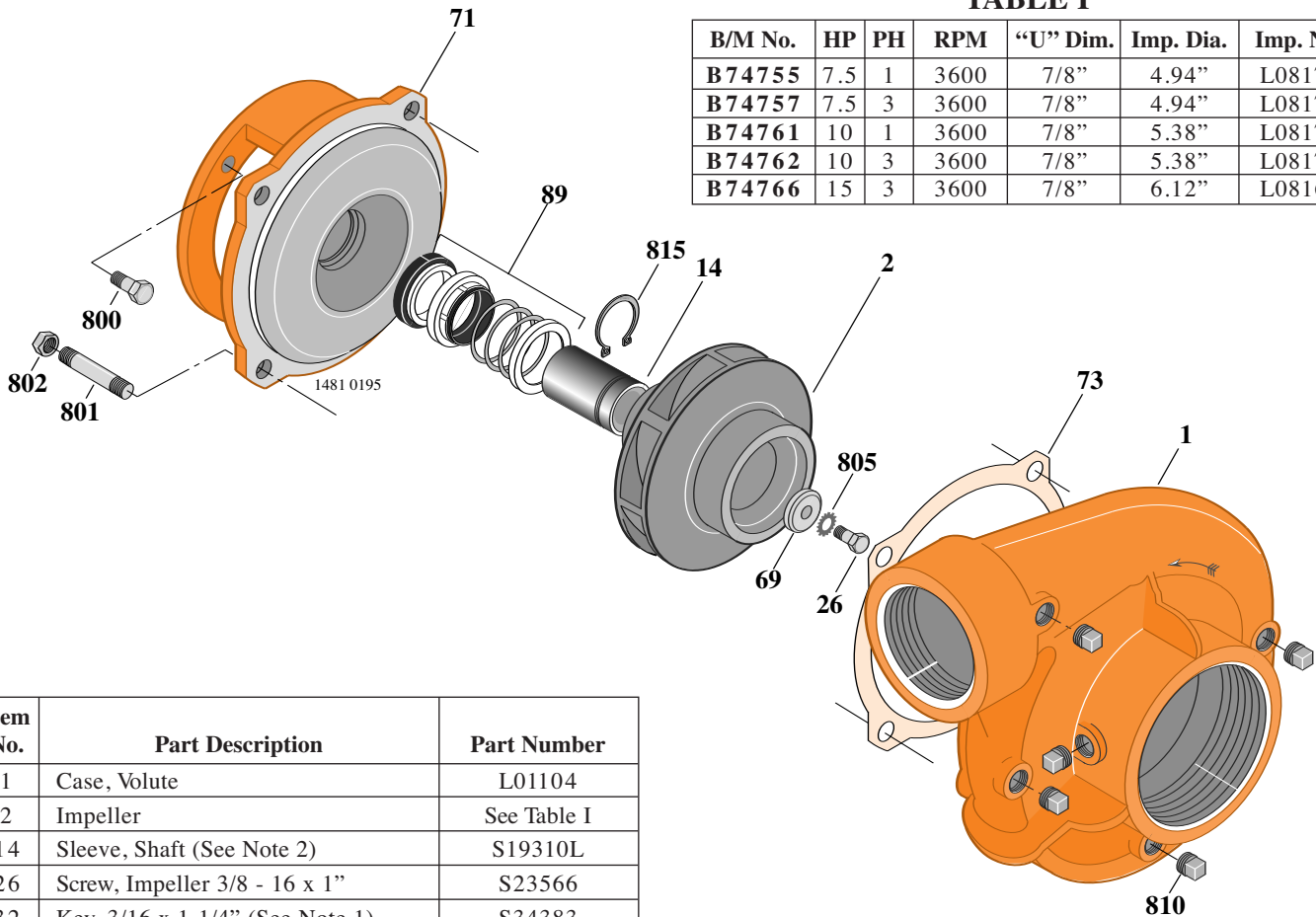
B3TPMS

Threaded Case (NPT)

Mechanical Shaft Seal Construction

TABLE I

B/M No.	HP	PH	RPM	"U" Dim.	Imp. Dia.	Imp. No.
B74755	7.5	1	3600	7/8"	4.94"	L08175
B74757	7.5	3	3600	7/8"	4.94"	L08175
B74761	10	1	3600	7/8"	5.38"	L08173
B74762	10	3	3600	7/8"	5.38"	L08173
B74766	15	3	3600	7/8"	6.12"	L08167



Item No.	Part Description	Part Number
1	Case, Volute	L01104
2	Impeller	See Table I
14	Sleeve, Shaft (See Note 2)	S19310L
26	Screw, Impeller 3/8 - 16 x 1"	S23566
32	Key, 3/16 x 1-1/4" (See Note 1)	S34383
69	Washer, Impeller	S06314
71	Bracket	See Table II
73	Gasket, Volute	S04757
89	Seal, Mechanical Shaft	S32014
800	Capscrew, 3/8 - 16 x 1" (4 Req.) (For 4-1/2 AK)	S26826
800	Capscrew, 1/2 - 13 x 1" (4 Req.) (For 8-1/2 AK)	S26912
801	Stud, 1/2 - 13 x 1-1/2" (4 Req.)	S24043
802	Nut, 1/2 - 13 (4 Req.)	S23107
805	Washer, Lock	S23036
810	Plug, Pipe 1/4" NPT (5 Req.)	S23715
815	Ring, Retaining	S11207
•	Plug, Pipe 1/8" NPT (In Bracket)	S23714

• Not illustrated.

TABLE II

HP	PH	Bracket No.	"AK" Fit	"U" Dim.	Motor Frame
7.5	1	L05328	8-1/2"	7/8"	213JM
7.5	3	L05329	4-1/2"	7/8"	184JM
10	1	L05328	8-1/2"	7/8"	215JM
10	3	L05328	8-1/2"	7/8"	213JM
15	3	L05328	8-1/2"	7/8"	215JM

NOTE 1: For an explanation of the tabulated material found on this page and for impeller key location, refer to *Supplement A* located at the beginning of this section.

NOTE 2: Sleeve replacement kit available. Berkeley part number B85681 includes the shaft sleeve, adhesive compound and instruction sheet.

NOTE 3: For seal flush line details, see *Supplement D*.



TYPE "B" SINGLE STAGE CENTRIFUGAL PUMP Electric Motor Drive

Section	CC
Page	160.23
Date	September 1, 1997
Supersedes/New	

SILICON BRONZE IMPELLER

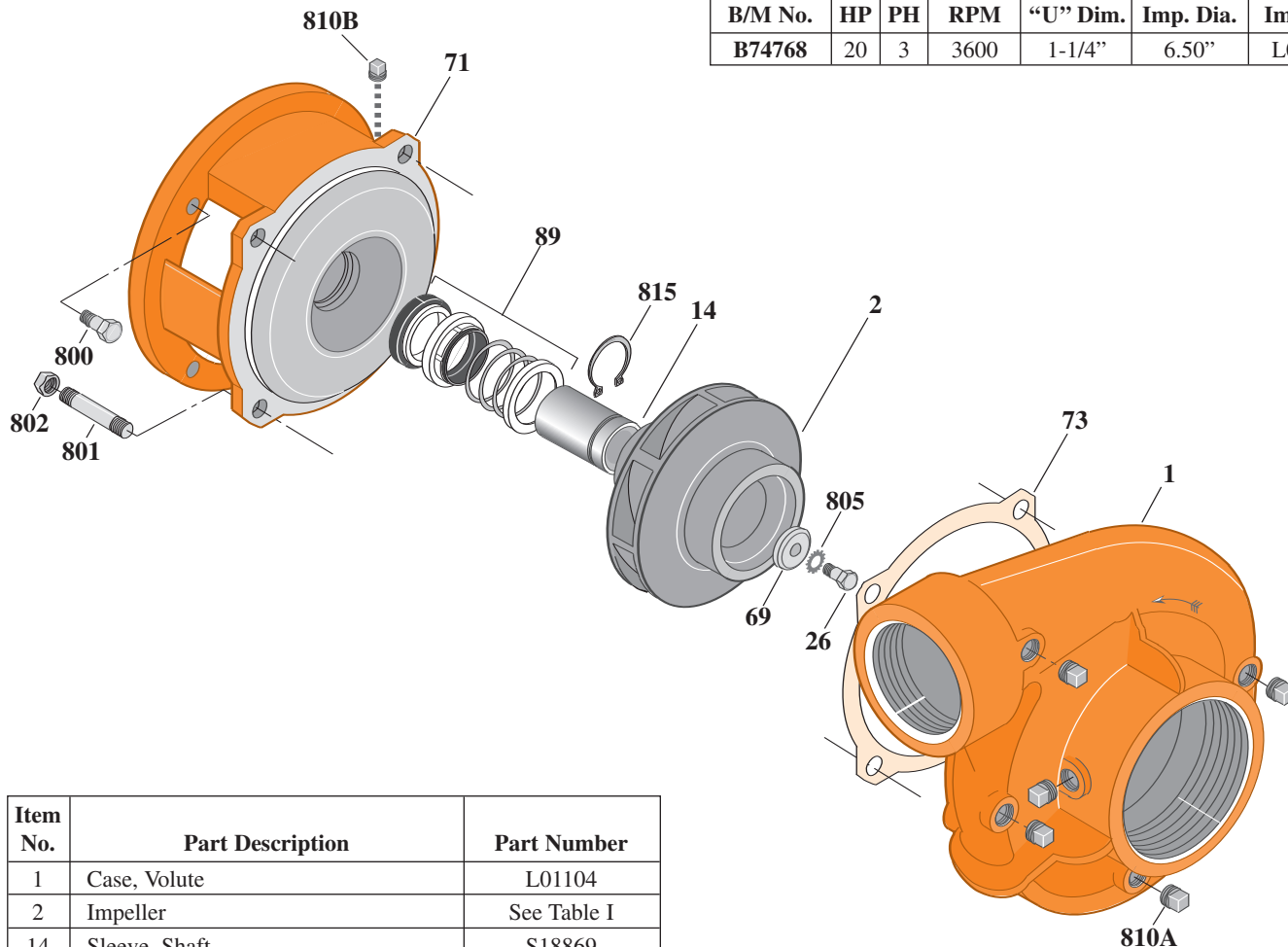
B3TPMS

Threaded Case (NPT)

Mechanical Shaft Seal Construction

TABLE I

B/M No.	HP	PH	RPM	"U" Dim.	Imp. Dia.	Imp. No.
B74768	20	3	3600	1-1/4"	6.50"	L08187



Item No.	Part Description	Part Number
1	Case, Volute	L01104
2	Impeller	See Table I
14	Sleeve, Shaft	S18869
26	Screw, Impeller 1/2 - 13 x 1"	S23619
32	Key, 1/4 x 2-1/4" (See Note)	S23677
69	Washer, Impeller	S06319
71	Bracket	See Table II
73	Gasket, Volute	S04757
89	Seal, Mechanical Shaft	S32015
800	Capscrew, 1/2 - 13 x 1" (4 Req.)	S26912
801	Stud, 1/2 - 13 x 1-1/2" (4 Req.)	S24043
802	Nut, 1/2 - 13 (4 Req.)	S23107
805	Washer, Lock	S23038
810A	Plug, Pipe 1/4" NPT (5 Req.)	S23715
810B	Plug, Pipe 1/8" NPT (In Bracket)	S23714
815	Ring, Retaining	S16767

TABLE II

HP	PH	Bracket No.	"AK" Fit	"U" Dim.	Motor Frame
20	3	L05779	8-1/2"	1-1/4"	254JM

NOTE: For an explanation of the tabulated material found on this page and for impeller key location, refer to *Supplement A* located at the beginning of this section.

NOTE: For seal flush line details, see *Supplement D*.



TYPE "B" SINGLE STAGE CENTRIFUGAL PUMP Electric Motor Drive

Section	CC
Page	160.24
Date	May 15, 2009
Supersedes 1/1/04	

SILICON BRONZE IMPELLER

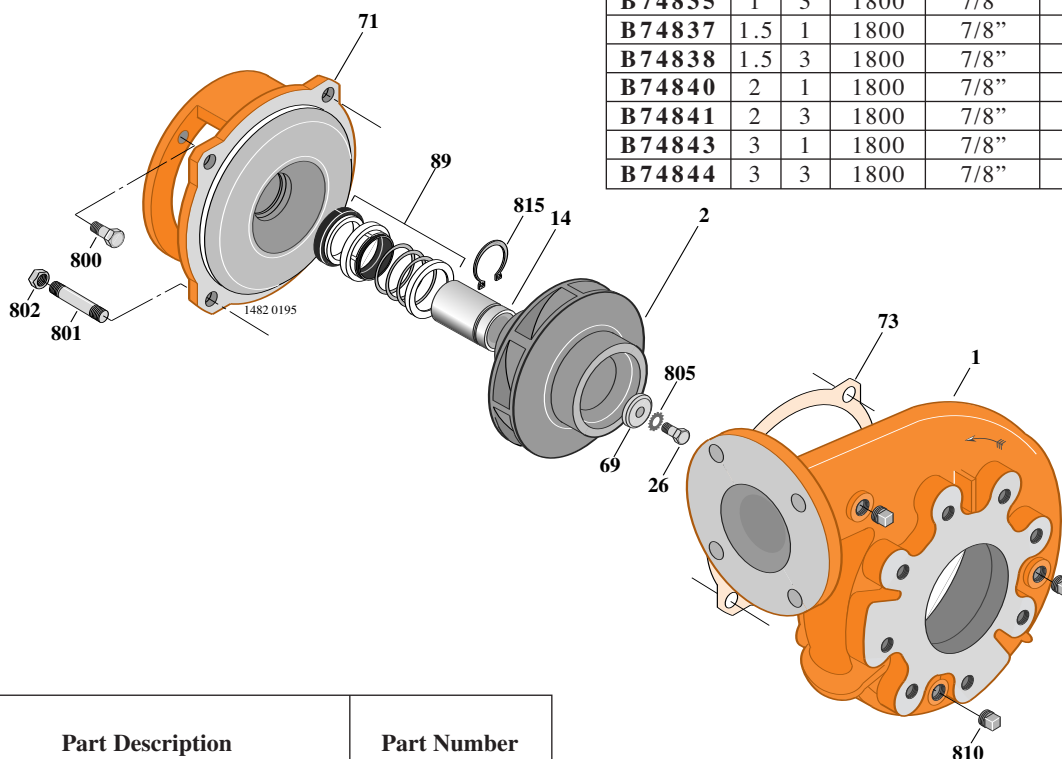
B3TPMS

Flanged Case

Mechanical Shaft Seal Construction

TABLE I

B/M No.	HP	PH	RPM	"U" Dim.	Imp. Dia.	Imp. No.
B74834	1	1	1800	7/8"	5.12"	L08174
B74835	1	3	1800	7/8"	5.12"	L08174
B74837	1.5	1	1800	7/8"	5.75"	L08172
B74838	1.5	3	1800	7/8"	5.75"	L08172
B74840	2	1	1800	7/8"	6.25"	L08168
B74841	2	3	1800	7/8"	6.25"	L08168
B74843	3	1	1800	7/8"	6.50"	L08169
B74844	3	3	1800	7/8"	6.50"	L08169



Item No.	Part Description	Part Number
1	Case, Volute	H05129
2	Impeller	See Table I
14	Sleeve, Shaft (See Note 2)	S19310L
26	Screw, Impeller 3/8 - 16 x 1"	S23566
32	Key, 3/16 x 1-1/4" (See Note 1)	S34383
69	Washer, Impeller	S06314
71	Bracket	See Table II
73	Gasket, Volute	S04757
89	Seal, Mechanical Shaft	S32014
800	Capscrew, 3/8 - 16 x 1" (4 Req.)	S26826
801	Stud, 1/2 - 13 x 1-1/2" (4 Req.)	S24043
802	Nut, 1/2 - 13 (4 Req.)	S23107
805	Washer, Lock	S23036
810	Plug, Pipe 1/4" NPT (3 Req.)	S23715
815	Ring, Retaining	S11207
•	Plug, Pipe 1/8" NPT (In Bracket)	S23714

• Not illustrated.

TABLE II

HP	PH	Bracket No.	"AK" Fit	"U" Dim.	Motor Frame
1	1	L05329	4-1/2"	7/8"	143JM
1	3	L05329	4-1/2"	7/8"	143JM
1.5	1	L05329	4-1/2"	7/8"	145JM
1.5	3	L05329	4-1/2"	7/8"	145JM
2	1	L05329	4-1/2"	7/8"	182JM
2	3	L05329	4-1/2"	7/8"	145JM
3	1	L05329	4-1/2"	7/8"	184JM
3	3	L05329	4-1/2"	7/8"	182JM

NOTE 1: For an explanation of the tabulated material found on this page and for impeller key location, refer to *Supplement A* located at the beginning of this section.

NOTE 2: Sleeve replacement kit available. Berkeley part number B85681 includes the shaft sleeve, adhesive compound and instruction sheet.

NOTE 3: For seal flush line details, see *Supplement D*.



TYPE "B" SINGLE STAGE CENTRIFUGAL PUMP Electric Motor Drive

Section	CC
Page	160.25
Date	May 15, 2009
Supersedes 1/1/04	

SILICON BRONZE IMPELLER

B3TPMS

Flanged Case

Mechanical Shaft Seal Construction

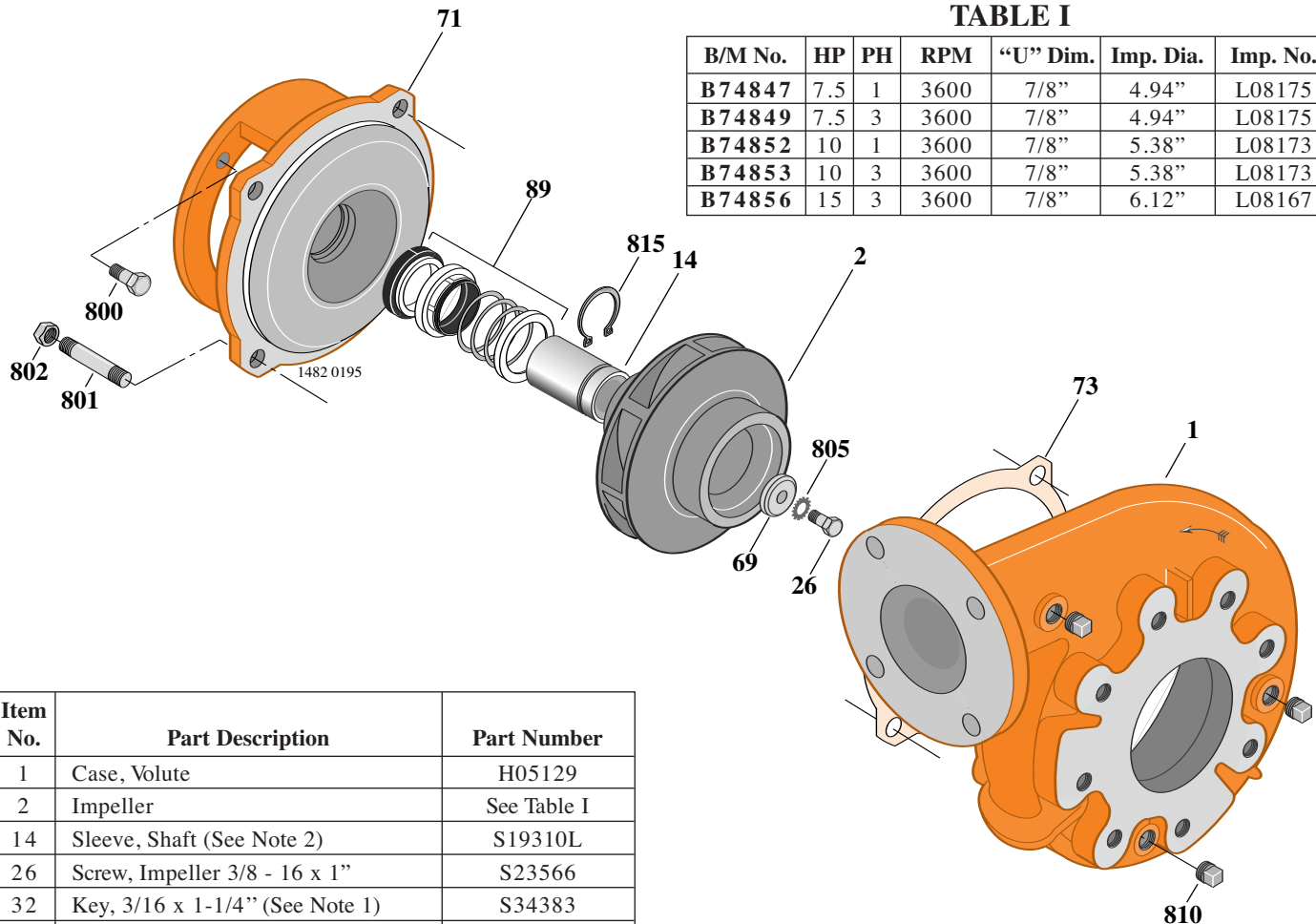


TABLE I

B/M No.	HP	PH	RPM	"U" Dim.	Imp. Dia.	Imp. No.
B74847	7.5	1	3600	7/8"	4.94"	L08175
B74849	7.5	3	3600	7/8"	4.94"	L08175
B74852	10	1	3600	7/8"	5.38"	L08173
B74853	10	3	3600	7/8"	5.38"	L08173
B74856	15	3	3600	7/8"	6.12"	L08167

Item No.	Part Description	Part Number
1	Case, Volute	H05129
2	Impeller	See Table I
14	Sleeve, Shaft (See Note 2)	S19310L
26	Screw, Impeller 3/8 - 16 x 1"	S23566
32	Key, 3/16 x 1-1/4" (See Note 1)	S34383
40	Washer, Impeller	S06314
71	Bracket	See Table II
73	Gasket, Volute	S04757
89	Seal, Mechanical Shaft	S32014
800	Capscrew, 3/8 - 16 x 1" (4 Req.) (For 4-1/2 AK)	S26826
800	Capscrew, 1/2 - 13 x 1" (4 Req.) (For 8-1/2 AK)	S26912
801	Stud, 1/2 - 13 x 1-1/2" (4 Req.)	S24043
802	Nut, 1/2 - 13 (4 Req.)	S23107
805	Washer, Lock	S23036
810	Plug, Pipe 1/4" NPT (3 Req.)	S23715
815	Ring, Retaining	S11207
•	Plug, Pipe 1/8" NPT (In Bracket)	S23714

• Not illustrated.

TABLE II

HP	PH	Bracket No.	"AK" Fit	"U" Dim.	Motor Frame
7.5	1	L05328	8-1/2"	7/8"	213JM
7.5	3	L05329	4-1/2"	7/8"	184JM
10	1	L05328	8-1/2"	7/8"	215JM
10	3	L05328	8-1/2"	7/8"	213JM
15	3	L05328	8-1/2"	7/8"	215JM

NOTE 1: For an explanation of the tabulated material found on this page and for impeller key location, refer to *Supplement A* located at the beginning of this section.

NOTE 2: Sleeve replacement kit available. Berkeley part number B85681 includes the shaft sleeve, adhesive compound and instruction sheet.

NOTE 3: For seal flush line details, see *Supplement D*.



TYPE "B" SINGLE STAGE CENTRIFUGAL PUMP Electric Motor Drive

Section	CC
Page	160.26
Date	January 1, 2004
Supersedes 9/1/97	

SILICON BRONZE IMPELLER

B3TPMS

Flanged Case

Mechanical Shaft Seal Construction

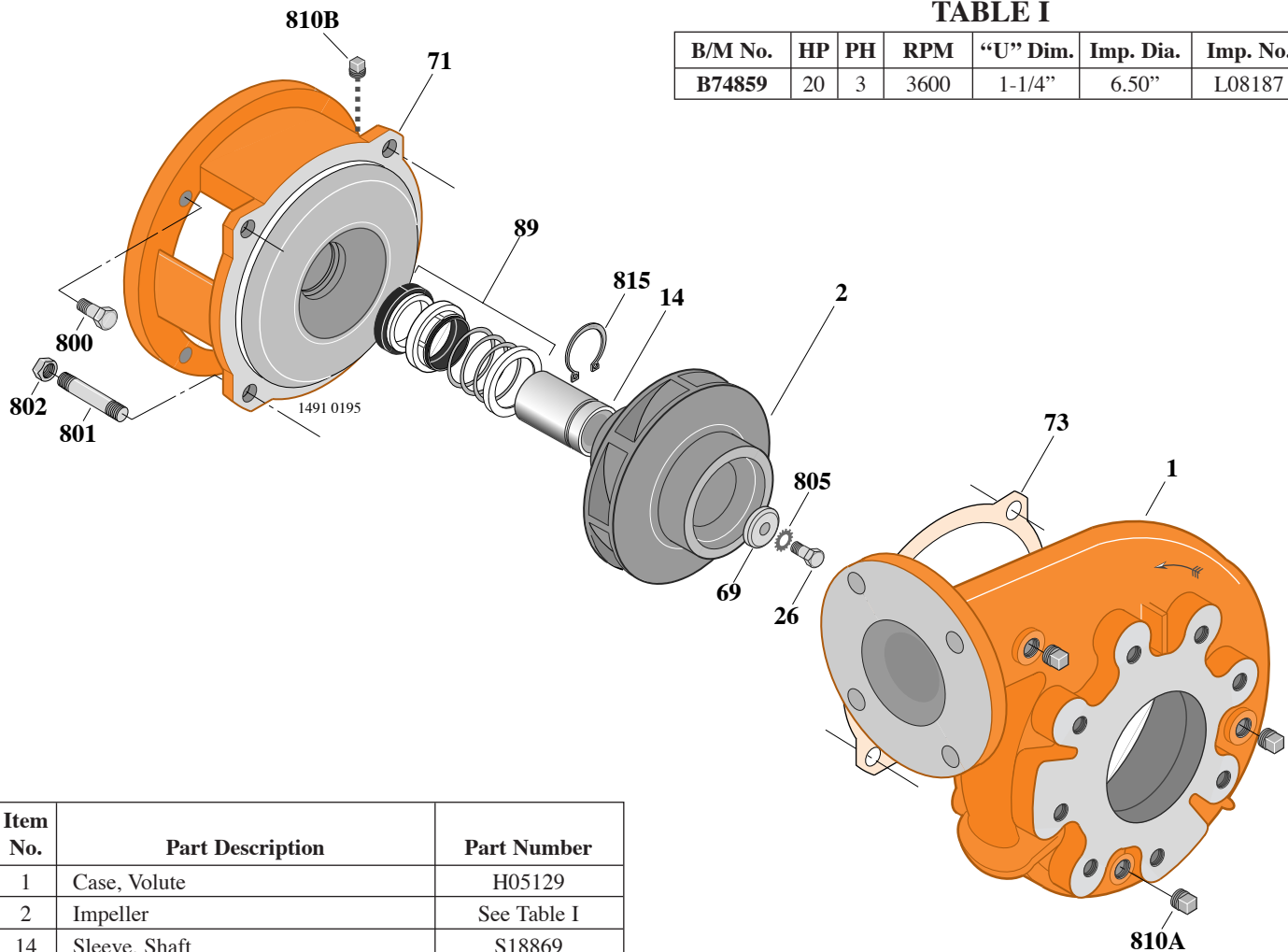


TABLE I

B/M No.	HP	PH	RPM	"U" Dim.	Imp. Dia.	Imp. No.
B74859	20	3	3600	1-1/4"	6.50"	L08187

Item No.	Part Description	Part Number
1	Case, Volute	H05129
2	Impeller	See Table I
14	Sleeve, Shaft	S18869
26	Screw, Impeller 1/2 - 13 x 1"	S23619
32	Key, 1/4 x 2-1/4" (See Note)	S23677
69	Washer, Impeller	S06319
71	Bracket	See Table II
73	Gasket, Volute	S04757
89	Seal, Mechanical Shaft	S32015
800	Capscrew, 1/2 - 13 x 1" (4 Req.)	S26912
801	Stud, 1/2 - 13 x 1-1/2" (4 Req.)	S24043
802	Nut, 1/2 - 13 (4 Req.)	S23107
805	Washer, Lock	S23038
810A	Plug, Pipe 1/4" NPT (3 Req.)	S23715
810B	Plug, Pipe 1/8" NPT (In Bracket)	S23714
815	Ring, Retaining	S16767

TABLE II

HP	PH	Bracket No.	"AK" Fit	"U" Dim.	Motor Frame
20	3	L05779	8-1/2"	1-1/4"	254JM

NOTE: For an explanation of the tabulated material found on this page and for impeller key location, refer to *Supplement A* located at the beginning of this section.

NOTE: For seal flush line details, see *Supplement D*.