



# Type "B" Single Stage Centrifugal Pump Electric Motor Drive

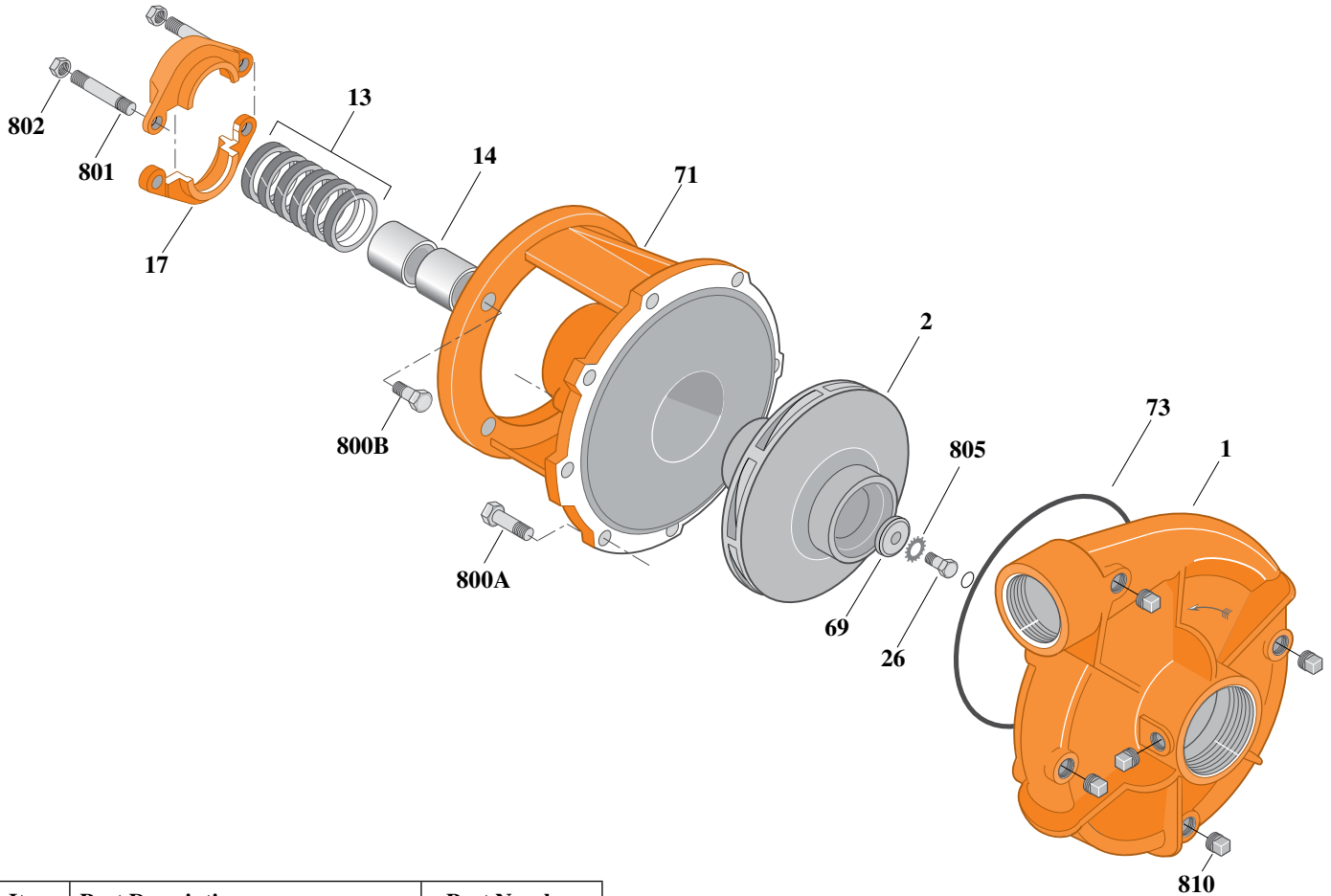
Section	CC
Page	140.1
Date	July 1, 2011
Supersedes 1/1/04	

## CAST IRON IMPELLER

## B2-1/2ZPM

### Threaded Case (NPT)

### Packing Construction



Item	Part Description	Part Number
1	Case, Volute	L01027
2	Impeller	See Table I
13	Rings, Packing (Set of 7)	S15094
14	Sleeve, Shaft (2 Req.)	S00619L
17	Gland, Packing	B82469
26	Screw, Impeller 3/8 - 16 x 1"	S23566
32	Key, 3/16 x 1-1/4" (See Note 1)	S34383
69	Washer, Impeller	S06314
71	Bracket	See Table II
73	O-Ring (See Note 2)	M14943
800A	Capscrew, 3/8 - 16 x 7/8" (8 Req.)	S26825
800B	Capscrew, 3/8 - 16 x 1" (4 Req.)	S26826
801	Stud, 3/8 - 16 x 3" (2 Req.)	S04439
802	Nut, Hex 3/8 - 16 (2 Req.)	S23343
805	Washer, Lock	S23036
810	Plug, Pipe 1/4 NPT (5 Req.)	S23715

**Table I**

B/M No.	HP	PH	RPM	"U" Dim.	Imp. Dia.	Imp. No.
B53802	2	1	1800	7/8"	6.18"	L06124
B51686	2	3	1800	7/8"	6.18"	L06124
B53803	3	1	1800	7/8"	7.31"	L06125
B53806	3	3	1800	7/8"	7.31"	L06125

**Table II**

HP	PH	Bracket No.	"AK" Fit	"U" Dim.	Motor Frame
2	1	H00950	4-1/2"	7/8"	182JP
2	3	H00950	4-1/2"	7/8"	145JP
3	1	H00950	4-1/2"	7/8"	184JP
3	3	H00950	4-1/2"	7/8"	182JP

**NOTE 1:** For an explanation of the tabulated material found on this page and for impeller key location, refer to *Supplement A* located at the beginning of this section.

**NOTE 2:** Also accepts gasket S05126 as replacement for o-ring. See *Supplement E* located at the beginning of this section.



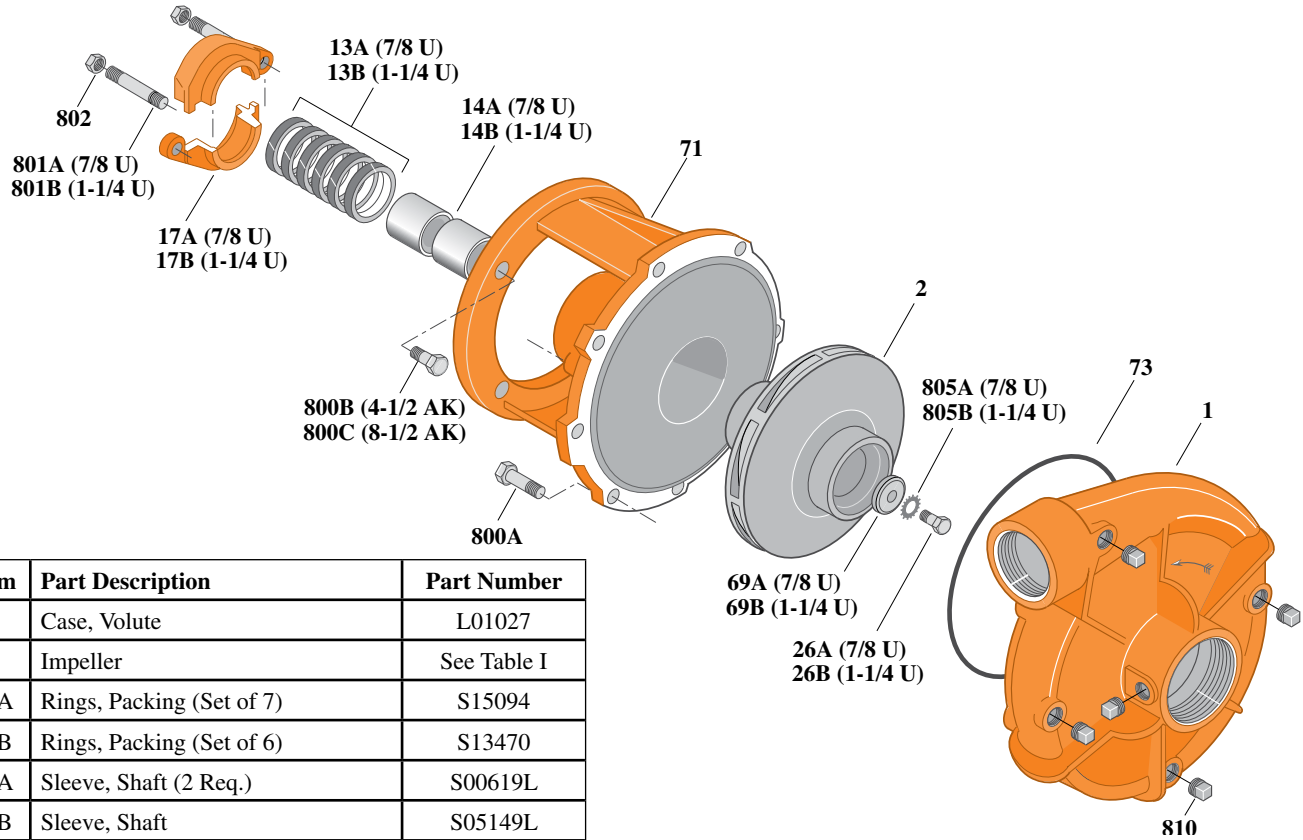
# Type "B" Single Stage Centrifugal Pump Electric Motor Drive

Section	CC
Page	140.2
Date	July 1, 2011
Supersedes 1/1/04	

## CAST IRON IMPELLERB2-1/2ZPM

**Threaded Case (NPT)**

**Packing Construction**



Item	Part Description	Part Number
1	Case, Volute	L01027
2	Impeller	See Table I
13A	Rings, Packing (Set of 7)	S15094
13B	Rings, Packing (Set of 6)	S13470
14A	Sleeve, Shaft (2 Req.)	S00619L
14B	Sleeve, Shaft	S05149L
17A	Gland, Packing	B82469
17B	Gland, Packing	B82470
26A	Screw, Impeller 3/8 - 16 x 1"	S23566
26B	Screw, Impeller 1/2 - 13 x 1-1/2"	S23623
32A	Key, 3/16 x 1-1/4" (See Note 1)	S34383
32B	Key, 1/4 x 2-1/4" (See Note 1)	S23677
69A	Washer, Impeller	S06314
69B	Washer, Impeller	S06319
71	Bracket	See Table II
73	O-Ring (See Note 2)	M14943
800A	Capscrew, 3/8 - 16 x 7/8" (8 Req.)	S26825
800B	Capscrew, 3/8 - 16 x 1" (4 Req.)	S26826
800C	Capscrew, 1/2 - 13 x 1-1/2" (4 Req.)	S26916
801A	Stud, 3/8 - 16 x 3" (2 Req.)	S04439
801B	Stud, 3/8 - 16 x 4" (2 Req.)	S08303
802	Nut, Hex 3/8 - 16 (2 Req.)	S23343
805A	Washer, Lock	S23036
805B	Washer, Lock	S23038
810	Plug, Pipe 1/4 NPT (5 Req.)	S23715

**Table I**

B/M No.	HP	PH	RPM	"U" Dim.	Imp. Dia.	Imp. No.
B53804	5	1	1800	1-1/4"	8.38"	L06127
B53807	5	3	1800	7/8"	8.38"	L06126
B53805	7.5	1	1800	1-1/4"	9.00"	L05120
B53808	7.5	3	1800	1-1/4"	9.00"	L05120

**Table II**

HP	PH	Bracket No.	"AK" Fit	"U" Dim.	Motor Frame
5	1	L03827	8-1/2"	1-1/4"	213JP
5	3	H00950	4-1/2"	7/8"	184JP
7.5	1	L03827	8-1/2"	1-1/4"	215JP
7.5	3	L03827	8-1/2"	1-1/4"	213JP

**NOTE 1:** For an explanation of the tabulated material found on this page and for impeller key location, refer to *Supplement A* located at the beginning of this section.

**NOTE 2:** Also accepts gasket S05126 as replacement for o-ring. See *Supplement E* located at the beginning of this section.



# Type "B" Single Stage Centrifugal Pump Electric Motor Drive

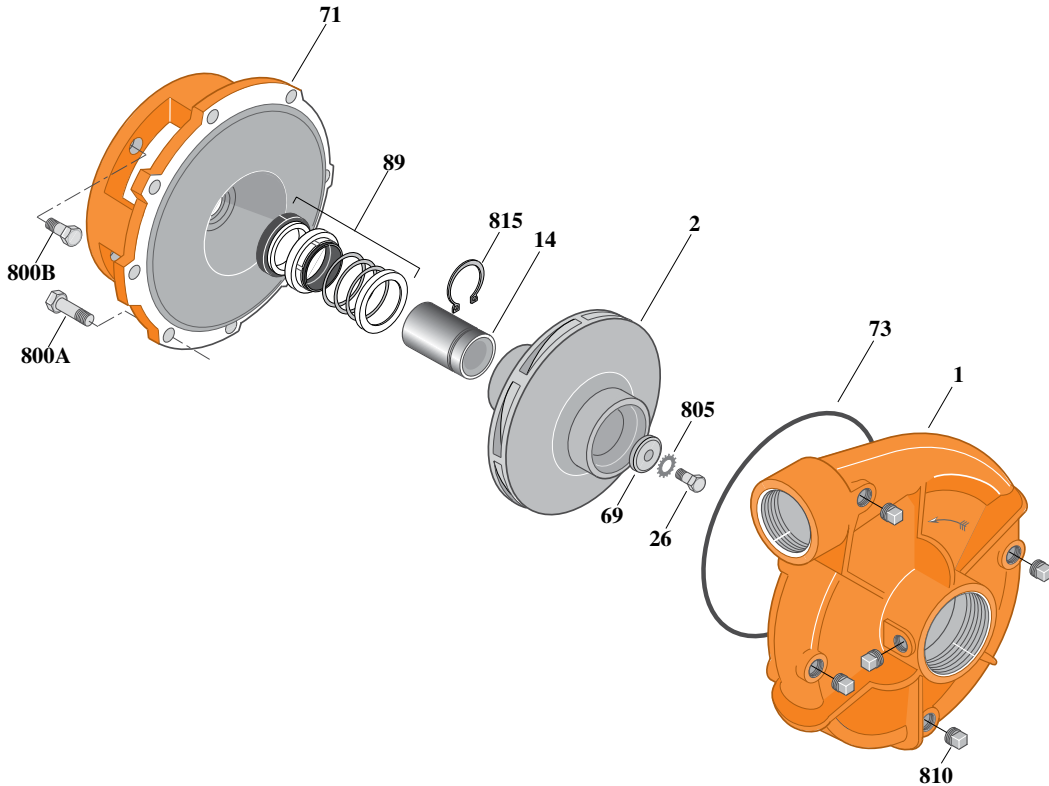
Section	CC
Page	140.3
Date	July 1, 2011
Supersedes 1/1/04	

## CAST IRON IMPELLER

## B2-1/2ZPMS

### Threaded Case (NPT)

### Mechanical Shaft Seal Construction



Item	Part Description	Part Number
1	Case, Volute	L01027
2	Impeller	See Table I
14	Sleeve, Shaft	S19310L
26	Screw, Impeller 3/8 - 16 x 1"	S23566
32	Key, 3/16 x 1-1/4" (See Note 1)	S34383
69	Washer, Impeller	S06314
71	Bracket	See Table II
73	O-Ring (See Note 2)	M14943
89	Seal, Mechanical Shaft	S32014
800A	Capscrew, 3/8 - 16 x 7/8" (8 Req.)	S26825
800B	Capscrew, 3/8 - 16 x 1" (4 Req.)	S26826
805	Washer, Lock	S23036
810	Plug, Pipe 1/4 NPT (5 Req.)	S23715
815	Ring, Retaining	S11207

**Table I**

B/M No.	HP	PH	RPM	"U" Dim.	Imp. Dia.	Imp. No.
B54577	2	1	1800	7/8"	6.18"	L06124
B54581	2	3	1800	7/8"	6.18"	L06124
B54578	3	1	1800	7/8"	7.31"	L06125
B54582	3	3	1800	7/8"	7.31"	L06125
B54579	5	1	1800	7/8"	8.38"	L06126
B54583	5	3	1800	7/8"	8.38"	L06126
B54580	7.5	1	1800	7/8"	9.00"	L01218
B54584	7.5	3	1800	7/8"	9.00"	L01218

**Table II**

HP	PH	Bracket No.	"AK" Fit	"U" Dim.	Motor Frame
2	1	L05332	4-1/2"	7/8"	182JM
2	3	L05332	4-1/2"	7/8"	145JM
3	1	L05332	4-1/2"	7/8"	184JM
3	3	L05332	4-1/2"	7/8"	182JM
5	1	L05331	8-1/2"	7/8"	213JM
5	3	L05332	4-1/2"	7/8"	184JM
7.5	1	L05331	8-1/2"	7/8"	215JM
7.5	3	L05331	8-1/2"	7/8"	213JM

**NOTE 1:** For an explanation of the tabulated material found on this page and for impeller key location, refer to *Supplement A* located at the beginning of this section.

**NOTE 2:** Also accepts gasket S05126 as replacement for o-ring. See *Supplement E* located at the beginning of this section.



# Type "B" Single Stage Centrifugal Pump Electric Motor Drive

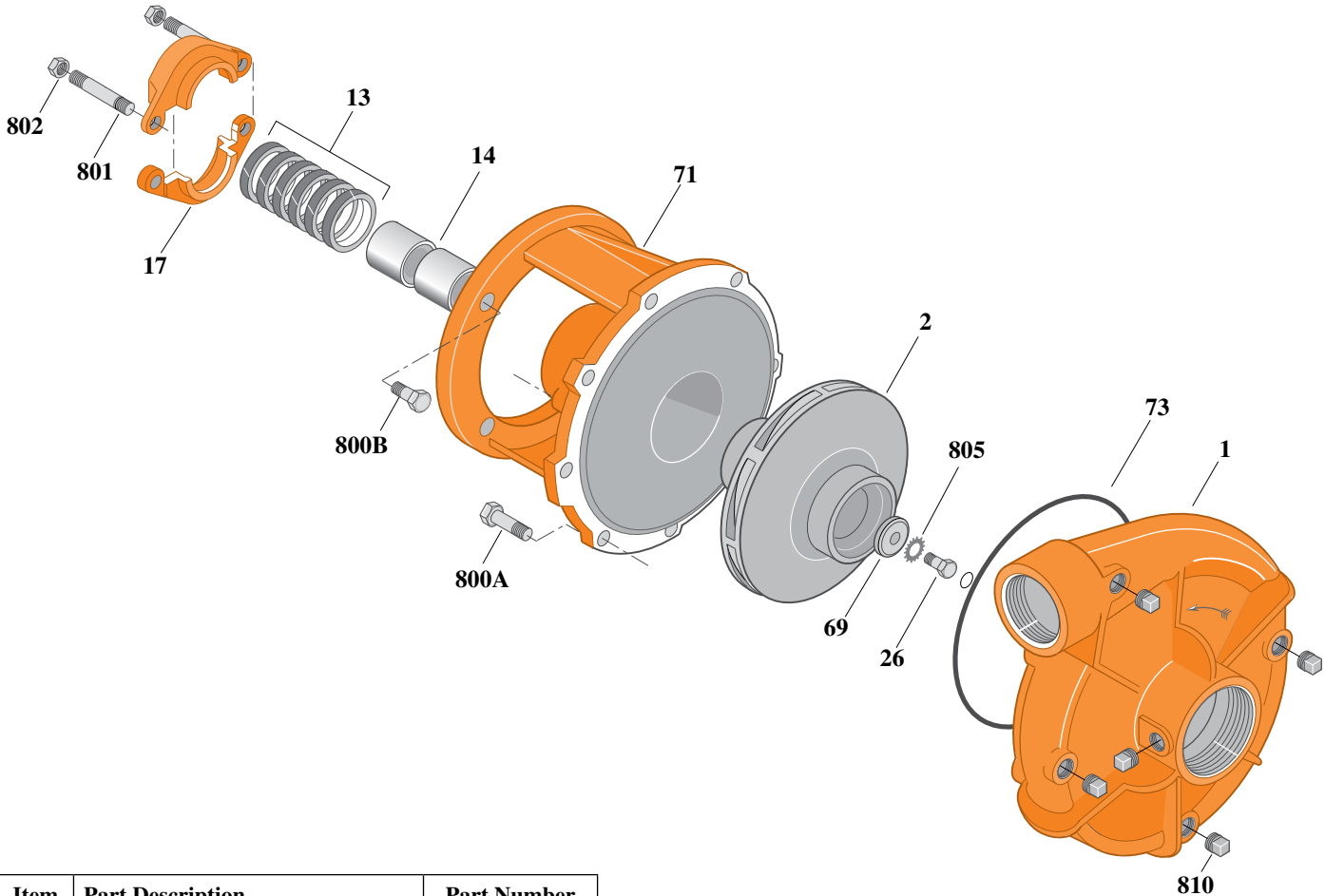
Section	CC
Page	140.4
Date	July 1, 2011
Supersedes 1/1/04	

## SILICON BRONZE IMPELLER

## B2-1/2ZPM

### Threaded Case (NPT)

### Packing Construction



Item	Part Description	Part Number
1	Case, Volute	L01027
2	Impeller	See Table I
13	Rings, Packing (Set of 7)	S15094
14	Sleeve, Shaft (2 Req.)	S00619L
17	Gland, Packing	B82469
26	Screw, Impeller 3/8 - 16 x 1"	S23566
32	Key, 3/16 x 1-1/4" (See Note 1)	S34383
69	Washer, Impeller	S06314
71	Bracket	See Table II
73	O-Ring (See Note 2)	M14943
800A	Capscrew, 3/8 - 16 x 7/8" (8 Req.)	S26825
800B	Capscrew, 3/8 - 16 x 1" (4 Req.)	S26826
801	Stud, 3/8 - 16 x 3" (2 Req.)	S04439
802	Nut, Hex 3/8 - 16 (2 Req.)	S23343
805	Washer, Lock	S23036
810	Plug, Pipe 1/4" NPT (5 Req.)	S23715

**Table I**

B/M No.	HP	PH	RPM	"U" Dim.	Imp. Dia.	Imp. No.
B74569	2	1	1800	7/8"	6.18"	L08164
B74570	2	3	1800	7/8"	6.18"	L08164
B74585	3	1	1800	7/8"	7.31"	L08165
B74586	3	3	1800	7/8"	7.31"	L08165

**Table II**

HP	PH	Bracket No.	"AK" Fit	"U" Dim.	Motor Frame
2	1	H00950	4-1/2"	7/8"	182JP
2	3	H00950	4-1/2"	7/8"	145JP
3	1	H00950	4-1/2"	7/8"	184JP
3	3	H00950	4-1/2"	7/8"	182JP

**NOTE 1:** For an explanation of the tabulated material found on this page and for impeller key location, refer to **Supplement A** located at the beginning of this section.

**NOTE 2:** Also accepts gasket S05126 as replacement for o-ring. See **Supplement E** located at the beginning of this section.



# Type "B" Single Stage Centrifugal Pump Electric Motor Drive

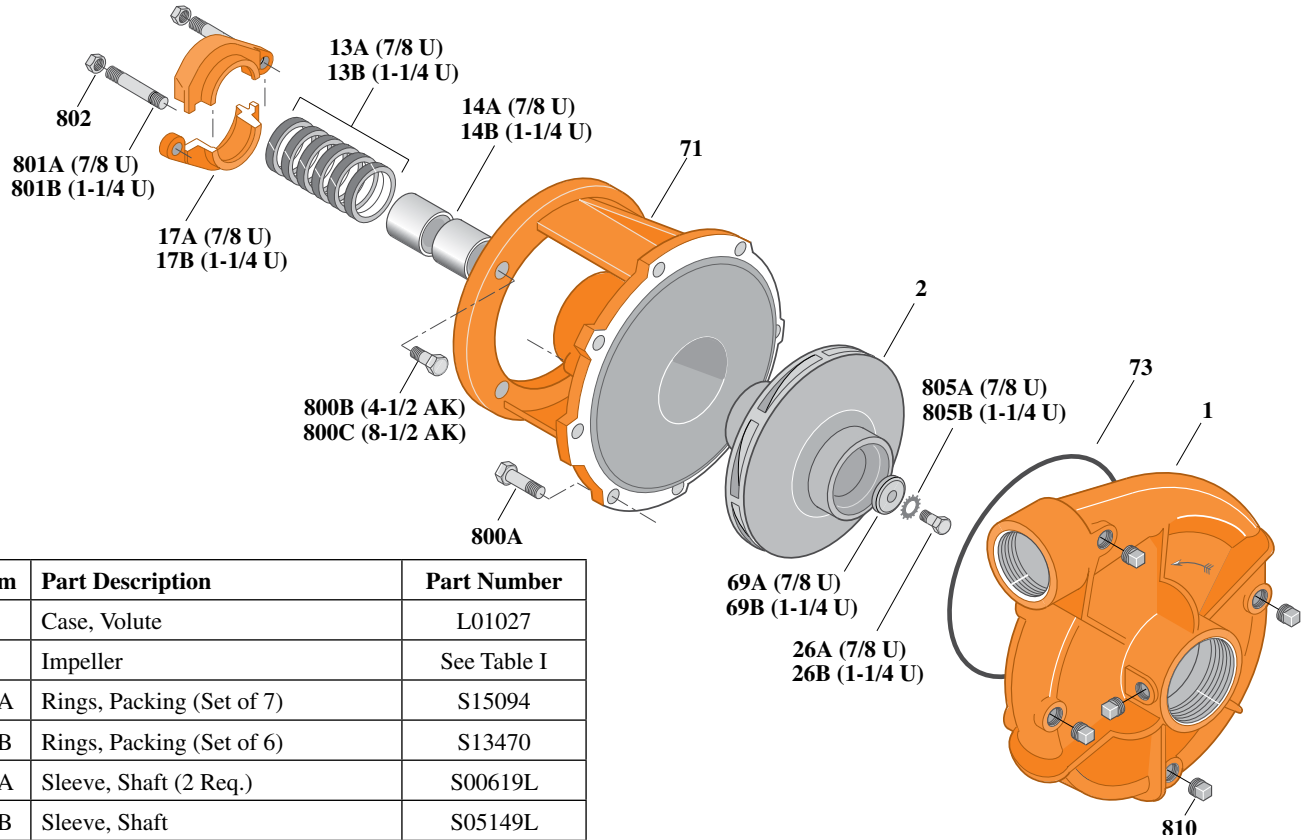
Section	CC
Page	140.5
Date	July 1, 2011
Supersedes 1/1/04	

## SILICON BRONZE IMPELLER

## B2-1/2ZPM

### Threaded Case (NPT)

### Packing Construction



Item	Part Description	Part Number
1	Case, Volute	L01027
2	Impeller	See Table I
13A	Rings, Packing (Set of 7)	S15094
13B	Rings, Packing (Set of 6)	S13470
14A	Sleeve, Shaft (2 Req.)	S00619L
14B	Sleeve, Shaft	S05149L
17A	Gland, Packing	B82469
17B	Gland, Packing	B82470
26A	Screw, Impeller 3/8 - 16 x 1"	S23566
26B	Screw, Impeller 1/2 - 13 x 1-1/2"	S23623
32A	Key, 3/16 x 1-1/4" (See Note 1)	S34383
32B	Key, 1/4 x 2-1/4" (See Note 1)	S23677
69A	Washer, Impeller	S06314
69B	Washer, Impeller	S06319
71	Bracket	See Table II
73	O-Ring (See Note 2)	M14943
800A	Capscrew, 3/8 - 16 x 7/8" (8 Req.)	S26825
800B	Capscrew, 3/8 - 16 x 1" (4 Req.)	S26826
800C	Capscrew, 1/2 - 13 x 1-1/2" (4 Req.)	S26916
801A	Stud, 3/8 - 16 x 3" (2 Req.)	S04439
801B	Stud, 3/8 - 16 x 4" (2 Req.)	S08303
802	Nut, Hex 3/8 - 16 (2 Req.)	S23343
805A	Washer, Lock	S23036
805B	Washer, Lock	S23038
810	Plug, Pipe 1/4" NPT (5 Req.)	S23715

**Table I**

B/M No.	HP	PH	RPM	"U" Dim.	Imp. Dia.	Imp. No.
B74600	5	1	1800	1-1/4"	8.38"	L08191
B74604	5	3	1800	7/8"	8.38"	L08166
B74622	7.5	1	1800	1-1/4"	9.00"	L08190
B74623	7.5	3	1800	1-1/4"	9.00"	L08190

**Table II**

HP	PH	Bracket No.	"AK" Fit	"U" Dim.	Motor Frame
5	1	L03827	8-1/2"	1-1/4"	213JP
5	3	H00950	4-1/2"	7/8"	184JP
7.5	1	L03827	8-1/2"	1-1/4"	215JP
7.5	3	L03827	8-1/2"	1-1/4"	213JP

**NOTE 1:** For an explanation of the tabulated material found on this page and for impeller key location, refer to *Supplement A* located at the beginning of this section.

**NOTE 2:** Also accepts gasket S05126 as replacement for o-ring. See *Supplement E* located at the beginning of this section.



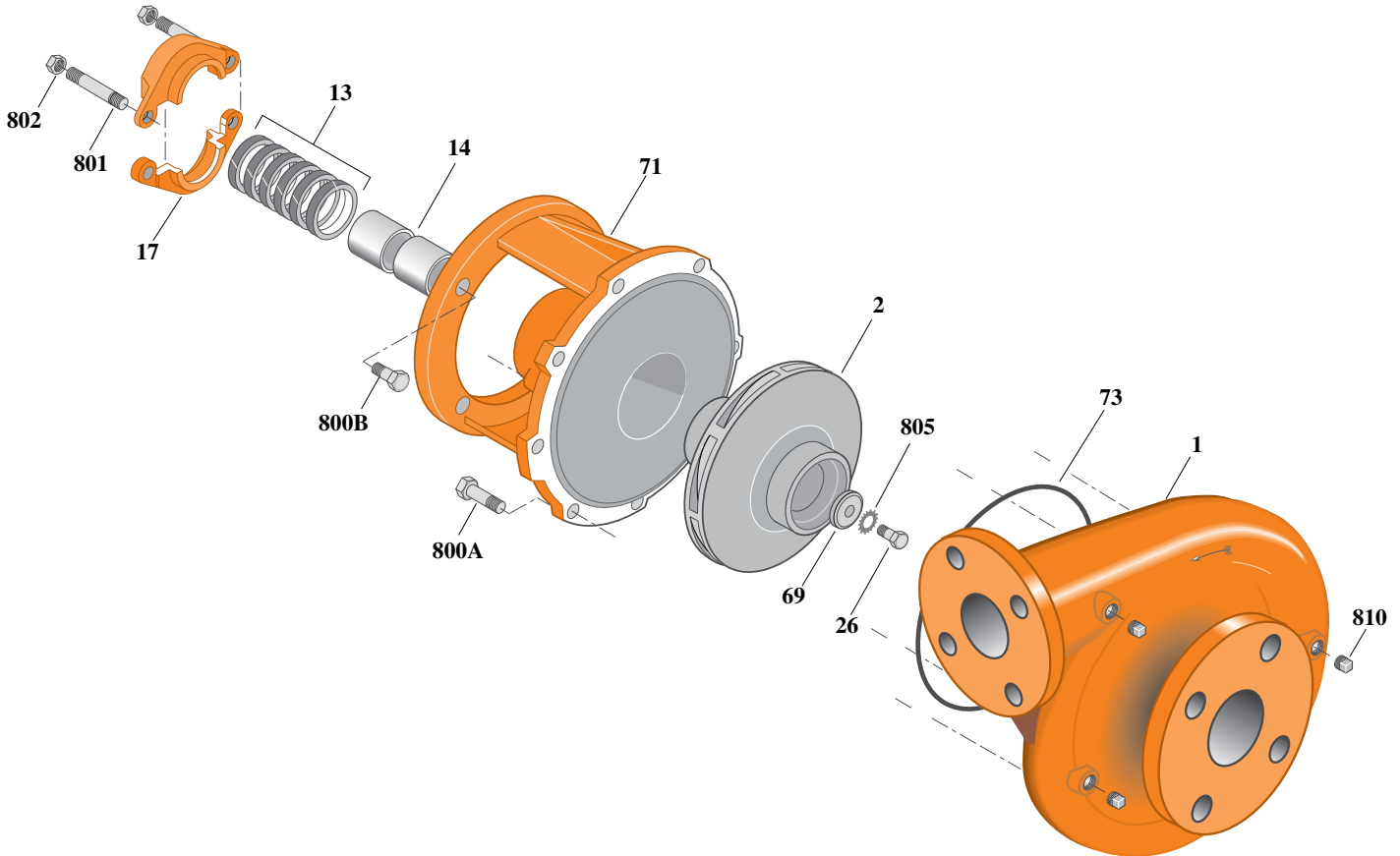
# Type "B" Single Stage Centrifugal Pump Electric Motor Drive

Section	CC
Page	140.6
Date	July 1, 2011
Supersedes 1/1/04	

## SILICON BRONZE IMPELLERB2-1/2ZPM

### Flanged Case

### Packing Construction



Item	Part Description	Part Number
1	Case, Volute	H05534
2	Impeller	See Table I
13	Rings, Packing (Set of 7)	S15094
14	Sleeve, Shaft (2 Req.)	S00619L
17	Gland, Packing	B82469
26	Screw, Impeller 3/8 - 16 x 1"	S23566
32	Key, 3/16 x 1-1/4" (See Note 1)	S34383
69	Washer, Impeller	S06314
71	Bracket	See Table II
73	O-Ring (See Note 2)	M14943
800A	Capscrew, 3/8 - 16 x 7/8" (8 Req.)	S26825
800B	Capscrew, 3/8 - 16 x 1" (4 Req.)	S26826
801	Stud, 3/8 - 16 x 3" (2 Req.)	S04439
802	Nut, Hex 3/8 - 16 (2 Req.)	S23343
805	Washer, Lock	S23036
810	Plug, Pipe 1/4" NPT (4 Req.)	S23715

**Table I**

B/M No.	HP	PH	RPM	"U" Dim.	Imp. Dia.	Imp. No.
B74574	2	1	1800	7/8"	6.18"	L08164
B74575	2	3	1800	7/8"	6.18"	L08164
B74589	3	1	1800	7/8"	7.31"	L08165
B74590	3	3	1800	7/8"	7.31"	L08165

**Table II**

HP	PH	Bracket No.	"AK" Fit	"U" Dim.	Motor Frame
2	1	H00950	4-1/2"	7/8"	182JP
2	3	H00950	4-1/2"	7/8"	145JP
3	1	H00950	4-1/2"	7/8"	184JP
3	3	H00950	4-1/2"	7/8"	182JP

**NOTE 1:** For an explanation of the tabulated material found on this page and for impeller key location, refer to *Supplement A* located at the beginning of this section.

**NOTE 2:** Also accepts gasket S05126 as replacement for o-ring. See *Supplement E* located at the beginning of this section.



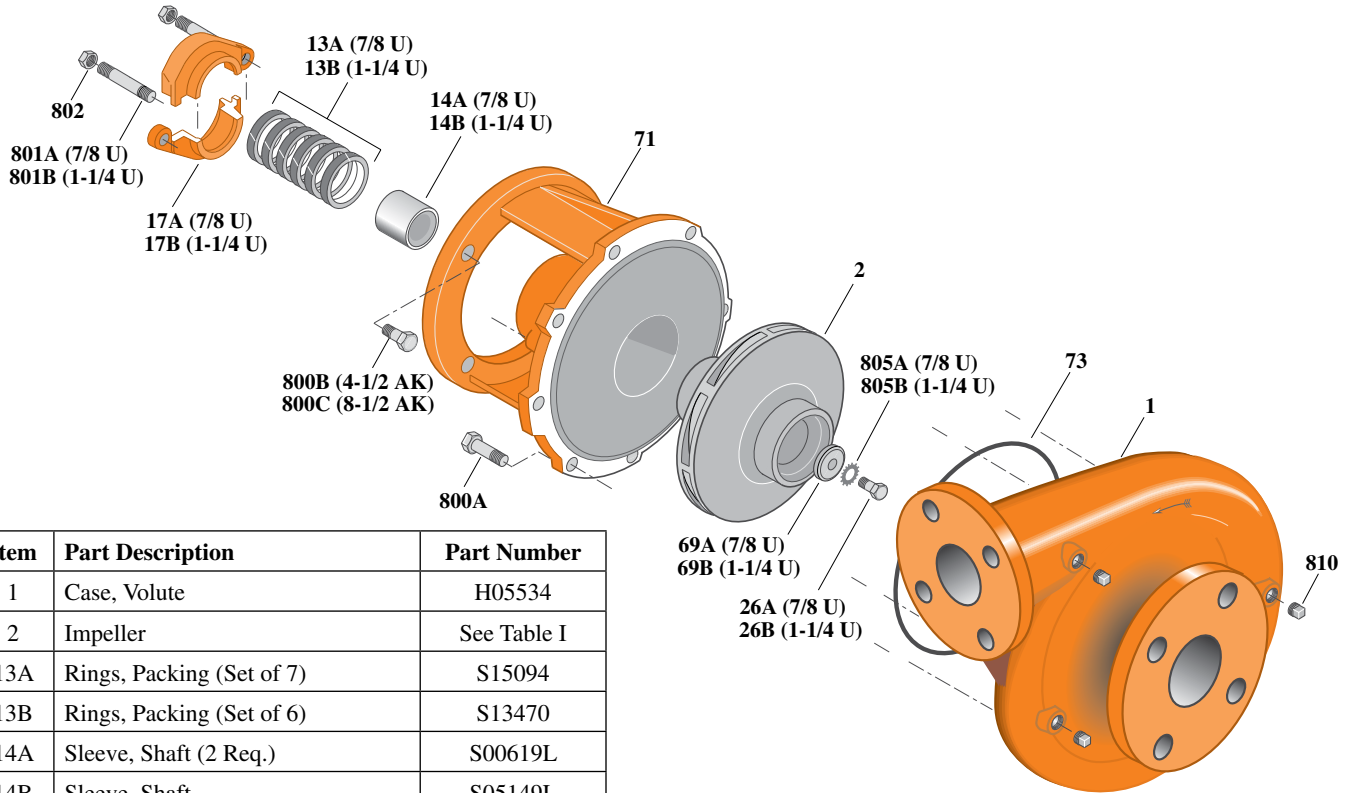
# Type "B" Single Stage Centrifugal Pump Electric Motor Drive

Section	CC
Page	140.7
Date	July 1, 2011
Supersedes 1/1/04	

## SILICON BRONZE IMPELLER B2-1/2ZPM

### Flanged Case

### Packing Construction



Item	Part Description	Part Number
1	Case, Volute	H05534
2	Impeller	See Table I
13A	Rings, Packing (Set of 7)	S15094
13B	Rings, Packing (Set of 6)	S13470
14A	Sleeve, Shaft (2 Req.)	S00619L
14B	Sleeve, Shaft	S05149L
17A	Gland, Packing	B82469
17B	Gland, Packing	B82470
26A	Screw, Impeller 3/8 - 16 x 1"	S23566
26B	Screw, Impeller 1/2 - 13 x 1-1/2"	S23623
32A	Key, 3/16 x 1-1/4" (See Note 1)	S34383
32B	Key, 1/4 x 2-1/4" (See Note 1)	S23677
69A	Washer, Impeller	S06314
69B	Washer, Impeller	S06319
71	Bracket	See Table II
73	O-Ring (See Note 2)	M14943
800A	Capscrew, 3/8 - 16 x 7/8" (8 Req.)	S26825
800B	Capscrew, 3/8 - 16 x 1" (4 Req.)	S26826
800C	Capscrew, 1/2 - 13 x 1-1/2" (4 Req.)	S26916
801A	Stud, 3/8 - 16 x 3" (2 Req.)	S04439
801B	Stud, 3/8 - 16 x 4" (2 Req.)	S08303
802	Nut, Hex 3/8 - 16 (2 Req.)	S23343
805A	Washer, Lock	S23036
805B	Washer, Lock	S23038
810	Plug, Pipe 1/4" NPT (4 Req.)	S23715

**Table I**

B/M No.	HP	PH	RPM	"U" Dim.	Imp. Dia.	Imp. No.
B74607	5	1	1800	1-1/4"	8.38"	L08191
B74610	5	3	1800	7/8"	8.38"	L08166
B74626	7.5	1	1800	1-1/4"	9.00"	L08190
B74627	7.5	3	1800	1-1/4"	9.00"	L08190

**Table II**

HP	PH	Bracket No.	"AK" Fit	"U" Dim.	Motor Frame
5	1	L03827	8-1/2"	1-1/4"	213JP
5	3	H00950	4-1/2"	7/8"	184JP
7.5	1	L03827	8-1/2"	1-1/4"	215JP
7.5	3	L03827	8-1/2"	1-1/4"	213JP

**NOTE 1:** For an explanation of the tabulated material found on this page and for impeller key location, refer to *Supplement A* located at the beginning of this section.

**NOTE 2:** Also accepts gasket S05126 as replacement for o-ring. See *Supplement E* located at the beginning of this section.



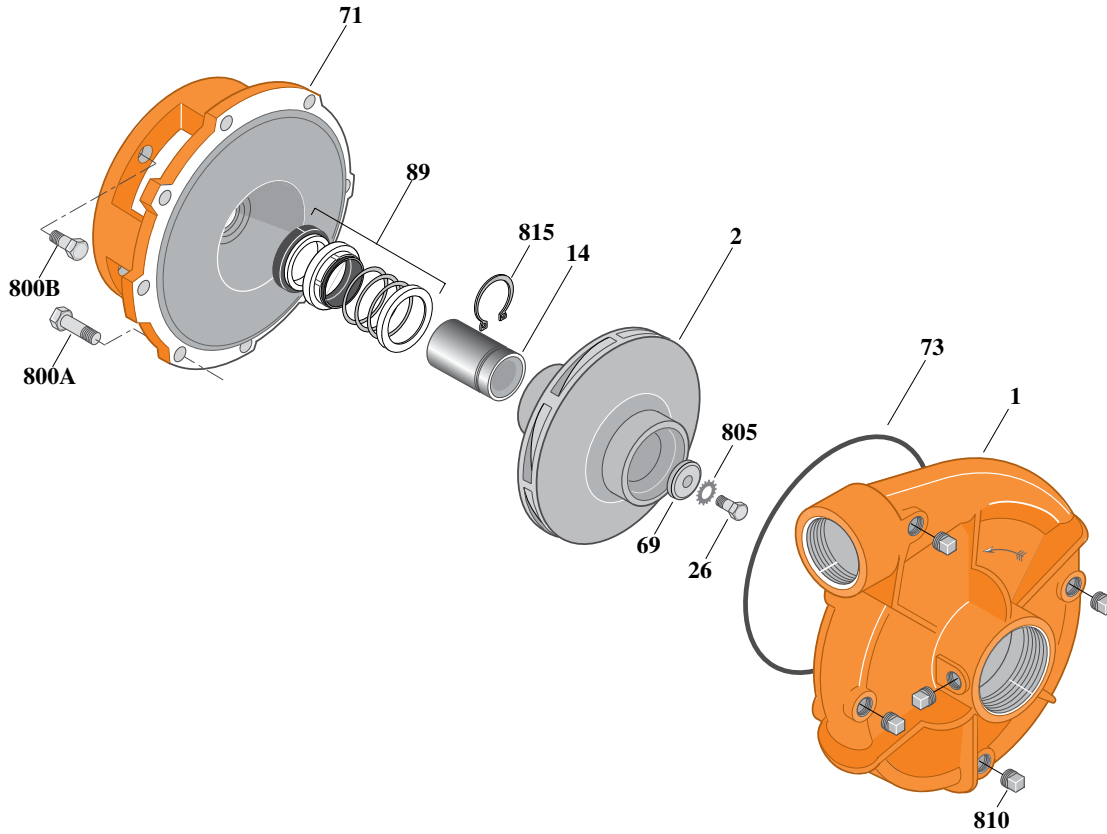
# Type "B" Single Stage Centrifugal Pump Electric Motor Drive

Section	CC
Page	140.8
Date	July 1, 2011
Supersedes 1/1/04	

## SILICON BRONZE IMPELLERB2-1/2ZPMS

### Threaded Case (NPT)

### Mechanical Shaft Seal Construction



**Table I**

B/M No.	HP	PH	RPM	"U" Dim.	Imp. Dia.	Imp. No.
B74577	2	1	1800	7/8"	6.18"	L08164
B74578	2	3	1800	7/8"	6.18"	L08164
B74592	3	1	1800	7/8"	7.31"	L08165
B74593	3	3	1800	7/8"	7.31"	L08165
B74614	5	3	1800	7/8"	8.38"	L08166

**Table II**

HP	PH	Bracket No.	"AK" Fit	"U" Dim.	Motor Frame
2	1	L05332	4-1/2"	7/8"	182JM
2	3	L05332	4-1/2"	7/8"	145JM
3	1	L05332	4-1/2"	7/8"	184JM
3	3	L05332	4-1/2"	7/8"	182JM
5	3	L05332	4-1/2"	7/8"	184JM

Item	Part Description	Part Number
1	Case, Volute	L01027
2	Impeller	See Table I
14	Sleeve, Shaft	S19310L
26	Screw, Impeller 3/8 - 16 x 1"	S23566
32	Key, 3/16 x 1-1/4" (See Note 1)	S34383
69	Washer, Impeller	S06314
71	Bracket	See Table II
73	O-Ring (See Note 3)	M14943
89	Seal, Mechanical Shaft	S32014
800A	Capscrew, 3/8 - 16 x 7/8" (8 Req.)	S26825
800B	Capscrew, 3/8 - 16 x 1" (4 Req.)	S26826
805	Washer, Lock	S23036
810	Plug, Pipe 1/4" NPT (5 Req.)	S23715
815	Ring, Retaining	S11207
•	Plug, Pipe 1/8" NPT (In Bracket)	S23714

• Not illustrated.

**NOTE 1:** For an explanation of the tabulated material found on this page and for impeller key location, refer to *Supplement A* located at the beginning of this section.

**NOTE 2:** For seal flush line details, see *Supplement D*.

**NOTE 3:** Also accepts gasket S05126 as replacement for o-ring. See *Supplement E* located at the beginning of this section.





# Type "B" Single Stage Centrifugal Pump Electric Motor Drive

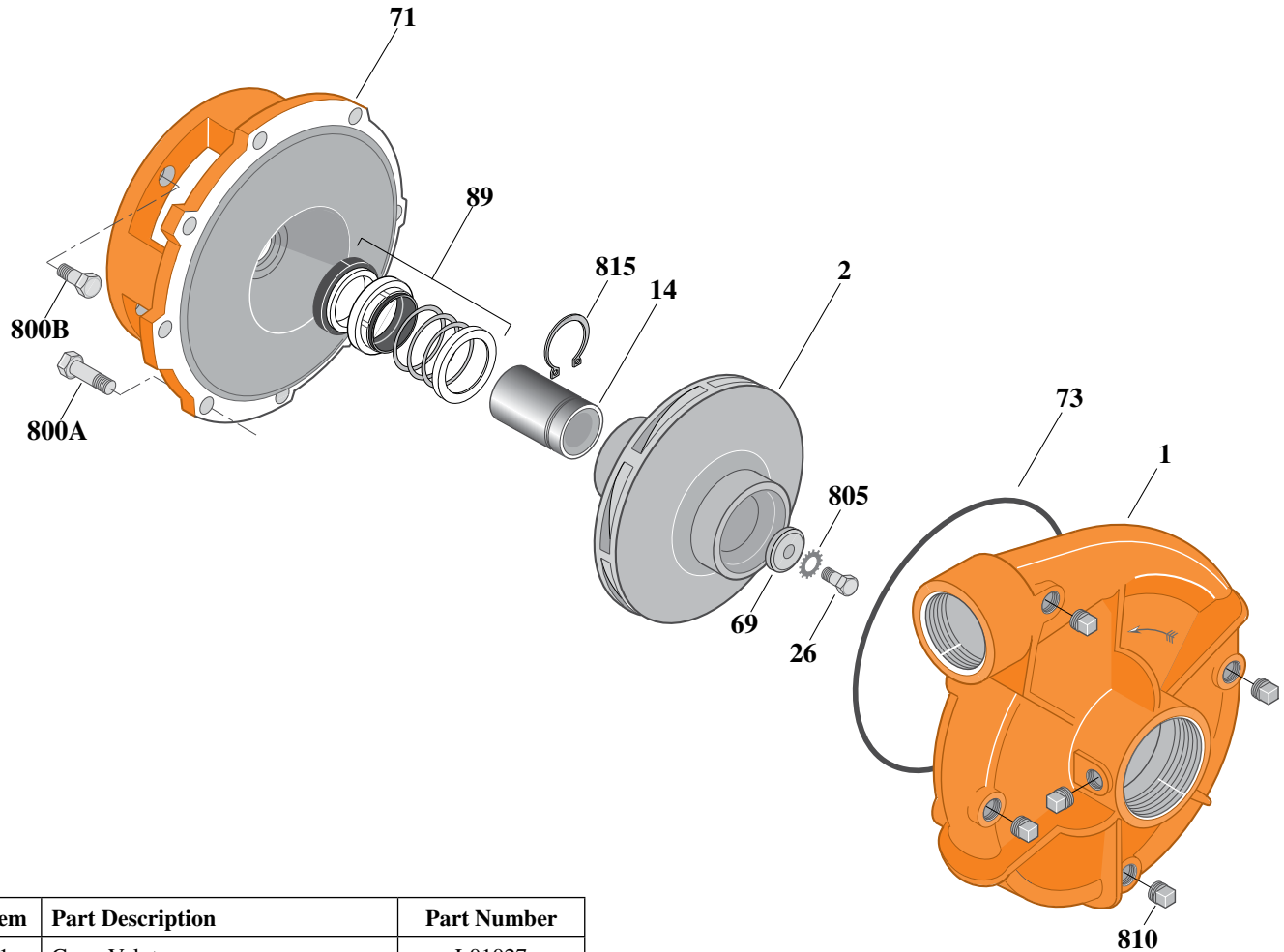
Section	CC
Page	140.9
Date	July 1, 2011
Supersedes 1/1/04	

**SILICON BRONZE IMPELLER**

**B2-1/2ZPMS**

**Threaded Case (NPT)**

**Mechanical Shaft Seal Construction**



Item	Part Description	Part Number
1	Case, Volute	L01027
2	Impeller	See Table I
14	Sleeve, Shaft	S19310L
26	Screw, Impeller 3/8 - 16 x 1"	S23566
32	Key, 3/16 x 1-1/4" (See Note 1)	S34383
69	Washer, Impeller	S06314
71	Bracket	See Table II
73	O-Ring (See Note 3)	M14943
89	Seal, Mechanical Shaft	S32014
800A	Capscrew, 3/8 - 16 x 7/8" (8 Req.)	S26825
800B	Capscrew, 1/2 - 13 x 1" (4 Req.)	S26912
805	Washer, Lock	S23036
810	Plug, Pipe 1/4" NPT (5 Req.)	S23715
815	Ring, Retaining	S11207
•	Plug, Pipe 1/8" NPT (In Bracket)	S23714

**Table I**

B/M No.	HP	PH	RPM	"U" Dim.	Imp. Dia.	Imp. No.
B74612	5	1	1800	7/8"	8.38"	L08166
B74631	7.5	1	1800	7/8"	9.00"	L08163
B74632	7.5	3	1800	7/8"	9.00"	L08163

**Table II**

HP	PH	Bracket No.	"AK" Fit	"U" Dim.	Motor Frame
5	1	L05331	8-1/2"	7/8"	213JM
7.5	1	L05331	8-1/2"	7/8"	215JM
7.5	3	L05331	8-1/2"	7/8"	213JM

**NOTE 1:** For an explanation of the tabulated material found on this page and for impeller key location, refer to *Supplement A* located at the beginning of this section.

**NOTE 2:** For seal flush line details, see *Supplement D*.

**NOTE 3:** Also accepts gasket S05126 as replacement for o-ring. See *Supplement E* located at the beginning of this section.

• Not illustrated.



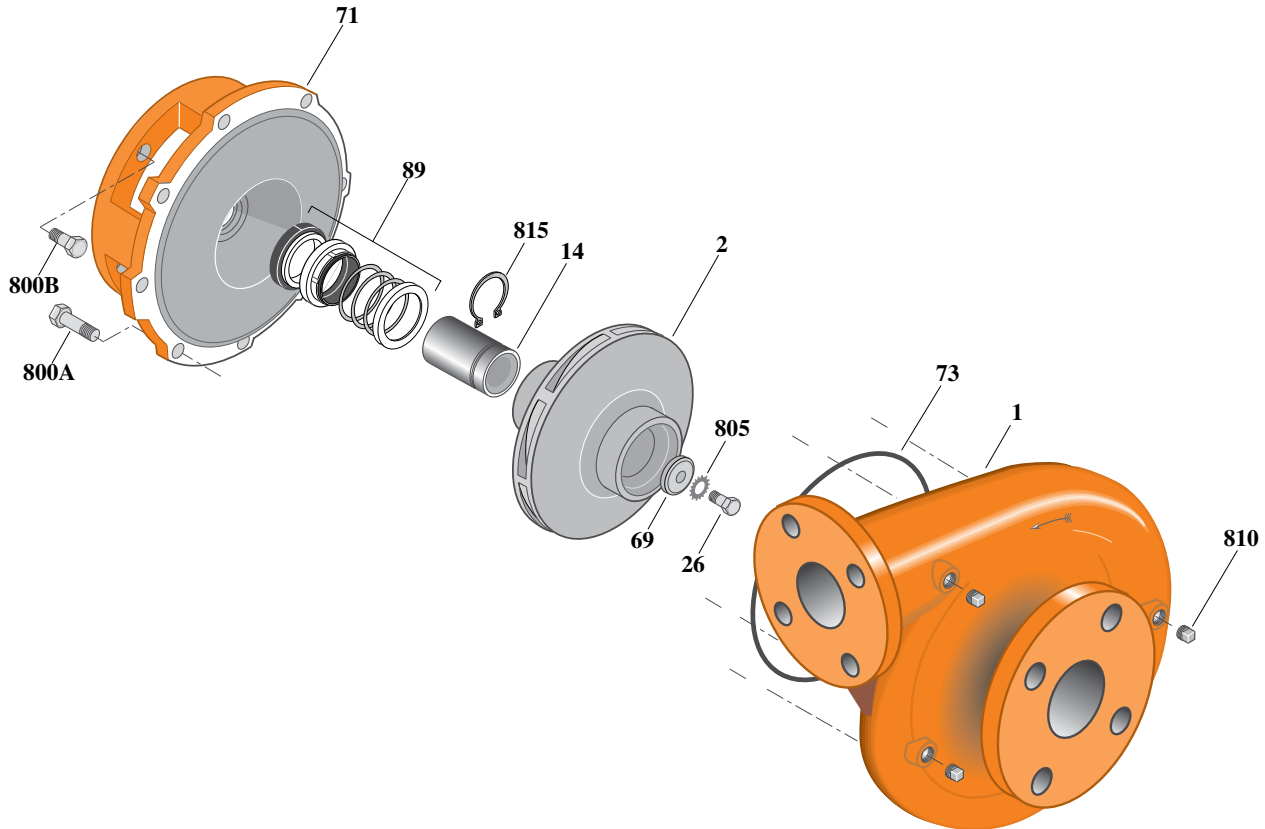
# Type "B" Single Stage Centrifugal Pump Electric Motor Drive

Section	CC
Page	140.10
Date	July 1, 2011
Supersedes 1/1/04	

## SILICON BRONZE IMPELLERB2-1/2ZPMS

### Flanged Case

### Mechanical Shaft Seal Construction



**Table I**

B/M No.	HP	PH	RPM	"U" Dim.	Imp. Dia.	Imp. No.
B74580	2	1	1800	7/8"	6.18"	L08164
B74581	2	3	1800	7/8"	6.18"	L08164
B74595	3	1	1800	7/8"	7.31"	L08165
B74596	3	3	1800	7/8"	7.31"	L08165
B74618	5	3	1800	7/8"	8.38"	L08166

**Table II**

HP	PH	Bracket No.	"AK" Fit	"U" Dim.	Motor Frame
2	1	L05332	4-1/2"	7/8"	182JM
2	3	L05332	4-1/2"	7/8"	145JM
3	1	L05332	4-1/2"	7/8"	184JM
3	3	L05332	4-1/2"	7/8"	182JM
5	3	L05332	4-1/2"	7/8"	184JM

Item	Part Description	Part Number
1	Case, Volute	H05534
2	Impeller	See Table I
14	Sleeve, Shaft	S19310L
26	Screw, Impeller 3/8 - 16 x 1"	S23566
32	Key, 3/16 x 1-1/4" (See Note 1)	S34383
69	Washer, Impeller	S06314
71	Bracket	See Table II
73	O-Ring (See Note 3)	M14943
89	Seal, Mechanical Shaft	S32014
800A	Capscrew, 3/8 - 16 x 7/8" (8 Req.)	S26825
800B	Capscrew, 3/8 - 16 x 1" (4 Req.)	S26826
805	Washer, Lock	S23036
810	Plug, Pipe 1/4" NPT (4 Req.)	S23715
815	Ring, Retaining	S11207
•	Plug, Pipe 1/8" NPT (In Bracket)	S23714

• Not illustrated.

**NOTE 1:** For an explanation of the tabulated material found on this page and for impeller key location, refer to *Supplement A* located at the beginning of this section.

**NOTE 2:** For seal flush line details, see *Supplement D*.

**NOTE 3:** Also accepts gasket S05126 as replacement for o-ring. See *Supplement E* located at the beginning of this section.



# Type "B" Single Stage Centrifugal Pump Electric Motor Drive

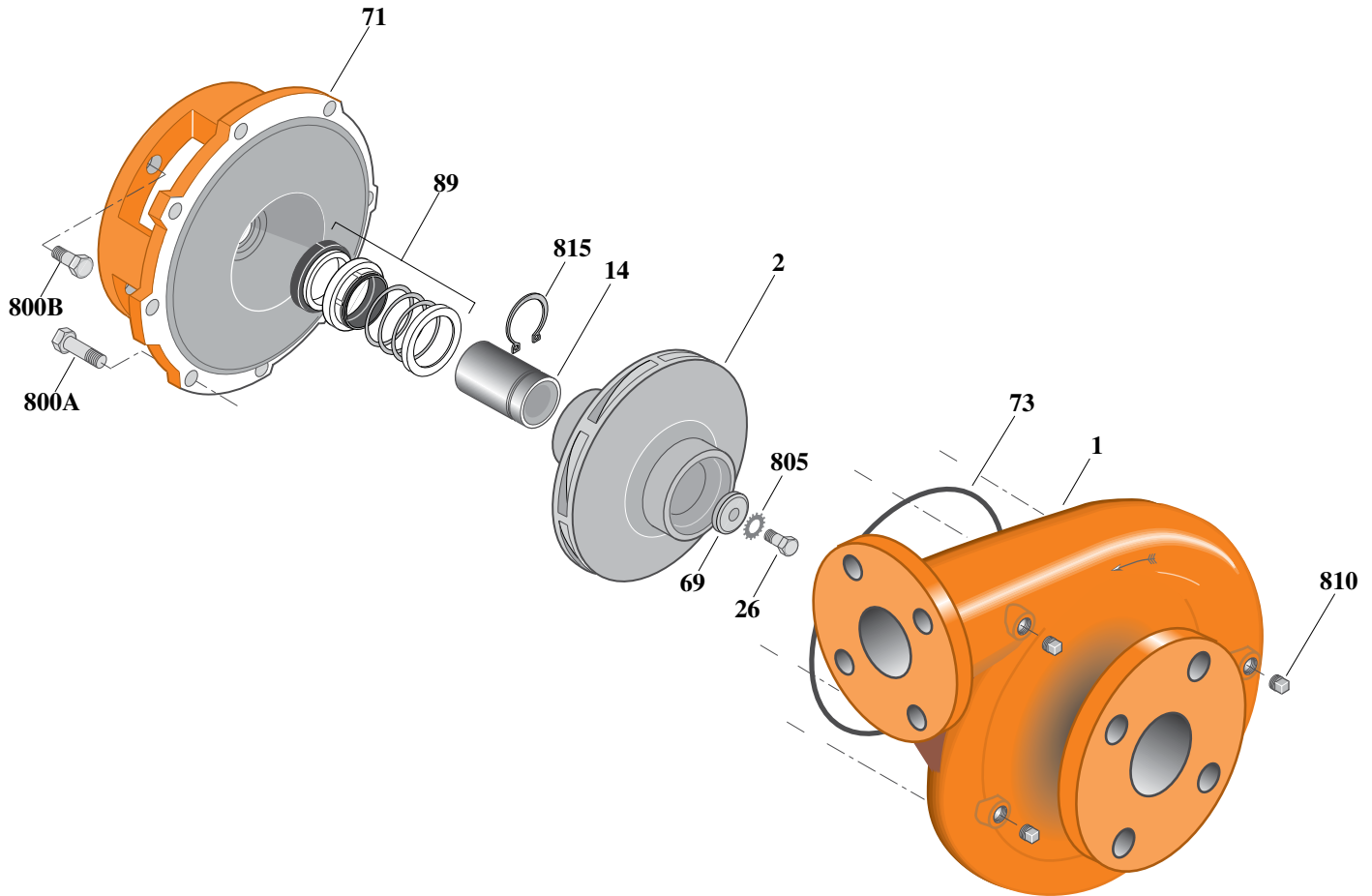
Section	CC
Page	140.11
Date	July 1, 2011
Supersedes 1/1/04	

## SILICON BRONZE IMPELLER

## B2-1/2ZPMS

### Flanged Case

### Mechanical Shaft Seal Construction



Item	Part Description	Part Number
1	Case, Volute	H05534
2	Impeller	See Table I
14	Sleeve, Shaft	S19310L
26	Screw, Impeller 3/8 - 16 x 1"	S23566
32	Key, 3/16 x 1-1/4" (See Note 1)	S34383
69	Washer, Impeller	S06314
71	Bracket	See Table II
73	O-Ring (See Note 3)	M14943
89	Seal, Mechanical Shaft	S32014
800A	Capscrew, 3/8 - 16 x 7/8" (8 Req.)	S26825
800B	Capscrew, 1/2 - 13 x 1" (4 Req.)	S26912
805	Washer, Lock	S23036
810	Plug, Pipe 1/4" NPT (4 Req.)	S23715
815	Ring, Retaining	S11207
•	Plug, Pipe 1/8" NPT (In Bracket)	S23714

• Not illustrated.

**Table I**

B/M No.	HP	PH	RPM	"U" Dim.	Imp. Dia.	Imp. No.
B74616	5	1	1800	7/8"	8.38"	L08166
B74635	7.5	1	1800	7/8"	9.00"	L08163
B74636	7.5	3	1800	7/8"	9.00"	L08163

**Table II**

HP	PH	Bracket No.	"AK" Fit	"U" Dim.	Motor Frame
5	1	L05331	8-1/2"	7/8"	213JM
7.5	1	L05331	8-1/2"	7/8"	215JM
7.5	3	L05331	8-1/2"	7/8"	213JM

**NOTE 1:** For an explanation of the tabulated material found on this page and for impeller key location, refer to *Supplement A* located at the beginning of this section.

**NOTE 2:** For seal flush line details, see *Supplement D*.

**NOTE 3:** Also accepts gasket S05126 as replacement for o-ring. See *Supplement E* located at the beginning of this section.



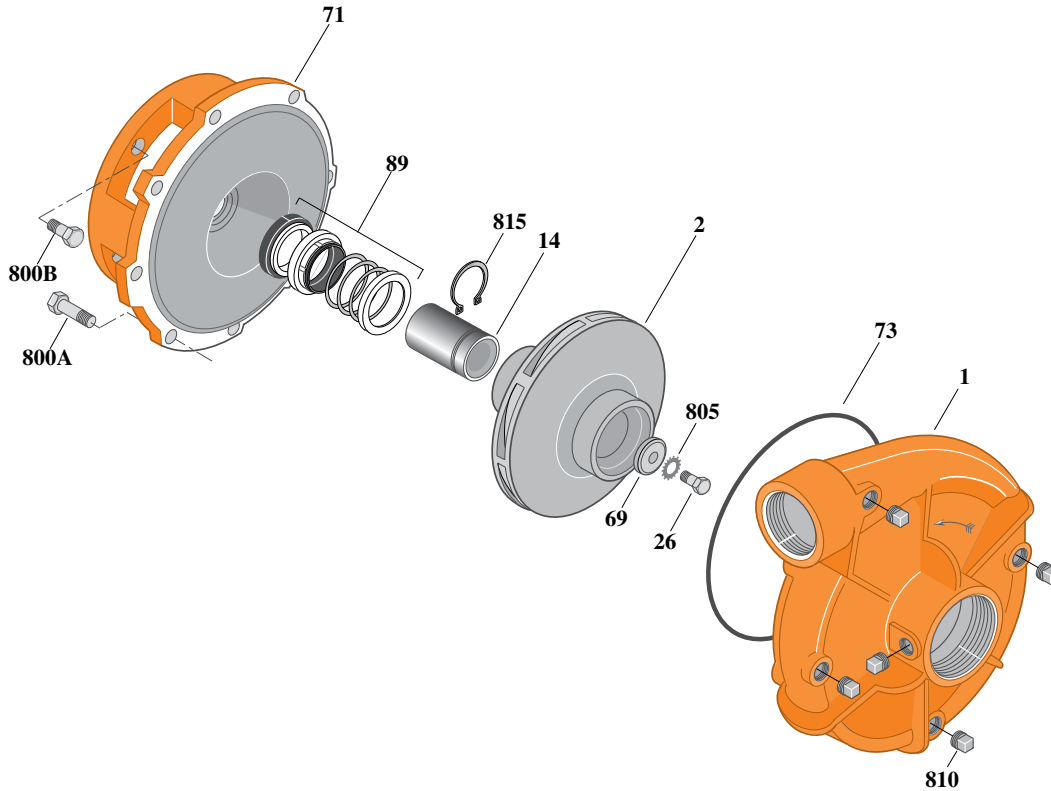
# Type "B" Single Stage Centrifugal Pump Electric Motor Drive

Section	CC
Page	140.12
Date	July 1, 2011
Supersedes 1/1/04	

## BRONZE IMPELLERB2-1/2ZPMS

### Threaded Case (NPT)

### Mechanical Shaft Seal Construction



Item	Part Description	Part Number
1	Case, Volute	L01027
2	Impeller	See Table I
14	Sleeve, Shaft	S19310L
26	Screw, Impeller 3/8 - 16 x 1"	S23566
32	Key, 3/16 x 1-1/4" (See Note 1)	S34383
69	Washer, Impeller	S06314
71	Bracket	See Table II
73	O-Ring (See Note 2)	M14943
89	Seal, Mechanical Shaft	S32014
800A	Capscrew, 3/8 - 16 x 7/8" (8 Req.)	S26825
800B	Capscrew, 3/8 - 16 x 1" (4 Req.)	S26826
805	Washer, Lock	S23036
810	Plug, Pipe 1/4 NPT (5 Req.)	S23715
815	Ring, Retaining	S11207

**NOTE 1:** For an explanation of the tabulated material found on this page and for impeller key location, refer to *Supplement A* located at the beginning of this section.  
**NOTE 2:** Also accepts gasket S05126 as replacement for o-ring. See *Supplement E* located at the beginning of this section.

**Table I**

B/M No.	HP	PH	RPM	"U" Dim.	Imp. Dia.	Imp. No.
B74569	2	1	1800	7/8"	6.18"	L08164
B74570	2	3	1800	7/8"	6.18"	L08164
B74585	3	1	1800	7/8"	7.31"	L08165
B74586	3	3	1800	7/8"	7.31"	L08165
B74600	5	1	1800	7/8"	8.38"	L08166
B74604	5	3	1800	7/8"	8.38"	L08166
B74622	7.5	1	1800	7/8"	9.00"	L08190
B74623	7.5	3	1800	7/8"	9.00"	L08190

**Table II**

HP	PH	Bracket No.	"AK" Fit	"U" Dim.	Motor Frame
2	1	L05332	4-1/2"	7/8"	182JM
2	3	L05332	4-1/2"	7/8"	145JM
3	1	L05332	4-1/2"	7/8"	184JM
3	3	L05332	4-1/2"	7/8"	182JM
5	1	L05331	8-1/2"	7/8"	213JM
5	3	L05332	4-1/2"	7/8"	184JM
7.5	1	L05331	8-1/2"	7/8"	215JM
7.5	3	L05331	8-1/2"	7/8"	213JM



# Type "B" Single Stage Centrifugal Pump Electric Motor Drive

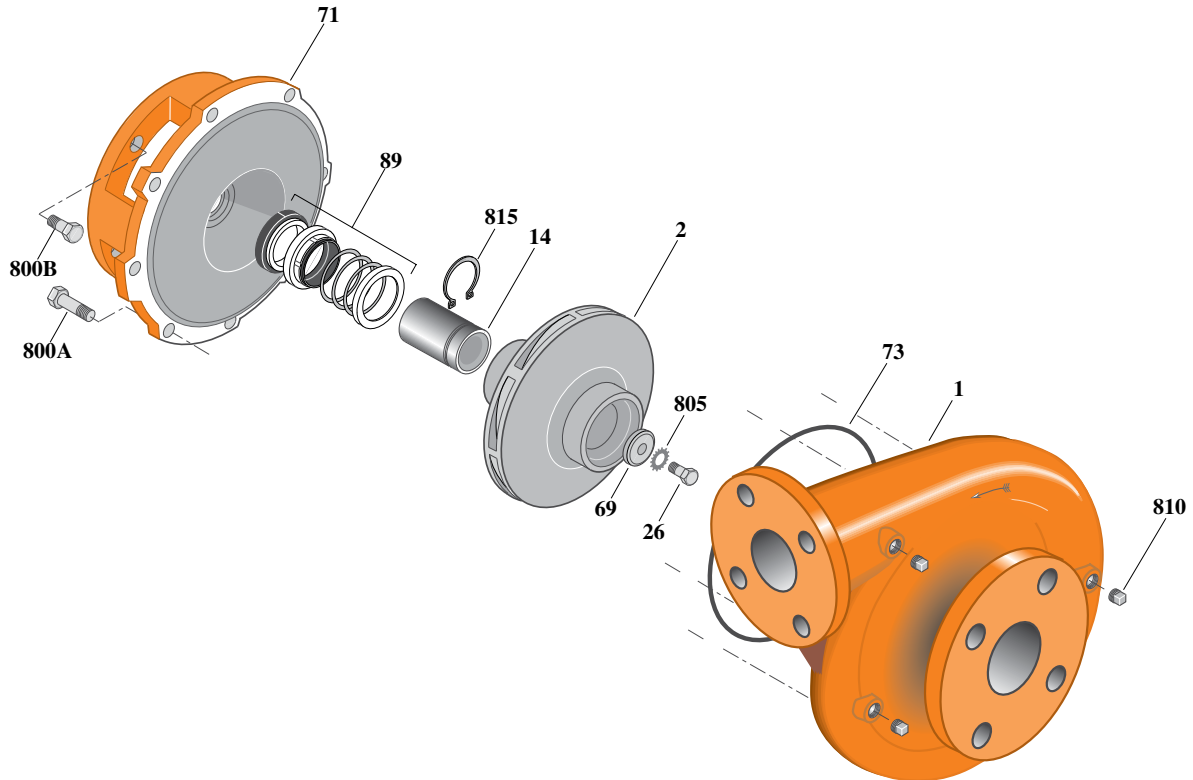
Section	CC
Page	140.13
Date	July 1, 2011
Supersedes 1/1/04	

## BRONZE IMPELLER

## B2-1/2ZPMS

### Flanged Case

### Mechanical Shaft Seal Construction



Item	Part Description	Part Number
1	Case, Volute	H05534
2	Impeller	See Table I
14	Sleeve, Shaft	S19310L
26	Screw, Impeller 3/8 - 16 x 1"	S23566
32	Key, 3/16 x 1-1/4" (See Note 1)	S34383
69	Washer, Impeller	S06314
71	Bracket	See Table II
73	O-Ring (See Note 2)	M14943
89	Seal, Mechanical Shaft	S32014
800A	Capscrew, 3/8 - 16 x 7/8" (8 Req.)	S26825
800B	Capscrew, 3/8 - 16 x 1" (4 Req.)	S26826
805	Washer, Lock	S23036
810	Plug, Pipe 1/4 NPT (5 Req.)	S23715
815	Ring, Retaining	S11207

**NOTE 1:** For an explanation of the tabulated material found on this page and for impeller key location, refer to *Supplement A* located at the beginning of this section.

**NOTE 2:** Also accepts gasket S05126 as replacement for o-ring. See *Supplement E* located at the beginning of this section.

**Table I**

B/M No.	HP	PH	RPM	"U" Dim.	Imp. Dia.	Imp. No.
B74574	2	1	1800	7/8"	6.18"	L08164
B74575	2	3	1800	7/8"	6.18"	L08164
B74589	3	1	1800	7/8"	7.31"	L08165
B74590	3	3	1800	7/8"	7.31"	L08165
B74607	5	1	1800	7/8"	8.38"	L08166
B74610	5	3	1800	7/8"	8.38"	L08166
B74626	7.5	1	1800	7/8"	9.00"	L08190
B74627	7.5	3	1800	7/8"	9.00"	L08190

**Table II**

HP	PH	Bracket No.	"AK" Fit	"U" Dim.	Motor Frame
2	1	L05332	4-1/2"	7/8"	182JM
2	3	L05332	4-1/2"	7/8"	145JM
3	1	L05332	4-1/2"	7/8"	184JM
3	3	L05332	4-1/2"	7/8"	182JM
5	1	L05331	8-1/2"	7/8"	213JM
5	3	L05332	4-1/2"	7/8"	184JM
7.5	1	L05331	8-1/2"	7/8"	215JM
7.5	3	L05331	8-1/2"	7/8"	213JM