



TYPE "B" SINGLE STAGE CENTRIFUGAL PUMP Electric Motor Drive

Section	CC
Page	10.1
Date	January 1, 2004
Supersedes 6/1/95	

BRONZE IMPELLER

B1WP

Threaded Case (NPT)

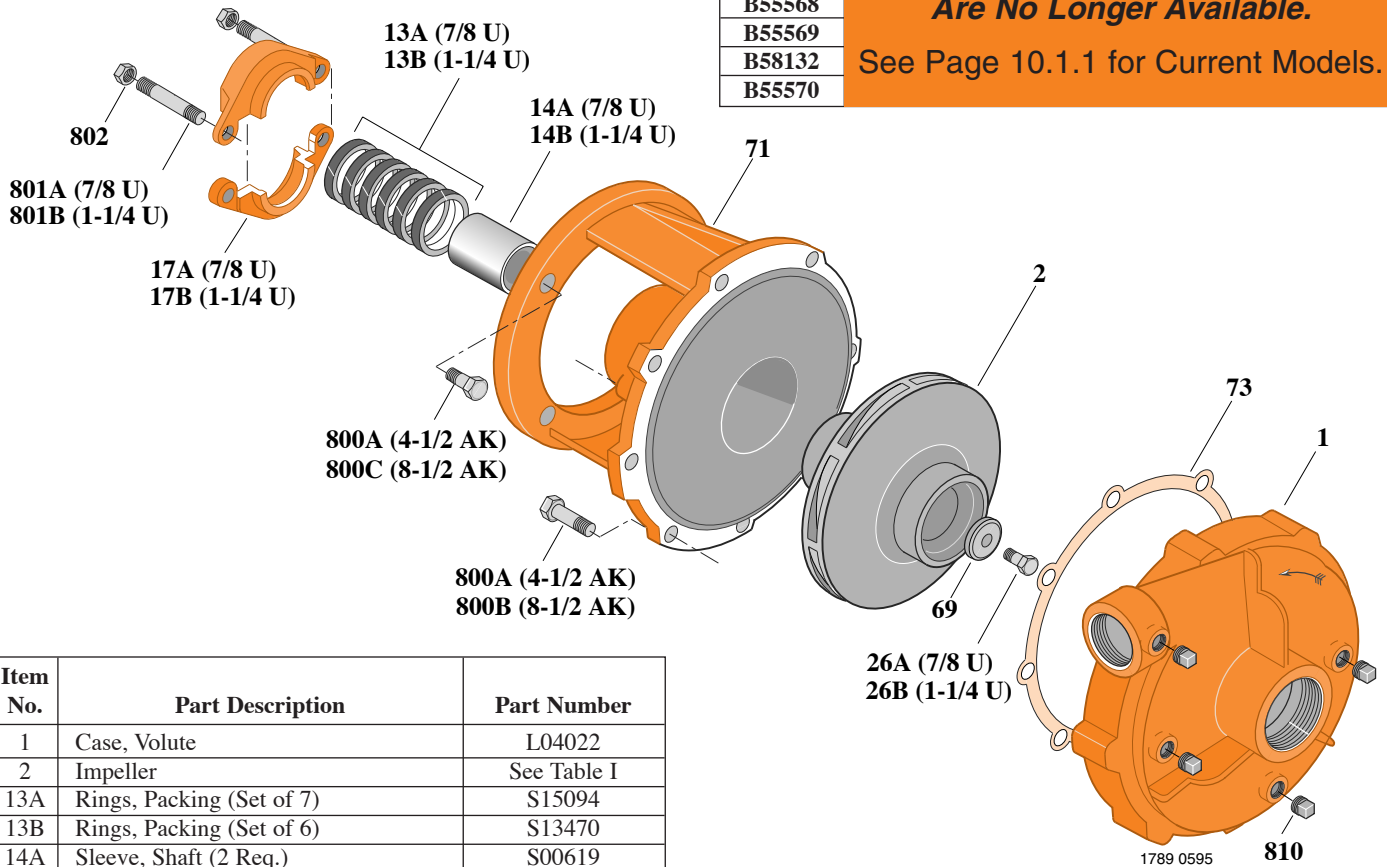
Packing Construction

TABLE I

B/M No.	HP	PH	RPM	"U" Dim.	Imp. Dia.	Imp. No.
B55567						
B53697						
B55568						
B55569						
B58132						
B55570						

**These B/M Numbers
Are No Longer Available.**

See Page 10.1.1 for Current Models.



Item No.	Part Description	Part Number
1	Case, Volute	L04022
2	Impeller	See Table I
13A	Rings, Packing (Set of 7)	S15094
13B	Rings, Packing (Set of 6)	S13470
14A	Sleeve, Shaft (2 Req.)	S00619
14B	Sleeve, Shaft	S05149
17A	Gland, Packing	B82469
17B	Gland, Packing	B82470
26A	Screw, Impeller 3/8 - 16 x 1"	S23566
26B	Screw, Impeller 1/2 - 13 x 1-1/4"	S23621
32	Key, 3/16 x 1-1/4" (See Note)	S34383
69	Washer, Impeller	S16239
71	Bracket	See Table II
73	Gasket, Volute	S05126
800A	Capscrew, 3/8 - 16 x 1" (12 Req.)	S26826
800B	Capscrew, 3/8 - 16 x 1-1/8" (8 Req.)	S26827
800C	Capscrew, 1/2 - 13 x 1-1/2" (4 Req.)	S26916
801A	Stud, 3/8 - 16 x 3" (2 Req.)	S04439
801B	Stud, 3/8 - 16 x 4" (2 Req.)	S08303
802	Nut, Hex 3/8 - 16 (2 Req.)	S23343
810	Plug, Pipe 1/4 NPT (4 Req.)	S23715

TABLE II

HP	PH	Bracket No.	"AK" Fit	"U" Dim.	Motor Frame
3	1	H00950	4-1/2"	7/8"	182JP
3	3	H00950	4-1/2"	7/8"	154JP
5	1	H00950	4-1/2"	7/8"	184JP
5	3	H00950	4-1/2"	7/8"	182JP
7.5	1	L03827	8-1/2"	1-1/4"	213JP
7.5	3	H00950	4-1/2"	7/8"	184JP

NOTE: For an explanation of the tabulated material found on this page and for impeller key location, refer to *Supplement A* located at the beginning of this section.



TYPE "B" SINGLE STAGE CENTRIFUGAL PUMP Electric Motor Drive

Section	CC
Page	10.1.1
Date	January 1, 2004
Supersedes/New	

BRONZE IMPELLER

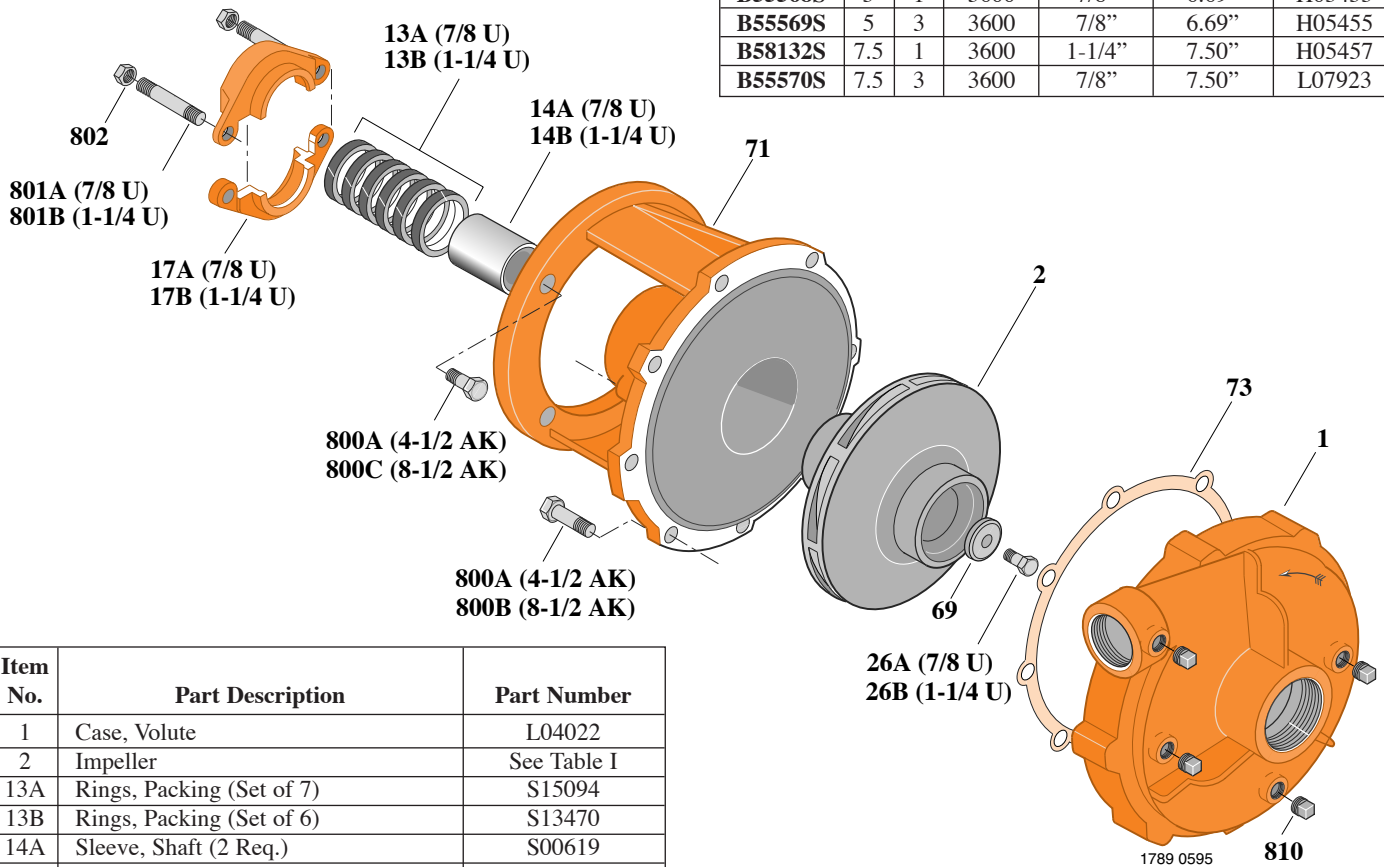
B1WP

Threaded Case (NPT)

Packing Construction

TABLE I

B/M No.	HP	PH	RPM	"U" Dim.	Imp. Dia.	Imp. No.
B55567S	3	1	3600	7/8"	5.75"	H05454
B53697S	3	3	3600	7/8"	5.75"	H05454
B55568S	5	1	3600	7/8"	6.69"	H05455
B55569S	5	3	3600	7/8"	6.69"	H05455
B58132S	7.5	1	3600	1-1/4"	7.50"	H05457
B55570S	7.5	3	3600	7/8"	7.50"	L07923



Item No.	Part Description	Part Number
1	Case, Volute	L04022
2	Impeller	See Table I
13A	Rings, Packing (Set of 7)	S15094
13B	Rings, Packing (Set of 6)	S13470
14A	Sleeve, Shaft (2 Req.)	S00619
14B	Sleeve, Shaft	S05149
17A	Gland, Packing	B82469
17B	Gland, Packing	B82470
26A	Screw, Impeller 3/8 - 16 x 1"	S23566
26B	Screw, Impeller 1/2 - 13 x 1-1/4"	S23621
32	Key, 3/16 x 1-1/4" (See Note)	S34383
69	Washer, Impeller	S16239
71	Bracket	See Table II
73	Gasket, Volute	S05126
800A	Capscrew, 3/8 - 16 x 1" (12 Req.)	S26826
800B	Capscrew, 3/8 - 16 x 1-1/8" (8 Req.)	S26827
800C	Capscrew, 1/2 - 13 x 1-1/2" (4 Req.)	S26916
801A	Stud, 3/8 - 16 x 3" (2 Req.)	S04439
801B	Stud, 3/8 - 16 x 4" (2 Req.)	S08303
802	Nut, Hex 3/8 - 16 (2 Req.)	S23343
810	Plug, Pipe 1/4 NPT (4 Req.)	S23715

TABLE II

HP	PH	Bracket No.	"AK" Fit	"U" Dim.	Motor Frame
3	1	H00950	4-1/2"	7/8"	182JP
3	3	H00950	4-1/2"	7/8"	154JP
5	1	H00950	4-1/2"	7/8"	184JP
5	3	H00950	4-1/2"	7/8"	182JP
7.5	1	L03827	8-1/2"	1-1/4"	213JP
7.5	3	H00950	4-1/2"	7/8"	184JP

NOTE: For an explanation of the tabulated material found on this page and for impeller key location, refer to *Supplement A* located at the beginning of this section.



TYPE "B" SINGLE STAGE CENTRIFUGAL PUMP Electric Motor Drive

Section	CC
Page	10.2
Date	May 15, 2009
Supersedes 1/1/04	

BRONZE IMPELLER

B1WPS

Threaded Case (NPT)

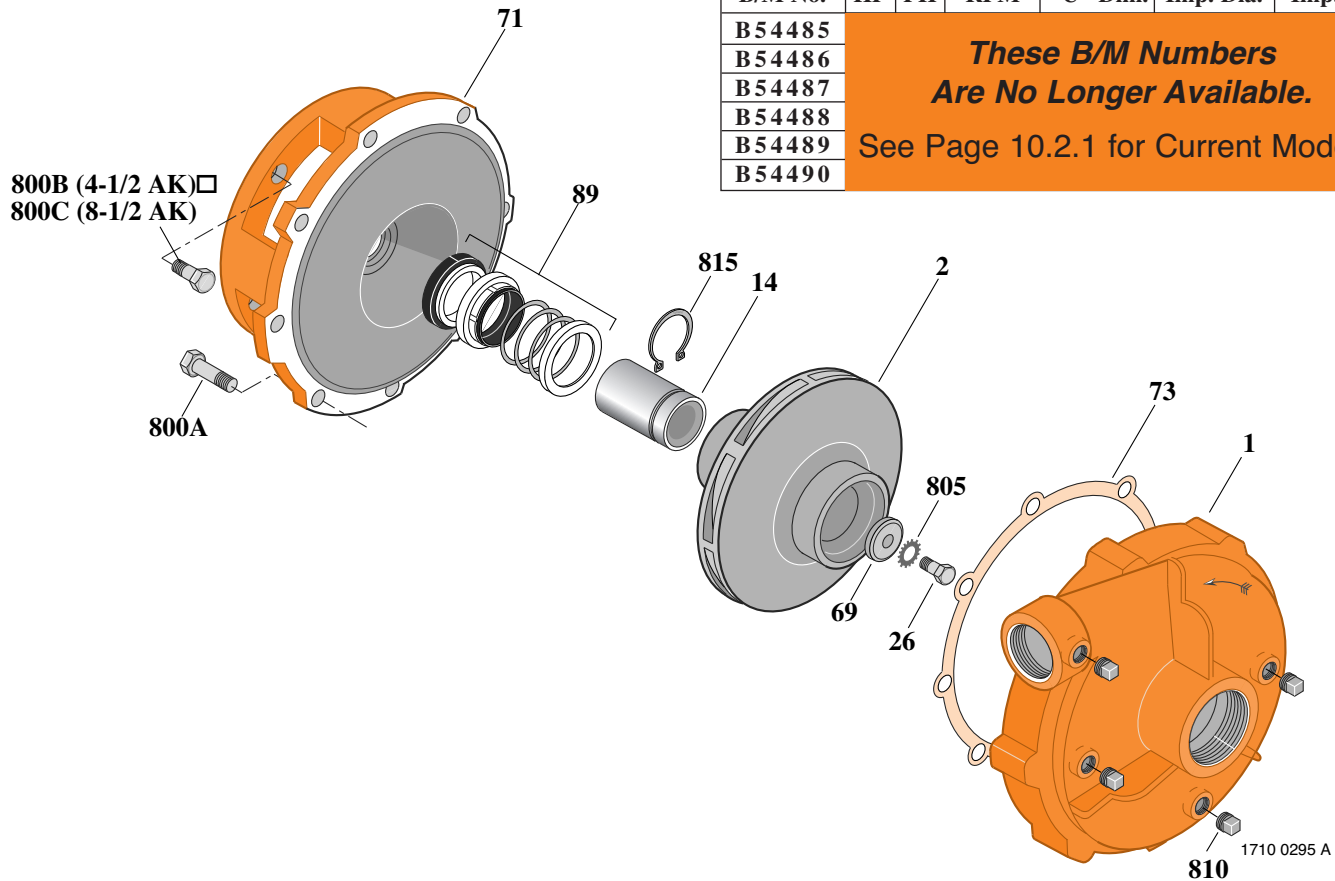
Mechanical Shaft Seal Construction

TABLE I

B/M No.	HP	PH	RPM	"U" Dim.	Imp. Dia.	Imp. No.
B 54485						
B 54486						
B 54487						
B 54488						
B 54489						
B 54490						

**These B/M Numbers
Are No Longer Available.**

See Page 10.2.1 for Current Models.



Item No.	Part Description	Part Number
1	Case, Volute	L04022
2	Impeller	See Table I
14	Sleeve, Shaft (See Note 2)	S19310L
26	Screw, Impeller 3/8 - 16 x 1"	S23566
32	Key, 3/16 x 1-1/4" (See Note 1)	S34383
69	Washer, Impeller	S16239
71	Bracket	See Table II
73	Gasket, Volute	S05126
89	Seal, Mechanical Shaft	S32014
800A	Capscrew, 3/8 - 16 x 1" (8 Req.)	S26826
800B	Capscrew, 3/8 - 16 x 7/8" (4 Req.)	S26825
800C	Capscrew, 1/2 - 13 x 1" (4 Req.)	S26192
810	Plug, Pipe 1/4 NPT (4 Req.)	S23715
815	Ring, Retaining	S11207

TABLE II

HP	PH	Bracket No.	"AK" Fit	"U" Dim.	Motor Frame
3	1	L05332	4-1/2"	7/8"	182JM
3	3	L05332	4-1/2"	7/8"	154JM
5	1	L05332	4-1/2"	7/8"	184JM
5	3	L05332	4-1/2"	7/8"	182JM
7.5	1	L05331	8-1/2"	7/8"	213JM
7.5	3	L05332	4-1/2"	7/8"	184JM

NOTE 1: For an explanation of the tabulated material found on this page and for impeller key location, refer to **Supplement A** located at the beginning of this section.

NOTE 2: Sleeve replacement kit available. Berkeley part number B85681 includes the shaft sleeve, adhesive compound and instruction sheet.



TYPE "B" SINGLE STAGE CENTRIFUGAL PUMP Electric Motor Drive

Section	CC
Page	10.2.1
Date	May 15, 2009
Supersedes 1/1/04	

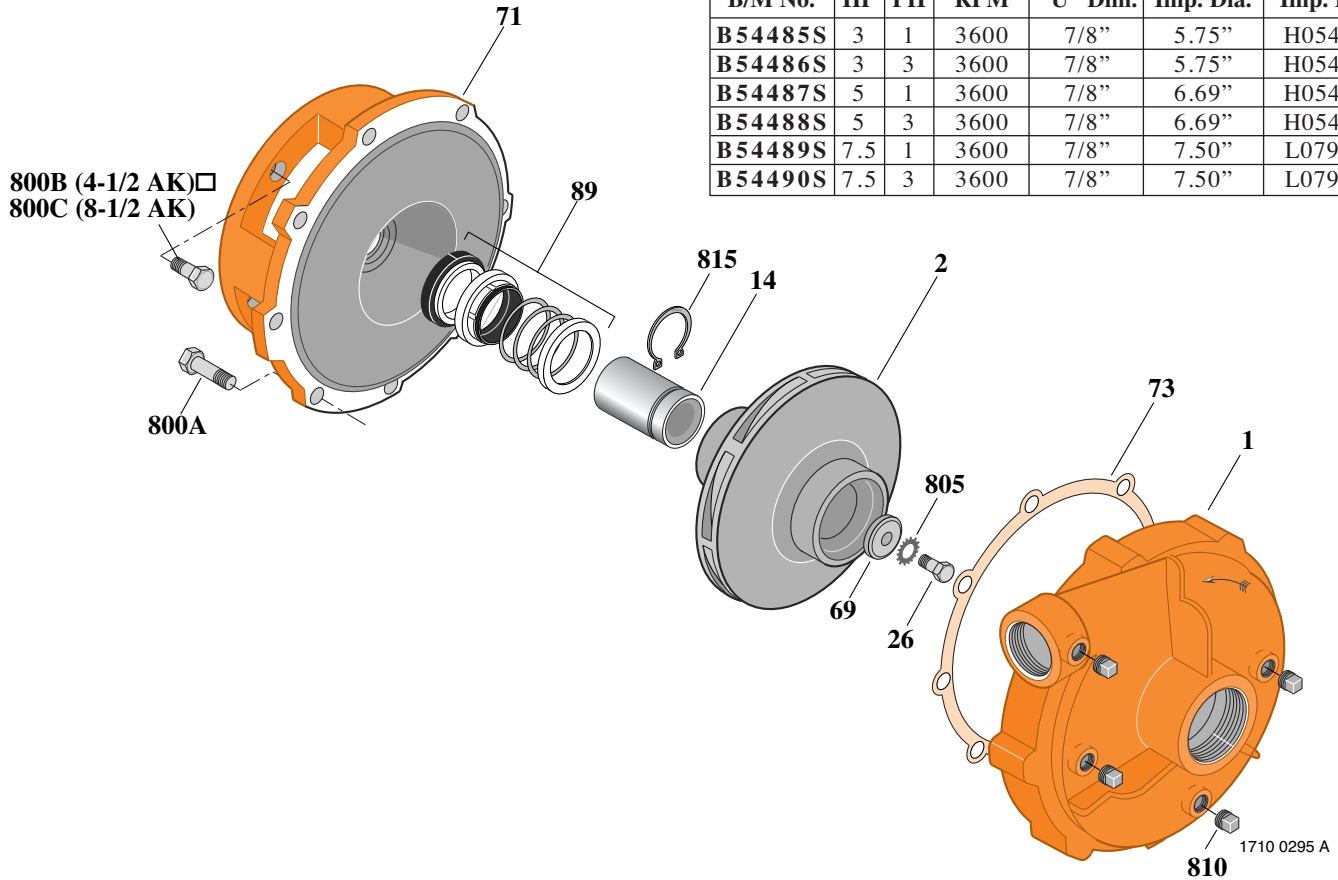
BRONZE IMPELLER B1WPS

Threaded Case (NPT)

Mechanical Shaft Seal Construction

TABLE I

B/M No.	HP	PH	RPM	"U" Dim.	Imp. Dia.	Imp. No.
B54485S	3	1	3600	7/8"	5.75"	H05454
B54486S	3	3	3600	7/8"	5.75"	H05454
B54487S	5	1	3600	7/8"	6.69"	H05455
B54488S	5	3	3600	7/8"	6.69"	H05455
B54489S	7.5	1	3600	7/8"	7.50"	L07923
B54490S	7.5	3	3600	7/8"	7.50"	L07923



Item No.	Part Description	Part Number
1	Case, Volute	L04022
2	Impeller	See Table I
14	Sleeve, Shaft (See Note 2)	S19310L
26	Screw, Impeller 3/8 - 16 x 1"	S23566
32	Key, 3/16 x 1-1/4" (See Note 1)	S34383
69	Washer, Impeller	S16239
71	Bracket	See Table II
73	Gasket, Volute	S05126
89	Seal, Mechanical Shaft	S32014
800A	Capscrew, 3/8 - 16 x 1" (8 Req.)	S26826
800B	Capscrew, 3/8 - 16 x 7/8" (4 Req.)	S26825
800C	Capscrew, 1/2 - 13 x 1" (4 Req.)	S26192
810	Plug, Pipe 1/4 NPT (4 Req.)	S23715
815	Ring, Retaining	S11207

TABLE II

HP	PH	Bracket No.	"AK" Fit	"U" Dim.	Motor Frame
3	1	L05332	4-1/2"	7/8"	182JM
3	3	L05332	4-1/2"	7/8"	154JM
5	1	L05332	4-1/2"	7/8"	184JM
5	3	L05332	4-1/2"	7/8"	182JM
7.5	1	L05331	8-1/2"	7/8"	213JM
7.5	3	L05332	4-1/2"	7/8"	184JM

NOTE 1: For an explanation of the tabulated material found on this page and for impeller key location, refer to *Supplement A* located at the beginning of this section.

NOTE 2: Sleeve replacement kit available. Berkeley part number B85681 includes the shaft sleeve, adhesive compound and instruction sheet.



TYPE "B" SINGLE STAGE CENTRIFUGAL PUMP Electric Motor Drive

Section	CC
Page	10.3
Date	September 1, 1995
Supersedes/New	

SILICON BRONZE IMPELLER

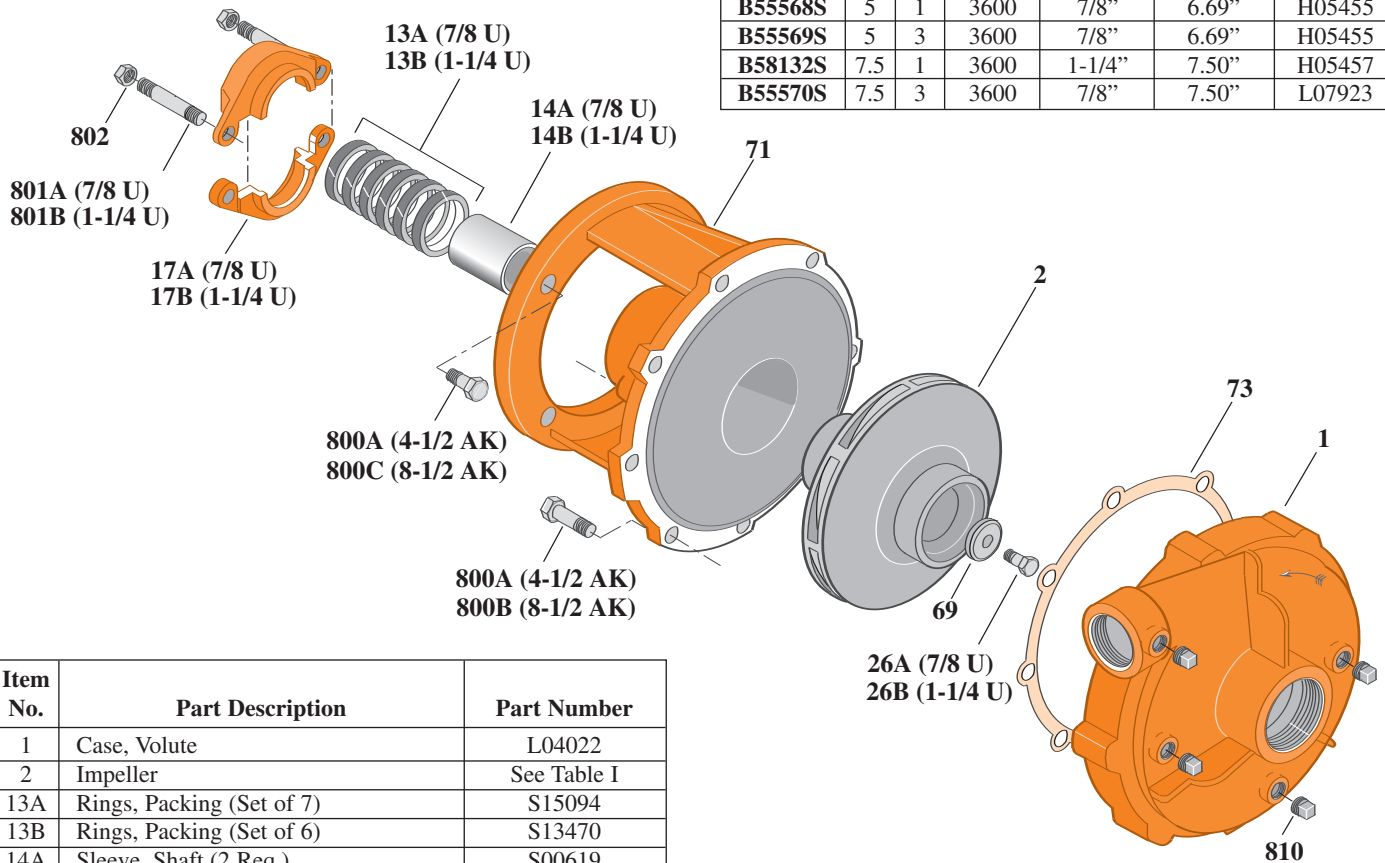
B1WP

Threaded Case (NPT)

Packing Construction

TABLE I

B/M No.	HP	PH	RPM	"U" Dim.	Imp. Dia.	Imp. No.
B55567S	3	1	3600	7/8"	5.75"	H05454
B53697S	3	3	3600	7/8"	5.75"	H05454
B55568S	5	1	3600	7/8"	6.69"	H05455
B55569S	5	3	3600	7/8"	6.69"	H05455
B58132S	7.5	1	3600	1-1/4"	7.50"	H05457
B55570S	7.5	3	3600	7/8"	7.50"	L07923



Item No.	Part Description	Part Number
1	Case, Volute	L04022
2	Impeller	See Table I
13A	Rings, Packing (Set of 7)	S15094
13B	Rings, Packing (Set of 6)	S13470
14A	Sleeve, Shaft (2 Req.)	S00619
14B	Sleeve, Shaft	S05149
17A	Gland, Packing	S00393
17B	Gland, Packing	S12034
26A	Screw, Impeller 3/8 - 16 x 1"	S23566
26B	Screw, Impeller 1/2 - 13 x 1-1/4"	S23621
32	Key, 3/16 x 1-1/4" (See Note)	S34383
69	Washer, Impeller	S16239
71	Bracket	See Table II
73	Gasket, Volute	S05126
800A	Capscrew, 3/8 - 16 x 1" (12 Req.)	S26826
800B	Capscrew, 3/8 - 16 x 1" (8 Req.)	S26826
800C	Capscrew, 1/2 - 13 x 1-1/2" (4 Req.)	S26916
801A	Stud, 3/8 - 16 x 3" (2 Req.)	S004439
801B	Stud, 3/8 - 16 x 4" (2 Req.)	S08303
802	Nut, Hex 3/8 - 16 (2 Req.)	S23343
810	Plug, Pipe 1/4 NPT (4 Req.)	S23715

TABLE II

HP	PH	Bracket No.	"AK" Fit	"U" Dim.	Motor Frame
3	1	H00950	4-1/2"	7/8"	182JP
3	3	H00950	4-1/2"	7/8"	154JP
5	1	H00950	4-1/2"	7/8"	184JP
5	3	H00950	4-1/2"	7/8"	182JP
7.5	1	L03827	8-1/2"	1-1/4"	213JP
7.5	3	H00950	4-1/2"	7/8"	184JP

NOTE: For an explanation of the tabulated material found on this page and for impeller key location, refer to *Supplement A* located at the beginning of this section.



TYPE "B" SINGLE STAGE CENTRIFUGAL PUMP Electric Motor Drive

Section	CC
Page	10.4
Date	September 1, 1995
Supersedes/New	

SILICON BRONZE IMPELLER B1WPS

Threaded Case (NPT)

Mechanical Shaft Seal Construction

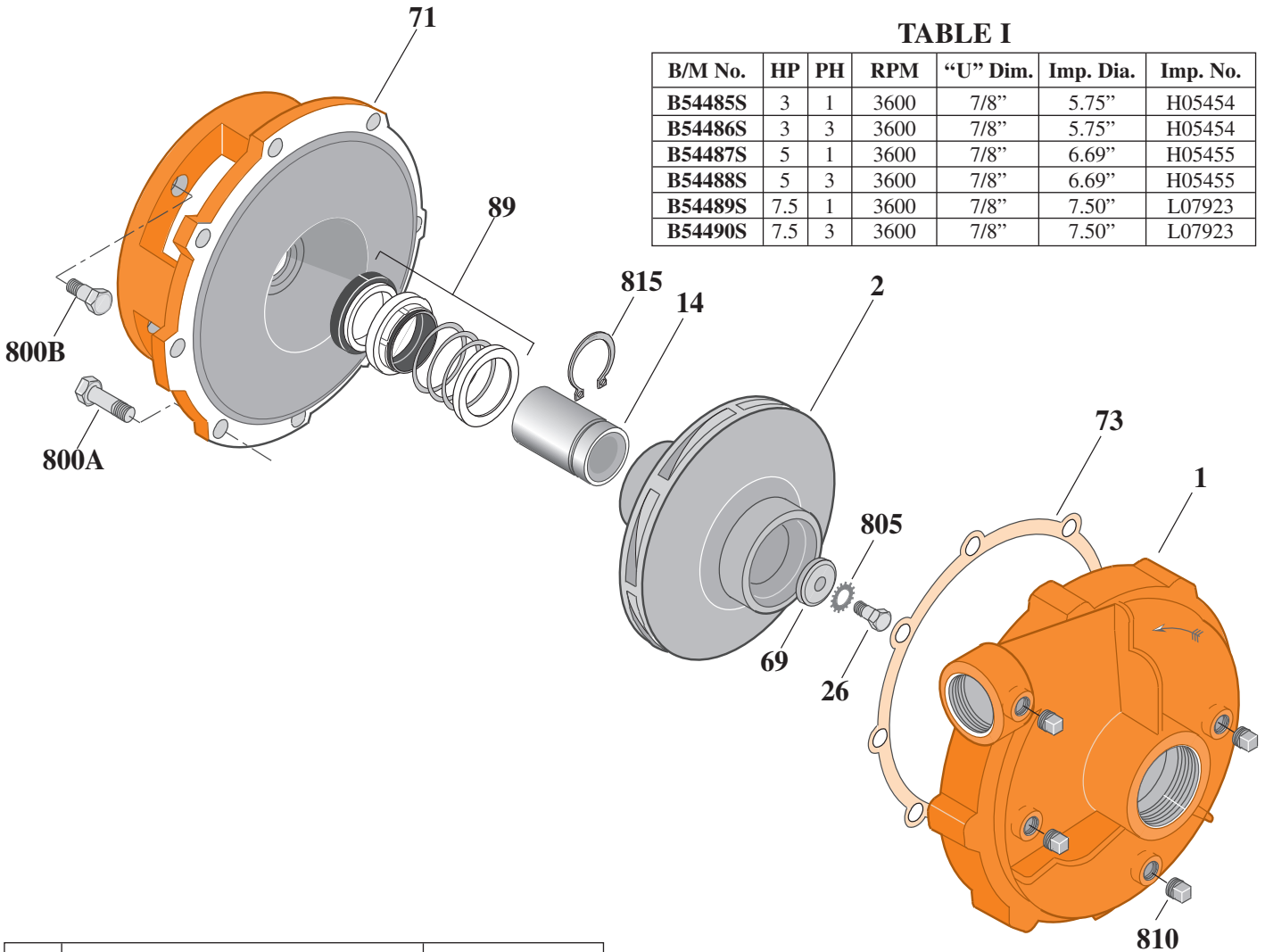


TABLE I

B/M No.	HP	PH	RPM	"U" Dim.	Imp. Dia.	Imp. No.
B54485S	3	1	3600	7/8"	5.75"	H05454
B54486S	3	3	3600	7/8"	5.75"	H05454
B54487S	5	1	3600	7/8"	6.69"	H05455
B54488S	5	3	3600	7/8"	6.69"	H05455
B54489S	7.5	1	3600	7/8"	7.50"	L07923
B54490S	7.5	3	3600	7/8"	7.50"	L07923

Item No.	Part Description	Part Number
1	Case, Volute	L04022
2	Impeller	See Table I
14	Sleeve, Shaft	S19310
26	Screw, Impeller 3/8 - 16 x 1"	S23566
32	Key, 3/16 x 1-1/4" (See Note)	S34383
69	Washer, Impeller	S16239
71	Bracket	See Table II
73	Gasket, Volute	S05126
89	Seal, Mechanical Shaft	S32014
800A	Capscrew, 3/8 - 16 x 1" (8 Req.)	S26826
800B	Capscrew, 3/8 - 16 x 7/8" (4 Req.)	S26825
810	Plug, Pipe 1/4 NPT (4 Req.)	S23715
815	Ring, Retaining	S11207

TABLE II

HP	PH	Bracket No.	"AK" Fit	"U" Dim.	Motor Frame
3	1	L05332	4-1/2"	7/8"	182JM
3	3	L05332	4-1/2"	7/8"	154JM
5	1	L05332	4-1/2"	7/8"	184JM
5	3	L05332	4-1/2"	7/8"	182JM
7.5	1	L05331	8-1/2"	7/8"	213JM
7.5	3	L05332	4-1/2"	7/8"	184JM

NOTE: For an explanation of the tabulated material found on this page and for impeller key location, refer to *Supplement A* located at the beginning of this section.