



# TYPE "B" SINGLE STAGE CENTRIFUGAL PUMP Electric Motor Drive

Section	CC
Page	60.1
Date	January 1, 2004
Supersedes 6/1/95	

## SILICON BRONZE IMPELLER

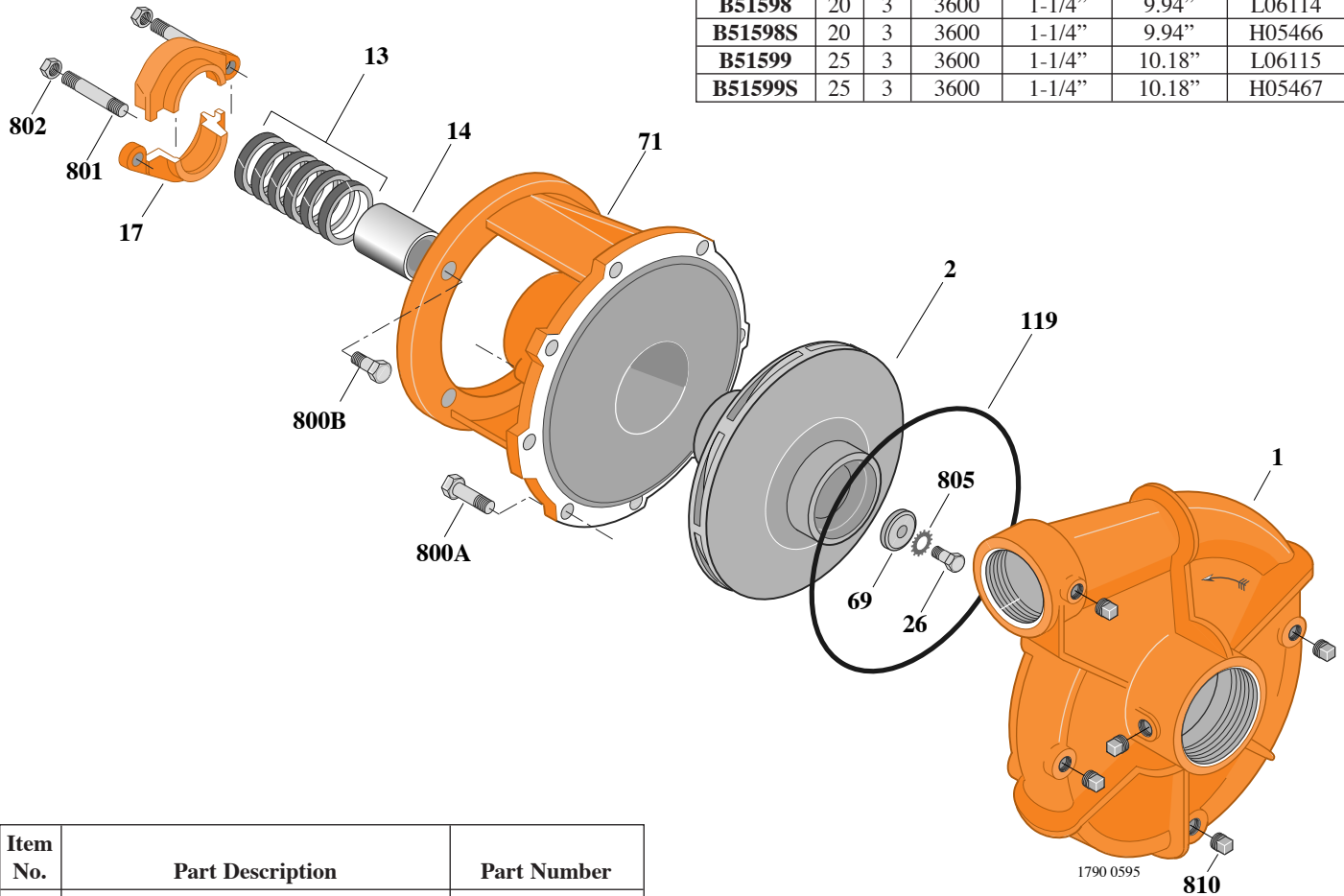
## B1-1/2EPL

Threaded Case (NPT)

Packing Construction

**TABLE I**

B/M No.	HP	PH	RPM	"U" Dim.	Imp. Dia.	Imp. No.
B51598	20	3	3600	1-1/4"	9.94"	L06114
B51598S	20	3	3600	1-1/4"	9.94"	H05466
B51599	25	3	3600	1-1/4"	10.18"	L06115
B51599S	25	3	3600	1-1/4"	10.18"	H05467



Item No.	Part Description	Part Number
1	Case, Volute	L03093
2	Impeller	See Table I
13	Rings, Packing (Set of 6)	S13470
14	Sleeve, Shaft	S05149
17	Gland, Packing	B82470
26	Screw, Impeller 1/2 - 13 x 1"	S23619
32	Key, 1/4 x 2-1/4" (See Note)	S23677
69	Washer, Impeller	S12475
71	Bracket	See Table II
119	O-Ring	S13760
800A	Capscrew, 1/2 - 13 x 1-1/4" (4 Req.)	S26914
800B	Capscrew, 1/2 - 13 x 1" (8 Req.)	S26912
801	Stud, 3/8 - 16 x 2-1/2" (2 Req.)	S04438
802	Nut, Hex 3/8 - 16 (2 Req.)	S23343
805	Washer, Lock	S23038
810	Plug, Pipe 1/4 NPT (5 Req.)	S23715

**TABLE II**

HP	PH	Bracket No.	"AK" Fit	"U" Dim.	Motor Frame
20	3	L03637	8-1/2"	1-1/4"	254JP
25	3	L03637	8-1/2"	1-1/4"	256JP

**NOTE:** For an explanation of the tabulated material found on this page and for impeller key location, refer to *Supplement A* located at the beginning of this section.



# TYPE "B" SINGLE STAGE CENTRIFUGAL PUMP Electric Motor Drive

Section	CC
Page	60.2
Date	January 1, 2004
Supersedes 6/1/1995	

**BRONZE IMPELLER**

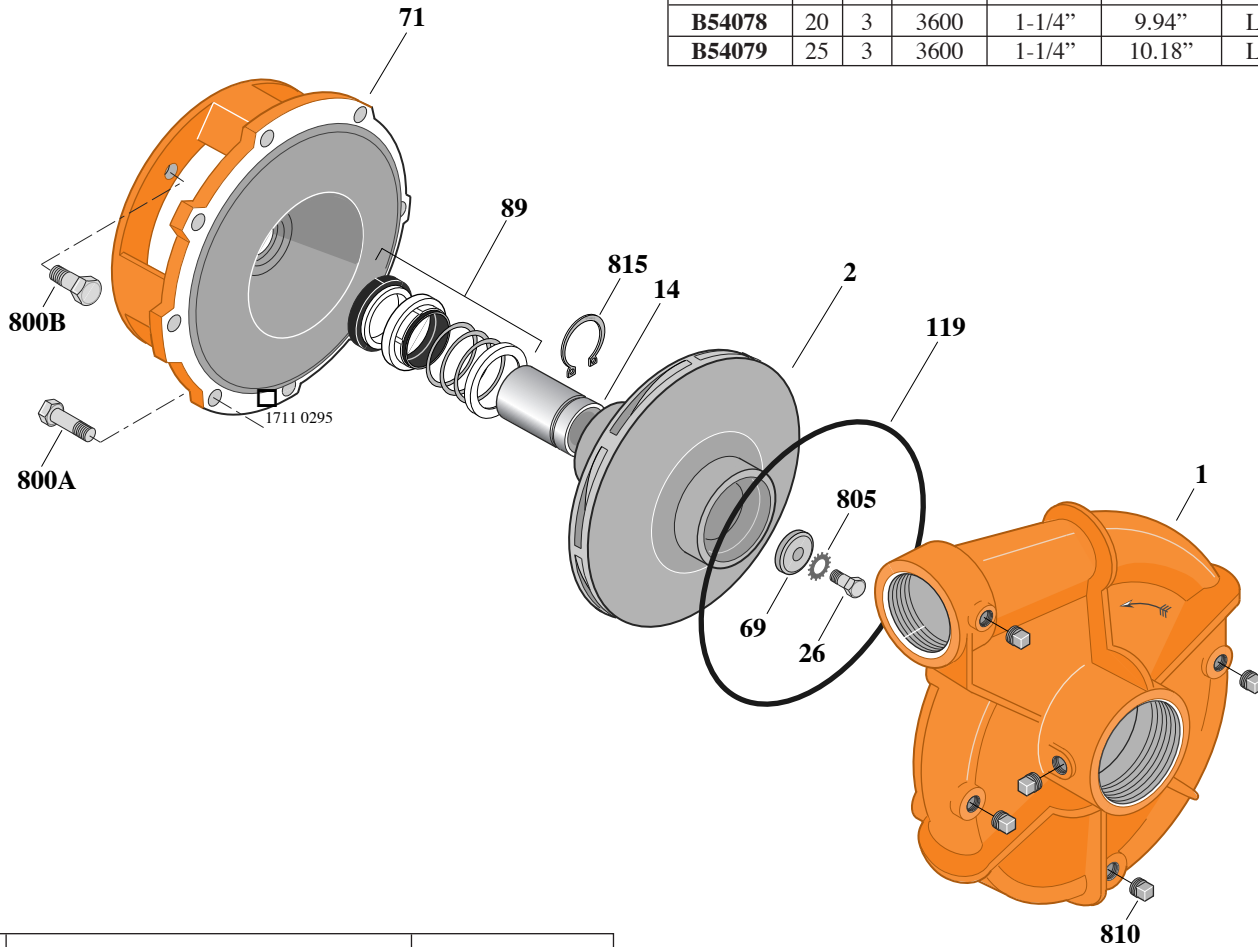
**B1-1/2EPLS**

**Threaded Case (NPT)**

**Mechanical Shaft Seal Construction**

**TABLE I**

B/M No.	HP	PH	RPM	"U" Dim.	Imp. Dia.	Imp. No.
B54078	20	3	3600	1-1/4"	9.94"	L06114
B54079	25	3	3600	1-1/4"	10.18"	L06115



Item No.	Part Description	Part Number
1	Case, Volute	L03093
2	Impeller	See Table I
14	Sleeve, Shaft	S18869
26	Screw, Impeller 1/2 - 13 x 1"	S23619
32	Key, 1/4 x 2-1/4" (See Note)	S23677
69	Washer, Impeller	S12475
71	Bracket	See Table II
89	Seal, Mechanical Shaft	S32015
119	O-Ring	S13760
800A	Capscrew, 1/2 - 13 x 1-1/4" (8 Req.)	S26914
800B	Capscrew, 1/2 - 13 x 1" (4 Req.)	S26912
805	Washer, Lock	S23038
810	Plug, Pipe (5 Req.)	S23715
815	Ring, Retaining	S16767

**TABLE II**

HP	PH	Bracket No.	"AK" Fit	"U" Dim.	Motor Frame
20	3	L04616	8-1/2"	1-1/4"	254JM
25	3	L04616	8-1/2"	1-1/4"	256JM

**NOTE:** For an explanation of the tabulated material found on this page and for impeller key location, refer to *Supplement A* located at the beginning of this section.



# TYPE "B" SINGLE STAGE CENTRIFUGAL PUMP Electric Motor Drive

Section	CC
Page	60.3
Date	September 1, 1997
Supersedes/New	

## SILICON BRONZE IMPELLER

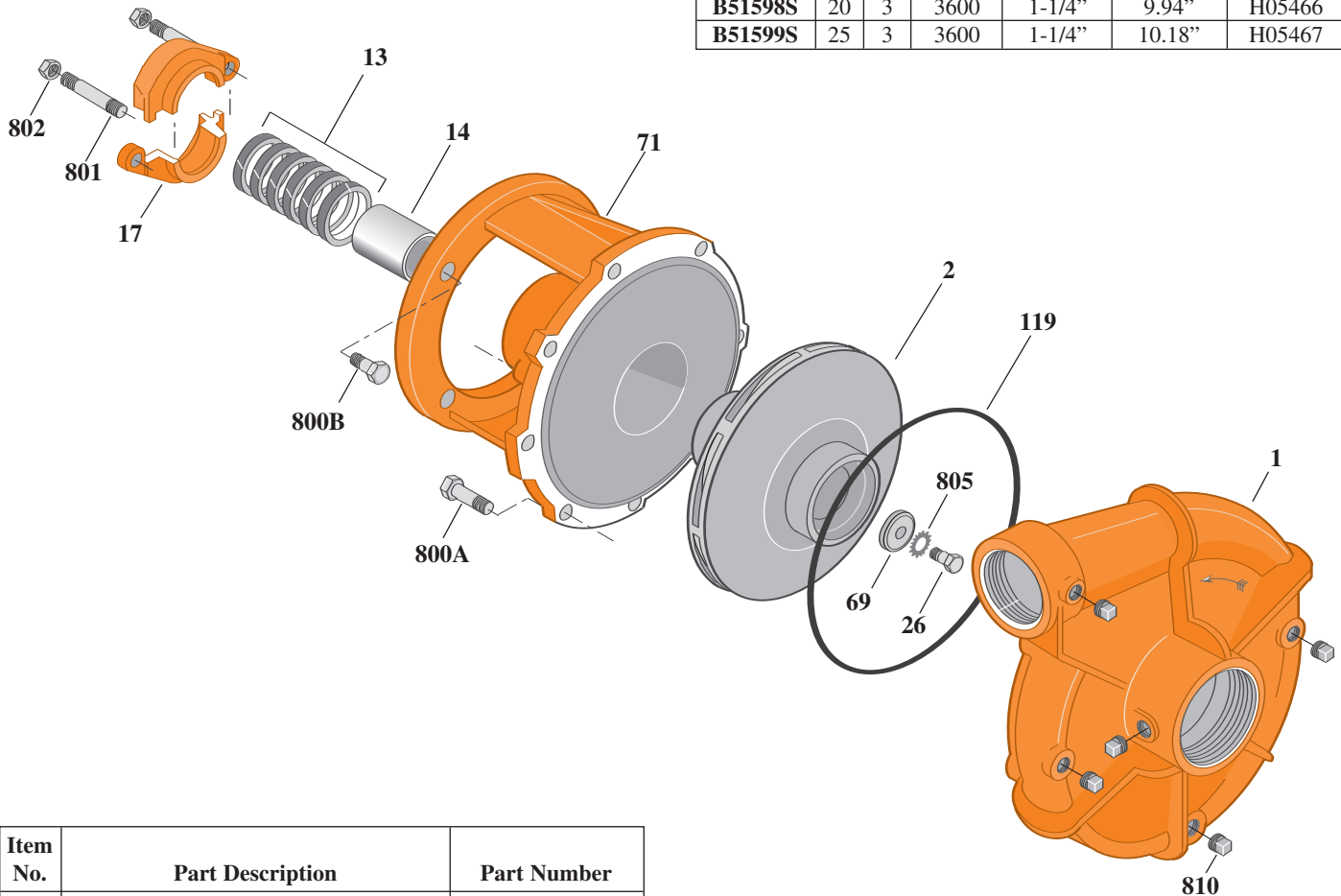
## B1-1/2EPL

**Threaded Case (NPT)**

**Packing Construction**

**TABLE I**

B/M No.	HP	PH	RPM	"U" Dim.	Imp. Dia.	Imp. No.
<b>B51598S</b>	20	3	3600	1-1/4"	9.94"	H05466
<b>B51599S</b>	25	3	3600	1-1/4"	10.18"	H05467



Item No.	Part Description	Part Number
1	Case, Volute	L03093
2	Impeller	See Table I
13	Rings, Packing (Set of 6)	S13470
14	Sleeve, Shaft	S05149
17	Gland, Packing	S12034
26	Screw, Impeller 1/2 - 13 x 1"	S23619
32	Key, 1/4 x 2-1/4" (See Note)	S23677
69	Washer, Impeller	S12475
71	Bracket	See Table II
119	O-Ring	S13760
800A	Capscrew, 1/2 - 13 x 1-1/4" (8 Req.)	S26914
800B	Capscrew, 1/2 - 13 x 1-1/2" (4 Req.)	S26916
801	Stud, 3/8 - 16 x 2-1/2" (2 Req.)	S04438
802	Nut, Hex 3/8 - 16 (2 Req.)	S23343
805	Washer, Lock	S23038
810	Plug, Pipe 1/4" NPT (6 Req.)	S23715

**TABLE II**

HP	PH	Bracket No.	"AK" Fit	"U" Dim.	Motor Frame
20	3	L03637	8-1/2"	1-1/4"	254JP
25	3	L03637	8-1/2"	1-1/4"	256JP

**NOTE:** For an explanation of the tabulated material found on this page and for impeller key location, refer to *Supplement A* located at the beginning of this section.



# TYPE "B" SINGLE STAGE CENTRIFUGAL PUMP Electric Motor Drive

Section	CC
Page	60.4
Date	January 1, 2004
Supersedes 9/1/1997	

## SILICON BRONZE IMPELLER

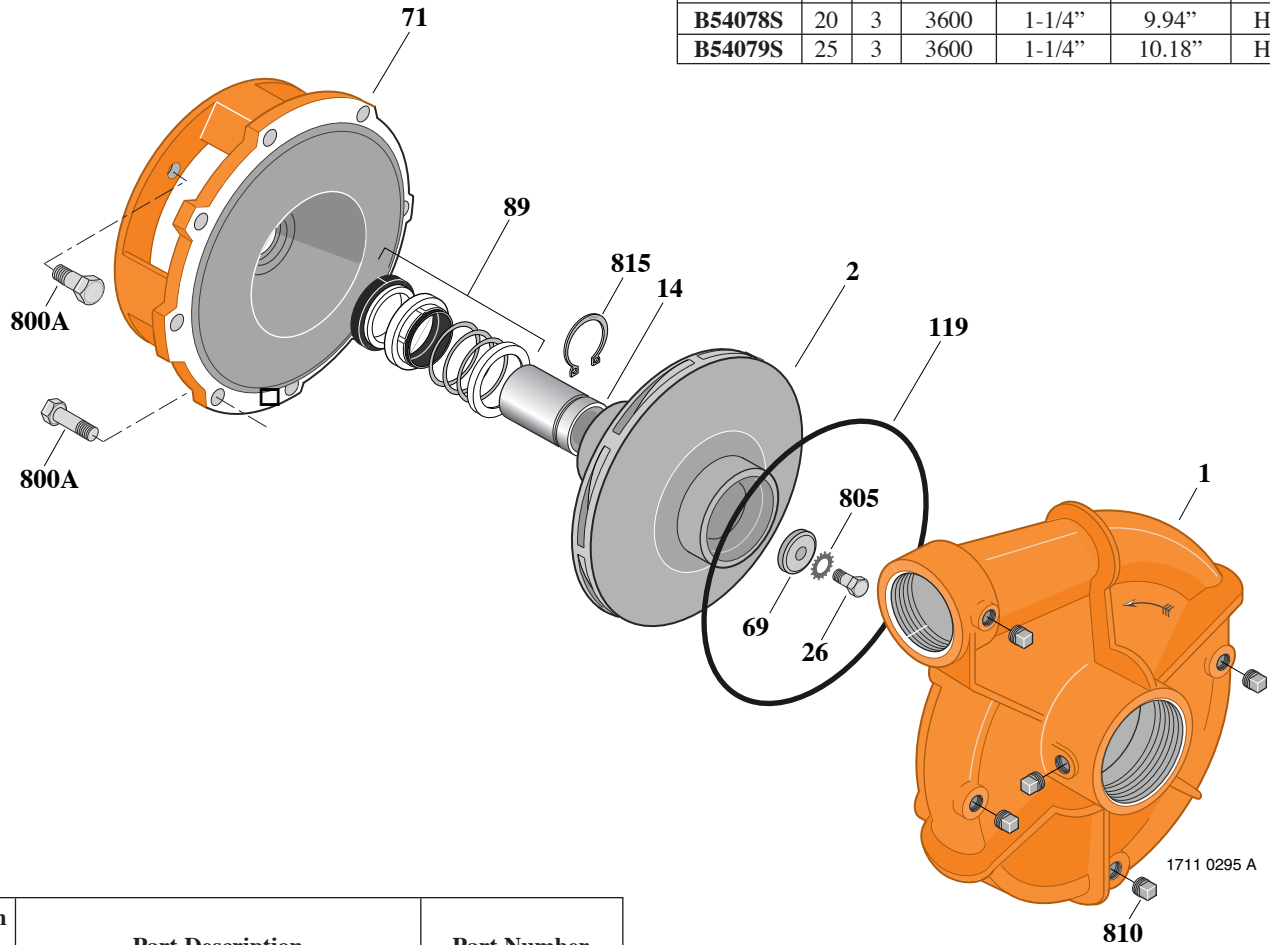
## B1-1/2EPLS

Threaded Case (NPT)

Mechanical Shaft Seal Construction

TABLE I

B/M No.	HP	PH	RPM	"U" Dim.	Imp. Dia.	Imp. No.
B54078S	20	3	3600	1-1/4"	9.94"	H05466
B54079S	25	3	3600	1-1/4"	10.18"	H05467



Item No.	Part Description	Part Number
1	Case, Volute	L03093
2	Impeller	See Table I
14	Sleeve, Shaft	S18869
26	Screw, Impeller 1/2 - 13 x 1"	S23619
32	Key, 1/4 x 2-1/4" (See Note)	S23677
69	Washer, Impeller	S12475
71	Bracket	See Table II
89	Seal, Mechanical Shaft	S32015
119	O-Ring	S13760
800A	Capscrew, 1/2 - 13 x 1-1/4" (12 Req.)	S26912
805	Washer, Lock	S23038
810	Plug, Pipe 1/4" NPT (6 Req.)	S23715
815	Ring, Retaining	S16767
•	Plug, Pipe 1/8" NPT (In Bracket)	S23714

• Not illustrated.

TABLE II

HP	PH	Bracket No.	"AK" Fit	"U" Dim.	Motor Frame
20	3	L04616	8-1/2"	1-1/4"	254JM
25	3	L04616	8-1/2"	1-1/4"	256JM

**NOTE:** For an explanation of the tabulated material found on this page and for impeller key location, refer to *Supplement A* located at the beginning of this section.

**NOTE:** For seal flush line details, see *Supplement D*.