

Plastic Filters

Durable high quality Plastic Filters for wide range of filtration applications



flow rates

**up to 50 m³/h
220 gpm**

filtration degrees

3500-50 micron

diameters

**20-80 mm
¾" - 3"**

max. operating
pressure

**10 bar
150 psi**

features:

- Interchangeable filter elements for a wide range of flow rates, with multiple filtration degrees
- Excellent mechanical strength, corrosion resistant for chemical compatibility
- Low pressure loss
- Easy to install and maintain, no tools required for rinsing
- Available with exclusive features for semi-automatic cleaning
- Suitable for a wide range of applications for the irrigation, municipal and industrial markets

Amiad Plastic Filters

General

With a variety of filter elements, Amiad's all purpose plastic filters are ideally suited for a wide range of filter applications and are easy to install and maintain. They are constructed from high quality engineered-plastic materials providing excellent mechanical strength, durability and chemical resistance.

No tools are required for dismantling or removing the filter element from the filter housing for rinsing.

Amiad plastic filters can be upgraded to semi-automatic operation by adding one of Amiad's exclusive Brushaway or Scanaway assemblies. These allow the user to manually clean the filter element without dismantling the filter.

Filter Elements

Amiad offers a variety of filter elements and filtration degrees that are suitable for a wide range of flow rates and applications.

Weavewire Screen Elements: (1)

Screen elements are constructed of molded plastic ribs that support a stainless steel weavewire or weaved polyester screen for filtration degrees of 800 to 50 micron.

Perforated Stainless Steel Screen Elements: (2)

Suitable for coarse filtration (straining) between 3,500 and 500 micron.

Disc Elements: (3)

The disc elements are designed for effective removal of organic substances. The elements are constructed using engineered plastic discs that are stacked onto a telescopic core. The discs are grooved on both sides and intersect to form the filtration element when compressed. The effective filtration area is comprised of both the outside surface and the channels formed by the intersecting grooves. Suspended organic particles adhere to the grooved surface adding depth to the filtration process.

Cleaning the disc element is made simple by the unique design of the telescopic core which allows the discs to separate during the cleaning process while maintaining perfect sealing when the element is in the filter housing.



Filtration Degrees Available

The following table lists the various filter elements and filtration degrees available for Amiad's Plastic Filter line. For ease of operation and maintenance, the filter elements are color coded. Please consult with your dealer for assistance in selecting the proper filter element and filtration degree for your application.

Disc color	-	-	Black	Red	Yellow	-	-	-	-	-	-
Screen color	Orange	Black	Yellow	Red	White	Blue	Green	Gray	-	-	-

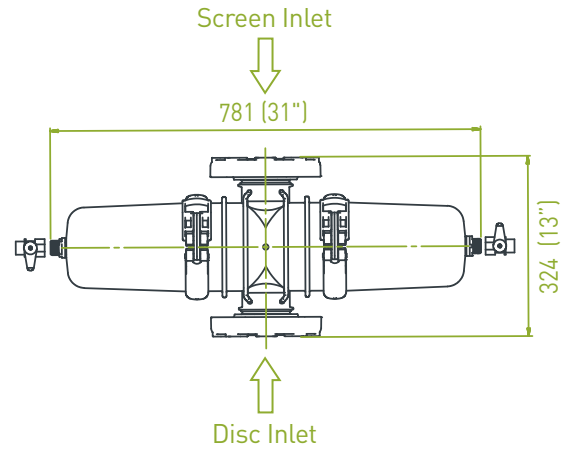
Micron	50	80	100	130	200	300	500	800	1500	2500	3500
Mesh	300	200	155	120	80	50	30	20	10	6	4
¾", 1"C	▲	▲	■▲	■▲	▲	■▲	▲				
1"S - 1½"S	▲	▲	■▲●	■▲●	▲●	■▲	▲				
2" - 3" 2"T - 3"T	▲	▲	▲●	▲●	▲●	▲	▲★	★	★	★	★
3" TDS			▲●	▲●	▲●						

■ Polyester screen ▲ St.St. weaveiree screen ● Disc element ★ Perforated screen

3" TDS

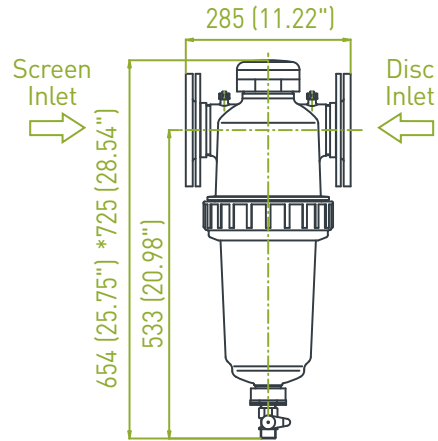


Dimentional Drawing

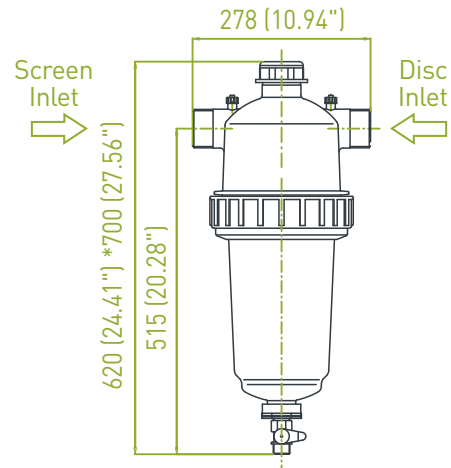


* Threaded connections also available

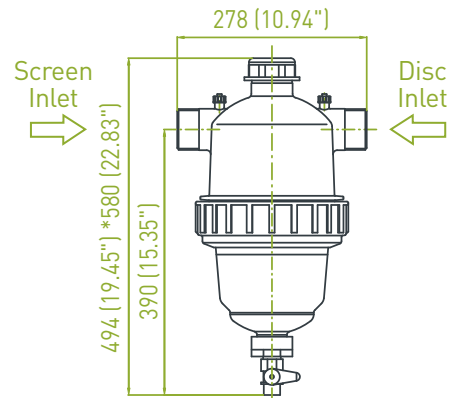
3" T



2" T-Super



2" T

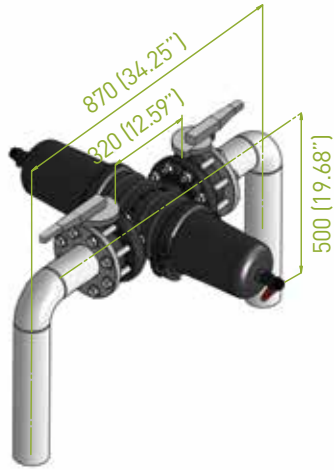


Dim: mm (inch)

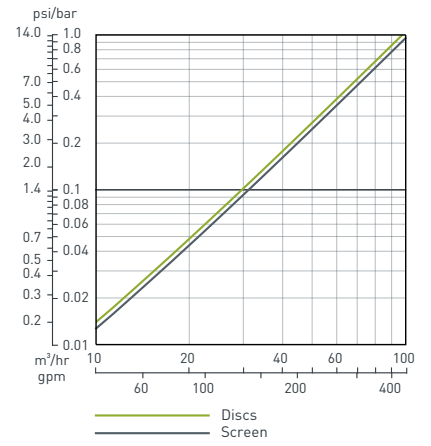
*Approx. length required for maintenance

3" TDS

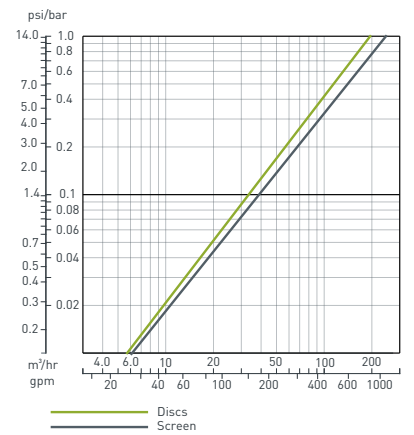
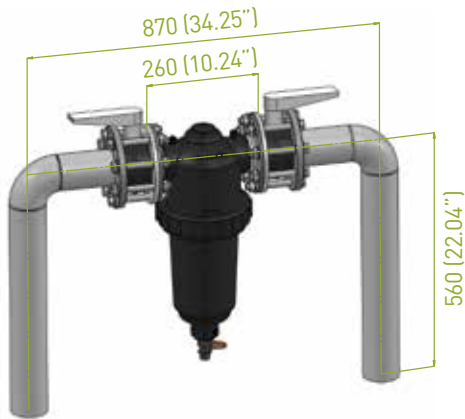
Typical Installation Drawing



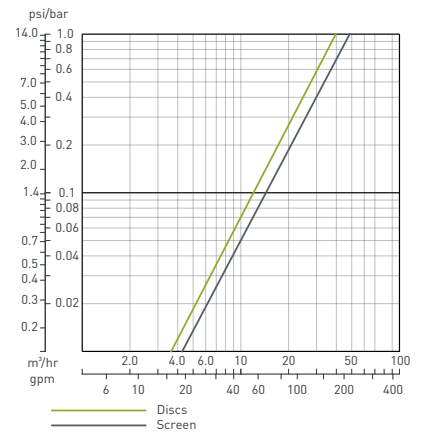
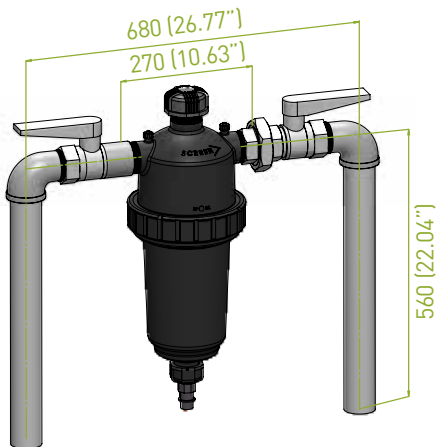
Pressure Loss Graph in clean water



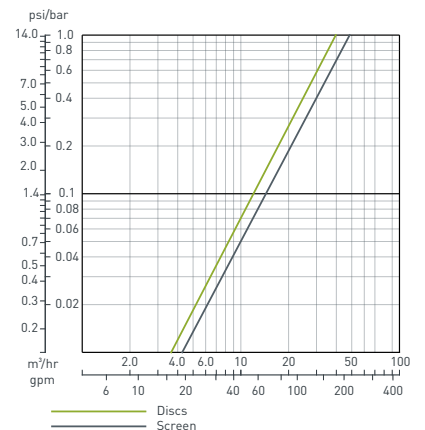
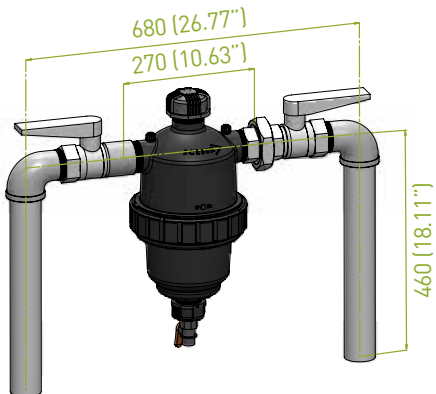
3" T



2" T-Super



2" T

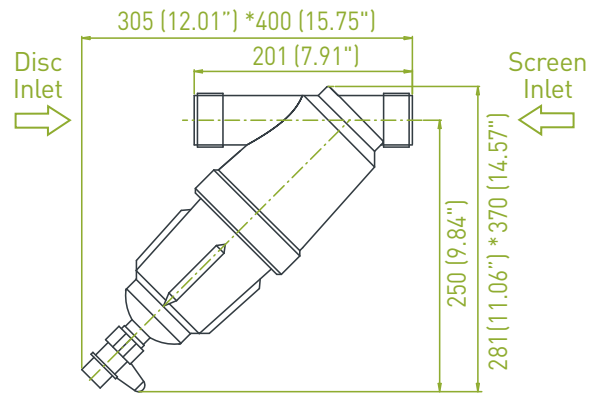


Dim: mm (inch)

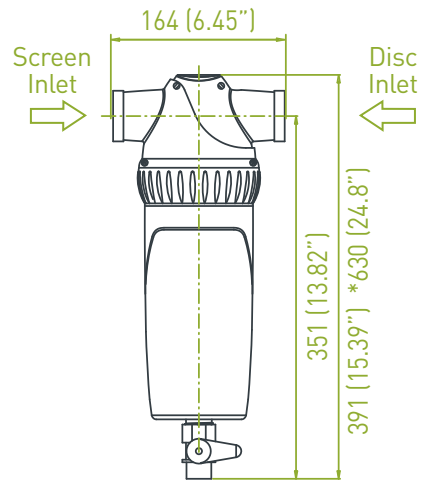
1½" Super



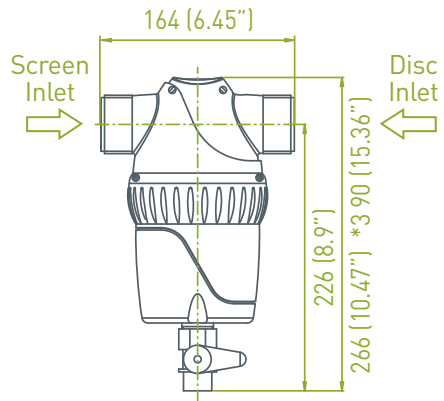
Dimensional Drawing



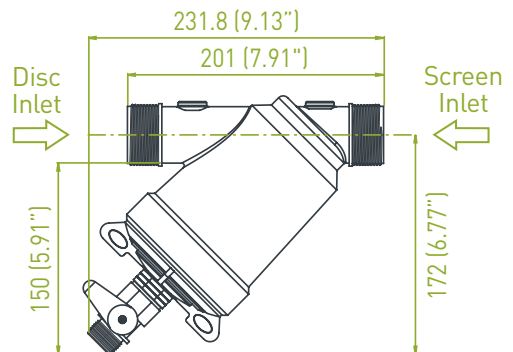
1½" T-Super



1½" T



1½" Compact

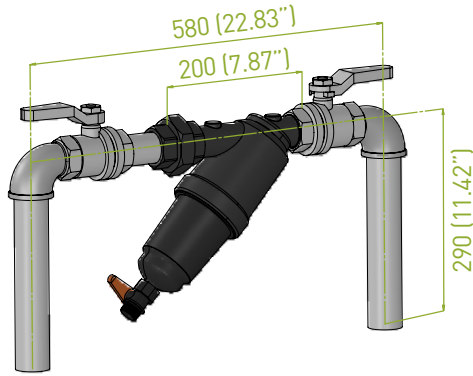


Dim: mm (inch)

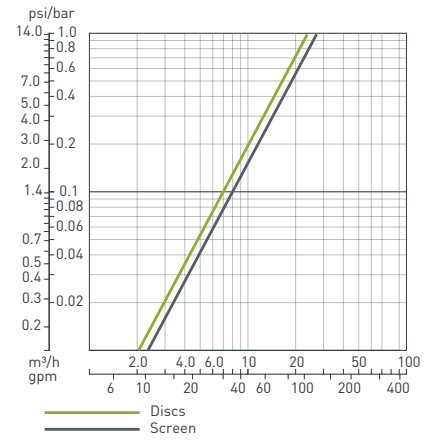
*Approx. length required for maintenance

1½" Super

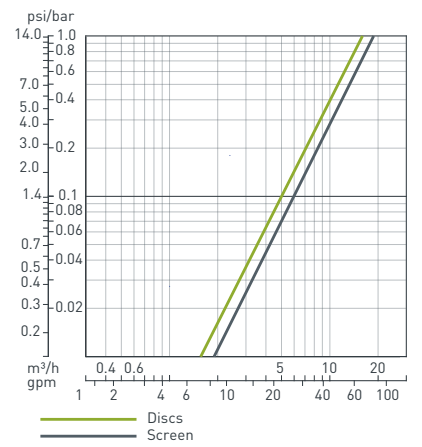
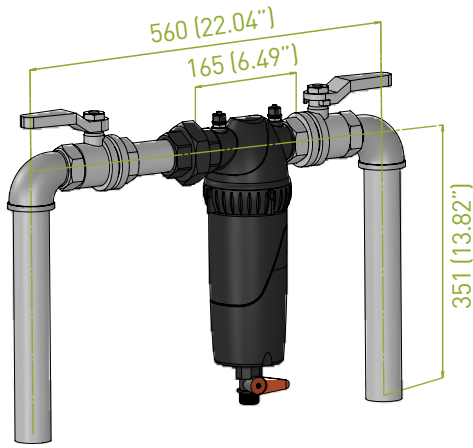
Typical Installation Drawing



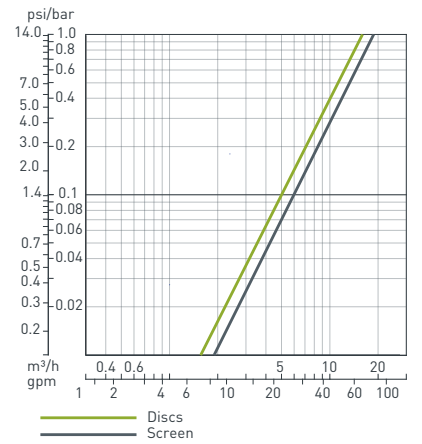
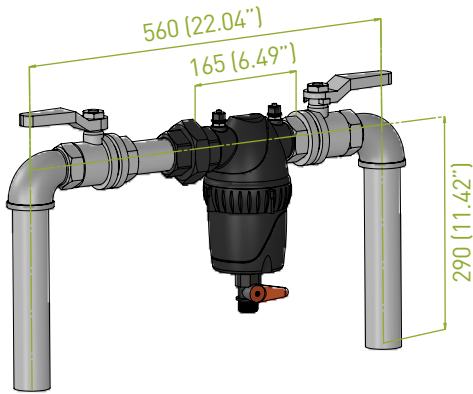
Pressure Loss Graph in clean water



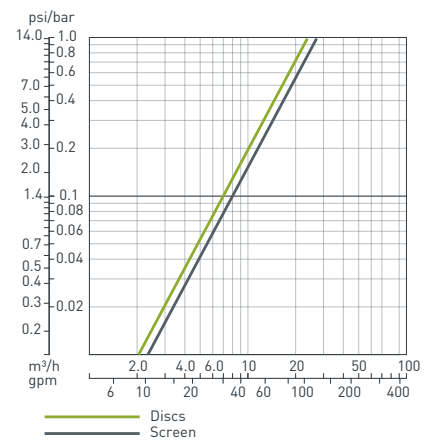
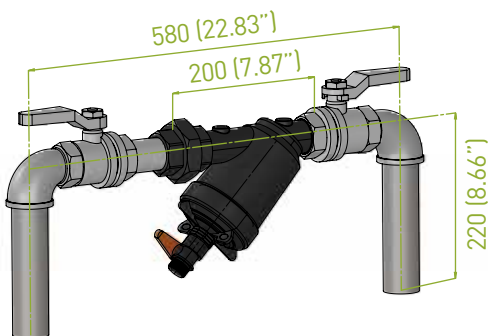
1½" T-Super



1½" T



1½" Compact

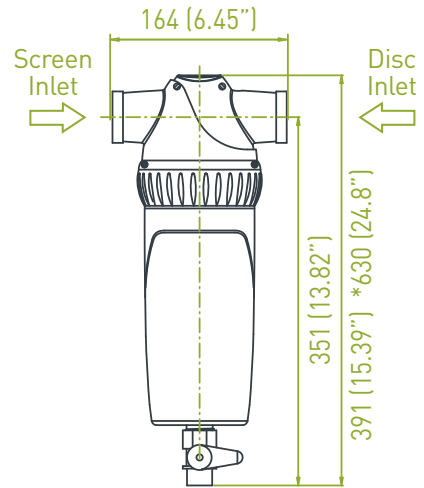


Dim: mm (inch)

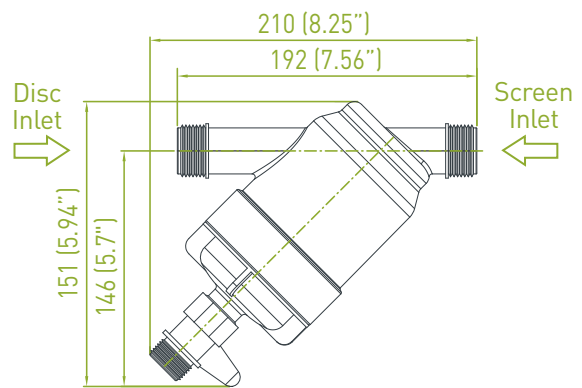
1" T-Super



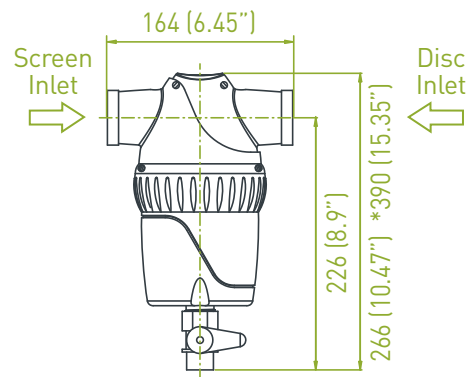
Dimentional Drawing



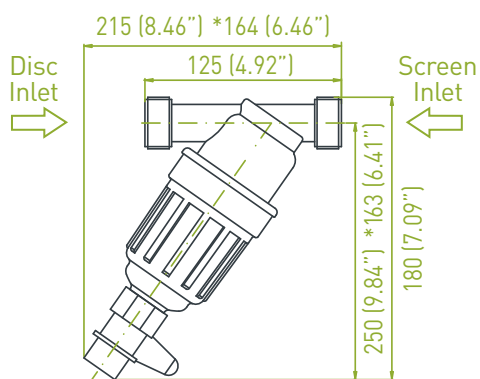
1" Super



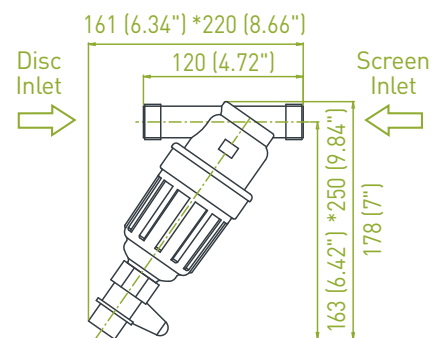
1" T



1" Compact



3/4"

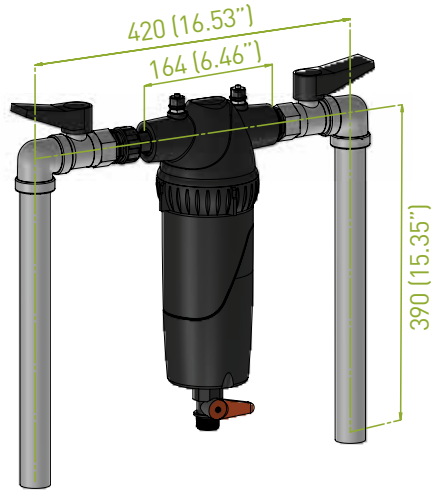


Dim: mm (inch)

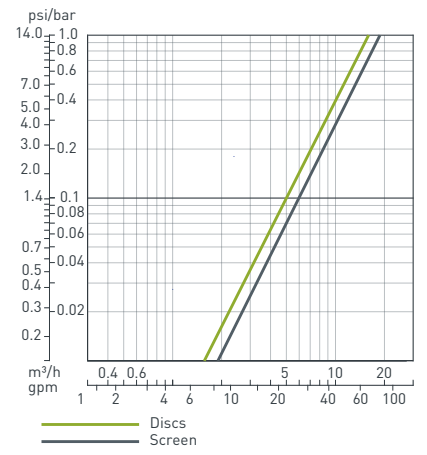
*Approx. length required for maintenance

1" T-Super

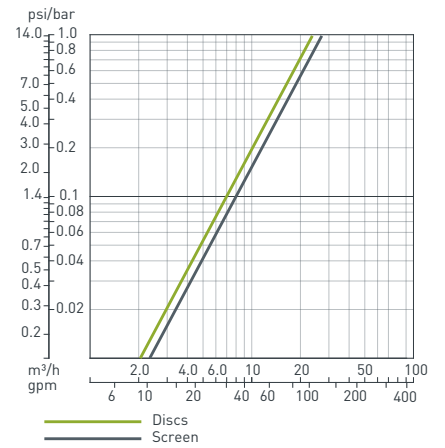
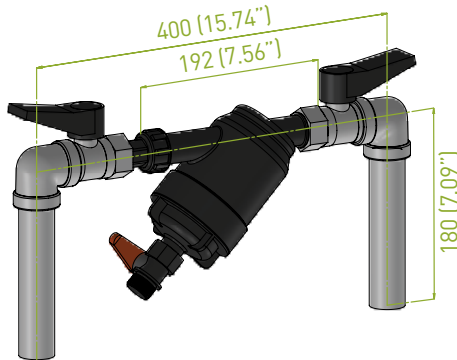
Typical Installation Drawing



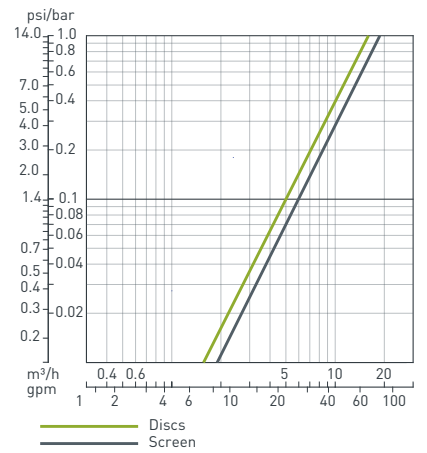
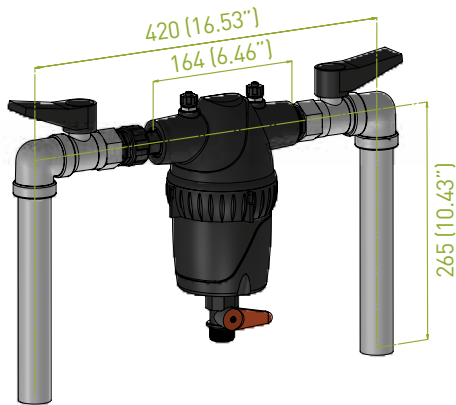
Pressure Loss Graph in clean water



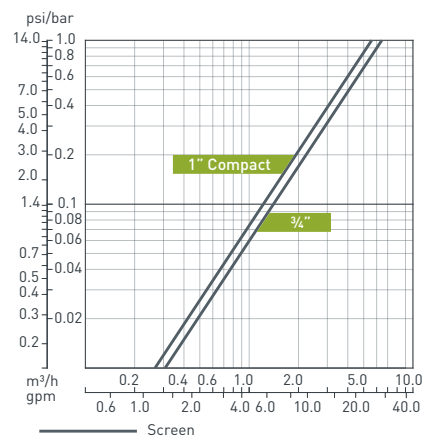
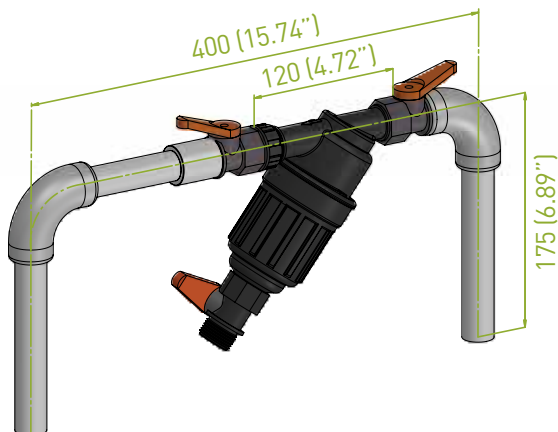
1" Super



1" T



1" Compact / 3/4"



Dim: mm (inch)

Technical Specifications

Filter Type		3" TDS	3" T	2" T-Super	2" T
General Data					
Maximum flow rate*		50 m ³ /h (220 gpm)	60 m ³ /h (264 gpm)	35 m ³ /h (154 gpm)	30 m ³ /h (132 gpm)
Inlet/outlet diameter		80 mm (3")		50 mm (2")	
Standard filtration degrees	Screen	200, 130, 100 micron	3500, 2500, 1500, 800, 500, 300, 200, 130, 100, 80, 50 micron		
	Disc	200, 130, 100 micron			
Max. operating pressure		8 bar (120 psi)	10 bar (150 psi)		
Max. operating temperature		60°C (140°F)			
Weight [empty]	Screen	5.1 kg (11.2 lbs)	4.2 kg (9.2 lbs)		3.6 kg (7.9 lbs)
	Disc	6.3 kg (14.0 lbs)	5.4 kg (11.9 lbs)		4.4 kg (9.7 lbs)

* Consult Amiad for optimum flow depending on filtration degree and water quality.

Filter Type		1½" Super	1½" T-Super	1½" T	1½" Compact
General Data					
Maximum flow rate*		15 m ³ /h (66 gpm)			
Inlet/outlet diameter		40 mm (1½")			
Standard filtration degrees	Screen	500, 300, 200, 130, 100, 80, 50 micron			
	Disc	200, 130, 100 micron			
Max. operating pressure		10 bar (150 psi)			
Working temperature range		60°C (140°F)			
Weight [empty]	Screen	1.0 kg (2.2 lbs)	1.35 kg (2.7 lbs)	0.85 kg (1.9 lbs)	0.76 kg (1.7 lbs)
	Disc	1.2 kg (2.6 lbs)	1.53 kg (3.2 lbs)	0.96 kg (2.1 lbs)	0.9 kg (1.9 lbs)

* Consult amiad for optimum flow depending on filtration degree and water quality.

Filter Type		1" T-Super	1" Super	1" T	1" Compact	¾"
General Data						
Maximum flow rate*		7 m ³ /h (31 gpm)		6 m ³ /h (26 gpm)	4 m ³ /h (18 gpm)	
Inlet/outlet diameter		25 mm (1")			20 mm (¾")	
Standard filtration degrees	Screen	500, 300, 200, 130, 100, 80, 50 micron				
	Disc	200, 130, 100 micron			N/A	
Max. operating pressure		10 bar (150 psi)				
Working temperature range		60°C (140°F)				
Weight [empty]	Screen	1.2 kg (2.7 lbs)	0.55 kg (1.2 lbs)	0.96 kg (2.1 lbs)	0.30 kg (0.7 lbs)	0.28 kg (0.6 lbs)
	Disc	0.9 kg (2 lbs)	0.64 kg (1.4 lbs)	1.06 kg (2.3 lbs)	N/A	

* Consult amiad for optimum flow depending on filtration degree & water quality.

Engineering Data

Filter Type	3" TDS	3" T	2" T-Super	2" T
Filter Element Data				
Filtration area	Screen: 1,570 cm ² [243 in ²] Disc: 1,900 cm ² [294 in ²]	1,200 cm ² [186 in ²]		800 cm ² [124 in ²]
Filter element type	Weavewire st.st. screen, disc element	Weavewire st.st. screen, perforated st.st. screen, disc element		

Construction Materials				
Filter housing	Polypropylene	Reinforced polyamide		
Filter lid	Polypropylene	Reinforced polyamide		
Tightening nut	N/A	Reinforced polyamide		
Clamp	Reinforced polyamide	N/A		
Housing seal	EPDM	NBR		
Screen	Construction = polypropylene and st. st. 316 Seals = NBR			
Disc	Polypropylene	Construction = polypropylene Grooved discs = polypropylene seals = NBR		

* Amiad offers a variety of construction materials. Consult us for specifications.

Filter Type	1½" Super	1½" T-Super	1½" T	1½" Compact
Filter Element Data				
Filtration area	460 cm ² [71 in ²]		200 cm ² [31 in ²]	
Filter element type	Polyester screen, weavewire st.st. screen, disc element			

Construction Materials				
Filter housing	Reinforced polypropylene			POM
Filter lid	Reinforced polypropylene			POM
Housing seal	NBR			
Screen	Structure = polypropylene Screen = st. st. or polyester Seals = viton or NBR			
Disc	Construction = polypropylene Grooved discs = polyethylene seals = NBR			

* Amiad offers a variety of construction materials. Consult us for specifications.

Filter Type	1" T-Super	1" Super	1" T	1" Compact	¾"
Filter Element Data					
Filtration area	460 cm ² [71.3 in ²]	200 cm ² [31 in ²]		140 cm ² [22 in ²]	
Filter element type	Polyester screen, weavewire st.st. screen, disc element				

Construction Materials					
Filter housing	Reinforced polypropylene			POM	
Filter lid	Reinforced polypropylene			POM	
Housing seal	NBR				
Screen	Structure = polypropylene Screen = st. st. or polyester Seals = NBR				
Disc	Construction = polypropylene Grooved discs = polyethylene seals = NBR			Polyester screen, weavewire stainless steel screen	

* Amiad offers a variety of construction materials. Consult us for specifications.

Headquarters

Amiad Water Systems Ltd.

Web: www.amiad.com | E-mail: info@amiad.com

The Americas



USA

Amiad USA Inc.

Web: www.amiadusa.com | E-mail: infousa@amiad.com

Brazil

Amiad Sistemas de Água Ltda.

E-mail: infobrasil@amiad.com

Mexico

Amiad México SA DE CV,

Web: www.amiad.es | E-mail: infomexico@amiad.com

Irrigation office: E-mail: infomexico-irr@amiad.com

Asia



India

Amiad Filtration India Pvt Limited

Web: www.amiadindia.com | E-mail: info-india@amiad.com

China

Amiad China (Yixing Taixing Environtec Co., Ltd.)

Web: www.amiad.com.cn | E-mail: marketing@taixing.cc

South-East Asia

Filtration & Control Systems Pte. Ltd.

E-mail: info-singapore@amiad.com

Australia



Amiad Australia Pty Ltd.

Web: www.amiad.com.au | E-mail: sales@amiad.com

Europe



Amiad Water Systems Europe SAS

E-mail: info@amiad-europe.com

German branch office

E-mail: info@amiad.de

United Kingdom

Amiad Water Systems UK Limited

E-mail: info-uk@amiad.com

