

AMIAD Water Systems

Spare Parts List

December 2016



TABLE OF CONTENTS

Spare Parts List

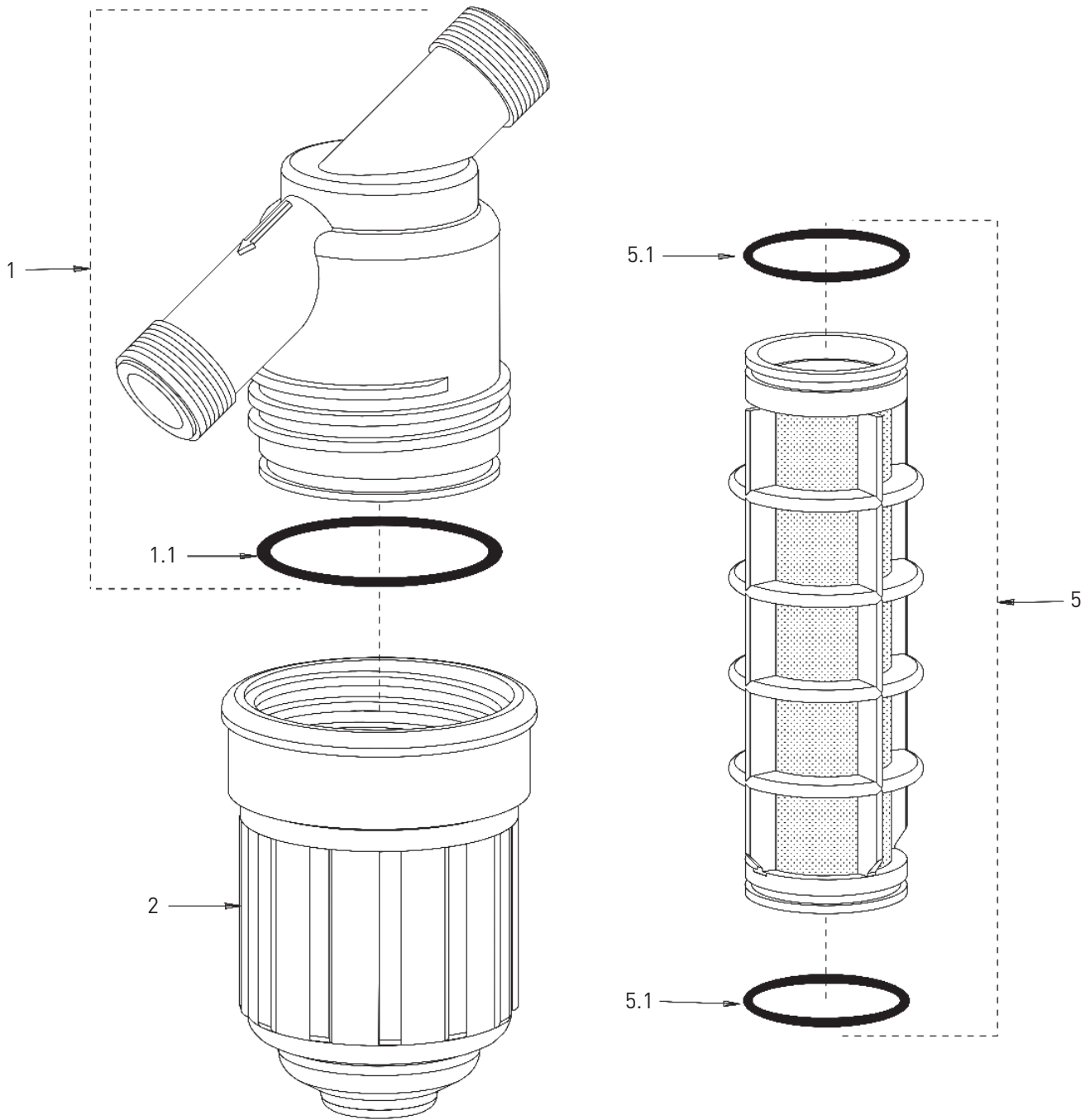
Plastic Filters	A1-16
Manual Steel Filters	B1-16
Semi-Automatic Filters	C1-23
TAF Filters	D1-10
Sigma Filters	E1-10
Filtomat M100 Filters	F1-69
SAF Filters	Coming Soon
EBS Filters	Coming Soon
ABF Filters	Coming Soon

TABLE OF CONTENTS

Plastic Filters

¾" Filter, Chemical Resistant, w/o valve	A1-2
¾" Filter, Acetal (AC), with valve	A3-4
1" Super Filter	A5-6
1½" Compact Filter	A7-8
1½" Super Filter	A9-10
2" T Filter	A11-12
2" T Super Filter	A13-14
3" T Filter	A15-16

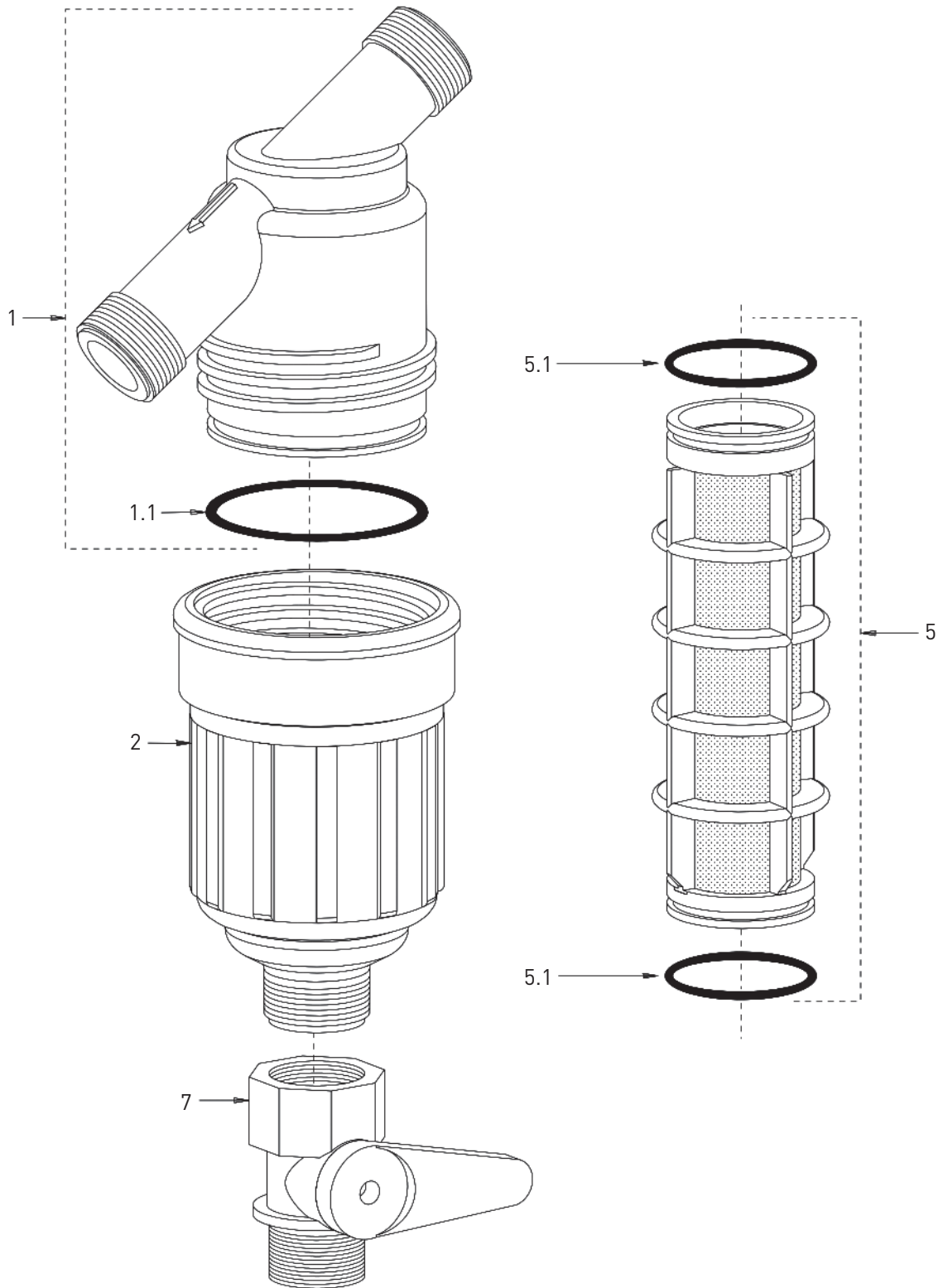
3/4" FILTER, CHEMICAL RESISTANT, W/O VALVE



3/4" FILTER, CHEMICAL RESISTANT, W/O VALVE

NO.	DESCRIPTION	PART NUMBER
1	3/4" Housing PP NPT, Blue Chemical Resistant, Viton	700190-001163
1.1	3/4" Housing O-Ring P2-136 F, Viton Seal "S"	770102-000237
2	3/4" Bowl - Closed (PBT, Blue)	710101-000450
5	3/4" Molded Polyester Screen, 110SQ.CM. 80 Micron, Viton Seals	700101-000282
	3/4" Molded Polyester Screen, 110SQ.CM. 100 Micron, Viton Seals	700101-000283
	3/4" Molded Polyester Screen, 110SQ.CM. 130 Micron, Viton Seals	700101-000284
	3/4" Molded Polyester Screen, 110SQ.CM. 200 Micron, Viton Seals	700101-000285
	3/4" Molded Polyester Screen, 110SQ.CM. 300 Micron, Viton Seals	700101-000286
	3/4" Molded Polyester Screen, 110SQ.CM. 500 Micron, Viton Seals	700101-000287
	3/4" Molded Polyester Screen, 110SQ.CM. 800 Micron, Viton Seals	700101-000288
5.1	3/4" Cylinder O-Ring Viton Seal 34 x 2.15 Viton Seal	770104-000171

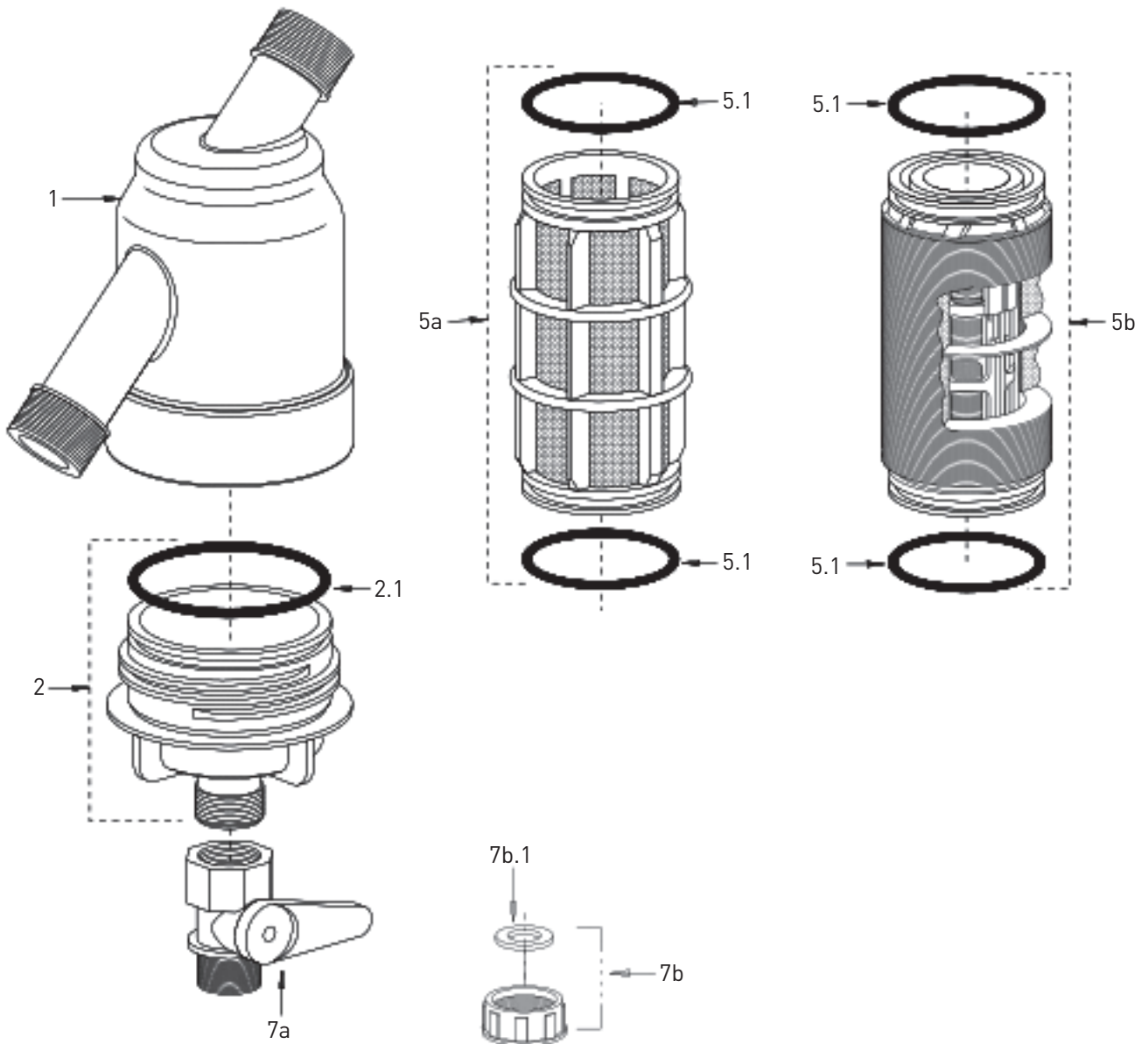
3/4" FILTER, ACETAL (AC), WITH VALVE



3/4" FILTER, ACETAL (AC), WITH VALVE

NO.	DESCRIPTION	PART NUMBER
1	3/4" Housing NPT (AC, Black)	700190-001160
1.1	3/4" Housing O-Ring Seal P2-136, NBR "S"	770102-000099
2	3/4" Bowl - Open (AC, Black)	710101-000447
5	3/4" Molded Polyester Screen, 110SQ.CM. 80 Micron, NBR Seals	700101-000274
	3/4" Molded Polyester Screen, 110SQ.CM. 100 Micron, NBR Seals	700101-000275
	3/4" Molded Polyester Screen, 110SQ.CM. 130 Micron, NBR Seals	700101-000276
	3/4" Molded Polyester Screen, 110SQ.CM. 200 Micron, NBR Seals	700101-000277
	3/4" Molded Polyester Screen, 110SQ.CM. 300 Micron, NBR Seals	700101-000278
	3/4" Molded Polyester Screen, 110SQ.CM. 500 Micron, NBR Seals	700101-000279
	3/4" Molded Polyester Screen, 110SQ.CM. 800 Micron, NBR Seals	700101-000280
5	3/4" Molded Weavewire St/St 316 Screen, 110SQ.CM. 50 Micron, NBR Seals	700101-000297
	3/4" Molded Weavewire St/St 316 Screen, 110SQ.CM. 80 Micron, NBR Seals	700101-000298
	3/4" Molded Weavewire St/St 316 Screen, 110SQ.CM. 100 Micron, NBR Seals	700101-000299
	3/4" Molded Weavewire St/St 316 Screen, 110SQ.CM. 130 Micron, NBR Seals	700101-000300
	3/4" Molded Weavewire St/St 316 Screen, 110SQ.CM. 200 Micron, NBR Seals	700101-000301
	3/4" Molded Weavewire St/St 316 Screen, 110SQ.CM. 300 Micron, NBR Seals	700101-000302
	3/4" Molded Weavewire St/St 316 Screen, 110SQ.CM. 500 Micron, NBR Seals	700101-000303
5.1	3/4" Cylinder O-Ring NBR Seal 34 x 2	770101-000038
7	3/4" Ball Valve, Black	300005-000001

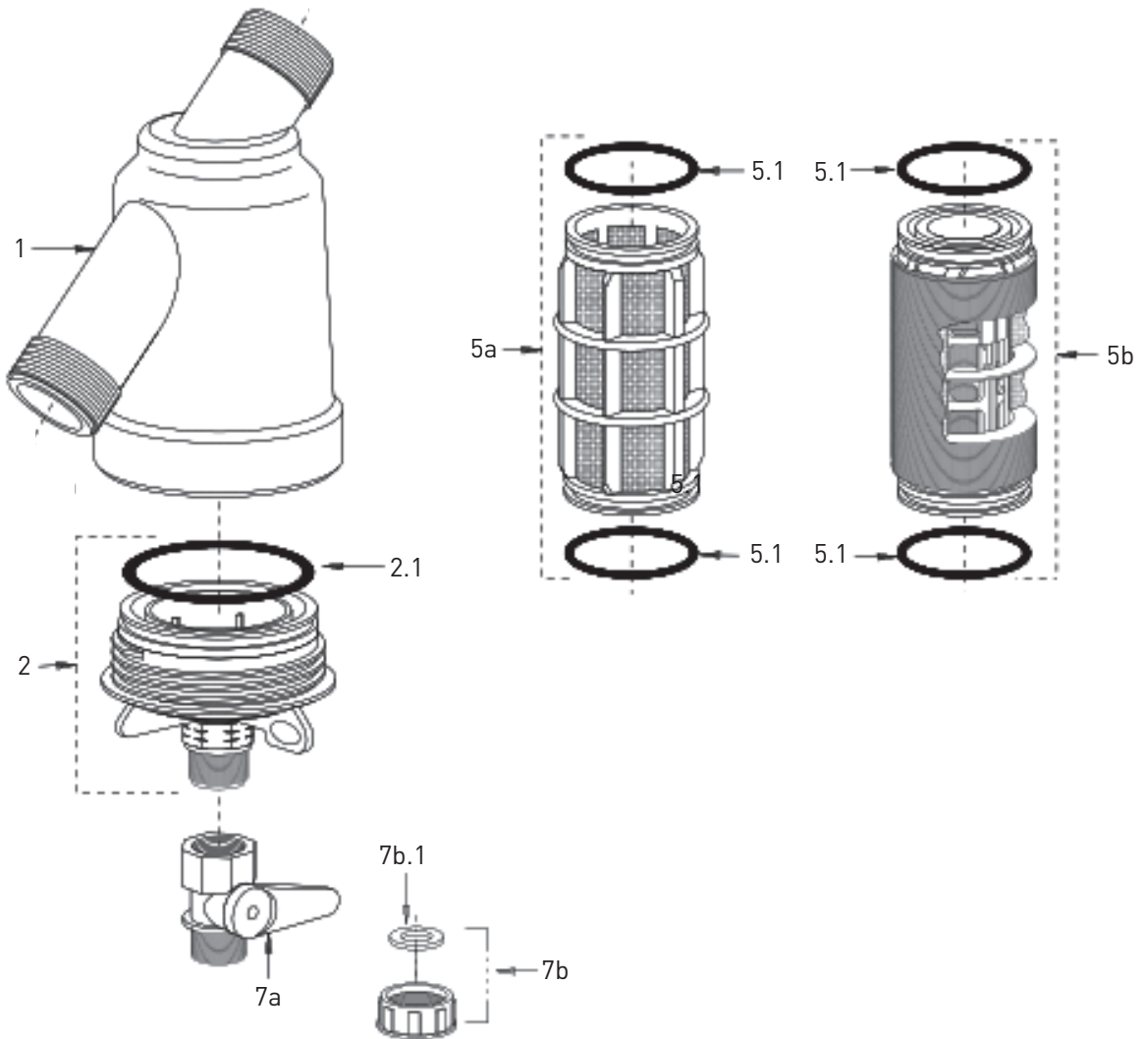
1" SUPER FILTER



1" SUPER FILTER

NO.	DESCRIPTION	PART NUMBER
1	1" Super Housing NPT (AC,Black)	710101-000481
2	1" Super Lid Assembly with NBR Seal	700190-001176
2.1	1" Super Lid O-Ring Seal P2-232, NBR	770102-000121
5a	1" Super Molded Polyester Screen, 170SQ.CM. 80 Micron, NBR Seals	700101-000326
	1" Super Molded Polyester Screen, 170SQ.CM. 100 Micron, NBR Seals	700101-000327
	1" Super Molded Polyester Screen, 170SQ.CM. 130 Micron, NBR Seals	700101-000328
	1" Super Molded Polyester Screen, 170SQ.CM. 200 Micron, NBR Seals	700101-000329
	1" Super Molded Polyester Screen, 170SQ.CM. 300 Micron, NBR Seals	700101-000330
	1" Super Molded Polyester Screen, 170SQ.CM. 500 Micron, NBR Seals	700101-000331
	1" Super Molded Polyester Screen, 170SQ.CM. 800 Micron, NBR Seals	700101-000332
5a	1" Super Molded Weavewire St/St 316 Screen, 170SQ.CM. 50 Micron, NBR Seals	700101-000335
	1" Super Molded Weavewire St/St 316 Screen, 170SQ.CM. 80 Micron, NBR Seals	700101-000336
	1" Super Molded Weavewire St/St 316 Screen, 170SQ.CM. 100 Micron, NBR Seals	700101-000337
	1" Super Molded Weavewire St/St 316 Screen, 170SQ.CM. 130 Micron, NBR Seals	700101-000338
	1" Super Molded Weavewire St/St 316 Screen, 170SQ.CM. 200 Micron, NBR Seals	700101-000339
	1" Super Molded Weavewire St/St 316 Screen, 170SQ.CM. 300 Micron, NBR Seals	700101-000340
	1" Super Molded Weavewire St/St 316 Screen, 170SQ.CM. 500 Micron, NBR Seals	700101-000341
5b	1" Super Disc Element, 200SQ.CM. 100 Micron, NBR Seals	700101-000322
	1" Super Disc Element, 200SQ.CM. 130 Micron, NBR Seals	700101-000323
	1" Super Disc Element, 200SQ.CM. 200 Micron, NBR Seals	700101-000324
5.1	1" Super Cylinder O-Ring P2-227, NBR Seal	770102-000117
7a	3/4" Ball Valve, Black	300005-000001
7b	3/4" Cap with NBR Seal	700190-001192
7b.1	3/4" Cap Seal NBR	770103-000025

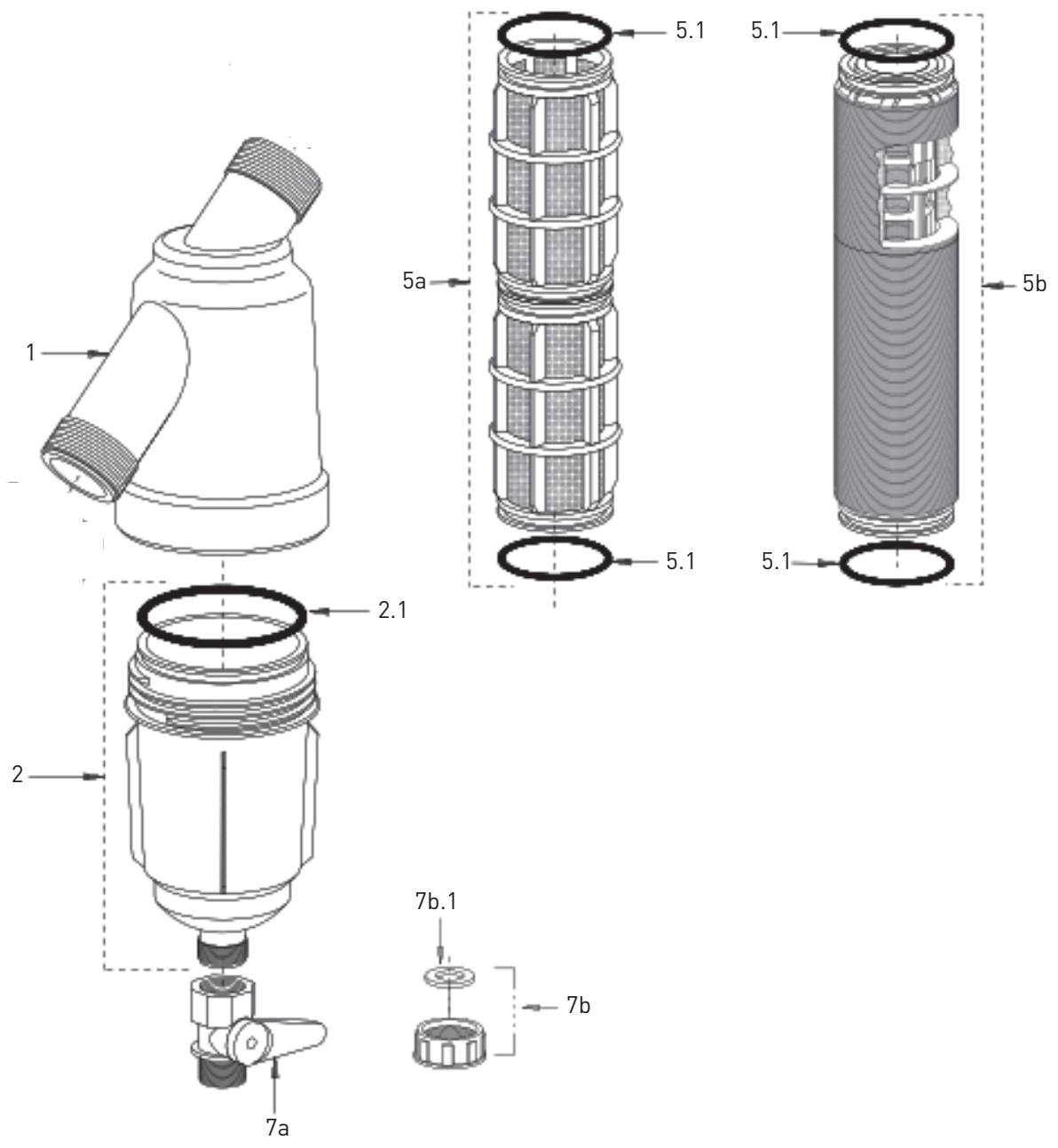
1-1/2" COMPACT FILTER



1-1/2" COMPACT FILTER

NO.	DESCRIPTION	PART NUMBER
1	1-1/2" Housing NPT (AC, Black)	710101-000526
2	1-1/2" Bowl Assembly with NBR Seal	700190-001202
2.1	1-1/2" Lid O-Ring Seal P2-236, NBR	770102-000125
5a	1-1/2" Molded Polyester Screen, 170SQ.CM. 80 Micron, NBR Seals	700101-000326
	1-1/2" Molded Polyester Screen, 170SQ.CM. 100 Micron, NBR Seals	700101-000327
	1-1/2" Molded Polyester Screen, 170SQ.CM. 130 Micron, NBR Seals	700101-000328
	1-1/2" Molded Polyester Screen, 170SQ.CM. 200 Micron, NBR Seals	700101-000329
	1-1/2" Molded Polyester Screen, 170SQ.CM. 300 Micron, NBR Seals	700101-000330
	1-1/2" Molded Polyester Screen, 170SQ.CM. 500 Micron, NBR Seals	700101-000331
	1-1/2" Molded Polyester Screen, 170SQ.CM. 800 Micron, NBR Seals	700101-000332
5a	1-1/2" Molded Weavewire St/St 316 Screen, 170SQ.CM. 50 Micron, NBR Seals	700101-000335
	1-1/2" Molded Weavewire St/St 316 Screen, 170SQ.CM. 80 Micron, NBR Seals	700101-000336
	1-1/2" Molded Weavewire St/St 316 Screen, 170SQ.CM. 100 Micron, NBR Seals	700101-000337
	1-1/2" Molded Weavewire St/St 316 Screen, 170SQ.CM. 130 Micron, NBR Seals	700101-000338
	1-1/2" Molded Weavewire St/St 316 Screen, 170SQ.CM. 200 Micron, NBR Seals	700101-000339
	1-1/2" Molded Weavewire St/St 316 Screen, 170SQ.CM. 300 Micron, NBR Seals	700101-000340
	1-1/2" Molded Weavewire St/St 316 Screen, 170SQ.CM. 500 Micron, NBR Seals	700101-000341
5b	1-1/2" Disc Element, 200SQ.CM. 100 Micron, NBR Seals	700101-000322
	1-1/2" Disc Element, 200SQ.CM. 130 Micron, NBR Seals	700101-000323
	1-1/2" Disc Element, 200SQ.CM. 200 Micron, NBR Seals	700101-001693
5.1	1-1/2" Cylinder O-Ring P2-227, NBR Seal	770102-000117
7a	3/4" Ball Valve, Black	300005-000001
7b	3/4" Cap with NBR Seal	700190-001192
7b.1	3/4" Cap Seal NBR	770103-000025

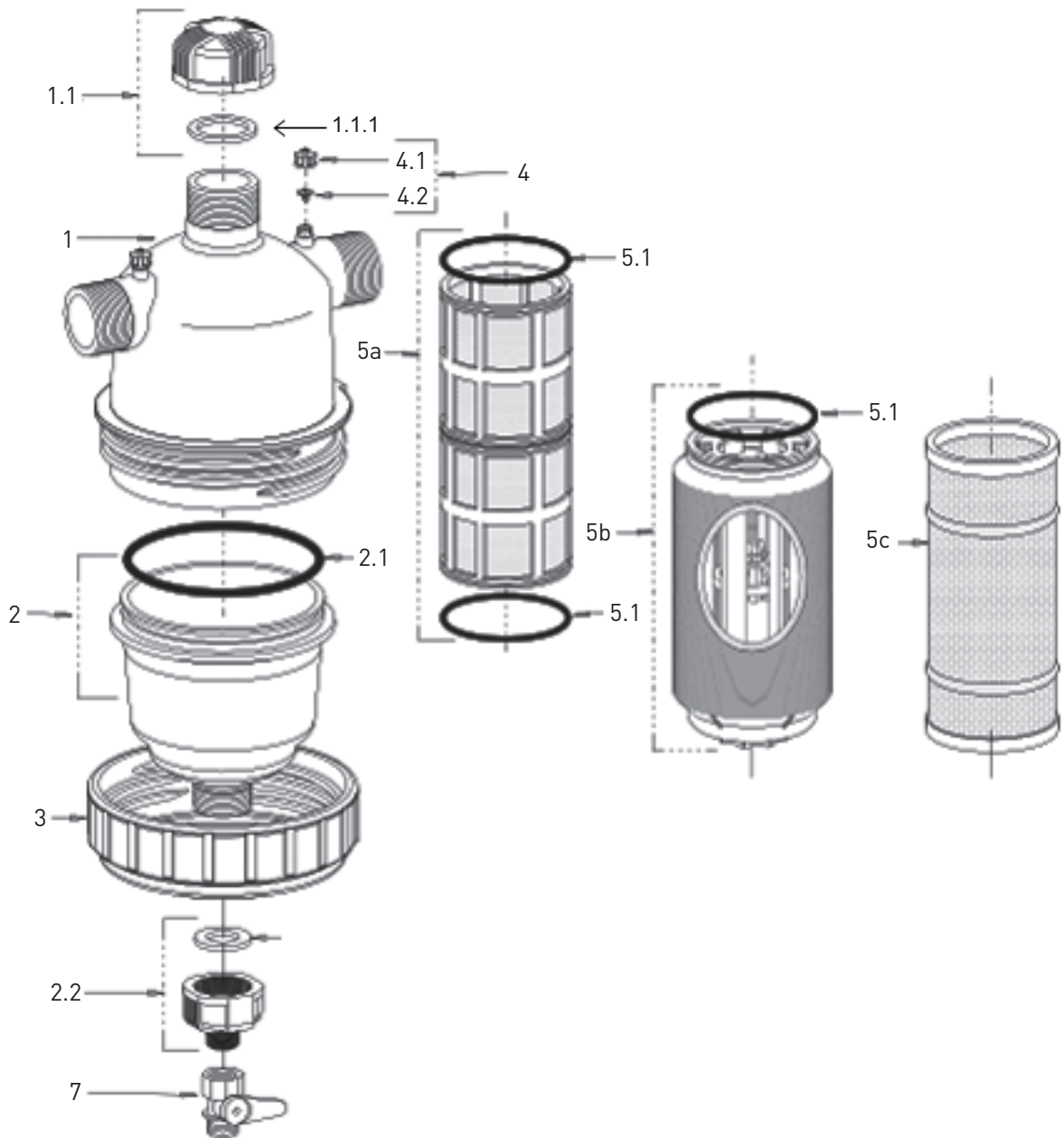
1-1/2" SUPER FILTER



1-1/2" SUPER FILTER FILTER

NO.	DESCRIPTION	PART NUMBER
1	1-1/2" Super Housing NPT (AC, Black)	710101-000526
2	1-1/2" Super Bowl Assembly with NBR Seal	700190-001203
2.1	1-1/2" Super Lid O-Ring Seal P2-236, NBR	770102-000125
5a	1-1/2" Super Molded Polyester Screen, 340SQ.CM. 80 Micron, NBR Seals	700101-000354
	1-1/2" Super Molded Polyester Screen, 340SQ.CM. 100 Micron, NBR Seals	700101-000355
	1-1/2" Super Molded Polyester Screen, 340SQ.CM. 130 Micron, NBR Seals	700101-000356
	1-1/2" Super Molded Polyester Screen, 340SQ.CM. 200 Micron, NBR Seals	700101-000357
	1-1/2" Super Molded Polyester Screen, 340SQ.CM. 300 Micron, NBR Seals	700101-000358
	1-1/2" Super Molded Polyester Screen, 340SQ.CM. 500 Micron, NBR Seals	700101-000359
	1-1/2" Super Molded Polyester Screen, 340SQ.CM. 800 Micron, NBR Seals	700101-000360
5a	1-1/2" Super Molded Weavewire St/St 316 Screen, 340SQ.CM. 50 Micron, NBR Seals	700101-000362
	1-1/2" Super Molded Weavewire St/St 316 Screen, 340SQ.CM. 80 Micron, NBR Seals	700101-000363
	1-1/2" Super Molded Weavewire St/St 316 Screen, 340SQ.CM. 100 Micron, NBR Seals	700101-000364
	1-1/2" Super Molded Weavewire St/St 316 Screen, 340SQ.CM. 130 Micron, NBR Seals	700101-000365
	1-1/2" Super Molded Weavewire St/St 316 Screen, 340SQ.CM. 200 Micron, NBR Seals	700101-000366
	1-1/2" Super Molded Weavewire St/St 316 Screen, 340SQ.CM. 300 Micron, NBR Seals	700101-000367
	1-1/2" Super Molded Weavewire St/St 316 Screen, 340SQ.CM. 500 Micron, NBR Seals	700101-000368
5b	1-1/2" Super Disc Element, 460SQ.CM. 100 Micron, NBR Seals	700101-000350
	1-1/2" Super Disc Element, 460SQ.CM. 130 Micron, NBR Seals	700101-000351
	1-1/2" Super Disc Element, 460SQ.CM. 200 Micron, NBR Seals	700101-001694
5.1	1-1/2" Super Cylinder O-Ring P2-227, NBR Seal	770102-000117
7a	3/4" Ball Valve, Black	300005-000001
7b	3/4" Cap with NBR Seal	700190-001192
7b.1	3/4" Cap Seal NBR	770103-000025

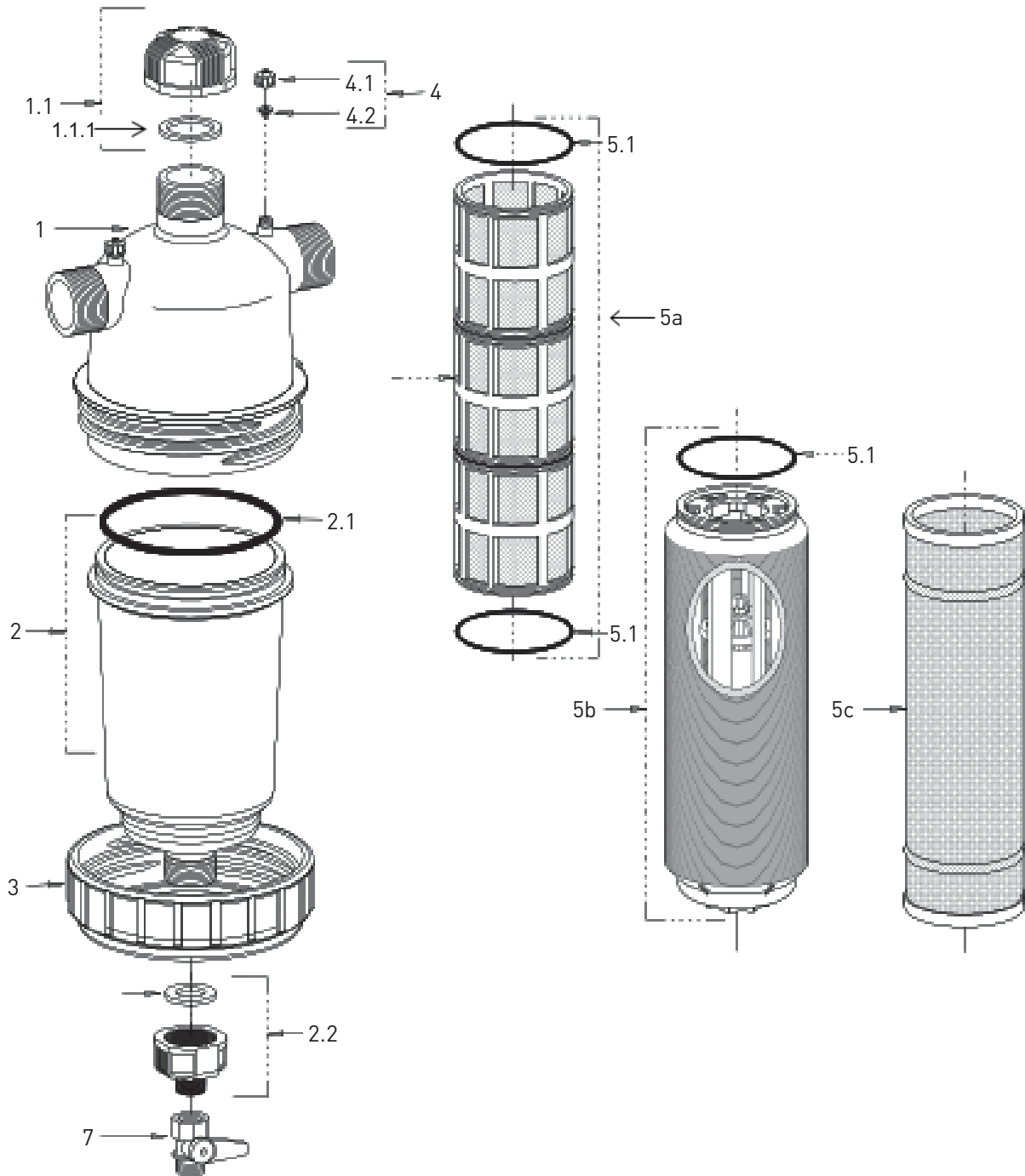
2" T FILTER



2" T FILTER

NO.	DESCRIPTION	PART NUMBER
1	2" T Housing NPT (PA, Black)	700190-001266
1.1	2" T Cap Assembly	700190-001241
1.1.1	2" T Cap Gasket/Flat Seal, NBR	770103-000041
2	2" T Lid BSPT	710103-005731
2.1	2" T Lid O-Ring Seal P2-437, NBR	770102-000169
2.2	Connector 3/4" x 1-1/2" BSPT	780101-001125
3	2" T - 3" T Nylon Tightening Nut (Black)	710103-000544
4	Pressure Check Point Plastic, Cap and Grommet	700190-001305
4.1	Pressure Check Point Cap	710101-000547
4.2	Pressure Check Rubber Grommet	770104-000067
5a	2" T Molded Weavewire St/St 316 Screen, 465SQ.CM. 50 Micron, NBR Seals	700101-000385
	2" T Molded Weavewire St/St 316 Screen, 465SQ.CM. 80 Micron, NBR Seals	700101-000386
	2" T Molded Weavewire St/St 316 Screen, 465SQ.CM. 100 Micron, NBR Seals	700101-000387
	2" T Molded Weavewire St/St 316 Screen, 465SQ.CM. 130 Micron, NBR Seals	700101-000388
	2" T Molded Weavewire St/St 316 Screen, 465SQ.CM. 200 Micron, NBR Seals	700101-000389
	2" T Molded Weavewire St/St 316 Screen, 465SQ.CM. 300 Micron, NBR Seals	700101-000390
	2" T Molded Weavewire St/St 316 Screen, 465SQ.CM. 500 Micron, NBR Seals	700101-000391
5b	2" T Disc Element, 790SQ.CM. 100 Micron, NBR Seals	700101-001667
	2" T Disc Element, 790SQ.CM. 130 Micron, NBR Seals	700101-001513
	2" T Disc Element, 790SQ.CM. 200 Micron, NBR Seals	700101-001669
5c	2" T Perforated St/St 316 Screen, 465SQ.CM. 800 Micron	700101-000381
	2" T Perforated St/St 316 Screen, 465SQ.CM. 1500 Micron	700101-000382
	2" T Perforated St/St 316 Screen, 465SQ.CM. 2500 Micron	700101-000383
	2" T Perforated St/St 316 Screen, 465SQ.CM. 3500 Micron	700101-000384
5.1	2" T Cylinder O-Ring P2-242, NBR Seal	770102-000130
7	3/4" Ball Valve, Black	300005-000001

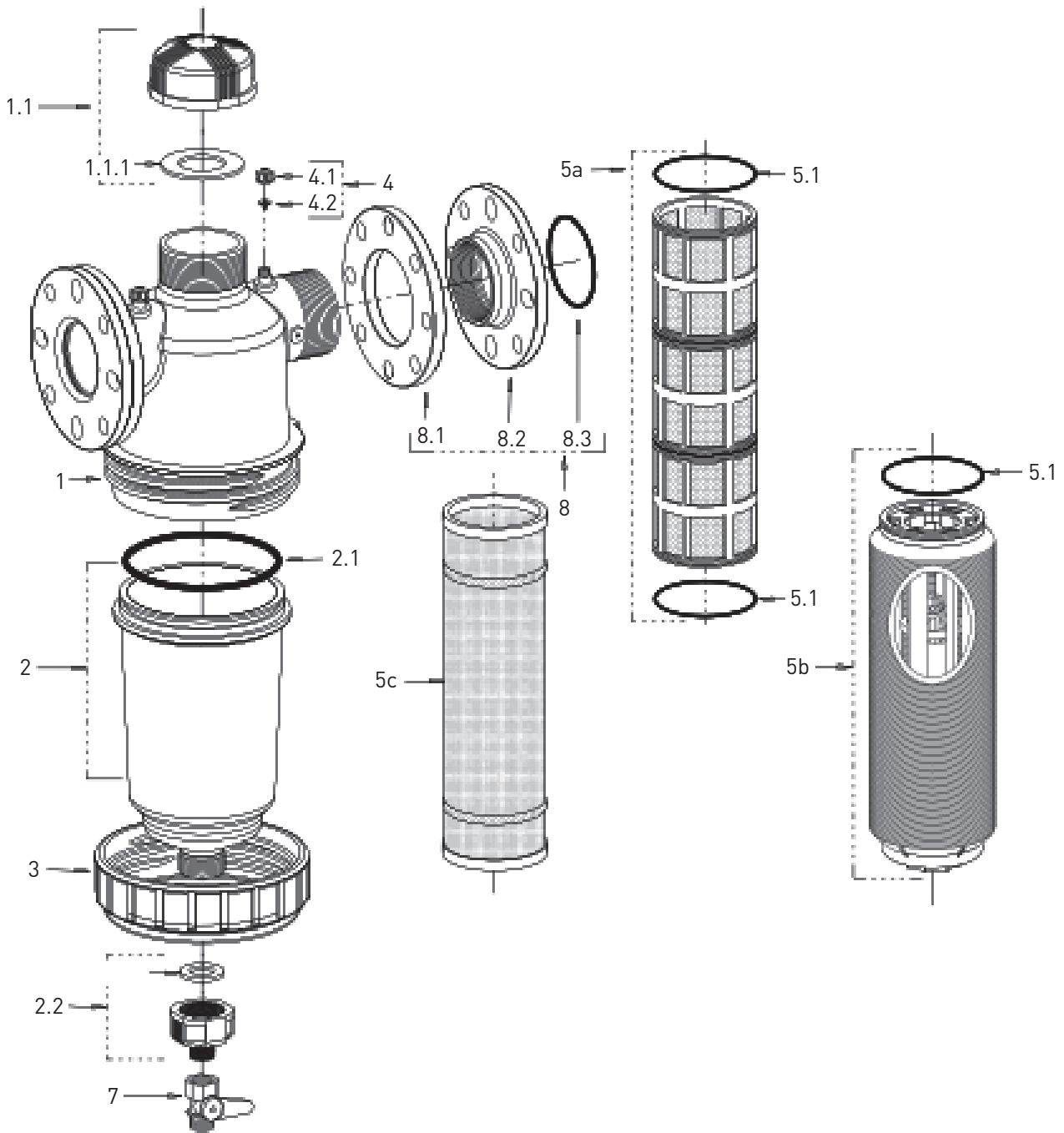
2" T SUPER FILTER



2" T SUPER FILTER

NO.	DESCRIPTION	PART NUMBER
1	2" T Super Housing NPT (PA, Black)	700190-001266
1.1	2" T Cap Assembly NPT	700190-001241
1.1.1	2" T Cap Gasket/Flat Seal, NBR	770103-000041
2	2" T Super Lid BSPT	710103-005700
2.1	2" T Super Lid O-Ring Seal P2-437, NBR	770102-000169
2.2	Connector 3/4" x 1-1/2" BSPT	780101-001125
3	2" T - 3" T Nylon Tightening Nut (Black)	710103-000544
4	Pressure Check Point Plastic, Cap and Grommet	700190-001305
4.1	Pressure Check Point Cap	710101-000547
4.2	Pressure Check Point Rubber Grommet	770104-000067
5a	2" T Super Molded Weavewire St/St 316 Screen, 700SQ.CM. 50 Micron, NBR Seals	700101-000412
	2" T Super Molded Weavewire St/St 316 Screen, 700SQ.CM. 80 Micron, NBR Seals	700101-000413
	2" T Super Molded Weavewire St/St 316 Screen, 700SQ.CM. 100 Micron, NBR Seals	700101-000414
	2" T Super Molded Weavewire St/St 316 Screen, 700SQ.CM. 130 Micron, NBR Seals	700101-000415
	2" T Super Molded Weavewire St/St 316 Screen, 700SQ.CM. 200 Micron, NBR Seals	700101-000416
	2" T Super Molded Weavewire St/St 316 Screen, 700SQ.CM. 300 Micron, NBR Seals	700101-000417
	2" T Super Molded Weavewire St/St 316 Screen, 700SQ.CM. 500 Micron, NBR Seals	700101-000418
5b	2" T Super Disc Element, 1185SQ.CM. 100 Micron, NBR Seals	700101-001666
	2" T Super Disc Element, 1185SQ.CM. 130 Micron, NBR Seals	700101-001512
	2" T Super Disc Element, 1185SQ.CM. 200 Micron, NBR Seals	700101-001668
5c	2" T Super Perforated St/St 316 Screen, 700SQ.CM. 800 Micron	700101-000407
	2" T Super Perforated St/St 316 Screen, 700SQ.CM. 1500 Micron	700101-000408
	2" T Super Perforated St/St 316 Screen, 700SQ.CM. 2500 Micron	700101-000409
	2" T Super Perforated St/St 316 Screen, 700SQ.CM. 3500 Micron	700101-000410
5.1	2" T Super Cylinder O-Ring P2-242, NBR Seal	770102-000130
7	3/4" Ball Valve, Black	300005-000001

3" T FILTER



3" T FILTER

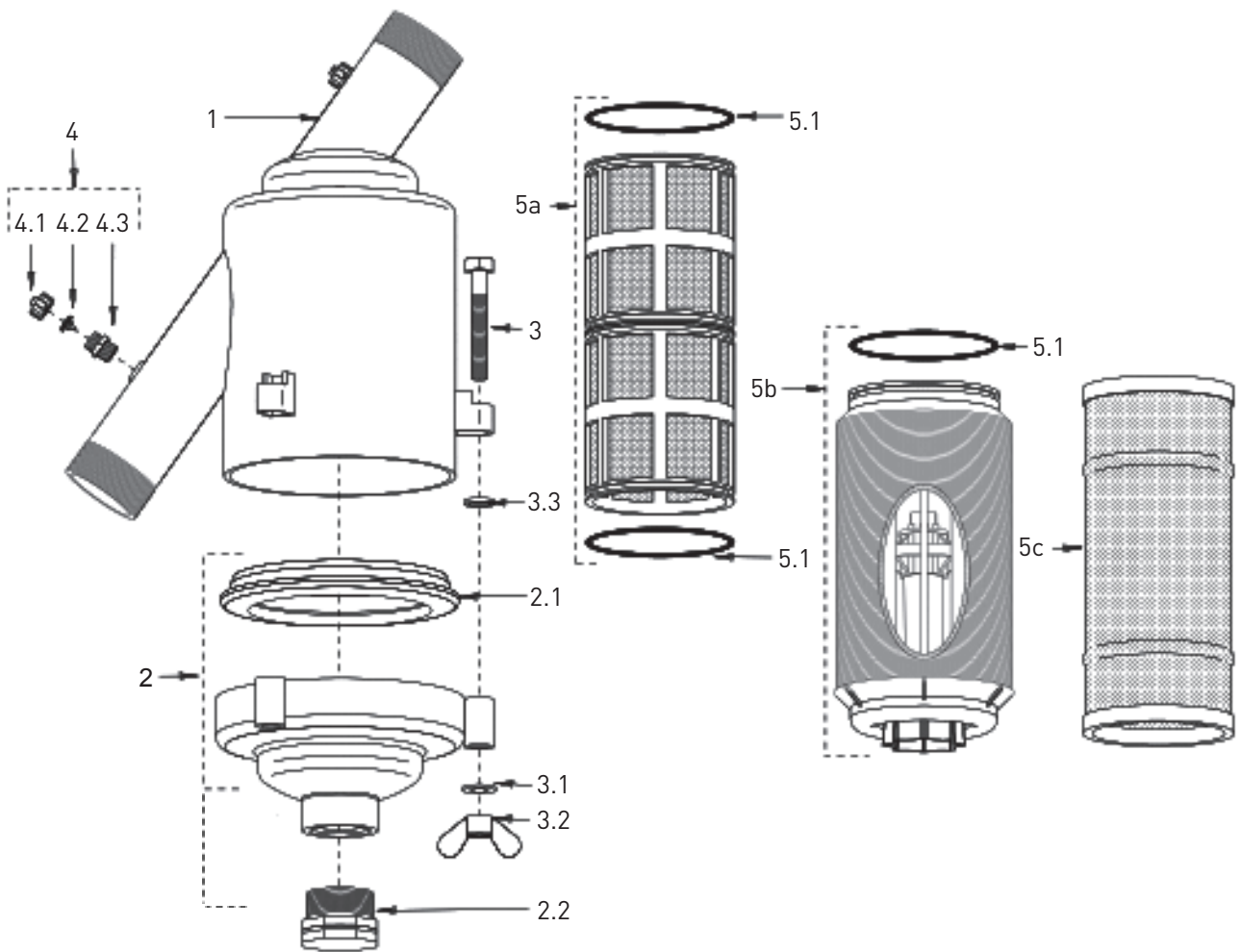
NO.	DESCRIPTION	PART NUMBER
1	3" T Housing NPT (PA, Black)	710103-004386
1.1	3" T Cap Assembly NPT	700190-001406
1.1.1	3" T Cap Flat Seal NBR	770103-000047
2	3" T Lid BSPT	710103-005700
2.1	3" T Lid O-Ring Seal P2-437, NBR	770102-000169
2.2	Connector 3/4" x 1-1/2" BSPT	780101-001125
3	2" T - 3" T Nylon Tightening Nut (Black)	710103-000544
4	Pressure Check Point Plastic w/o Nipple	700190-001305
4.1	Pressure Check Point Cap	710101-000547
4.2	Pressure Check Point Rubber Grommet	770104-000067
5a	3" T Molded Weavewire St/St 316 Screen, 700SQ.CM. 50 Micron, NBR Seals	700101-000412
	3" T Molded Weavewire St/St 316 Screen, 700SQ.CM. 80 Micron, NBR Seals	700101-000413
	3" T Molded Weavewire St/St 316 Screen, 700SQ.CM. 100 Micron, NBR Seals	700101-000414
	3" T Molded Weavewire St/St 316 Screen, 700SQ.CM. 130 Micron, NBR Seals	700101-000415
	3" T Molded Weavewire St/St 316 Screen, 700SQ.CM. 200 Micron, NBR Seals	700101-000416
	3" T Molded Weavewire St/St 316 Screen, 700SQ.CM. 300 Micron, NBR Seals	700101-000417
	3" T Molded Weavewire St/St 316 Screen, 700SQ.CM. 500 Micron, NBR Seals	700101-000418
5b	3" T Disc Element, 1185SQ.CM. 100 Micron, NBR Seals	700101-001666
	3" T Disc Element, 1185SQ.CM. 130 Micron, NBR Seals	700101-001512
	3" T Disc Element, 1185SQ.CM. 200 Micron, NBR Seals	700101-001668
5c	3" T Perforated St/St 316 Screen, 700SQ.CM. 800 Micron	700101-000407
	3" T Perforated St/St 316 Screen, 700SQ.CM. 1500 Micron	700101-000408
	3" T Perforated St/St 316 Screen, 700SQ.CM. 2500 Micron	700101-000409
	3" T Perforated St/St 316 Screen, 700SQ.CM. 3500 Micron	700101-000410
5.1	3" T Cylinder O-Ring P2-242, NBR Seal	770102-000130
7	3/4" Ball Valve, Black	300005-000001
8	3" T Universal Flange Assembly ASA150	700190-001268
8.1	3" Universal Flange Support	710105-003783
8.2	3" Plastic Flange NPT	710103-000568
8.3	3" Flange O-Ring Seal P2-339, NBR	770102-000150

TABLE OF CONTENTS

Steel Filters

2" Steel Filter	B1-2
3" Steel Filter	B3-4
4" Compact Filter	B5-6
4" Super Filter	B7-8
6" Compact Filter	B9-10
6" Super In-line Filter	B11-12
8" In-line Filter	B13-14
8" Modular Filter	B15-16

2" STEEL FILTER

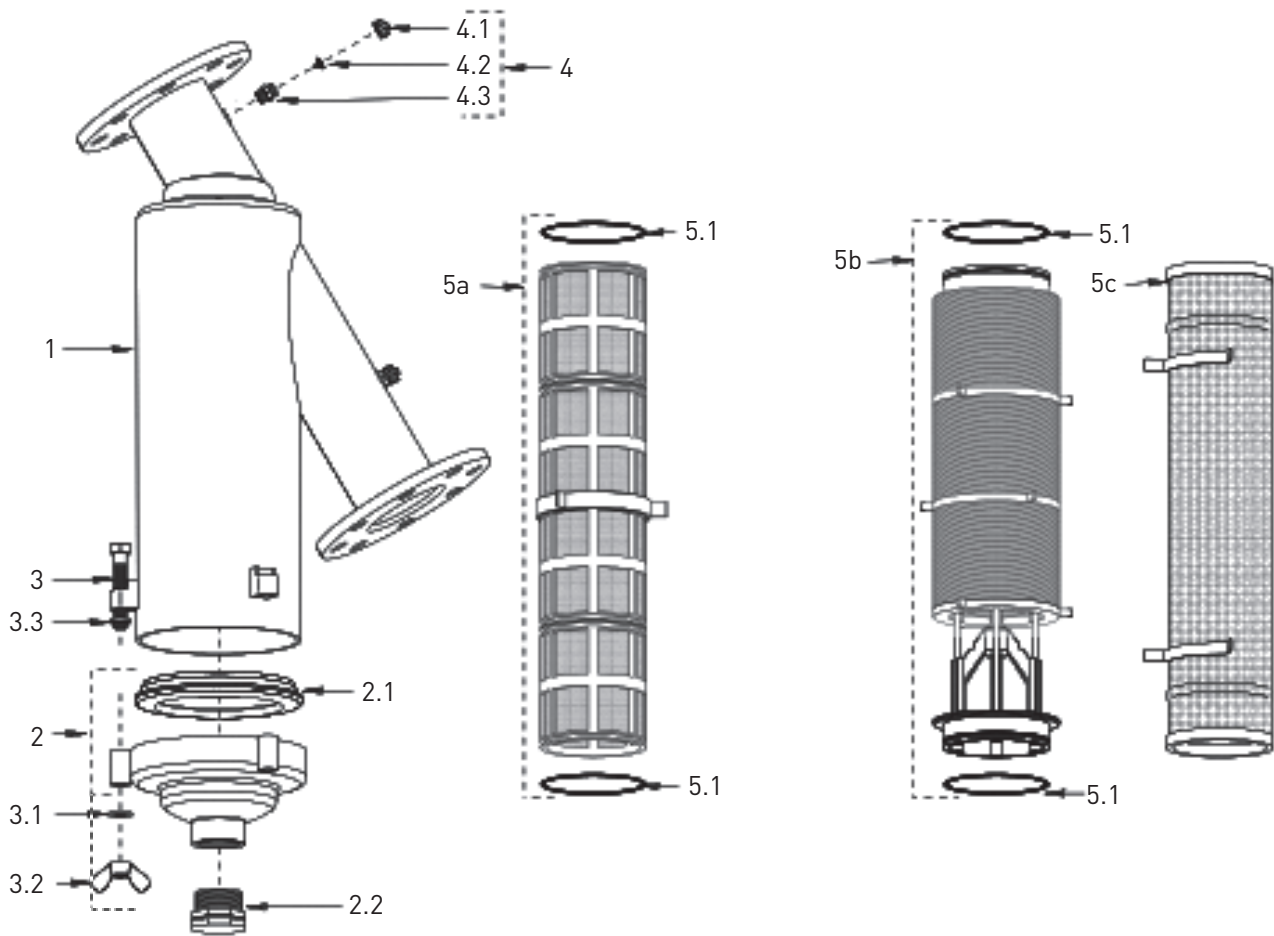


2" STEEL FILTER

NO.	DESCRIPTION	SAP. CAT.NO.
1	2" Housing Steel NPT	710105-000051
2	2"-4" Steel Filter Dome Lid, Complete	700190-001310
2.1	2"-4" Service Port Shaped Lid Seal, NBR	770104-000083
2.2	2"-4" Filter Dome Lid Plug, 1-1/2"	780101-000948
3	Hex Bolt Partial Thread M12 x 80, Carbon Steel	760101-000322
3.1	Flat Washer M12 DIN125, Zinc Plated Carbon Steel	760103-000077
3.2	Wing Nut M12 DIN315, Brass	760102-000113
3.3	2"-4" Plastic Washer M12	710101-000632
4	Pressure Check Point - Complete (Steel)	700190-001306
4.1	Pressure Check Point Plastic Cap w/o Grommet	710101-000547
4.2	Pressure Check Point Rubber Grommet	770104-000067
4.3	Pressure Check Point 1/4"M Brass Nipple	710103-000591
5a	2" Molded Weavewire St/St 316 Screen, 465SQ.CM. 50 Micron, NBR Seals	700101-000385
	2" Molded Weavewire St/St 316 Screen, 465SQ.CM. 80 Micron, NBR Seals	700101-000386
	2" Molded Weavewire St/St 316 Screen, 465SQ.CM. 100 Micron, NBR Seals	700101-000387
	2" Molded Weavewire St/St 316 Screen, 465SQ.CM. 130 Micron, NBR Seals	700101-000388
	2" Molded Weavewire St/St 316 Screen, 465SQ.CM. 200 Micron, NBR Seals	700101-000389
	2" Molded Weavewire St/St 316 Screen, 465SQ.CM. 300 Micron, NBR Seals	700101-000390
	2" Molded Weavewire St/St 316 Screen, 465SQ.CM. 500 Micron, NBR Seals	700101-000391
5b	2" Disc Element - Discontinued	
5c	2" Perforated St/St 316 Screen, 465SQ.CM. 800 Micron	700101-000381
	2" Perforated St/St 316 Screen, 465SQ.CM. 1500 Micron	700101-000382
	2" Perforated St/St 316 Screen, 465SQ.CM. 2500 Micron	700101-000383
	2" Perforated St/St 316 Screen, 465SQ.CM. 3500 Micron	700101-000384
5.1	2" Cylinder O-Ring P2-242, NBR Seal	770102-000130

(2.1 Note: Old Style 2"-4" Service Port Lid Seal with Lip, NBR is 770104-000081)

3" STEEL FILTER

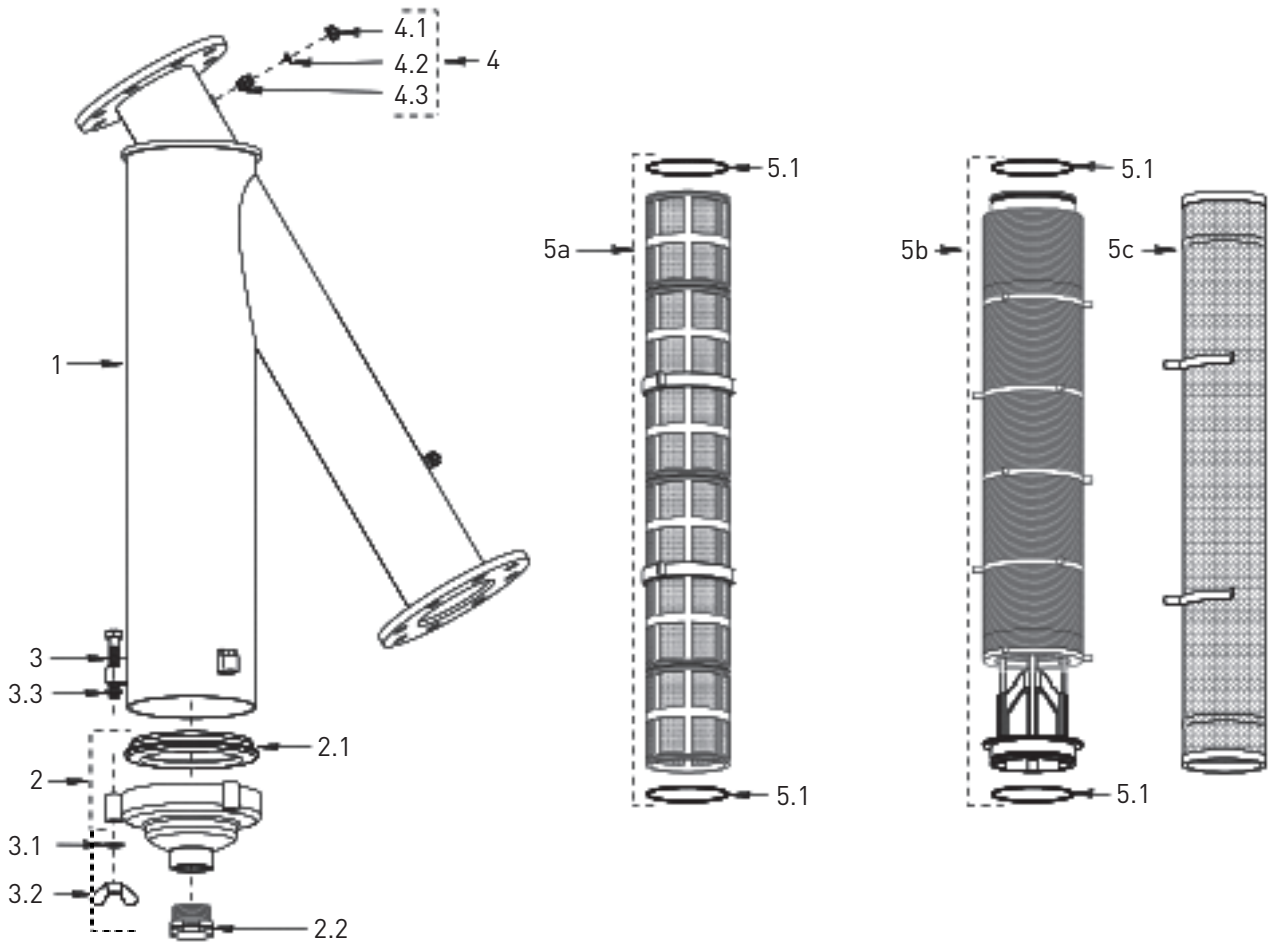


3" STEEL FILTER

NO.	DESCRIPTION	SAP. CAT.NO.
1	3" Housing Steel ASA150	710105-000112
2	2"-4" Steel Filter Dome Lid, Complete	700190-001310
2.1	2"-4" Service Port Shaped Lid Seal, NBR	770104-000083
2.2	2"-4" Filter Dome Lid Plug, 1-1/2"	780101-000948
3	Hex Bolt Partial Thread M12 x 80, Carbon Steel	760101-000322
3.1	Flat Washer M12 DIN125, Zinc Plated Carbon Steel	760103-000077
3.2	Wing Nut M12 DIN315, Brass	760102-000113
3.3	2"-4" Plastic Washer M12	710101-000632
4	Pressure Check Point - Complete (Steel)	700190-001306
4.1	Pressure Check Point Plastic Cap w/o Grommet	710101-000547
4.2	Pressure Check Point Rubber Grommet	770104-000067
4.3	Pressure Check Point 1/4"M Brass Nipple	710103-000591
5a	3" Molded Weavewire St/St 316 Screen, 930SQ.CM. 50 Micron, NBR Seals	700101-000446
	3" Molded Weavewire St/St 316 Screen, 930SQ.CM. 80 Micron, NBR Seals	700101-000447
	3" Molded Weavewire St/St 316 Screen, 930SQ.CM. 100 Micron, NBR Seals	700101-000448
	3" Molded Weavewire St/St 316 Screen, 930SQ.CM. 130 Micron, NBR Seals	700101-000449
	3" Molded Weavewire St/St 316 Screen, 930SQ.CM. 200 Micron, NBR Seals	700101-000450
	3" Molded Weavewire St/St 316 Screen, 930SQ.CM. 300 Micron, NBR Seals	700101-000451
	3" Molded Weavewire St/St 316 Screen, 930SQ.CM. 500 Micron, NBR Seals	700101-000452
5b	3" Disc Element - Discontinued	
5c	3" Perforated St/St 316 Screen, 1430SQ.CM. 800 Micron	700101-000438
	3" Perforated St/St 316 Screen, 1430SQ.CM. 1500 Micron	700101-000439
	3" Perforated St/St 316 Screen, 1430SQ.CM. 2500 Micron	700101-000440
	3" Perforated St/St 316 Screen, 1430SQ.CM. 3500 Micron	700101-000441
5.1	3" Cylinder O-Ring P2-242, NBR Seal	770102-000130

(2.1 Note: Old Style 2"-4" Service Port Lid Seal with Lip, NBR is 770104-000081)

4" COMPACT FILTER

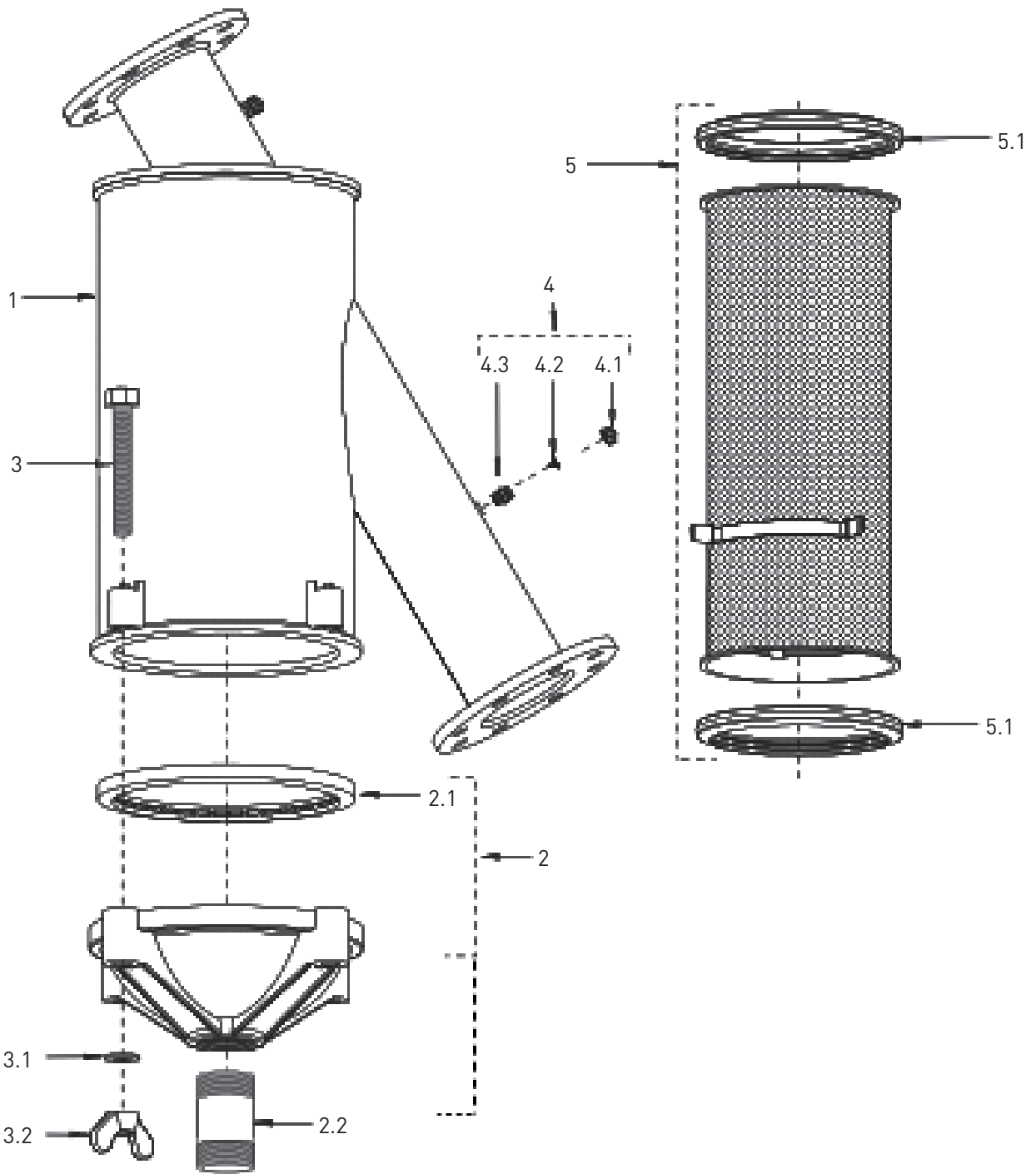


4" COMPACT FILTER

NO.	DESCRIPTION	SAP. CAT.NO.
1	4" Housing Steel ASA150	710105-000
2	2"-4" Steel Filter Dome Lid, Complete	700190-001310
2.1	2"-4" Service Port Shaped Lid Seal, NBR	770104-000083
2.2	2"-4" Filter Dome Lid Plug, 1-1/2"	780101-000948
3	Hex Bolt Partial Thread M12 x 80, Carbon Steel	760101-000322
3.1	Flat Washer M12 DIN125, Zinc Plated Carbon Steel	760103-000077
3.2	Wing Nut M12 DIN315, Brass	760102-000113
3.3	2"-4" Plastic Washer M12	710101-000632
4	Pressure Check Point - Complete (Steel)	700190-001306
4.1	Pressure Check Point Plastic Cap w/o Grommet	710101-000547
4.2	Pressure Check Point Rubber Grommet	770104-000067
4.3	Pressure Check Point 1/4"M Brass Nipple	710103-000591
5a	4" Molded Weavewire St/St 316 Screen, 1850SQ.CM. 50 Micron, NBR Seals	700101-000470
	4" Molded Weavewire St/St 316 Screen, 1850SQ.CM. 80 Micron, NBR Seals	700101-000471
	4" Molded Weavewire St/St 316 Screen, 1850SQ.CM. 100 Micron, NBR Seals	700101-000472
	4" Molded Weavewire St/St 316 Screen, 1850SQ.CM. 130 Micron, NBR Seals	700101-000473
	4" Molded Weavewire St/St 316 Screen, 1850SQ.CM. 200 Micron, NBR Seals	700101-000474
	4" Molded Weavewire St/St 316 Screen, 1850SQ.CM. 300 Micron, NBR Seals	700101-000475
	4" Molded Weavewire St/St 316 Screen, 1850SQ.CM. 500 Micron, NBR Seals	700101-000476
5b	4" Disc Element - Discontinued	
5c	4" Perforated St/St 316 Screen, 2175SQ.CM. 800 Micron	700101-000464
	4" Perforated St/St 316 Screen, 2175SQ.CM. 1500 Micron	700101-000465
	4" Perforated St/St 316 Screen, 2175SQ.CM. 2500 Micron	700101-000466
	4" Perforated St/St 316 Screen, 2175SQ.CM. 3500 Micron	700101-000467
5.1	4" Cylinder O-Ring P2-242, NBR Seal	770102-000130

(2.1 Note: Old Style 2"-4" Service Port Lid Seal with Lip, NBR is 770104-000081)

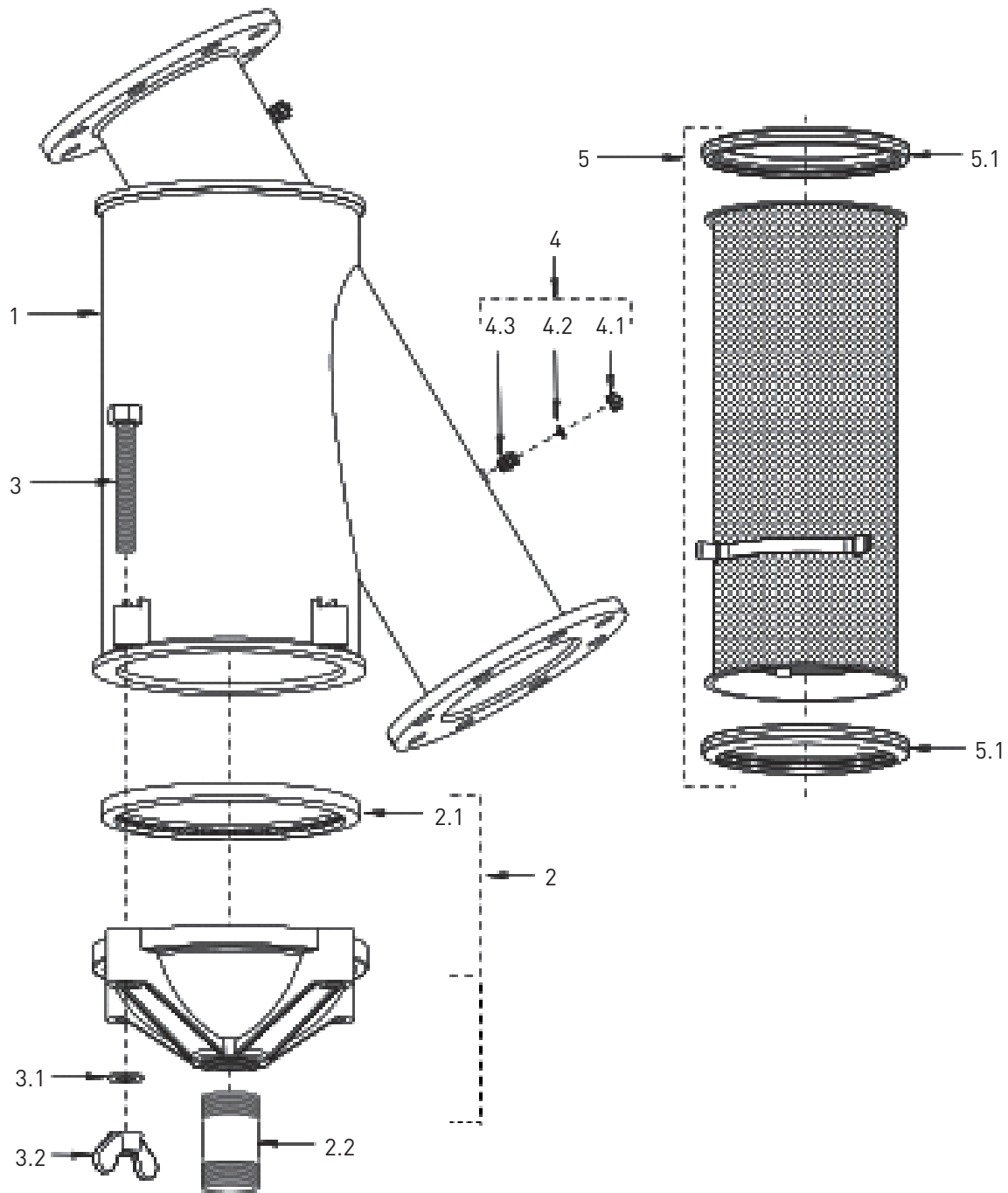
4" SUPER FILTER PARTS



4" SUPER FILTER

NO.	DESCRIPTION	SAP. CAT.NO.
1	4" Super Housing Steel ASA150	710105-000154
2	4" Super - 14" Steel Filter Lid, Complete (Polyester)	700190-001459
2.1	4" Super - 14" Steel Hydraulic Lid Seal AM-07 (Polyester Lid)	770104-000089
2.2	PVC Nipple 2" x 100mm	780101-000937
3	Hex Bolt Partial Thread 3/4" UNC x 5 1/4" Zinc Plated Carbon Steel	760101-000297
3.1	Flat Washer M20 DIN125, Zinc Plated Carbon Steel	760103-000070
3.2	Wing Nut 3/4" Zinc Plated Carbon Steel	760102-000076
4	Pressure Check Point - Complete (Steel Filters)	700190-001306
4.1	Pressure Check Point Plastic w/o Grommet	710101-000547
4.2	Pressure Check Point Rubber Grommet	770104-000067
4.3	Pressure Check Point 1/4"M Brass Nipple	710103-000591
5	4" Super Molded Weavewire St/St 316 Screen, 2740SQ.CM. 80 Micron, EPDM Seals	700101-000487
	4" Super Molded Weavewire St/St 316 Screen, 2740SQ.CM. 100 Micron, EPDM Seals	700101-000488
	4" Super Molded Weavewire St/St 316 Screen, 2740SQ.CM. 130 Micron, EPDM Seals	700101-000489
	4" Super Molded Weavewire St/St 316 Screen, 2740SQ.CM. 200 Micron, EPDM Seals	700101-000490
	4" Super Molded Weavewire St/St 316 Screen, 2740SQ.CM. 300 Micron, EPDM Seals	700101-000491
	4" Super Molded Weavewire St/St 316 Screen, 2740SQ.CM. 500 Micron, EPDM Seals	700101-000492
5	4" Super Perforated St/St 316 Screen, 2740SQ.CM. 500 Micron, EPDM Seals	700101-000485
	4" Super Perforated St/St 316 Screen, 2740SQ.CM. 800 Micron, EPDM Seals	700101-000486
	4" Super Perforated St/St 316 Screen, 2740SQ.CM. 1500 Micron, EPDM Seals	700101-000482
	4" Super Perforated St/St 316 Screen, 2740SQ.CM. 2500 Micron, EPDM Seals	700101-000483
	4" Super Perforated St/St 316 Screen, 2740SQ.CM. 3500 Micron, EPDM Seals	700101-000484
5.1	4" Super Cylinder Hydraulic Seal, EPDM	770104-000080

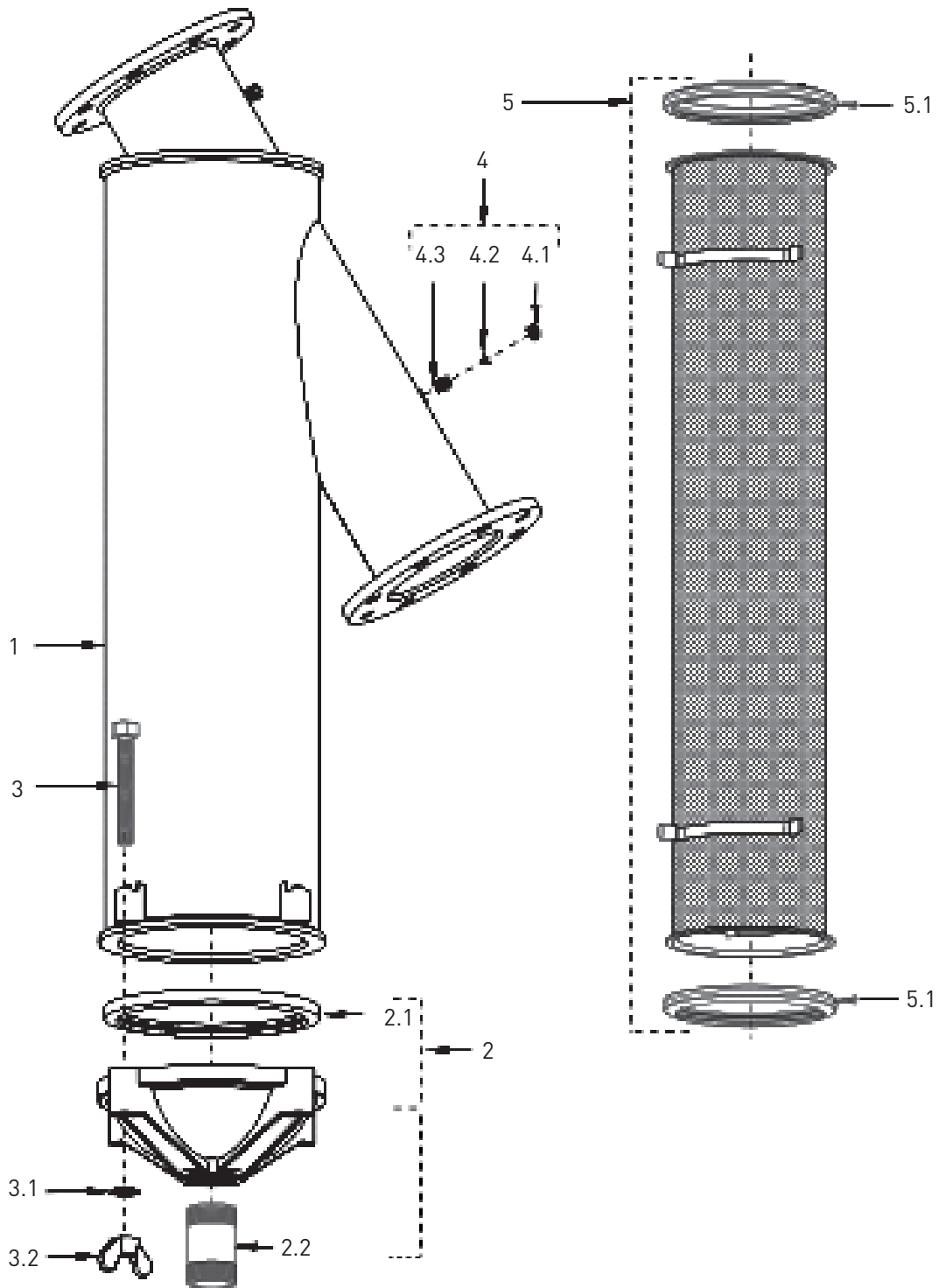
6" COMPACT FILTER PARTS



6" COMPACT FILTER

NO.	DESCRIPTION	SAP. CAT.NO.
1	6" Compact Housing Steel ASA150	710105-000196
2	4" Super - 14" Steel Filter Lid, Complete (Polyester)	700190-001459
2.1	4" Super - 14" Steel Hydraulic Lid Seal AM-07 (Polyester Lid)	770104-000089
2.2	PVC Nipple 2" x 100mm	780101-000937
3	Hex Bolt Partial Thread 3/4" UNC x 5 1/4" Zinc Plated Carbon Steel	760101-000297
3.1	Flat Washer M20 DIN125, Zinc Plated Carbon Steel	760103-000070
3.2	Wing Nut 3/4" Zinc Plated Carbon Steel	760102-000076
4	Pressure Check Point - Complete (Steel Filters)	700190-001306
4.1	Pressure Check Point Plastic w/o Grommet	710101-000547
4.2	Pressure Check Point Rubber Grommet	770104-000067
4.3	Pressure Check Point 1/4"M Brass Nipple	710103-000591
5	6" Compact Molded Weavewire St/St 316 Screen, 2740SQ.CM. 80 Micron, EPDM Seals	700101-000487
	6" Compact Molded Weavewire St/St 316 Screen, 2740SQ.CM. 100 Micron, EPDM Seals	700101-000488
	6" Compact Molded Weavewire St/St 316 Screen, 2740SQ.CM. 130 Micron, EPDM Seals	700101-000489
	6" Compact Molded Weavewire St/St 316 Screen, 2740SQ.CM. 200 Micron, EPDM Seals	700101-000490
	6" Compact Molded Weavewire St/St 316 Screen, 2740SQ.CM. 300 Micron, EPDM Seals	700101-000491
	6" Compact Molded Weavewire St/St 316 Screen, 2740SQ.CM. 500 Micron, EPDM Seals	700101-000492
5	6" Compact Perforated St/St 316 Screen, 2740SQ.CM. 500 Micron, EPDM Seals	700101-000485
	6" Compact Perforated St/St 316 Screen, 2740SQ.CM. 800 Micron, EPDM Seals	700101-000486
	6" Compact Perforated St/St 316 Screen, 2740SQ.CM. 1500 Micron, EPDM Seals	700101-000482
	6" Compact Perforated St/St 316 Screen, 2740SQ.CM. 2500 Micron, EPDM Seals	700101-000483
	6" Compact Perforated St/St 316 Screen, 2740SQ.CM. 3500 Micron, EPDM Seals	700101-000484
5.1	6" Compact Cylinder Hydraulic Seal, EPDM	770104-000080

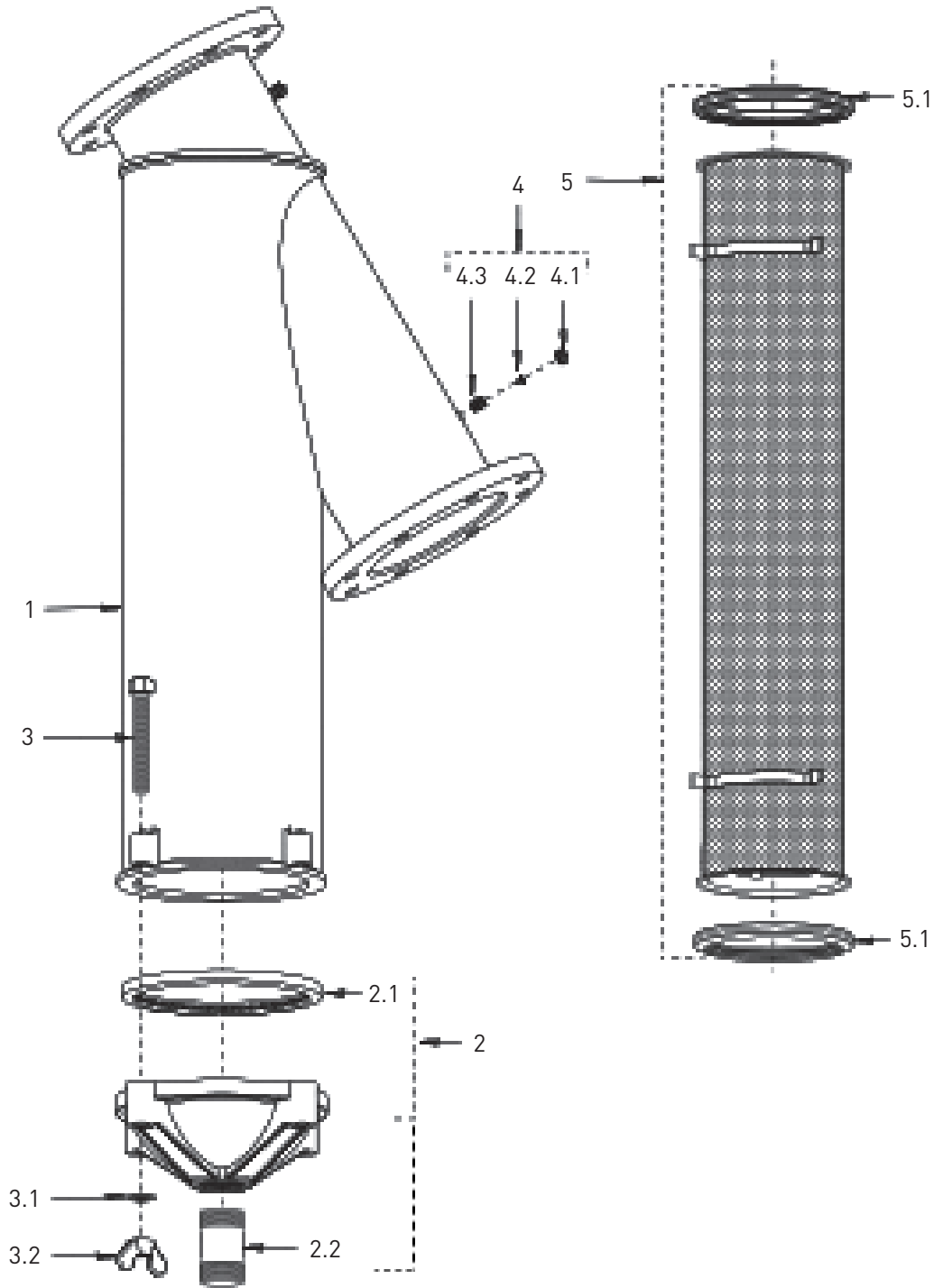
6" SUPER IN-LINE FILTER



6" SUPER IN-LINE FILTER

NO.	DESCRIPTION	SAP. CAT.NO.
1	6" Super Housing Steel ASA150	710105-000203
2	4" Super - 14" Steel Filter Lid, Complete (Polyester)	700190-001459
2.1	4" Super - 14" Steel Hydraulic Lid Seal AM-07 (Polyester Lid)	770104-000089
2.2	PVC Nipple 2" x 100mm	780101-000937
3	Hex Bolt Partial Thread 3/4" UNC x 5 1/4" Zinc Plated Carbon Steel	760101-000297
3.1	Flat Washer M20 DIN125, Zinc Plated Carbon Steel	760103-000070
3.2	Wing Nut 3/4" Zinc Plated Carbon Steel	760102-000076
4	Pressure Check Point - Complete (Steel Filters)	700190-001306
4.1	Pressure Check Point Plastic w/o Grommet	710101-000547
4.2	Pressure Check Point Rubber Grommet	770104-000067
4.3	Pressure Check Point 1/4"M Brass Nipple	710103-000591
5	6" Super Molded Weavewire St/St 316 Screen, 5720SQ.CM. 80 Micron, EPDM Seals	700101-000513
	6" Super Molded Weavewire St/St 316 Screen, 5720SQ.CM. 100 Micron, EPDM Seals	700101-000514
	6" Super Molded Weavewire St/St 316 Screen, 5720SQ.CM. 130 Micron, EPDM Seals	700101-000515
	6" Super Molded Weavewire St/St 316 Screen, 5720SQ.CM. 200 Micron, EPDM Seals	700101-000516
	6" Super Molded Weavewire St/St 316 Screen, 5720SQ.CM. 300 Micron, EPDM Seals	700101-000517
	6" Super Molded Weavewire St/St 316 Screen, 5720SQ.CM. 500 Micron, EPDM Seals	700101-000518
5	6" Super Perforated St/St 316 Screen, 5720SQ.CM. 500 Micron, EPDM Seals	700101-000511
	6" Super Perforated St/St 316 Screen, 5720SQ.CM. 800 Micron, EPDM Seals	700101-000512
	6" Super Perforated St/St 316 Screen, 5720SQ.CM. 1500 Micron, EPDM Seals	700101-000508
	6" Super Perforated St/St 316 Screen, 5720SQ.CM. 2500 Micron, EPDM Seals	700101-000509
	6" Super Perforated St/St 316 Screen, 5720SQ.CM. 3500 Micron, EPDM Seals	700101-000510
5.1	6" Super Cylinder Hydraulic Seal, EPDM	770104-000080

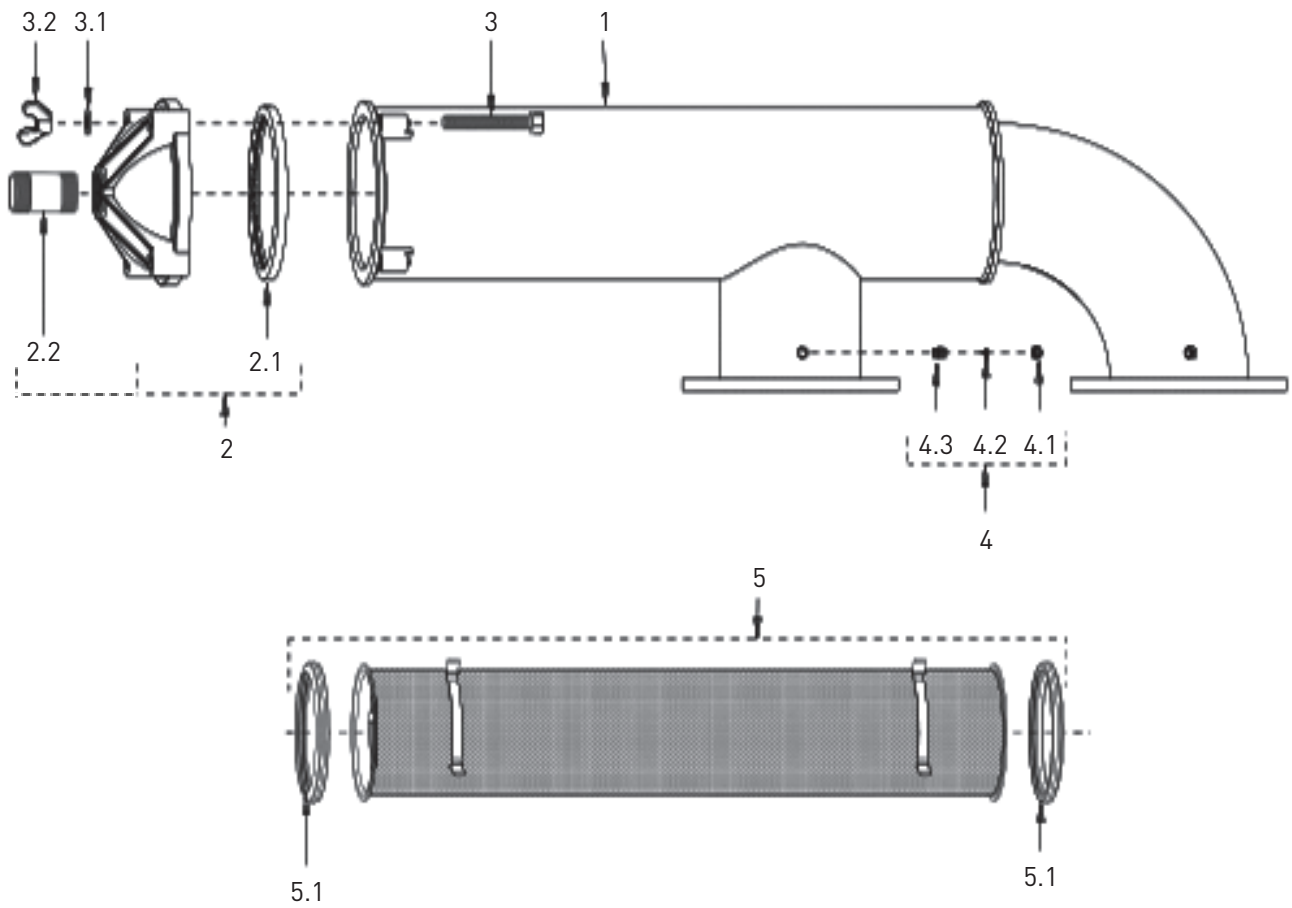
8" IN-LINE FILTER



8" IN-LINE FILTER

NO.	DESCRIPTION	SAP. CAT.NO.
1	8" In-Line Housing Steel ASA150	710105-000246
2	4" Super - 14" Steel Filter Lid, Complete (Polyester)	700190-001459
2.1	4" Super - 14" Steel Hydraulic Lid Seal AM-07 (Polyester Lid)	770104-000089
2.2	PVC Nipple 2" x 100mm	780101-000937
3	Hex Bolt Partial Thread 3/4" UNC x 5 1/4" Zinc Plated Carbon Steel	760101-000297
3.1	Flat Washer M20 DIN125, Zinc Plated Carbon Steel	760103-000070
3.2	Wing Nut 3/4" Zinc Plated Carbon Steel	760102-000076
4	Pressure Check Point -Complete (Steel Filters)	700190-001306
4.1	Pressure Check Point Plastic w/o Grommet	710101-000547
4.2	Pressure Check Point Rubber Grommet	770104-000067
4.3	Pressure Check Point 1/4"M Brass Nipple	710103-000591
5	8" In-Line Molded Weavewire St/St 316 Screen, 5720SQ.CM. 80 Micron, EPDM Seals	700101-000513
	8" In-Line Molded Weavewire St/St 316 Screen, 5720SQ.CM. 100 Micron, EPDM Seals	700101-000514
	8" In-Line Molded Weavewire St/St 316 Screen, 5720SQ.CM. 130 Micron, EPDM Seals	700101-000515
	8" In-Line Molded Weavewire St/St 316 Screen, 5720SQ.CM. 200 Micron, EPDM Seals	700101-000516
	8" In-Line Molded Weavewire St/St 316 Screen, 5720SQ.CM. 300 Micron, EPDM Seals	700101-000517
	8" In-Line Molded Weavewire St/St 316 Screen, 5720SQ.CM. 500 Micron, EPDM Seals	700101-000518
5	8" In-Line Perforated St/St 316 Screen, 5720SQ.CM. 500 Micron, EPDM Seals	700101-000511
	8" In-Line Perforated St/St 316 Screen, 5720SQ.CM. 800 Micron, EPDM Seals	700101-000512
	8" In-Line Perforated St/St 316 Screen, 5720SQ.CM. 1500 Micron, EPDM Seals	700101-000508
	8" In-Line Perforated St/St 316 Screen, 5720SQ.CM. 2500 Micron, EPDM Seals	700101-000509
	8" In-Line Perforated St/St 316 Screen, 5720SQ.CM. 3500 Micron, EPDM Seals	700101-000510
5.1	8" In-Line Cylinder Hydraulic Seal, EPDM	770104-000080

8" MODULAR FILTER



8" MODULAR FILTER

NO.	DESCRIPTION	SAP. CAT.NO.
1	8" Modular Housing Steel ASA150	710105-000259
2	4" Super - 14" Steel Filter Lid, Complete (Polyester)	700190-001459
2.1	4" Super - 14" Steel Hydraulic Lid Seal AM-07 (Polyester Lid)	770104-000089
2.2	PVC Nipple 2" x 100mm	780101-000937
3	Hex Bolt Partial Thread 3/4" UNC x 5 1/4" Zinc Plated Carbon Steel	760101-000297
3.1	Flat Washer M20 DIN125, Zinc Plated Carbon Steel	760103-000070
3.2	Wing Nut 3/4" Zinc Plated Carbon Steel	760102-000076
4	Pressure Check Point - Complete (Steel Filters)	700190-001306
4.1	Pressure Check Point Plastic w/o Grommet	710101-000547
4.2	Pressure Check Point Rubber Grommet	770104-000067
4.3	Pressure Check Point 1/4"M Brass Nipple	710103-000591
5	8" Modular Molded Weavewire St/St 316 Screen, 5720SQ.CM. 80 Micron, EPDM Seals	700101-000513
	8" Modular Molded Weavewire St/St 316 Screen, 5720SQ.CM. 100 Micron, EPDM Seals	700101-000514
	8" Modular Molded Weavewire St/St 316 Screen, 5720SQ.CM. 130 Micron, EPDM Seals	700101-000515
	8" Modular Molded Weavewire St/St 316 Screen, 5720SQ.CM. 200 Micron, EPDM Seals	700101-000516
	8" Modular Molded Weavewire St/St 316 Screen, 5720SQ.CM. 300 Micron, EPDM Seals	700101-000517
	8" Modular Molded Weavewire St/St 316 Screen, 5720SQ.CM. 500 Micron, EPDM Seals	700101-000518
5	8" Modular Perforated St/St 316 Screen, 5720SQ.CM. 500 Micron, EPDM Seals	700101-000511
	8" Modular Perforated St/St 316 Screen, 5720SQ.CM. 800 Micron, EPDM Seals	700101-000512
	8" Modular Perforated St/St 316 Screen, 5720SQ.CM. 1500 Micron, EPDM Seals	700101-000508
	8" Modular Perforated St/St 316 Screen, 5720SQ.CM. 2500 Micron, EPDM Seals	700101-000509
	8" Modular Perforated St/St 316 Screen, 5720SQ.CM. 3500 Micron, EPDM Seals	700101-000510
5.1	8" Modular Cylinder Hydraulic Seal, EPDM	770104-000080

TABLE OF CONTENTS

Semi Automatic Filters

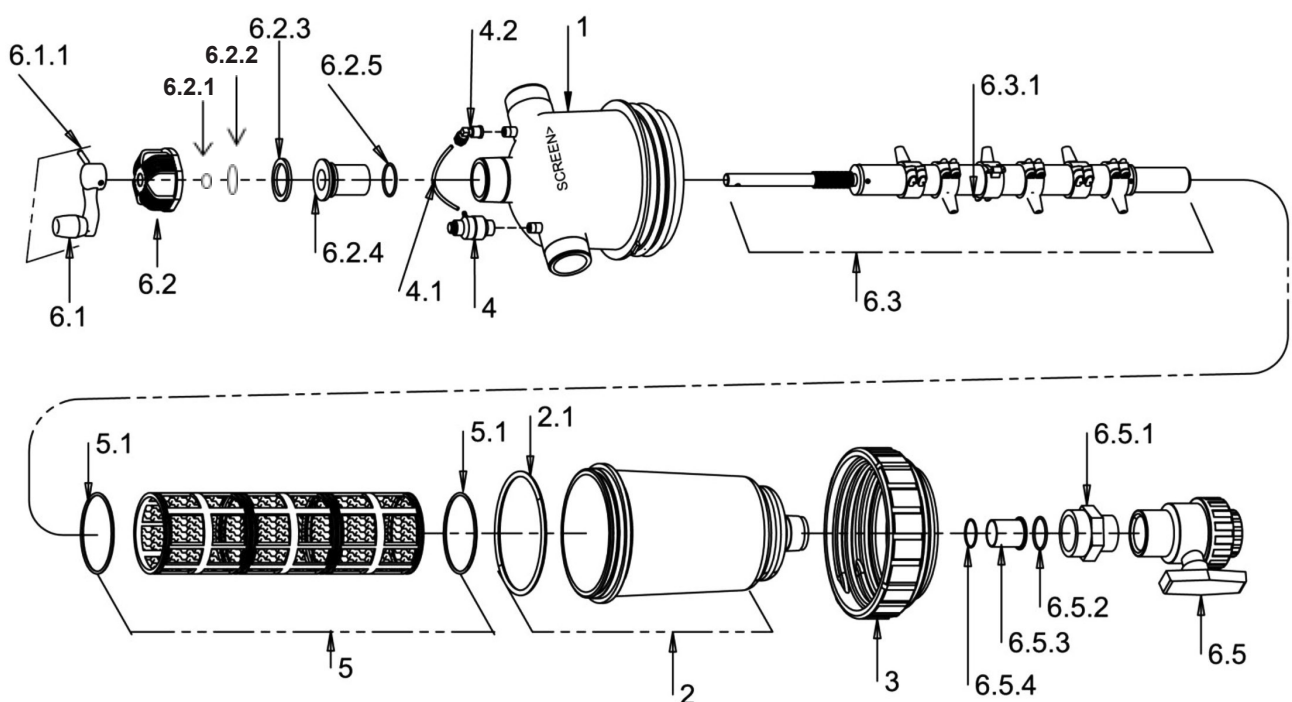
Semi Automatic 2" T, 2" T Super, and 3" T Plastic Filter Scanaway	C1-2
Semi Automatic 2" T, 2" T Super, and 3" T Plastic Filter Brushaway	C3-4
Semi Automatic 3" Steel Filter Scanaway	C5-6
Semi Automatic 3" Steel Filter Brushaway	C7-8
Semi Automatic 4" Super and 6" Compact Steel Filter Scanaway	C9-11
Semi Automatic 4" Super and 6" Compact Steel Filter Brushaway	C12-13
Semi Automatic 6" Super and 8" In-Line Steel Filter Scanaway	C14-16
Semi Automatic 6" Super and 8" In-Line Steel Filter Brushaway	C17-18
Semi Automatic 8" Modular Steel Filter Scanaway	C19-21
Semi Automatic 8" Modular Steel Filter Brushaway	C22-23

Semi Automatic 2" T, 2" T Super, and 3" T Plastic Filter Scanaway

NO.	DESCRIPTION	SAP. CAT.NO.
1	2" T & 2" T Super Housing NPT (PA, Black)	700190-001266
1	3" T Housing NPT (PA, Black)	710103-004386
2	2" T Lid BSPT	710103-005731
2	2" T Super & 3" T Lid BSPT	710103-005700
2.1	2" T, 2" T Super & 3" T Lid O-Ring Seal P2-437, NBR	770102-000169
3	2" T, 2" T Super & 3" T Nylon Tightening Nut (Black)	710103-000544
4	Clogging Indicator Kit (Includes Tube and Connector)	700190-001304
4.1	Pilot Tubing 6mm	720502-000019
4.2	L-Connector 1/4"F x 6mm	720501-000196
5	2" T Molded Weavewire Screen	See Page A12
5	2" T Super & 3" T Molded Weavewire Screen	See Page A14
5.1	2" T, 2" T Super & 3" T Cylinder O-Ring P2-242, NBR Seal	770102-000130
6.1	Scanaway and Brushaway Operating Handle (2"-4"), with Pin	700190-001414
6.1.1	Scanaway and Brushaway Operating Handle Pin	710101-000651
6.2	Scanaway and Brushaway Cap Assembly 2" T & 2" T Super, NPT	700190-001394
6.2	Scanaway and Brushaway Cap Assembly 3" T, NPT	700190-001406
6.2.1	Cap O-Ring P2-114, NBR Seal	770102-000083
6.2.2	Brass Ring for Scanaway and Brushaway Cap	710103-000700
6.2.3	Cap Flat Seal for 2" T & 2" T Super, NBR	770103-000041
6.2.3	Cap Flat Seal for 3" T, NBR	770103-000047
6.2.4	Suction Scanner Drive Bushing for 2" T & 2" T Super	710103-000692

Semi Automatic 2" T, 2" T Super, and 3" T Plastic Filter Scanaway

NO.	DESCRIPTION	SAP. CAT.NO.
6.2.4	Suction Scanner Drive Bushing for 3" T	710103-000710
6.2.5	O-Ring P2-129 for 2" T & 2" T Super, NBR	770102-000096
6.2.5	O-Ring P2-232 for 3" T, NBR	770102-000121
6.3	Suction Scanner for 2" T	700190-001395
6.3	Suction Scanner for 2" T Super & 3" T	700190-001396
6.3.1	Suction Scanner Nozzle for 2" T, 2" T Super & 3" T Scanaway, and TAF	710101-000751
6.5	1-1/2" PVC Ball Valve, NPT	730104-000339
6.5.1	Connector 1-1/2" F x 1-1/2" M, Carbon Steel	780101-000955
6.5.2	O-Ring P2-129, NBR	770102-000096
6.5.3	External Lower Bearing for Suction Scanner	710101-001370
6.5.4	O-Ring P2-028, NBR	770102-000069

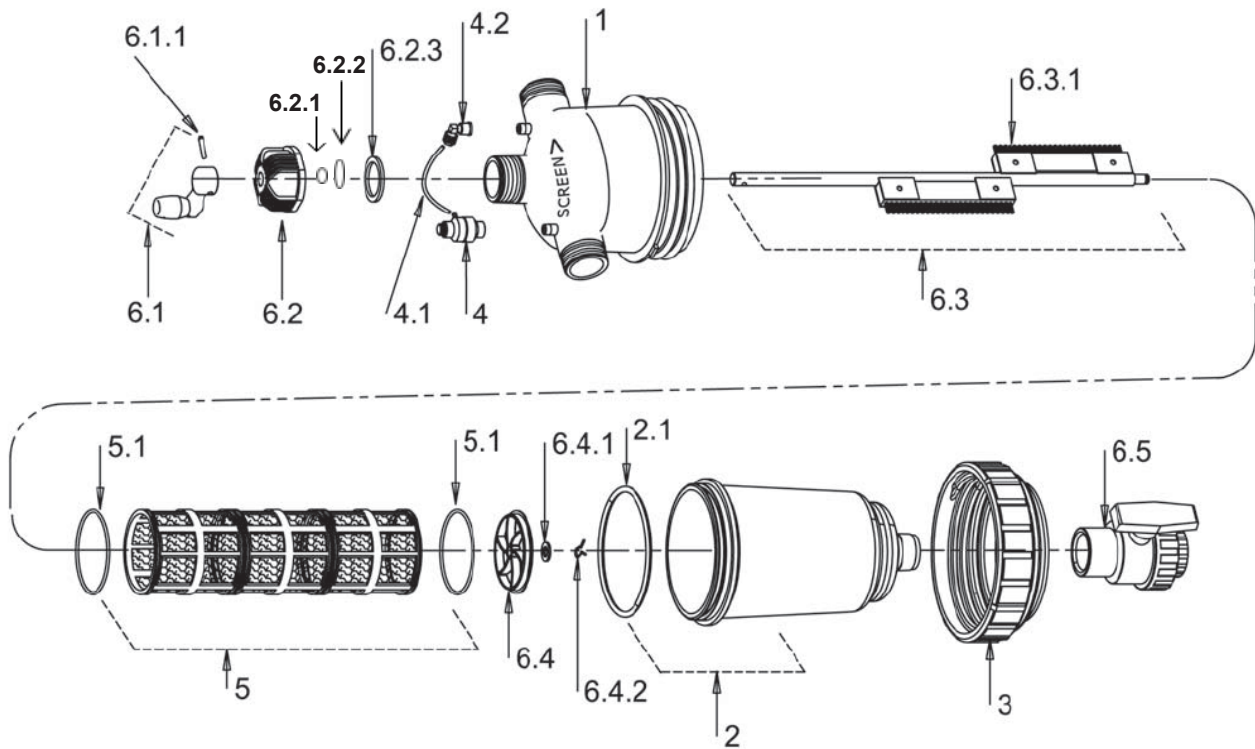


Semi Automatic 2" T, 2" T Super, and 3" T Plastic Filter Brushaway

NO.	DESCRIPTION	SAP. CAT.NO.
1	2" T and 2" T Super Housing NPT (PA, Black)	700190-001266
1	3" T Housing NPT (PA, Black)	710103-004386
2	2" T Lid BSPT	710103-005731
2	2" T Super & 3" T Lid BSPT	710103-005700
2.1	2" T, 2" T Super & 3" T Lid O-Ring Seal P2-437, NBR	770102-000169
3	2" T, 2" T Super & 3" T Nylon Tightening Nut (Black)	710103-000544
4	Clogging Indicator Kit (Includes Tubing and Connector)	700190-001304
4.1	Pilot Tubing 6mm	720502-000019
4.2	L-Connector 1/4"F x 6mm	720501-000196
5	2" T Molded Weavewire Screen	See Page A12
5	2" T Super & 3" T Molded Weavewire Screen	See Page A14
5.1	2" T, 2" T Super & 3" T Cylinder O-Ring P2-242, NBR Seal	770102-000130
6.1	Scanaway and Brushaway Operating Handle (2"-4"), with Pin	700190-001414
6.1.1	Scanaway and Brushaway Operating Handle Pin	710101-000651
6.2	Scanaway and Brushaway Cap Assembly 2" T & 2" T Super, NPT	700190-001394
6.2	Scanaway and Brushaway Cap Assembly 3" T, NPT	700190-001406
6.2.1	Cap O-Ring P2-114, NBR Seal	770102-000083
6.2.2	Brass Ring for Scanaway and Brushaway Cap	710103-000700
6.2.3	Cap Flat Seal for 2" T & 2" T Super, NBR	770103-000041
6.2.3	Cap Flat Seal for 3" T, NBR	770103-000047
6.3	Brush Assembly for 2" T	700190-001244

Semi Automatic 2" T, 2" T Super, and 3" T Plastic Filter Brushaway

NO.	DESCRIPTION	SAP. CAT.NO.
6.3	Brush Assembly for 2" T Super & 3" T	700190-001404
6.3.1	Brush Unit for 2" T Brushaway, 242mm (complete assembly requires 1 qty)	710103-000685
6.3.1	Brush Unit for 2" T Super & 3" T, 186mm (complete assembly requires 2 qty)	710103-000707
6.4	Brush Shaft Centering Ring for 2" T, 2" T Super & 3" T	710101-000657
6.4.1	Flat Washer M12 DIN125, Stainless Steel 304	760103-000098
6.4.2	Axis Locking Spring, Stainless Steel 316	760107-000053
6.5	1-1/2" PVC Ball Valve, NPT	730104-000339

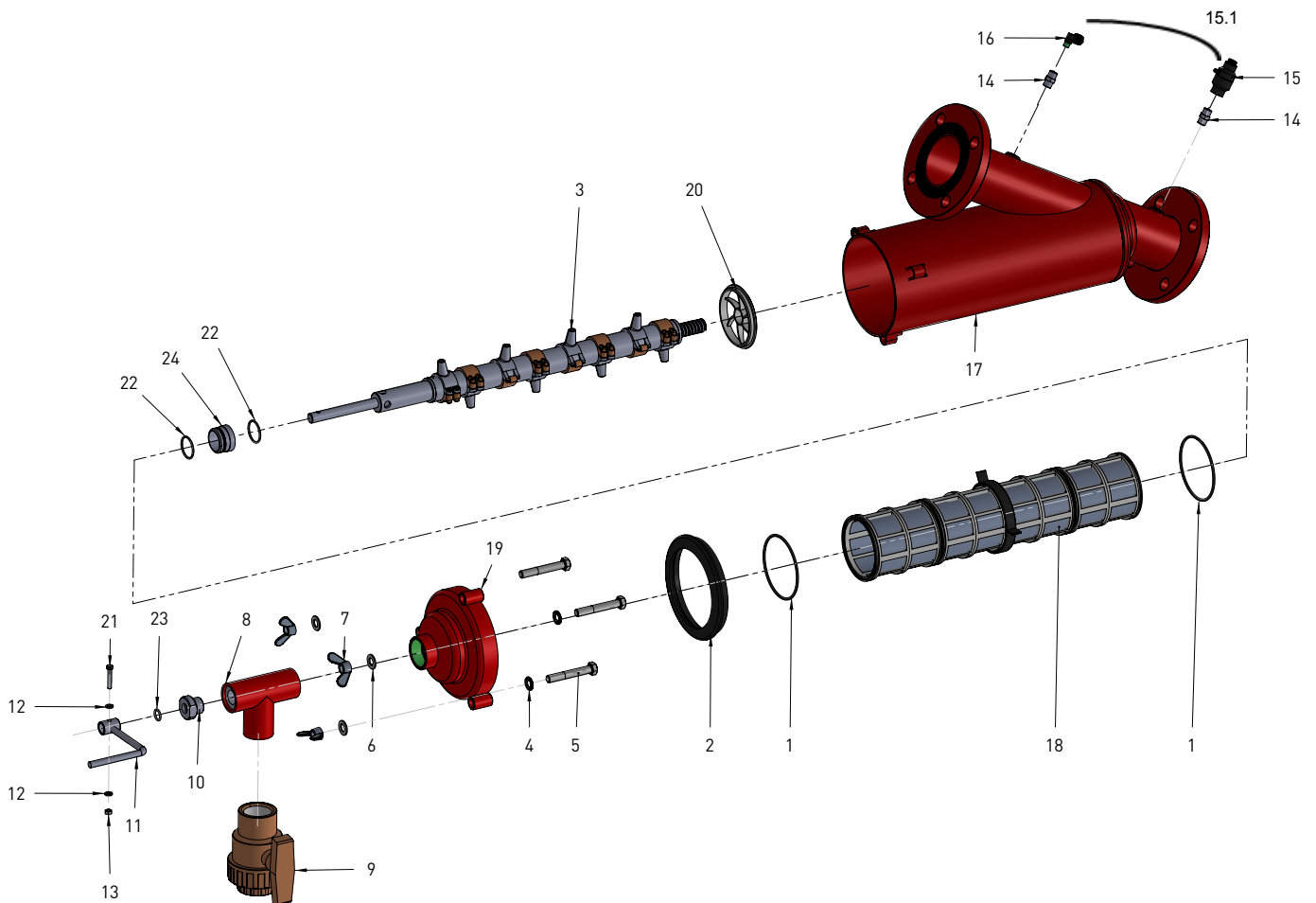


Semi Automatic 3" Steel Filter Scanaway

NO.	DESCRIPTION	SAP. CAT.NO.
1	3" Filter Cylinder O-Ring P2-242, NBR Seal	770102-000130
2	2"-4" Service Port Shaped Lid Seal, NBR	770104-000083
3	3" Suction Scanner	710103-000722
4	2"-4" Plastic Washer M12	710101-000632
5	Hex Bolt Partial Thread M12 x 80, Carbon Steel	760101-000322
6	Flat Washer M12 DIN125, Zinc Plated Carbon Steel	760103-000077
7	Wing Nut M12 DIN315, Brass	760102-000113
8	1.5" T Connector NPT for Brushaway and Scanaway, Carbon Steel	710102-000087
9	1-1/2" PVC Ball Valve, NPT	730104-000339
10	3/4" PVC Bearing for Brushaway and Scanaway	710103-000703
11	2"-4" Operating Handle for Brushaway and Scanaway	710102-000057
12	Flat Washer M6 DIN125, Stainless Steel 316	760103-000094
13	Hex Nut M6 DIN934, Stainless Steel 316	760102-000085
14	Pressure Check Point 1/4"M Brass Nipple	710103-000591
15	Clogging Indicator Kit (Includes Tubing and Connector)	700190-001304
15.1	Pilot Tubing 6mm	720502-000019
16	L-Connector 1/4"F x 6mm	720501-000196
17	3" Housing Steel ASA150	710105-000112
18	3" Molded Weavewire Screen	See Page B4
19	2"-4" Steel Filter Dome Lid, Complete with Seal	700190-001310

Semi Automatic 3" Steel Filter Scanaway

NO.	DESCRIPTION	SAP. CAT.NO.
20	Centering Ring for Suction Scanner	710101-000656
21	Hex Bolt Full Thread M6 x 35 DIN933, Stainless Steel 304	760101-000447
22	Scanner Bearing O-Ring P2-125, NBR Seal	770102-000092
23	O-Ring P2-114, NBR Seal	770102-000083
24	2" -4" Sealing Insert for Suction Scanner	710103-000717

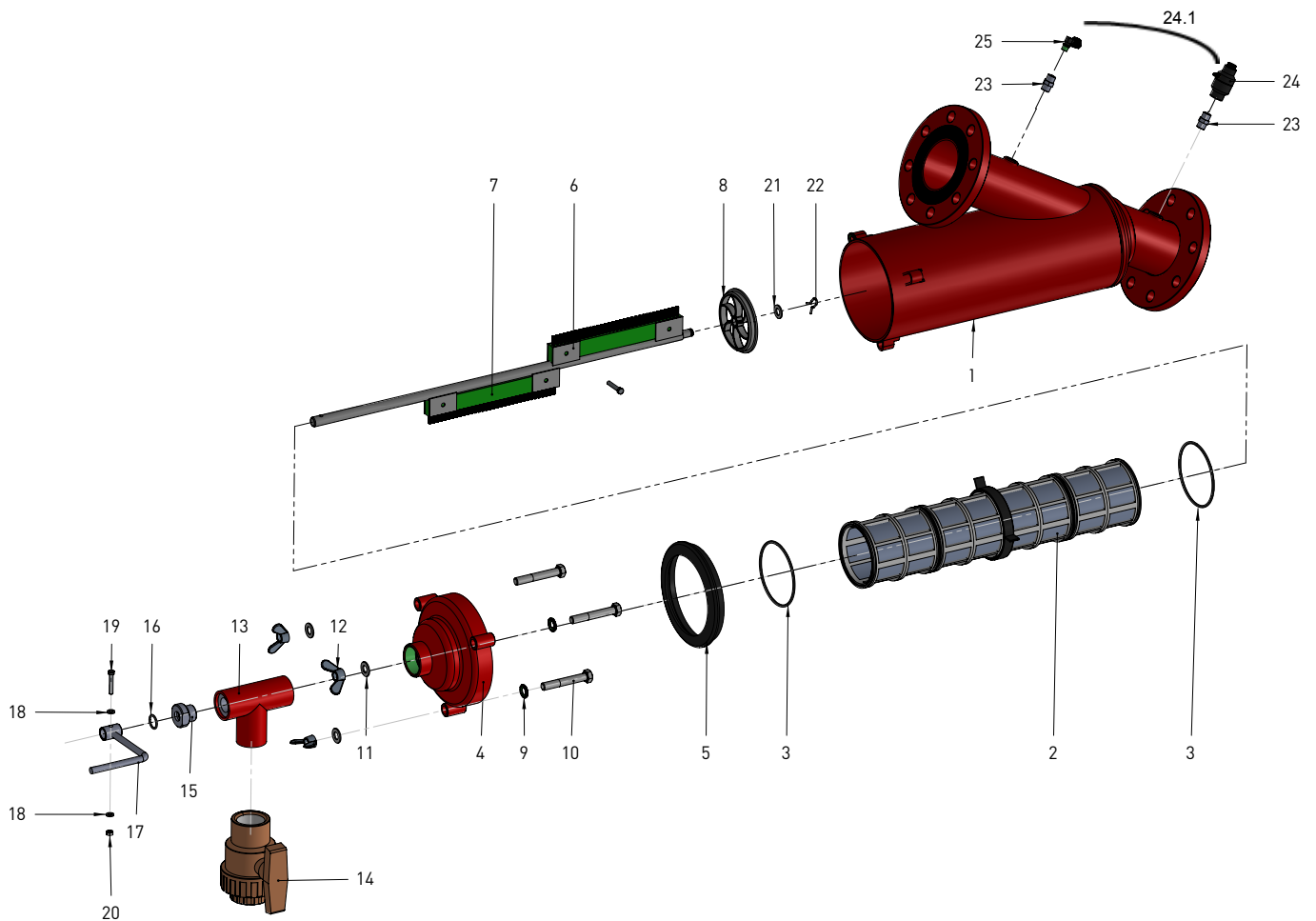


Semi Automatic 3" Steel Filter Brushaway

NO.	DESCRIPTION	SAP. CAT.NO.
1	3" Housing Steel ASA150	710105-000112
2	3" Molded Weavewire Screen	See Page B4
3	3" Filter Cylinder O-Ring P2-242, NBR Seal	770102-000130
4	2"-4" Steel Filter Dome Lid, Complete with Seal	700190-001310
5	2"-4" Service Port Shaped Lid Seal, NBR	770104-000083
6	3" Spindle & Frame, Stainless Steel 316	710102-000213
7	Brush Unit for 3" Brushaway, 242mm (complete assembly requires 2 qty)	710103-000685
8	Centering Ring for Brush Shaft	710101-000657
9	2"-4" Plastic Washer M12	710101-000632
10	Hex Bolt Partial Thread M12 x 80, Carbon Steel	760101-000322
11	Flat Washer M12 DIN125, Zinc Plated Carbon Steel	760103-000077
12	Wing Nut M12 DIN315, Brass	760102-000113
13	1.5" T Connector NPT for Brushaway and Scanaway, Carbon Steel	710102-000087
14	1-1/2" PVC Ball Valve, NPT	730104-000339
15	3/4" PVC Bearing for Brushaway and Scanaway	710103-000703
16	O-Ring P2-114, NBR Seal	770102-000083
17	2"-4" Operating Handle for Brushaway and Scanaway	710102-000057
18	Flat Washer M6 DIN125, Stainless Steel 316 (complete assembly requires 2 qty)	760103-000094
19	Hex Bolt Full Thread M6 x 35 DIN933, Stainless Steel 304	760101-000447

Semi Automatic 3" Steel Filter Brushaway

NO.	DESCRIPTION	SAP. CAT.NO.
20	Hex Nut M6 DIN934, Stainless Steel 316	760102-000085
21	Flat Washer M12 DIN125, Stainless Steel 304	760103-000098
22	Axis Locking Spring, Stainless Steel 316	760107-000053
23	Pressure Check Point 1/4"M Brass Nipple	710103-000591
24	Clogging Indicator Kit (Includes Tubing and Connector)	700190-001304
24.1	Pilot Tubing 6mm	720502-000019
25	L-Connector 1/4"F x 6mm	720501-000196



Semi Automatic 4" Super and 6" Compact Steel Filter Scanaway

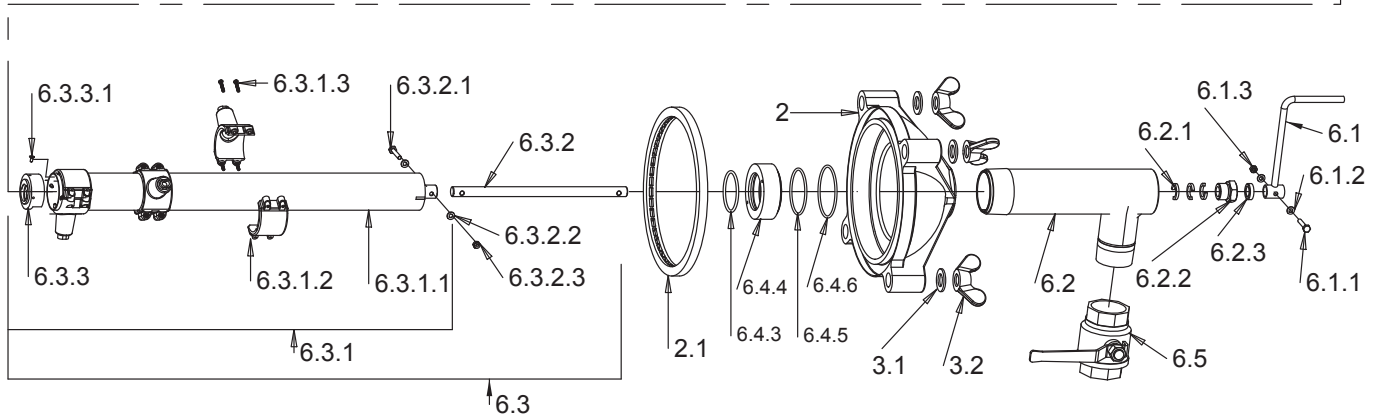
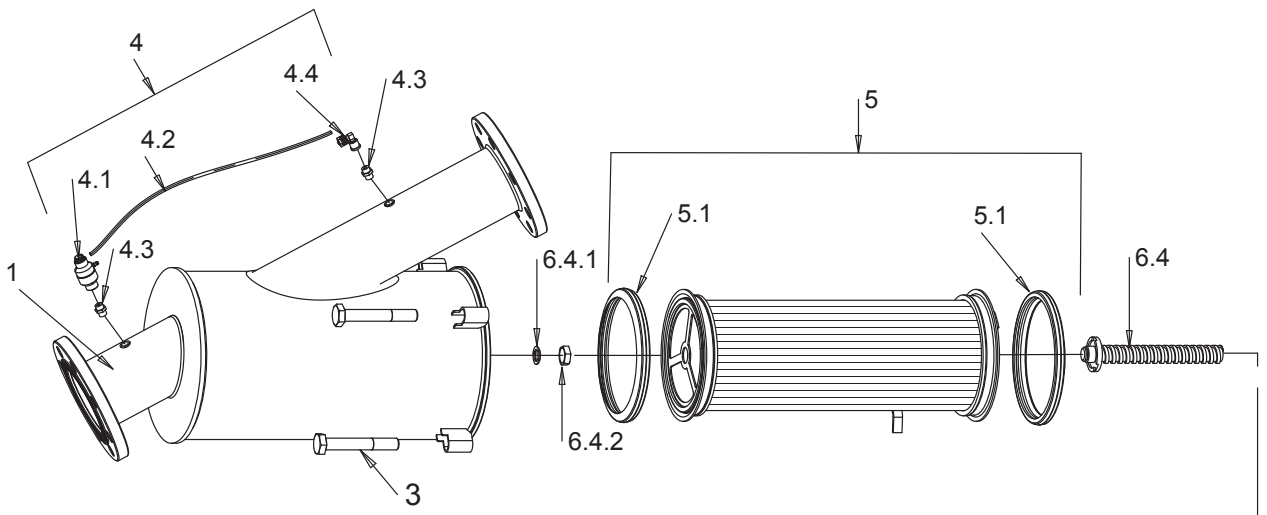
NO.	DESCRIPTION	SAP. CAT.NO.
1	4" Super Housing Steel ASA150	710105-000154
1	6" Compact Housing Steel ASA150	710105-000196
2	4" Super - 14" Steel Filter Scanaway Lid, Complete (Polyester)	710103-000780
2.1	4" Super - 14" Steel Hydraulic Lid Seal AM-07 (Polyester Lid)	770104-000089
3	Hex Bolt Partial Thread 3/4" UNC x 5 1/4" Zinc Plated Carbon Steel (complete assembly requires 4 qty)	760101-000297
3.1	Flat Washer M20 DIN125, Zinc Plated Carbon Steel (complete assembly requires 4 qty)	760103-000070
3.2	Wing Nut 3/4", Zinc Plated Carbon Steel (complete assembly requires 4 qty)	760102-000076
4	Clogging Indicator Kit (includes tubing and connector, brass nipples not included)	700190-001304
4.1	Clogging Indicator	700190-001245
4.2	Pilot Tubing 6mm	720502-000019
4.3	Pressure Check Point 1/4"M Brass Nipple (complete assembly requires 2 qty)	710103-000591
4.4	L-Connector 1/4"F x 6mm	720501-000196
5	4" Super & 6" Compact Filter Screens	See Pages B8 & B10
5.1	4" Super & 6" Compact Cylinder Hydraulic Seal, EPDM	770104-000080
6.1	Operating Handle for Brushaway and Scanaway	710102-000057
6.1.1	Hex Bolt Full Thread M6 x 35 DIN933, Stainless Steel 304	760101-000447
6.1.2	Flat Washer M6 DIN125, Stainless Steel 316 (complete assembly requires 2 qty)	760103-000094
6.1.3	Hex Nut M6 DIN934, Stainless Steel 316	760102-000085

Semi Automatic 4" Super and 6" Compact Steel Filter Scanaway

NO.	DESCRIPTION	SAP. CAT.NO.
6.2	4" Super - 14" Scanaway T-Connector (2" x 2"), NPT	710105-000305
6.2.1	Sealing Rope Set 4mm	700190-001363
6.2.2	4" Super - 14" Brushaway/Scanaway Tightening Nut	710103-000740
6.2.3	4" Super - 14" Brushaway/Scanaway Plastic Bushing	710103-000739
6.3	4" Super & 6" Compact Suction Scanner Assembly	700190-001442
6.3.1	4" Super & 6" Compact Suction Scanner (including nozzles)	710102-000134
6.3.1.1	4" Super & 6" Compact Suction Scanner Pipe	710103-000746
6.3.1.2	Suction Nozzle Unit (complete assembly requires 3 qty)	710101-000922
6.3.1.3	Phillips Pan Tap Screw PT4 x 20mm, Stainless Steel 316 (complete assembly requires 12 qty)	760101-000537
6.3.2	Scanner Shaft Rod, Stainless Steel 316	710103-000770
6.3.2.1	Hex Bolt Full Thread M6 x 35 DIN933, Stainless Steel 304	760101-000447
6.3.2.2	Flat Washer M6 DIN125, Stainless Steel 316 (assembly requires 2 quantity)	760103-000094
6.3.2.3	Lock Nut M6 DIN985, Stainless Steel 304	760102-000101
6.3.3	Plastic Nut for 4" Super - 14" Scanaway	710103-000771
6.3.3.1	Phillips Self Tapping Screw No.6 3/8", Stainless Steel 316	760101-000541
6.4	Drive Bolt for 4" Super - 14" Scanaway	710103-000776
6.4.1	Union Nut Clip	710101-000974
6.4.2	3/4" Nut	780101-000741
6.4.3	O-Ring 60mm x 4mm, NBR	770101-000040

Semi Automatic 4" Super and 6" Compact Steel Filter Scanaway

NO.	DESCRIPTION	SAP. CAT.NO.
6.4.4	Scanner Bearing	710103-000778
6.4.5	O-Ring P2-235, NBR	770102-000124
6.4.6	O-Ring P2-232, NBR	770102-000121
6.5	2" Ball Valve	Supplied by Others

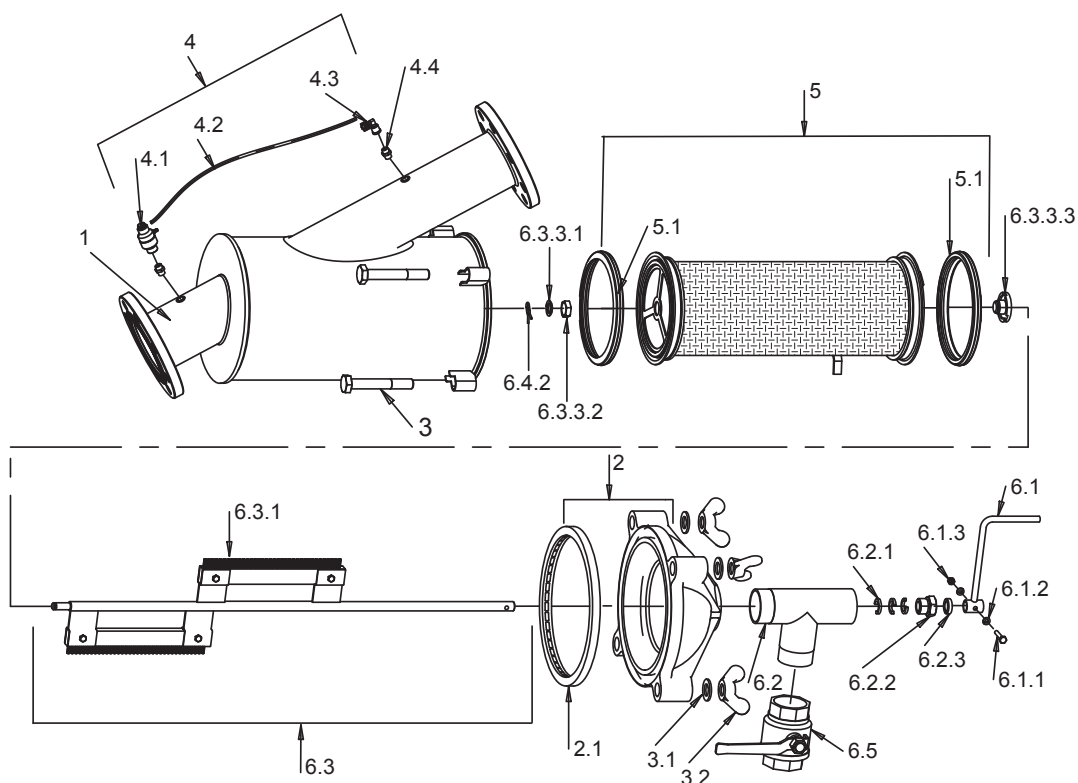


Semi Automatic 4" Super and 6" Compact Steel Filter Brushaway

NO.	DESCRIPTION	SAP. CAT.NO.
1	4" Super Housing Steel ASA150	710105-000154
1	6" Compact Housing Steel ASA150	710105-000196
2	4" Super - 14" Steel Filter Lid, Complete (Polyester)	700190-001459
2.1	4" Super - 14" Steel Hydraulic Lid Seal AM-07 (Polyester Lid)	770104-000089
3	Hex Bolt Partial Thread 3/4" UNC x 5 1/4" Zinc Plated Carbon Steel (complete assembly requires 4 qty)	760101-000297
3.1	Flat Washer M20 DIN125, Zinc Plated Carbon Steel (complete assembly requires 4 qty)	760103-000070
3.2	Wing Nut 3/4" Zinc Plated Carbon Steel (complete assembly requires 4 qty)	760102-000076
4	Clogging Indicator Kit (includes tubing and connector, brass nipples not included)	700190-001304
4.1	Clogging Indicator	700190-001245
4.2	Pilot Tubing 6mm	720502-000019
4.3	L-Connector 1/4" x 6mm	720501-000196
4.4	Pressure Check Point 1/4"M Brass Nipple (complete assembly requires 2 qty)	710103-000591
5	4" Super & 6" Compact Filter Screens	See Pages B8 and B10
5.1	4" Super & 6" Compact Cylinder Hydraulic Seal, EPDM	770104-000080
6.1	4" Super - 14" Brushaway Operating Handle	710102-000219
6.1.1	Hex Bolt Full Thread M6 x 35 DIN933, Stainless Steel 304	760101-000447
6.1.2	Flat Washer M6 DIN125, Stainless Steel 316 (complete assembly requires 2 qty)	760103-000094
6.1.3	Hex Nut M6 DIN934, Stainless Steel 316	760102-000085
6.2	2" T-Connector NPT, Carbon Steel	710102-000132
Not pictured: Centering Ring for Brushaway Kits with Perforated Screens		710102-000163

Semi Automatic 4" Super and 6" Compact Steel Filter Brushaway

NO.	DESCRIPTION	SAP. CAT.NO.
6.2.1	Sealing Rope Set 4mm	700190-001363
6.2.2	4" Super - 14" Brushaway/Scanaway Tightening Nut	710103-000740
6.2.3	4" Super - 14" Brushaway/Scanaway Plastic Bushing	710103-000739
6.3	Spindle and Frame Brush Assembly for Molded Screen Spindle and Frame Brush Assembly for Perforated Screen	710102-000217 710102-000215
6.3.1	Brush Unit 260 mm for Molded Screen (assembly requires 2 qty) Brush Unit 435 mm for Perforated Screen (assembly requires 1 qty)	710103-000749 710103-000732
6.3.3.1	Union Nut Clip	710101-000974
6.3.3.2	3/4" Nut	780101-000741
6.3.3.3	Drive Bushing for Molded Screen Drive Bushing for Perforated Screen	710103-000777 710103-000739
6.4.2	Axis Locking Spring, Stainless Steel 316	760107-000053
6.5	2" Ball Valve	Supplied by Others



Semi Automatic 6" Super and 8" In-Line Steel Filter Scanaway

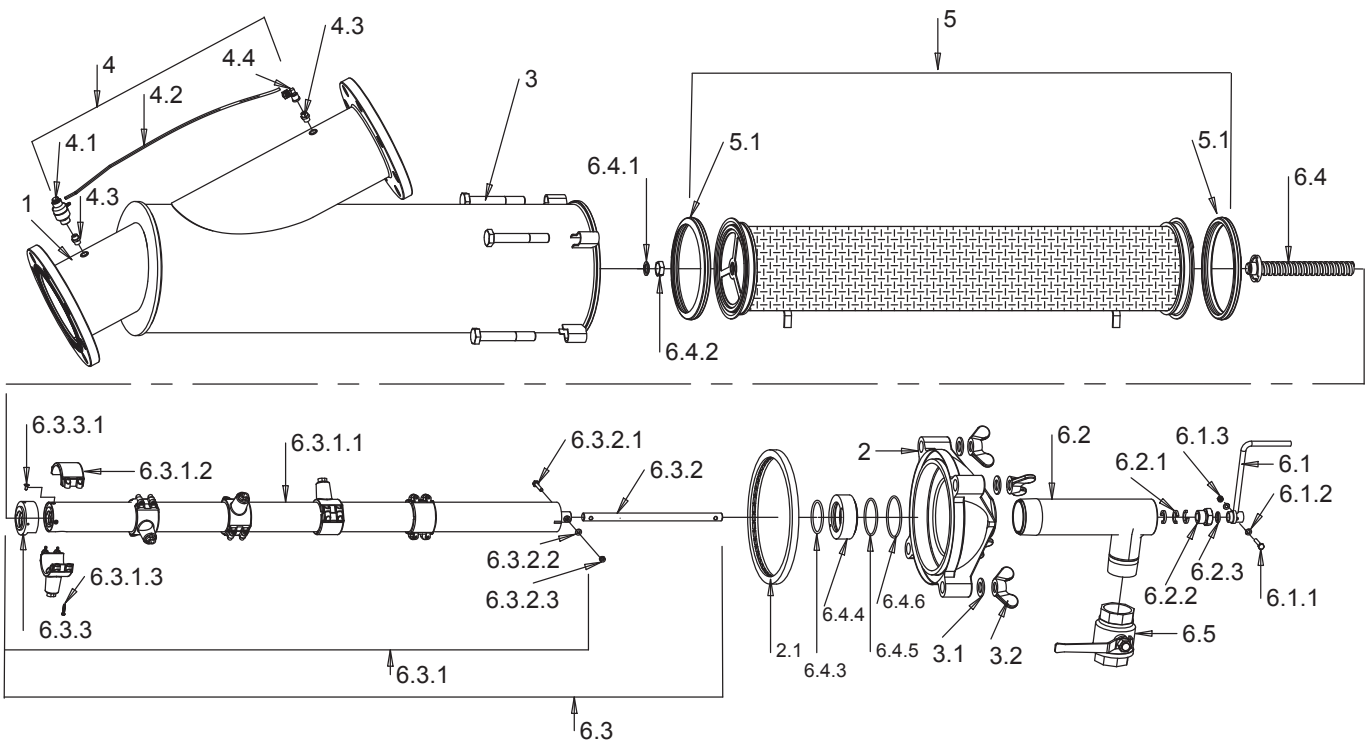
NO.	DESCRIPTION	SAP. CAT.NO.
1	6" Super Housing Steel ASA150	710105-000203
1	8" In-Line Housing Steel ASA150	710105-000246
2	4" Super - 14" Steel Filter Scanaway Lid, Complete (Polyester)	710103-000780
2.1	4" Super - 14" Steel Hydraulic Lid Seal AM-07 (Polyester Lid)	770104-000089
3	Hex Bolt Partial Thread 3/4" UNC x 5 1/4" Zinc Plated Carbon Steel (complete assembly requires 4 qty)	760101-000297
3.1	Flat Washer M20 DIN125, Zinc Plated Carbon Steel (complete assembly requires 4 qty)	760103-000070
3.2	Wing Nut 3/4" Zinc Plated Carbon Steel (complete assembly requires 4 qty)	760102-000076
4	Clogging Indicator Kit (includes tubing and connector, brass nipples not included)	700190-001304
4.1	Clogging Indicator	700190-001245
4.2	Pilot Tubing 6mm	720502-000019
4.3	Pressure Check Point 1/4"M Brass Nipple (complete assembly requires 2 qty)	710103-000591
4.4	L-Connector 1/4" x 6mm	720501-000196
5	6" Super & 8" In-Line Filter Screens	See Pages B12 and B14
5.1	6" Super & 8" In-Line Cylinder Hydraulic Seal, EPDM	770104-000080
6.1	Operating Handle for Brushaway and Scanaway	710102-000057
6.1.1	Hex Bolt Full Thread M6 x 35 DIN933, Stainless Steel 304	760101-000447
6.1.2	Flat Washer M6 DIN125, Stainless Steel 316 (complete assembly requires 2 qty)	760103-000094
6.1.3	Hex Nut M6 DIN934, Stainless Steel 316	760102-000085

Semi Automatic 6" Super and 8" In-Line Steel Filter Scanaway

NO.	DESCRIPTION	SAP. CAT.NO.
6.2	4"-14" Scanaway T-Connector (2" x 2"), NPT	710105-000305
6.2.1	Sealing Rope Set 4mm	700190-001363
6.2.2	4" Super - 14" Brushaway/Scanaway Tightening Nut	710103-000740
6.2.3	4" Super - 14" Brushaway/Scanaway Plastic Bushing	710103-000739
6.3	6" Super & 8" In-Line Suction Scanner Assembly	700190-001471
6.3.1	6" Super & 8" In-Line Suction Scanner Pipe with Nozzles	710102-000176
6.3.1.1	6" Super & 8" In-Line Suction Scanner Pipe	710103-000773
6.3.1.2	6" Super & 8" In-Line Suction Nozzle Unit (complete assembly requires 5 qty)	710101-000922
6.3.1.3	Phillips Pan Tap Screw PT4 x 20mm, Stainless Steel 316 (complete assembly requires 20 qty)	760101-000537
6.3.2	Scanner Shaft Rod, Stainless Steel 316	710103-000770
6.3.2.1	Hex Bolt Full Thread M6 x 35 DIN933, Stainless Steel 304	760101-000447
6.3.2.2	Flat Washer M6 DIN125, Stainless Steel 316 (complete assembly requires 2 qty)	760103-000094
6.3.2.3	Lock Nut M6 DIN985, Stainless Steel 304	760102-000101
6.3.3	Plastic Nut for 4" Super - 14" Scanaway	710103-000771
6.3.3.1	Phillips Self Tapping Screw No.6 3/8", Stainless Steel 316 (complete assembly requires 4 qty)	760101-000541
6.4	Drive Bolt for 4" Super - 14" Scanaway	710103-000776
6.4.1	Union Nut Clip	710101-000974
6.4.2	3/4" Nut	780101-000741
6.4.3	O-Ring 60mm x 4mm, NBR	770101-000040

Semi Automatic 6" Super and 8" In-Line Steel Filter Scanaway

NO.	DESCRIPTION	SAP. CAT.NO.
6.4.4	Scanner Bearing	710103-000778
6.4.5	O-Ring P2-235, NBR	770102-000124
6.4.6	O-Ring P2-232, NBR	770102-000121
6.5	2" Ball Valve	Supplied by Others

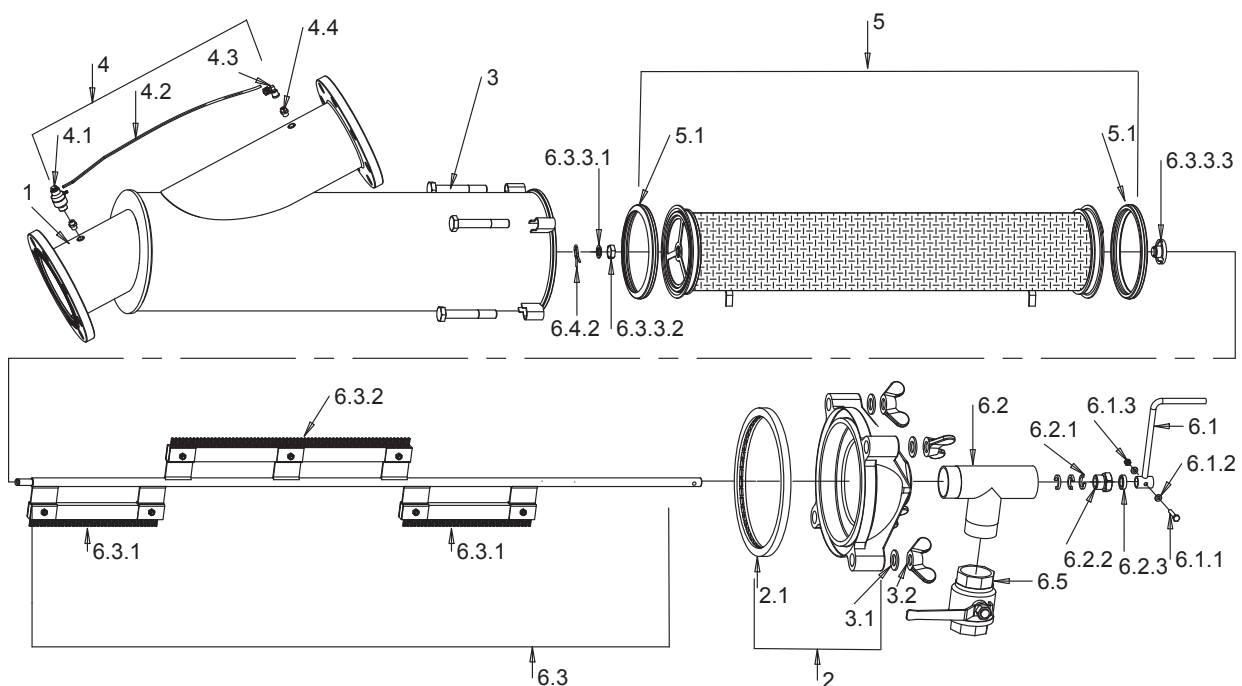


Semi Automatic 6" Super and 8" In-Line Steel Filter Brushaway

NO.	DESCRIPTION	SAP. CAT.NO.
1	6" Super Housing Steel ASA150	710105-000203
1	8" In-Line Housing Steel ASA150	710105-000257
2	4" Super - 14" Steel Filter Lid, Complete (Polyester)	700190-001459
2.1	4" Super - 14" Steel Hydraulic Lid Seal AM-07 (Polyester Lid)	770104-000089
3	Hex Bolt Partial Thread 3/4" UNC x 5 1/4" Zinc Plated Carbon Steel (complete assembly requires 4 qty)	760101-000297
3.1	Flat Washer M20 DIN125, Zinc Plated Carbon Steel (complete assembly requires 4 qty)	760103-000070
3.2	Wing Nut 3/4" Zinc Plated Carbon Steel (complete assembly requires 4 qty)	760102-000076
4	Clogging Indicator Kit (includes tubing and connector, brass nipples not included)	700190-001304
4.1	Clogging Indicator	700190-001245
4.2	Pilot Tubing 6mm	720502-000019
4.3	L-Connector 1/4" x 6mm	720501-000196
4.4	Pressure Check Point 1/4"M Brass Nipple (complete assembly requires 2 qty)	710103-000591
5	6" Super & 8" In-Line Filter Screens	See Pages B12 and B14
5.1	6" Super & 8" In-Line Cylinder Hydraulic Seal, EPDM	770104-000080
6.1	4" Super - 14" Brushaway Operating Handle	710102-000219
6.1.1	Hex Bolt Full Thread M6 x 35 DIN933, Stainless Steel 304	760101-000447
6.1.2	Flat Washer M6 DIN125, Stainless Steel 316 (complete assembly requires 2 qty)	760103-000094
6.1.3	Hex Nut M6 DIN934, Stainless Steel 316	760102-000085
6.2	2" T-Connector NPT, Carbon Steel	710102-000132
Not pictured: Centering Ring for Brushaway Kits with Perforated Screens		710102-000163

Semi Automatic 6" Super and 8" In-Line Steel Filter Brushaway

NO.	DESCRIPTION	SAP. CAT.NO.
6.2.1	Sealing Rope Set 4mm	700190-001363
6.2.2	Tightening Nut for 4" Super - 14" Brushaway/Scanaway	710103-000740
6.2.3	Plastic Bushing for 4" Super - 14" Brushaway/Scanaway	710103-000739
6.3	Brush Assembly/Spindle & Frame for Molded Screen Brush Assembly/Spindle & Frame for Perforated Screen	710102-000221 710102-000220
6.3.1	Brush Unit 260 mm for Molded Screen (assembly requires 2 qty) Brush Unit 242 mm for Perforated Screen (assembly requires 2 qty)	710103-000749 710103-000685
6.3.2	Brush Unit 473 mm for Molded or Perforated Screen	710103-000748
6.3.3.1	Union Nut Clip	710101-000974
6.3.3.2	3/4" Nut	780101-000741
6.3.3.3	Drive Bushing	710103-000777
6.4.2	Axis Locking Spring, Stainless Steel 316	760107-000053
6.5	2" Ball Valve	Supplied by Others



Semi Automatic 8" Modular Steel Filter Scanaway

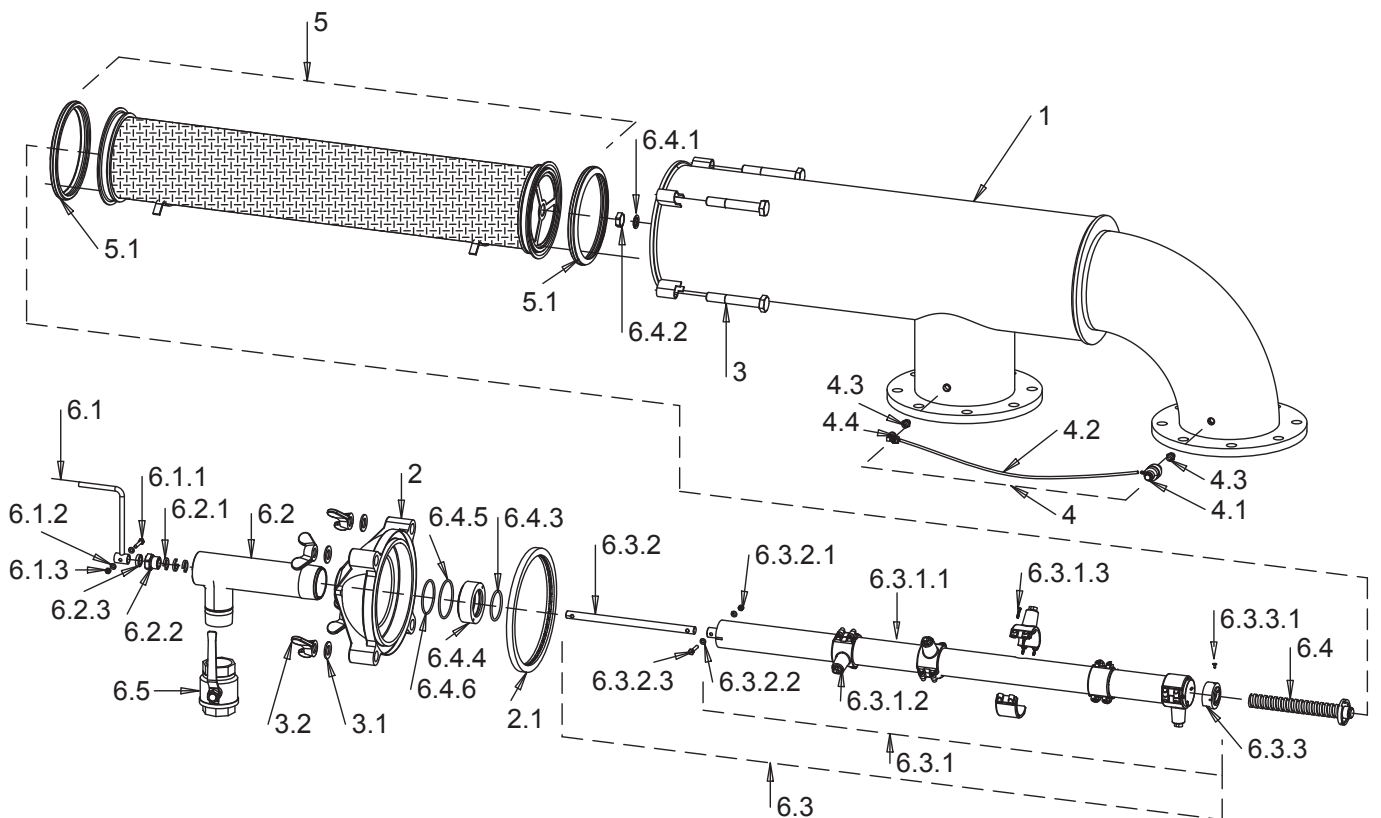
NO.	DESCRIPTION	SAP. CAT.NO.
1	8" Modular Housing Steel ASA150	710105-000259
2	4" Super - 14" Steel Filter Scanaway Lid, Complete (Polyester)	710103-000780
2.1	4" Super - 14" Steel Hydraulic Lid Seal AM-07 (Polyester Lid)	770104-000089
3	Hex Bolt Partial Thread 3/4" UNC x 5 1/4" Zinc Plated Carbon Steel (complete assembly requires 4 qty)	760101-000297
3.1	Flat Washer M20 DIN125, Zinc Plated Carbon Steel (complete assembly requires 4 qty)	760103-000070
3.2	Wing Nut 3/4" Zinc Plated Carbon Steel (complete assembly requires 4 qty)	760102-000076
4	Clogging Indicator Kit (includes tubing and connector, brass nipples not included)	700190-001304
4.1	Clogging Indicator	700190-001245
4.2	Pilot Tubing 6mm	720502-000019
4.3	Pressure Check Point 1/4"M Brass Nipple (complete assembly requires 2 qty)	710103-000591
4.4	L-Connector 1/4" x 6mm	720501-000196
5	8" Modular Molded Weavewire Screen	See Page B16
5.1	8" Modular Cylinder Hydraulic Seal, EPDM	770104-000080
6.1	Operating Handle for Brushaway and Scanaway	710102-000057
6.1.1	Hex Bolt Full Thread M6 x 35 DIN933, Stainless Steel 304	760101-000447
6.1.2	Flat Washer M6 DIN125, Stainless Steel 316 (complete assembly requires 2 qty)	760103-000094
6.1.3	Hex Nut M6 DIN934, Stainless Steel 316	760102-000085

Semi Automatic 8" Modular Steel Filter Scanaway

NO.	DESCRIPTION	SAP. CAT.NO.
6.2	4"-14" Scanaway T-Connector (2" x 2"), NPT	710105-000305
6.2.1	Sealing Rope Set 4mm	700190-001363
6.2.2	4" Super - 14" Brushaway/Scanaway Tightening Nut	710103-000740
6.2.3	4" Super - 14" Brushaway/Scanaway Plastic Bushing	710103-000739
6.3	8" Modular Suction Scanner Assembly	700190-001471
6.3.1	8" Modular Suction Scanner Pipe with Nozzles	710102-000176
6.3.1.1	8" Modular Suction Scanner Pipe	710103-000773
6.3.1.2	8" Modular Suction Nozzle Unit (complete assembly requires 5 qty)	710101-000922
6.3.1.3	Phillips Pan Tap Screw PT4 x 20mm, Stainless Steel 316 (complete assembly requires 20 qty)	760101-000537
6.3.2	Scanner Shaft Rod, Stainless Steel 316	710103-000770
6.3.2.1	Hex Bolt Full Thread M6 x 35 DIN933, Stainless Steel 304	760101-000447
6.3.2.2	Flat Washer M6 DIN125, Stainless Steel 316 (complete assembly requires 2 qty)	760103-000094
6.3.2.3	Lock Nut M6 DIN985, Stainless Steel 304	760102-000101
6.3.3	Plastic Nut for 4" Super - 14" Scanaway	710103-000771
6.3.3.1	Phillips Self Tapping Screw No.6 3/8", Stainless Steel 316	760101-000541
6.4	Drive Bolt for 4" Super - 14" Scanaway	710103-000776
6.4.1	Union Nut Clip	710101-000974
6.4.2	3/4" Nut	780101-000741
6.4.3	O-Ring 60mm x 4mm, NBR	770101-000040

Semi Automatic 8" Modular Steel Filter Scanaway

NO.	DESCRIPTION	SAP. CAT.NO.
6.4.4	Scanner Bearing	710103-000778
6.4.5	O-Ring P2-235, NBR	770102-000124
6.4.6	O-Ring P2-232, NBR	770102-000121
6.5	2" Ball Valve	Supplied by Others



Semi Automatic 8" Modular Steel Filter Brushaway

NO.	DESCRIPTION	SAP. CAT.NO.
1	8" Modular Housing Steel ASA150	710105-000259
2	4" Super - 14" Steel Filter Lid, Complete (Polyester)	700190-001459
2.1	4" Super - 14" Steel Hydraulic Lid Seal AM-07 (Polyester Lid)	770104-000089
3	Hex Bolt Partial Thread 3/4" UNC x 5 1/4" Zinc Plated Carbon Steel (complete assembly requires 4 qty)	760101-000297
3.1	Flat Washer M20 DIN125, Zinc Plated Carbon Steel (complete assembly requires 4 qty)	760103-000070
3.2	Wing Nut 3/4" Zinc Plated Carbon Steel (complete assembly requires 4 qty)	760102-000076
4	Clogging Indicator Kit (includes tubing and connector, brass nipples not included)	700190-001304
4.1	Clogging Indicator	700190-001245
4.2	Pilot Tubing 6mm	720502-000019
4.3	L-Connector 1/4" x 6mm	720501-000196
4.4	Pressure Check Point 1/4"M Brass Nipple (complete assembly requires 2 qty)	710103-000591
5	8" Modular Molded Weavewire Screen	See Page B16
5.1	8" Modular Cylinder Hydraulic Seal, EPDM	770104-000080
6.1	4" Super - 14" Brushaway Operating Handle	710102-000219
6.1.1	Hex Bolt Full Thread M6 x 35 DIN933, Stainless Steel 304	760101-000447
6.1.2	Flat Washer M6 DIN125, Stainless Steel 316 (complete assembly requires 2 qty)	760103-000094
6.1.3	Hex Nut M6 DIN934, Stainless Steel 316	760102-000085
6.2	2" T-Connector NPT, Carbon Steel	710102-000132

Semi Automatic 8" Modular Steel Filter Brushaway

NO.	DESCRIPTION	SAP. CAT.NO.
6.2.1	Sealing Rope Set 4mm	700190-001363
6.2.2	4" Super - 14" Brushaway/Scanaway Tightening Nut	710103-000740
6.2.3	4" Super - 14" Brushaway/Scanaway Plastic Bushing	710103-000739
6.3	Brush Assembly/Spindle & Frame for Molded Screen Brush Assembly/Spindle & Frame for Perforated Screen	710102-000221 710102-000220
6.3.1	Brush Unit 260 mm for Molded Screen (assembly requires 2 qty) Brush Unit 242 mm for Perforated Screen (assembly requires 2 qty)	710103-000749 710103-000685
6.3.2	Brush Unit 473 mm for Molded or Perforated Screen	710103-000748
6.3.3.1	Union Nut Clip	710101-000974
6.3.3.2	3/4" Nut	780101-000741
6.3.3.3	Drive Bushing	710103-000777
6.4.2	Axis Locking Spring, Stainless Steel 316	760107-000053
6.5	2" Ball Valve	Supplied by Others

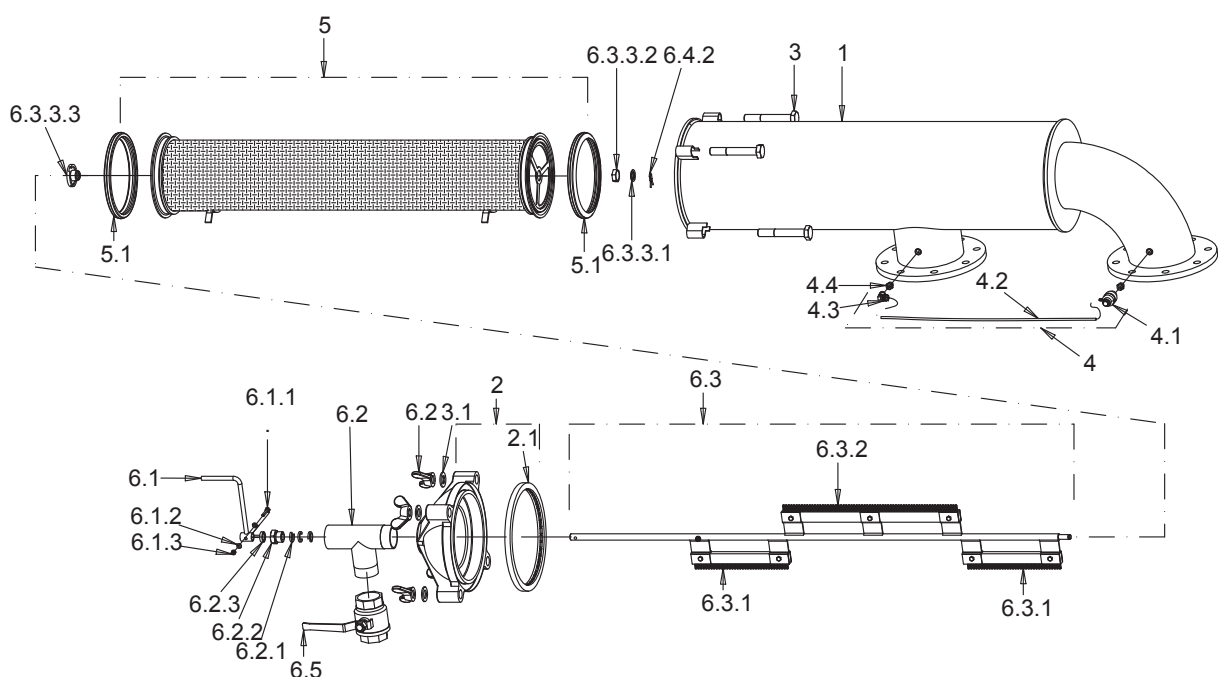
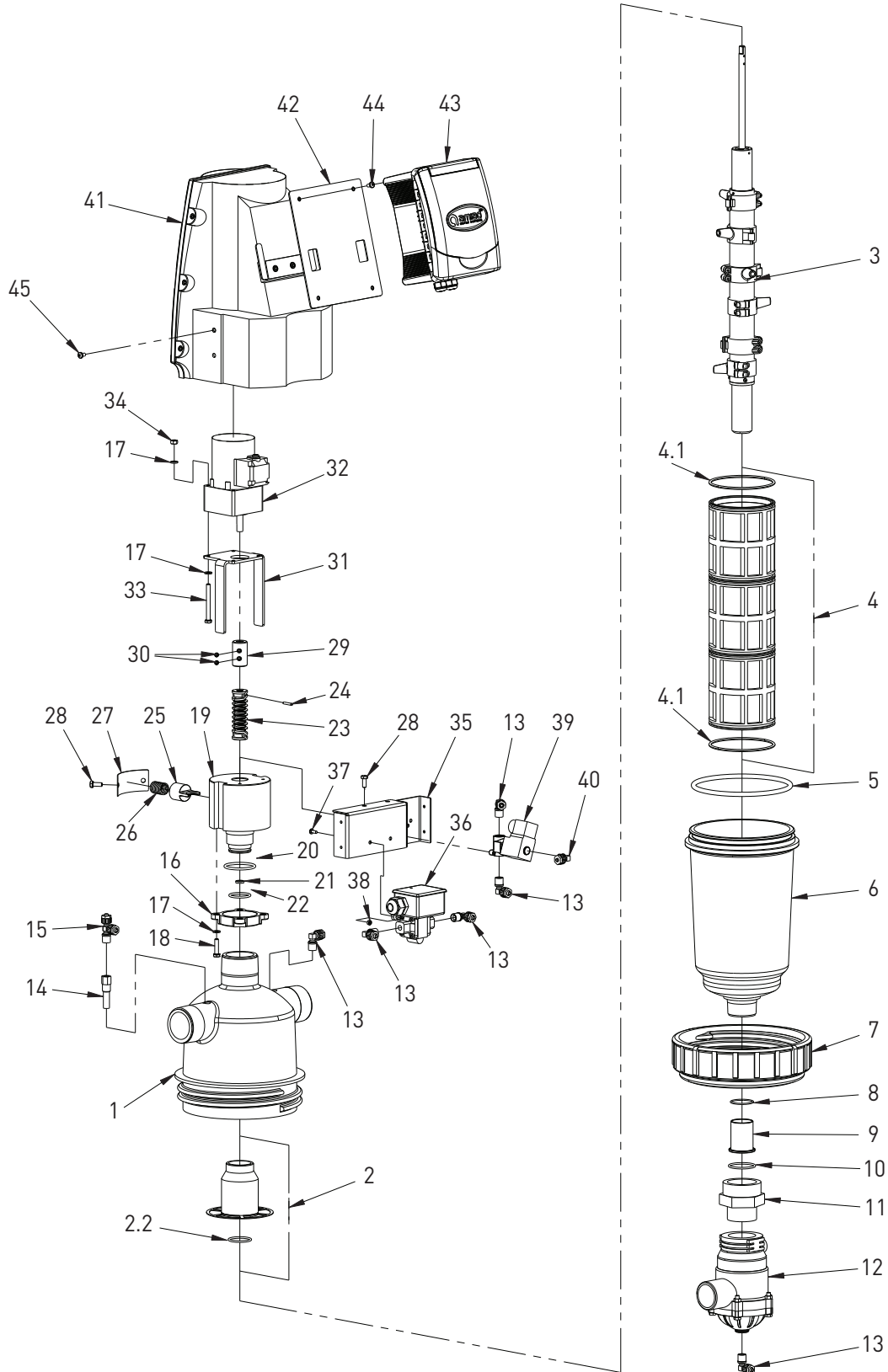


TABLE OF CONTENTS

TAF Filters

2" TAF-750 Electric	D1-4
2" TAF-750 Electric Suction Scanner	D5
3" TAF-750 Electric	D6-9
3" TAF-750 Electric Suction Scanner	D10

2" TAF - 750 ELECTRIC



2" TAF - 750 ELECTRIC

NO.	DESCRIPTION	SAP. CAT.NO.
1	2" TAF-500/750 Housing NPT (PA, Black)	710103-001202
2	2" TAF-750E Pressure Balancing Assembly	700190-001831
2.2	Scanner Bearing O-Ring P2-125, NBR Seal	770102-000092
3	2" TAF-750 Suction Scanner	700190-001925
4	2" TAF-750 Molded Weavewire St/St 316 Screen, 700SQ.CM. 50 Micron, NBR Seals	700101-000412
	2" TAF-750 Molded Weavewire St/St 316 Screen, 700SQ.CM. 80 Micron, NBR Seals	700101-000413
	2" TAF-750 Molded Weavewire St/St 316 Screen, 700SQ.CM. 100 Micron, NBR Seals	700101-000651
	2" TAF-750 Molded Weavewire St/St 316 Screen, 700SQ.CM. 130 Micron, NBR Seals	700101-000652
	2" TAF-750 Molded Weavewire St/St 316 Screen, 700SQ.CM. 200 Micron, NBR Seals	700101-000416
	2" TAF-750 Molded Weavewire St/St 316 Screen, 700SQ.CM. 300 Micron, NBR Seals	700101-000417
	2" TAF-750 Molded Weavewire St/St 316 Screen, 700SQ.CM. 500 Micron, NBR Seals	700101-000418
4.1	2"-3" Filter Cylinder O-Ring P2-242, NBR Seal	770102-000130
5	O-Ring P2-437, NBR Seal	770102-000169
6	2" - 3" TAF Lid BSPT	710103-005700
7	2" - 3" TAF Nylon Tightening Nut (Black)	710103-000544
8	O-Ring P2-028, NBR Seal	770102-000069
9	Long Bearing for 2"-3" TAF Suction Scanner	710101-001370
10	O-Ring P2-129, NBR Seal	770102-000096
11	Connector 1-1/2" F x 1-1/2" M, Carbon Steel	780101-000955
12	1-1/2" Exhaust Valve	730103-000444
13	L-Connector 1/4"M x 8mm BSPT (complete assembly requires 4 qty)	720501-000198
14	1/4" M/F Finger Filter	730110-000034
15	T-Connector 8mm x 8mm x 1/4"M BSPT, Red/Black	720501-000232
16	2"-3" TAF Motor Connecting Flange NPT	710101-000765
17	Flat Washer M6 DIN125, Stainless Steel 316 (complete assembly requires 4 qty)	760103-000094
18	Hex Bolt Full Thread M6 x 25 DIN933, Stainless Steel 316 (complete assembly requires 4 qty)	760101-000445
19	2"-3" TAF-500/750 Endless Worm Shaft Housing	710103-001207

2" TAF - 750 ELECTRIC

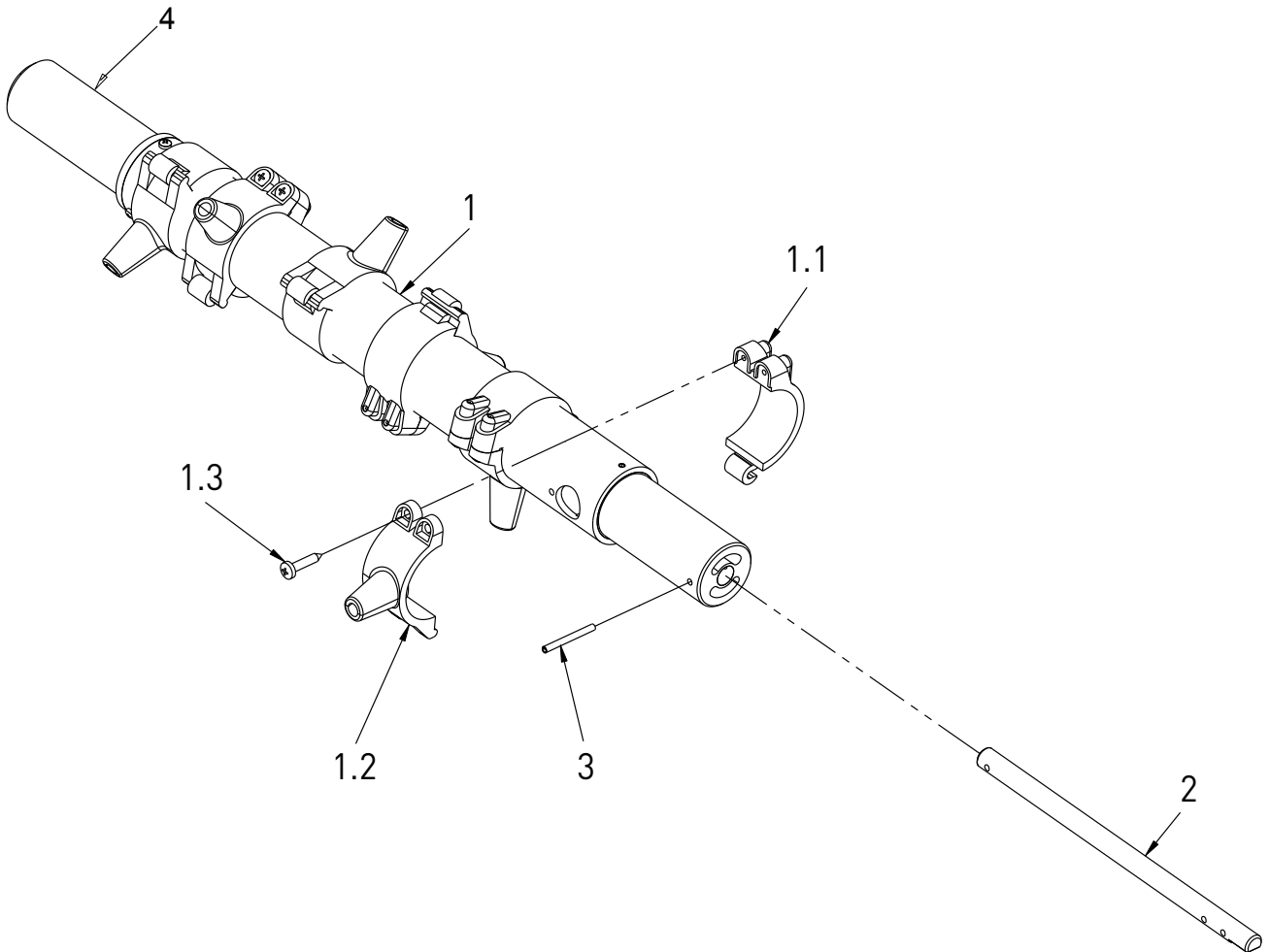
NO.	DESCRIPTION	SAP. CAT.NO.
20	TAF Motor Housing O-Ring 3.5mm x 45mm, NBR Seal	770101-000051
21	TAF Seal U-Cup (Scanner Shaft)	710101-000767
22	O-Ring 30mm x 3mm, NBR Seal	770101-000049
23	TAF Reversible Worm Shaft Screw	710103-001247
24	Slotted Pin 3mm x 30mm DIN1481, Stainless Steel 304	760105-000033
25	2"-3" TAF-500/750 Endless Worm Shaft Tooth	710103-001209
26	TAF Endless Worm Shaft Tooth Spring, Stainless Steel 302	760107-000065
27	2"-3" TAF-500/750 Tooth Cover, Stainless Steel 316L	710103-001210
28	Hex Bolt Full Thread M6 x 15mm DIN933, Stainless Steel 304 (complete assembly requires 2 qty)	760101-000443
29	2"-3" TAF-500/750 Motor Shaft Coupler, Stainless Steel 316L	710103-001216
30	Socket Set Screw M6 x 6mm DIN916, Stainless Steel 304 (complete assembly requires 4 qty)	760101-000544
31	2"-3" TAF-500/750 Drive Unit Base, Stainless Steel 316L	710103-001217
32	2"-3" TAF-750 Drive Unit 110V AC 60 HZ	720201-000032
33	Hex Bolt Full Thread M6 x 60mm DIN933, Stainless Steel 316	760101-000607
34	Hex Nut M6 DIN934, Stainless Steel 316	760102-000085
35	2"-3" TAF-500/750 Instrumentation Bracket	710103-001212
36	PD Switch UE 24-011	720104-000029
37	Phillips Pan Machine Screw M4 x 10mm DIN7985, Stainless Steel 316 (complete assembly requires 2 qty)	760101-000529
38	Hex Nut M4 DIN934, Stainless Steel 304 (complete assembly requires 2 qty)	760102-000083
39	2"-3" TAF-750 Solenoid Valve 24VAC 60Hz	700190-001817
40	L-Connector 1/8"M x 6mm	720501-000209

2" TAF - 750 ELECTRIC

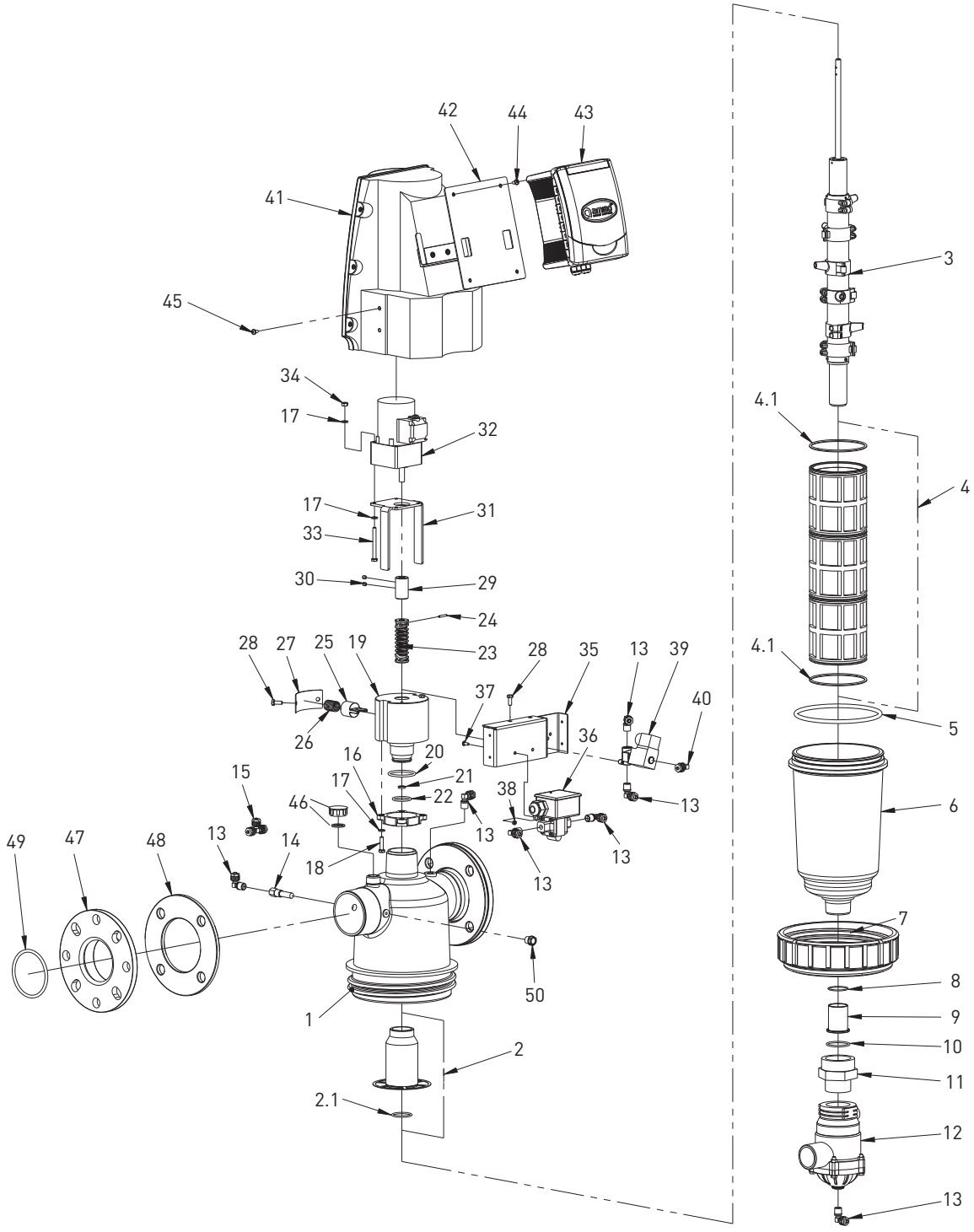
NO.	DESCRIPTION	SAP. CAT.NO.
41	2"-3" TAF-500/750 Drive Unit Cover	710103-001204
42	2"-3" TAF-750 Sling for AMIAD Controller, Stainless Steel 316L	710105-004321
43	AMC-6 Electronic Controller Only 110V AC	720101-000554
44	Phillips Pan Machine Screw M5 x 8mm DIN7985, Stainless Steel 304	760101-000530
45	Phillips Pan Machine Screw M5 x 8mm DIN7985, Stainless Steel 304	760101-000530

2" TAF - 750 ELECTRIC SUCTION SCANNER

NO.	DESCRIPTION	SAP. CAT.NO.
1	2"-3" TAF Suction Scanner without Shaft	700190-001935
1.1 & 1.2	2"-3" TAF Suction Scanner Nozzle No.1 & No.2 (two pieces pre-assembled) (complete suction scanner assembly requires 6 qty)	710101-000751
1.3	Phillips Pan Tap Screw PT4 x 20mm, Stainless Steel 316 (each scanner nozzle assembly requires 2 qty)	760101-000537
2	2"-3" TAF-750 Suction Scanner Shaft	710103-001208
3	Slotted Pin 3mm x 30mm DIN1481, Stainless Steel 304	760105-000033
4	2"-3" TAF-750 Suction Scanner Guide	760103-000693



3" TAF - 750 ELECTRIC



3" TAF - 750 ELECTRIC

NO.	DESCRIPTION	SAP. CAT.NO.
1	3" TAF-750 Housing NPT	710103-001271
2	3" TAF-750E Pressure Balancing Assembly	700190-001924
2.1	Scanner Bearing O-Ring P2-125, NBR Seal	770102-000092
3	3" TAF-750 Suction Scanner	700190-001926
4	3" TAF-750 Molded Weavewire St/St 316 Screen, 700SQ.CM. 50 Micron, NBR Seals	700101-000412
	3" TAF-750 Molded Weavewire St/St 316 Screen, 700SQ.CM. 80 Micron, NBR Seals	700101-000413
	3" TAF-750 Molded Weavewire St/St 316 Screen, 700SQ.CM. 100 Micron, NBR Seals	700101-000651
	3" TAF-750 Molded Weavewire St/St 316 Screen, 700SQ.CM. 130 Micron, NBR Seals	700101-000652
	3" TAF-750 Molded Weavewire St/St 316 Screen, 700SQ.CM. 200 Micron, NBR Seals	700101-000416
	3" TAF-750 Molded Weavewire St/St 316 Screen, 700SQ.CM. 300 Micron, NBR Seals	700101-000417
	3" TAF-750 Molded Weavewire St/St 316 Screen, 700SQ.CM. 500 Micron, NBR Seals	700101-000418
4.1	2"-3" Filter Cylinder O-Ring P2-242, NBR Seal	770102-000130
5	O-Ring P2-437, NBR Seal	770102-000169
6	2" - 3" TAF Lid BSPT	710103-005700
7	2" - 3" TAF Nylon Tightening Nut (Black)	710103-000544
8	O-Ring P2-028, NBR Seal	770102-000069
9	Long Bearing for 2"-3" TAF Suction Scanner	710101-001370
10	O-Ring P2-129, NBR Seal	770102-000096
11	Connector 1-1/2" F x 1-1/2" M, Carbon Steel	780101-000955
12	1-1/2" Exhaust Valve	730103-000444
13	L-Connector 1/4"M x 8MM BSPT (complete assembly requires 4 qty)	720501-000198
14	1/4" M/F Finger Filter	730110-000034
15	T-Connector 8mm x 8mm x 8mm BSPT, Red/Black	720501-000228
16	2"-3" TAF Motor Connecting Flange NPT	710101-000765
17	Flat Washer M6 DIN125, Stainless Steel 316	760103-000094
18	Hex Bolt Full Thread M6 x 25 DIN933, Stainless Steel 316 (complete assembly requires 4 qty)	760101-000445
19	2"-3" TAF-500/750 Endless Worm Shaft Housing	710103-001207

3" TAF - 750 ELECTRIC

NO.	DESCRIPTION	SAP. CAT.NO.
20	TAF Motor Housing O-Ring 3.5mm x 45mm, NBR Seal	770101-000051
21	TAF Seal U-Cup (Scanner Shaft)	710101-000767
22	O-Ring 30mm x 3mm, NBR Seal	770101-000049
23	TAF Reversible Worm Shaft Screw	710103-001247
24	Slotted Pin 3mm x 30mm DIN1481, Stainless Steel 304	760105-000033
25	2"-3" TAF-500/750 Endless Worm Shaft Tooth	710103-001209
26	TAF Endless Worm Shaft Tooth Spring, Stainless Steel 302	760107-000065
27	2"-3" TAF-500/750 Tooth Cover, Stainless Steel 316L	710103-001210
28	Hex Bolt Full Thread M6 x 15mm DIN933, Stainless Steel 304 (complete assembly requires 2 qty)	760101-000443
29	2"-3" TAF-500/750 Motor Shaft Coupler, Stainless Steel 316L	710103-001216
30	Socket Set Screw M6 x 6mm DIN916, Stainless Steel 304 (complete assembly requires 4 qty)	760101-000544
31	2"-3" TAF-500/750 Drive Unit Base, Stainless Steel 316L	710103-001217
32	2"-3" TAF-750 Drive Unit 110V AC 60 HZ	720201-000032
33	Hex Bolt Full Thread M6 x 60mm DIN933, Stainless Steel 316	760101-000607
34	Hex Nut M6 DIN934, Stainless Steel 316	760102-000085
35	2"-3" TAF-500/750 Instrumentation Bracket	710103-001212
36	PD Switch UE 24-011	720104-000029
37	Phillips Pan Machine Screw M4 x 10mm DIN7985, Stainless Steel 316 (complete assembly requires 2 qty)	760101-000529
38	Hex Nut M4 DIN934, Stainless Steel 304 (complete assembly requires 2 qty)	760102-000083
39	2"-3" TAF-750 Solenoid Valve 24VAC 60Hz	700190-001817
40	L-Connector 1/8"M x 6mm	720501-000209

3" TAF - 750 ELECTRIC

NO.	DESCRIPTION	SAP. CAT.NO.
41	2"-3" TAF-500/750 Drive Unit Cover	710103-001204
42	2"-3" TAF-750 Sling for AMIAD Controller, Stainless Steel 316L	710105-004321
43	AMC-6 Electronic Controller Only 110V AC	720101-000554
44	Phillips Pan Machine Screw M5 x 8mm DIN7985, Stainless Steel 304	760101-000530
45	Phillips Pan Machine Screw M5 x 8mm DIN7985, Stainless Steel 304	760101-000530
46	3/4" Cap Complete with Seal	700190-001192
47	3" TAF-750 Flange NPT	710101-000568
48	3" Universal Flange Support	710105-003783
49	3" Flange O-Ring P2-339, NBR Seal	770102-000150
50	1/4" M Plug	720501-000221

3" TAF - 750 ELECTRIC SUCTION SCANNER

NO.	DESCRIPTION	SAP. CAT.NO.
1	2"-3" TAF Suction Scanner without Shaft	700190-001935
1.1 & 1.2	2"-3" TAF Suction Scanner Nozzle No.1 & No.2 (two pieces pre-assembled) (complete suction scanner assembly requires 6 qty)	710101-000751
1.3	Phillips Pan Tap Screw PT4 x 20mm, Stainless Steel 316 (each scanner nozzle assembly requires 2 qty)	760101-000537
2	2"-3" TAF-750 Suction Scanner Shaft	710103-001208
3	Slotted Pin 3mm x 30mm DIN1481, Stainless Steel 304	760105-000033
4	2"-3" TAF-750 Suction Scanner Guide	710103-000693

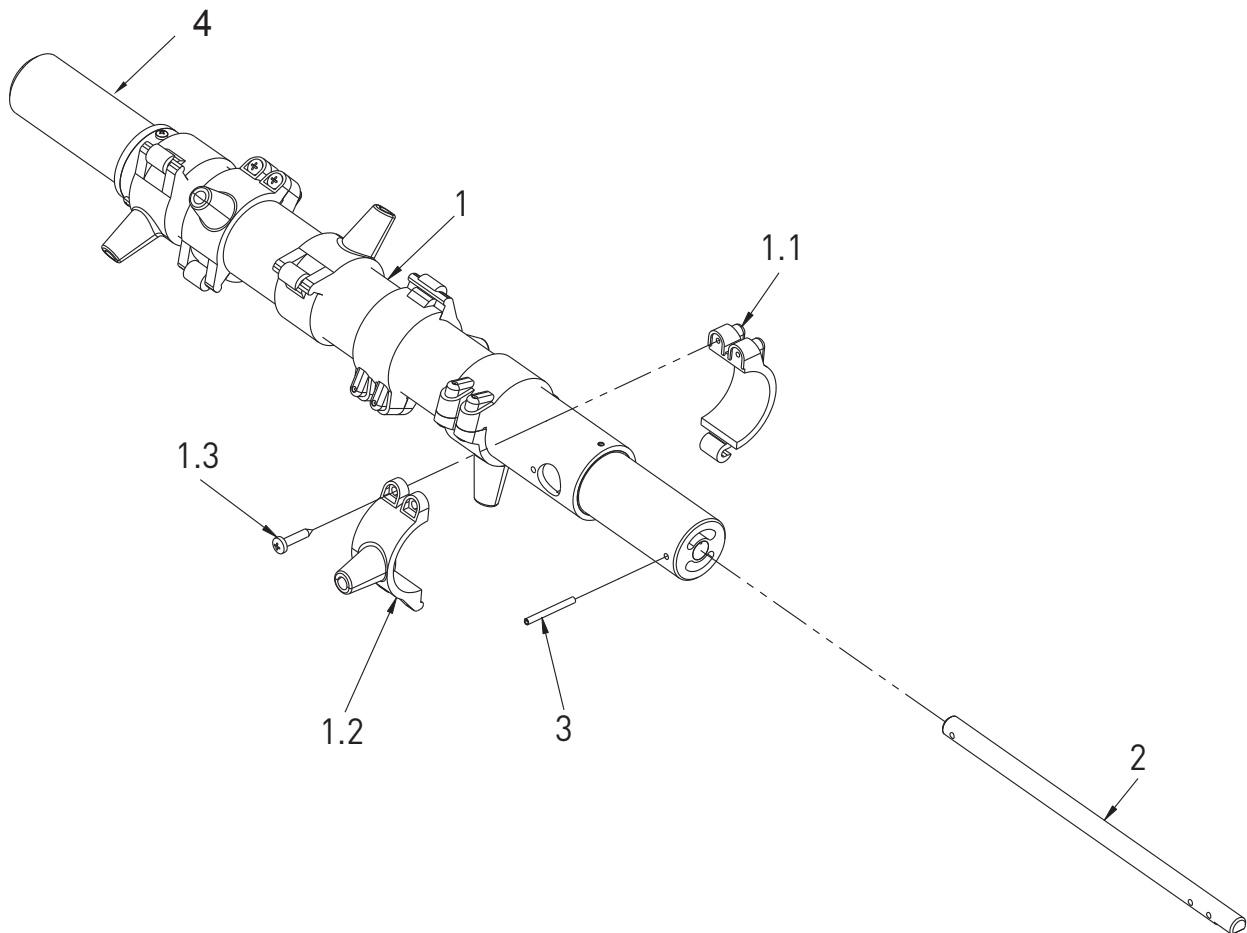


TABLE OF CONTENTS

Sigma Filter

4" Sigma 6000 - Hydraulic	E1-4
4" Sigma 6000 - Electronic	E5-8
Sigma Electronic Controller AMC-6	E9-10

4" SIGMA 6000 - HYDRAULIC

NO.	DESCRIPTION	SAP. CAT.NO.
1	4" Sigma Snap Flange Assembly	700190-000227
1.1	4" Sigma Flange Gasket, EPDM	770104-000253
1.2	4" Sigma Snap Flange Ring Stopper	710101-000431
1.3	4" Sigma Flange	710103-004932
2	3/4" Ball Valve	300005-000001
3	3/4" x 1" Male Reducer/Connector	780101-000220
4	4" Sigma Assembly Body with Sleeve	700190-004225
5	4" Sigma Assembly Body with Sleeve and Flanges	700190-004220
6	Bottom Assembly O-Ring 2-237, EPDM	770102-000034
7	4" Sigma Bottom Assembly with Pre-Screen	700190-004222
8	4" Sigma Molded Weavewire St/St 316 Screen, 375SQ.CM. 80 Micron, EPDM O-Ring	700101-001509
	4" Sigma Molded Weavewire St/St 316 Screen, 375SQ.CM. 100 Micron, EPDM O-Ring	700101-001506
	4" Sigma Molded Weavewire St/St 316 Screen, 375SQ.CM. 130 Micron, EPDM O-Ring	700101-001505
	4" Sigma Molded Weavewire St/St 316 Screen, 375SQ.CM. 200 Micron, EPDM O-Ring	700101-001507
	4" Sigma Molded Weavewire St/St 316 Screen, 375SQ.CM. 300 Micron, EPDM O-Ring	700101-001508
	4" Sigma Molded Weavewire St/St 316 Screen, 375SQ.CM. 500 Micron, EPDM O-Ring	700101-001634
8.1	Screen O-Ring 2-244, EPDM (each screen requires 2 qty)	770102-000384
9	Sigma Scanner Assembly with Nozzles	700190-005106
10	Sigma Scanner Nozzle 8mm	710101-001138
11	Sigma Quadropod Assembly with Seal	700190-004409
12	Bushing 1" x 1/2" Machined with Seal	700190-004472
13	L-Connector 1/2"M x 12mm, BSP	720501-000663
14	4" Sigma Clamp Assembly	700190-004133
14.1	4" Sigma Machined Plastic Clamp	710103-005220
14.2	Machined Screw for Sigma Body Clamp	710101-005294
14.3	Washer for Sigma Body Clamp/Screw	710101-000234
15	Hydraulic Seal for Sigma Top Plate, EPDM	770104-000301

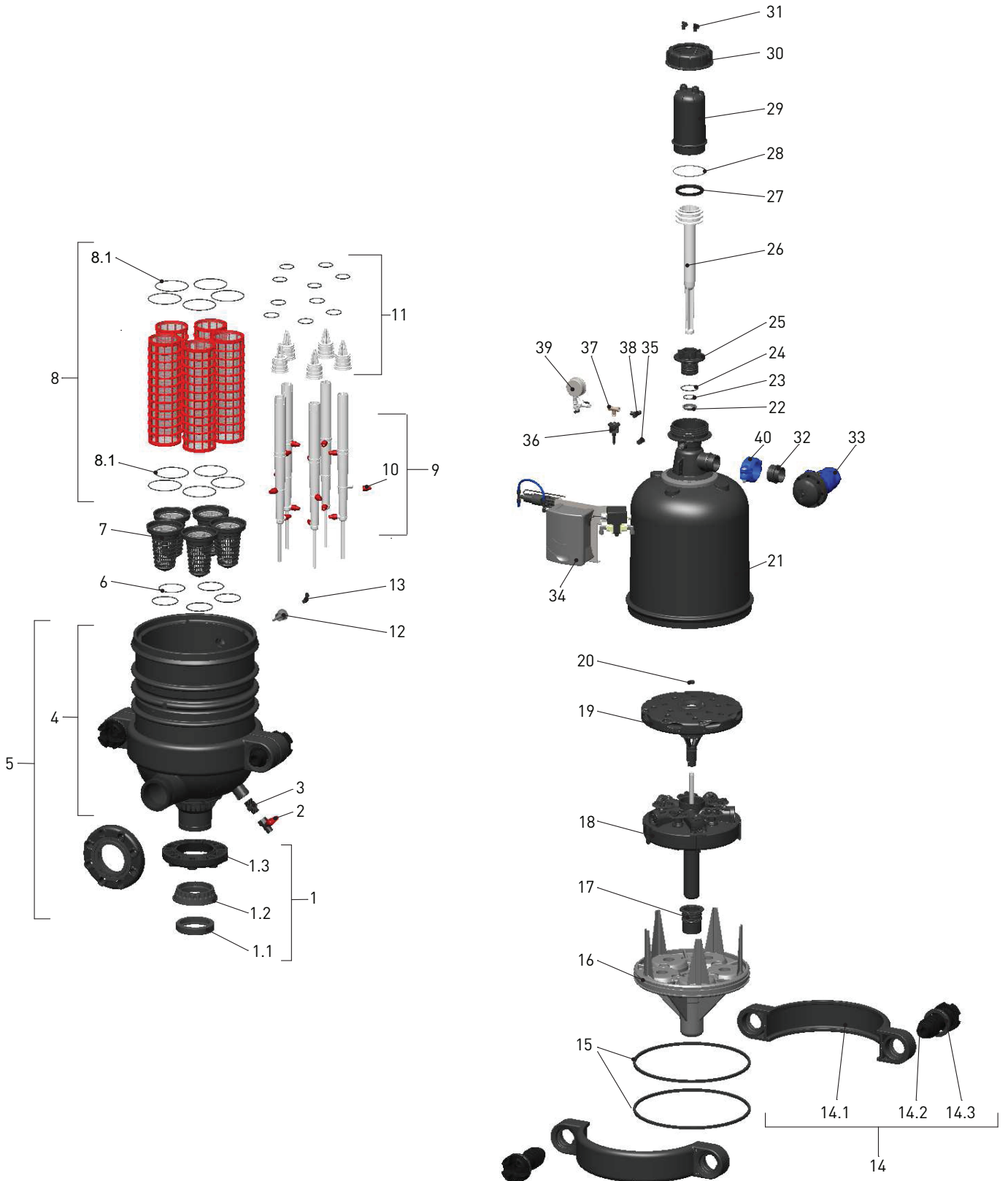
4" SIGMA 6000 - HYDRAULIC

NO.	DESCRIPTION	SAP. CAT.NO.
16	Sigma Top Plate	710103-004711
17	Central Gear Box Guide	710101-001089
18	Gear Assembly	700190-003591
19	Turbine Assembly	700190-003583
20	Gear Rod Cap	710103-005293
21	4" Sigma Flushing Assembly	700190-003594
21.1	Cover Assembly for Sigma	700190-004221
21.2	Rod Wiper Seal 40mm, NBR	770104-000241
21.3	O-Ring 5-321, EPDM	770102-000385
21.4	O-Ring 2-227, EPDM	770102-000030
21.5	Piston Bushing	710103-004712
21.6	Sigma Piston	710101-001093
21.7	U-Cup Seal 95mm x 75mm x 10mm, NBR	770105-000019
21.8	O-Ring 2-156, EPDM	770102-000027
21.9	Piston Cylinder Machined	710103-004840
21.10	Piston Housing External Nut	710103-004993
22	2" Victaulic Threaded Adaptor Assembly	700190-003407
23	2" NC Flush Valve Assembly, BSP	700190-004211
24	Sigma Rinse Controller	700190-004111
25	Hex Nut 1/4" UNC B18.2.2, Stainless Steel 304	760102-000006
26	Flat Washer 1/4", Stainless Steel 304	760103-000005
27	Hex Bolt Full Thread 1/4" UNC x 1", Stainless Steel 304	760101-000030
28	Straight Connector 1/4"F x 8mm, BSPT	720501-000134

4" SIGMA 6000 - HYDRAULIC

NO.	DESCRIPTION	SAP. CAT.NO.
29	Sigma Pressure Gauge Assembly	700190-003224
30	L-Connector 1/4"M x 8mm	720501-000139
31	Distributor Assembly	700190-004463
31.1	Straight Connector 1/4"M x 8mm, BSPT	720501-000132
31.2	Top Divisor	710103-005292
31.3	L-Connector 1/2"M x 12mm, BSPT	720501-000663
31.4	L-Connector 1/8" x 8mm, BSPT	720501-000137
31.5	SY-3 1/8" Valve, Brass	730104-000192
31.6	Plug 1/8"M, BSPT	720501-000666
31.7	Plug 1/4"M, BSPT	720501-000221
31.8	L-Connector 1/4"M x 8mm, BSPT	720501-000139
32	2" Victaulic Connector, Carbon Steel	780102-000058

4" SIGMA 6000 - ELECTRONIC



4" SIGMA 6000 - ELECTRONIC

NO.	DESCRIPTION	SAP. CAT.NO.
1	4" Sigma Snap Flange Assembly	700190-000227
1.1	4" Sigma Flange Gasket, EPDM	770104-000253
1.2	4" Sigma Snap Flange Ring Stopper	710101-000431
1.3	4" Sigma Flange	710103-004932
2	3/4" Ball Valve Plastic	300005-000001
3	3/4" x 1" Male Reducer/Connector	780101-000220
4	4" Sigma Assembly Body with Sleeve	700190-004225
5	4" Sigma Assembly Body with Sleeve and Flanges	700190-004220
6	Bottom Assembly O-Ring 2-237, EPDM	770102-000034
7	4" Sigma Bottom Assembly with Pre-Screen	700190-004222
8	4" Sigma Molded Weavewire St/St 316 Screen, 375SQ.CM. 80 Micron, EPDM O-Ring	700101-001509
	4" Sigma Molded Weavewire St/St 316 Screen, 375SQ.CM. 100 Micron, EPDM O-Ring	700101-001506
	4" Sigma Molded Weavewire St/St 316 Screen, 375SQ.CM. 130 Micron, EPDM O-Ring	700101-001505
	4" Sigma Molded Weavewire St/St 316 Screen, 375SQ.CM. 200 Micron, EPDM O-Ring	700101-001507
	4" Sigma Molded Weavewire St/St 316 Screen, 375SQ.CM. 300 Micron, EPDM O-Ring	700101-001508
	4" Sigma Molded Weavewire St/St 316 Screen, 375SQ.CM. 500 Micron, EPDM O-Ring	700101-001634
8.1	Screen O-Ring 2-244, EPDM (each screen requires 2 qty)	770102-000384
9	Sigma Scanner Assembly with Nozzles	710190-005106
10	Sigma Scanner Nozzle 8mm	710101-001138
11	Sigma Quadropod Assembly with Seal	700190-004409
12	1" x 1/4" Thread Adaptor, Bushing and Seal	700190-000206
13	L-Connector 1/4"M x 8mm, BSPT	720501-000139
14	4" Sigma Clamp Assembly	700190-004133
14.1	4" Sigma Machined Plastic Clamp	710103-005220
14.2	Machined Screw for Sigma Body Clamp	710103-005294

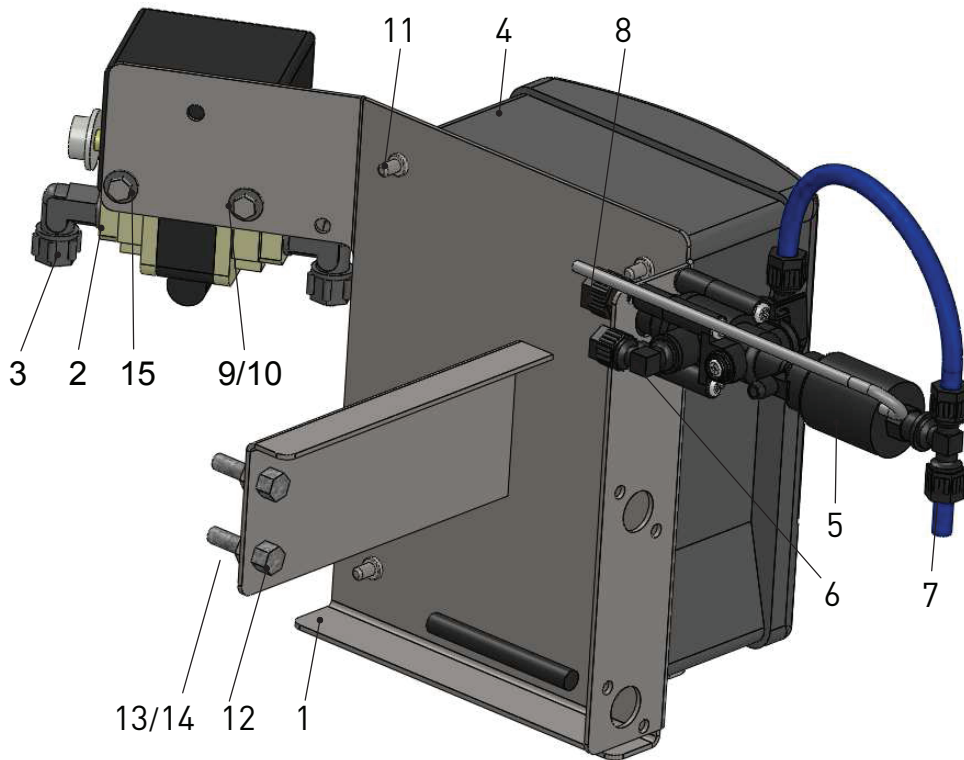
4" SIGMA 6000 - ELECTRONIC

NO.	DESCRIPTION	SAP. CAT.NO.
14.3	Washer for Sigma Body Clamp/Screw	710101-000234
15	Hydraulic Seal for Sigma Top Plate, EPDM	770104-000301
16	Top Plate	710103-004711
17	Central Gear Box Guide	710101-001089
18	Gear Assembly	700190-003591
19	Turbine Assembly	700190-003583
20	Gear Rod Cap	710103-005293
21	Cover Assembly for Sigma	700190-004221
22	Rod Wiper Seal 40mm, NBR	770104-000241
23	O-Ring 5-321, EPDM	770102-000385
24	O-Ring 2-227, EPDM	770102-000030
25	Piston Bushing	710103-004712
26	Sigma Piston	710101-001093
27	U-Cup Seal 95mm x 75mm x 10mm, NBR	770105-000019
28	O-Ring 2-156, EPDM	770102-000027
29	Piston Cylinder Machined	710103-004840
30	Piston Housing External Nut	710103-004993
31	L-Connector 1/4"M x 8mm	720501-000139
32	2" Victaulic Threaded Adaptor Assembly	700190-003407
33	2" NC Flush Valve Assembly, BSP	700190-004211
34	AMC-6 Electronic Controller Only 6/12V DC AMC-6 Electronic Controller Only 110V AC	720101-000477 720101-000554

4" SIGMA 6000 - ELECTRONIC

NO.	DESCRIPTION	SAP. CAT.NO.
35	Straight Connector 1/4"F x 8mm, BSPT	720501-000134
36	1" x 1/4" Thread Adaptor, Bushing and Seal	700190-000206
37	T-Connector 1/4"F x 1/4"M x 1/4"F Nickel Plated	720501-000056
38	T-Connector 8mm x 1/4"M x 8mm Tefen Tee	720501-000136
39	Pressure Gauge Assembly	700190-003224
40	2" Victaulic Connector, Carbon Steel	780102-000058

SIGMA ELECTRONIC CONTROLLER AMC-6



SIGMA ELECTRONIC CONTROLLER AMC-6

NO.	DESCRIPTION	SAP. CAT.NO.
1	AMC Controller Bracket for Sigma, Stainless Steel 316	760109-000141
2	Sigma United PD Switch	700103-000004
3	L-Connector 1/4"M x 8mm, Plastic	730113-000421
4	AMC-6 Electronic Controller Only 6/12V DC AMC-6 Electronic Controller Only 110V AC	720101-000477 720101-000554
5	GEM-SOL Solenoid - 24V AC Bacsol Solenoid - 12VDC	700190-001817 720103-000001
6	L-Connector 1/8" x 8mm, BSPT	720501-000137
7	T-Connector 8mm x 1/8"M x 8mm, BSPT	720501-000135
8	Straight Connector 1/8"M x 8mm, BSPT	720501-000130
9	Hex Bolt Full Thread M5 x 15mm DIN933, Stainless Steel 304	760101-000026
10	Hex Nut M5 DIN934, Stainless Steel 304	760102-000084
11	Phillips Pan Machine Screw M5 x 12mm DIN7985, Stainless Steel 304	760101-000988
12	Hex Bolt Full Thread 1/4"UNC x 1", Stainless Steel 304	760101-000030
13	Hex Nut 1/4" UNC B18.2.2, Stainless Steel 304	760102-000006
14	Flat Washer 1/4", Stainless Steel 304	760103-000005
15	Flat Washer 3/16", Stainless Steel 304	760103-000003

SIGMA ELECTRONIC CONTROLLER OPTIONS (NOT PICTURED)

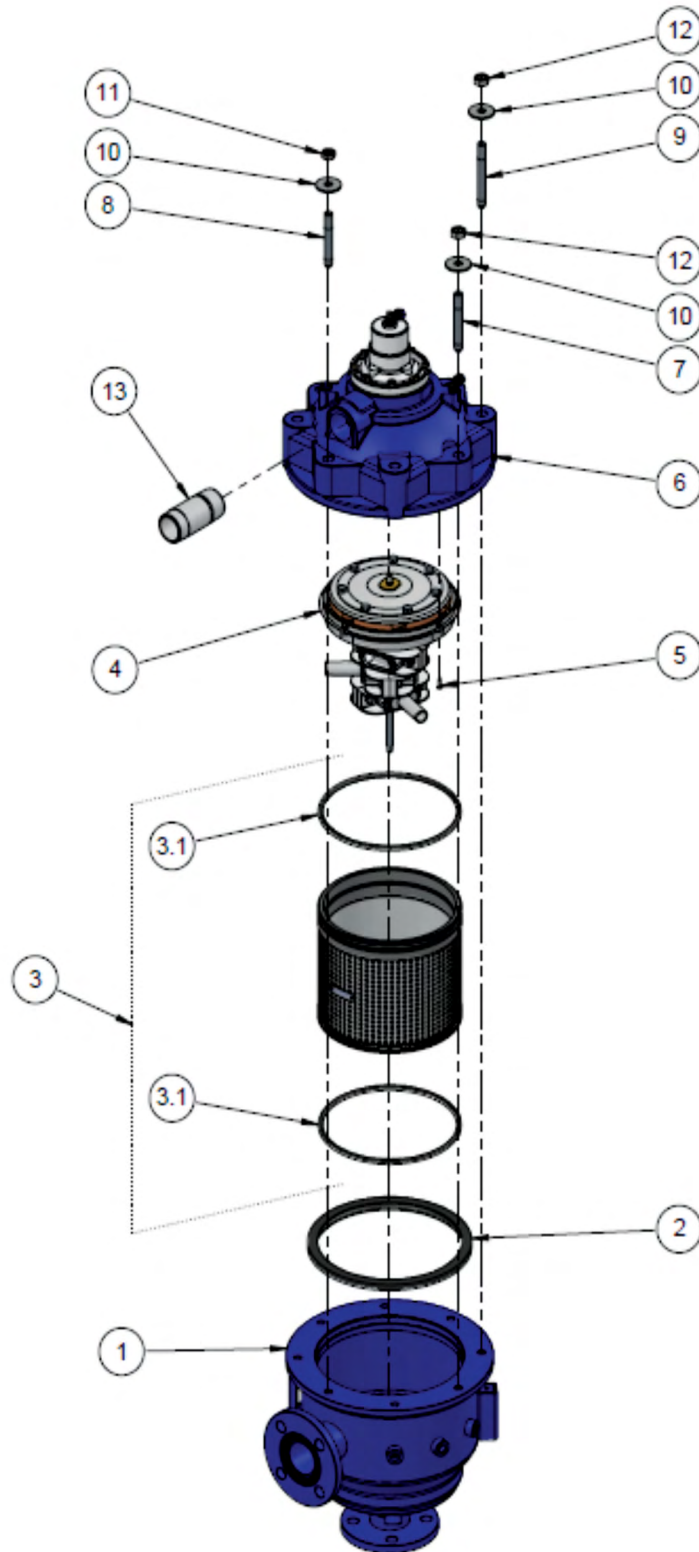
External Waterproof Transformer - Convert DC to 110V AC	720290-000314
AMC-6 Controller Kit for 2-Unit System - 6/12V DC AMC-6 Controller Kit for 2-Unit System - 110V AC	700103-001320 700103-001335
AMC-6 Controller Kit for 3-Unit System - 6/12V DC AMC-6 Controller Kit for 3-Unit System - 110V AC	700103-001319 700103-001336

TABLE OF CONTENTS

M100 Filters

M100-750 Hydraulic Filter (M102C, M103C)	F1-8
M100-750 Electronic Filter (M102C, M103C)	F9-16
M100-1500 Hydraulic Filter (M103CL, M104C)	F17-24
M100-1500 Electronic Filter (M103CL, M104C)	F25-32
M100-4500 Hydraulic Filter (M104LP, M104LPN, M106LP)	F33-40
M100-4500 Electronic Filter (M104LP, M104LPN, M106LP)	F41-50
M100-6800 Hydraulic Filter (M104XLP, M106XLP, M108LP, M110P)	F51-58
M100-6800 Electronic Filter (M104XLP, M106XLP, M108LP, M110P)	F59-69

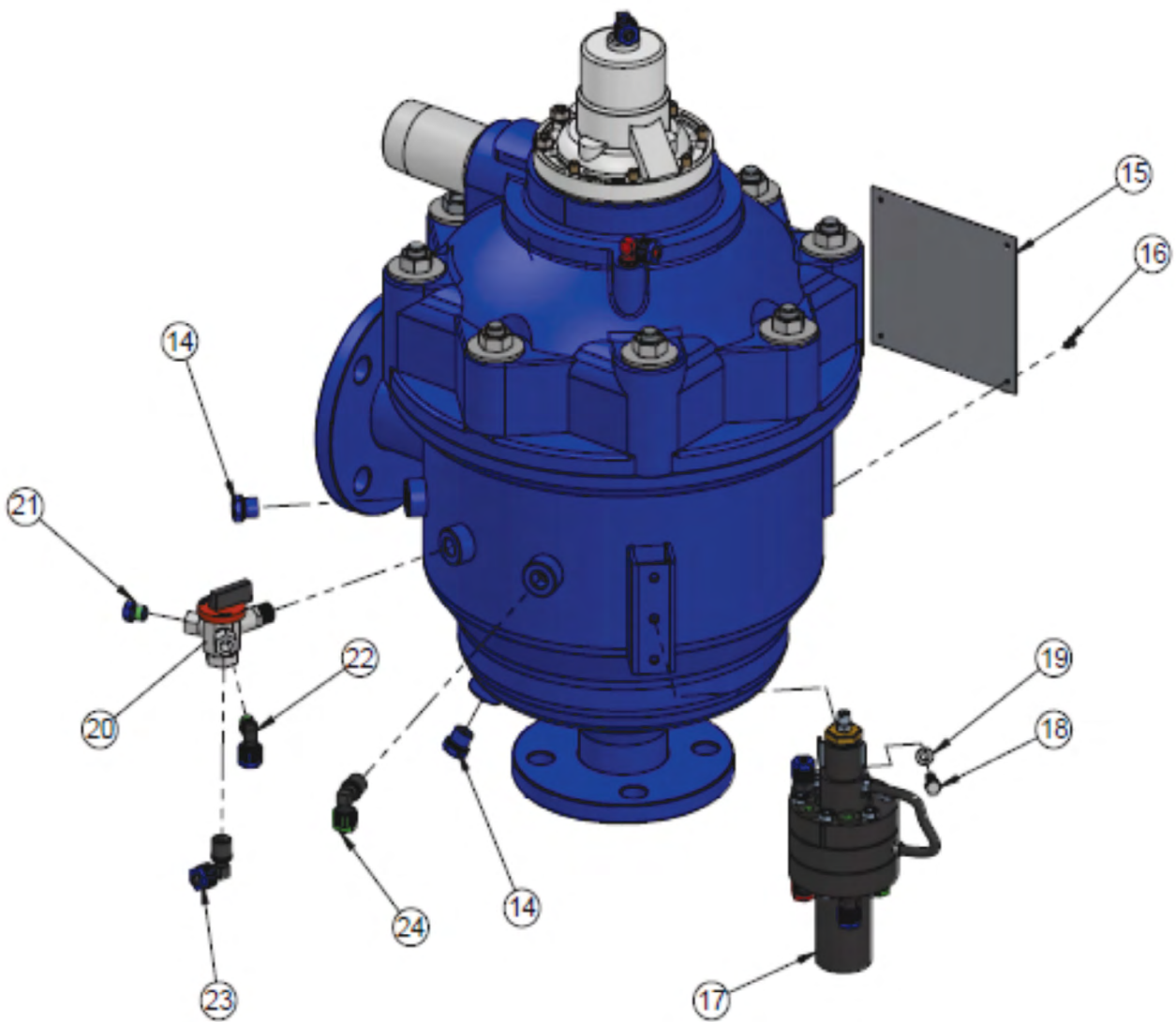
M100-750 HYDRAULIC FILTER (M102C, M103C)



M100-750 HYDRAULIC FILTER (M102C, M103C)

NO.	DESCRIPTION	SAP. CAT.NO.
1	Filter Housing M102C NPT	710105-000478
1	Filter Housing M103C NPT	710105-000487
2	Hydraulic Lid Seal for M102C, M103C, M103CL, M104C, NBR	770104-000156
3	M102C & M103C Molded Weavewire St/St 316 Screen, 750SQ.CM. 50 micron, NBR Seal	700101-001608
	M102C & M103C Molded Weavewire St/St 316 Screen, 750SQ.CM. 50 micron, NBR Seal	700101-000612
	M102C & M103C Molded Weavewire St/St 316 Screen, 750SQ.CM. 50 micron, NBR Seal	700101-000613
	M102C & M103C Molded Weavewire St/St 316 Screen, 750SQ.CM. 50 micron, NBR Seal	700101-000614
	M102C & M103C Molded Weavewire St/St 316 Screen, 750SQ.CM. 50 micron, NBR Seal	700101-000615
	M102C & M103C Molded Weavewire St/St 316 Screen, 750SQ.CM. 50 micron, NBR Seal	700101-000616
	M102C & M103C Molded Weavewire St/St 316 Screen, 750SQ.CM. 50 micron, NBR Seal	700101-000617
3.1	Screen O-Ring 674, NBR	770102-000217
4	Dirt Collector Assembly with 3 Nozzles for M102C, M103C	700190-001724
5	Phillips Flat Tap Screw No.8 5/8", Stainless Steel 304	760101-000689
6	Cover Assembly for M102C, M103C, M103CL, M104C	700190-001727
7	Stud Bolt Medium 1/2"UNC x 100MM, Stainless Steel 304	760104-000082
8	Stud Bolt Short 1/2"UNC x 92MM, Stainless Steel 304	760104-000081
9	Stud Bolt Long 1/2"UNC x 108MM, Stainless Steel 304	760104-000084
10	Flat Washer 1/2"UNC, Zinc Plated Carbon Steel	760103-000068
11	Hex Jam Nut 1/2"UNC, Stainless Steel 304	760102-000096
12	Hex Nut 1/2"UNC, Zinc Plated Carbon Steel	760102-000052
13	Fitting Nipple 1-1/2" x 105MM BSP/NPT, PVC	780101-000935

M100-750 HYDRAULIC FILTER (M102C, M103C)

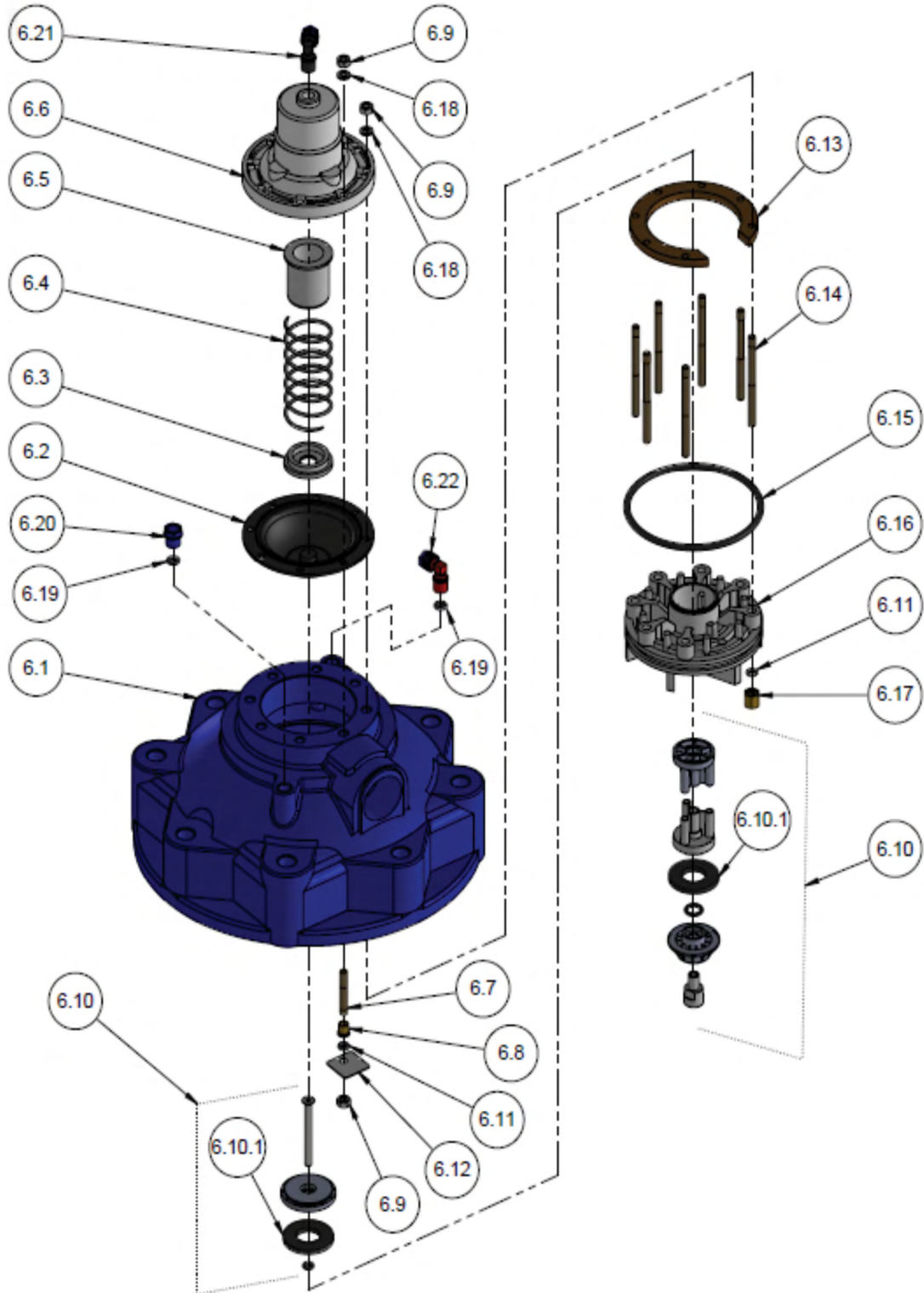


M100-750 HYDRAULIC FILTER (M102C, M103C)

NO.	DESCRIPTION	SAP. CAT.NO.
14	Plug 1/4"M, BSPT	720501-000190
15	Filtomat Nameplate, English	900103-000001
16	Blind Rivet 3MM x 6MM DIN7337, Stainless Steel 316	760105-000036
17	Rinse Controller Assembly for M100 Pistonless Models	700190-001522
18	Hex Bolt Full Thread 1/4"UNC x 1/2", Stainless Steel 316	760101-000552
19	Spring Washer M6 DIN127, Stainless Steel 316	760103-000109
20	SY-3 1/8" Valve, Brass	730104-000192
21	Fitting Plug 1/8" BSPT	720501-000197
22	L-Connector 1/8" M x 8MM BSPT*	720501-000245
23	L-Connector 1/4"M x 8MM BSPT*	720501-000229
24	L-Connector 1/4"M x 8MM BSPT*	720501-000205

*6MM part numbers and descriptions provided on F69 for older installations that were originally supplied with 6MM tubing and connectors.

M100-750 HYDRAULIC FILTER (M102C, M103C)

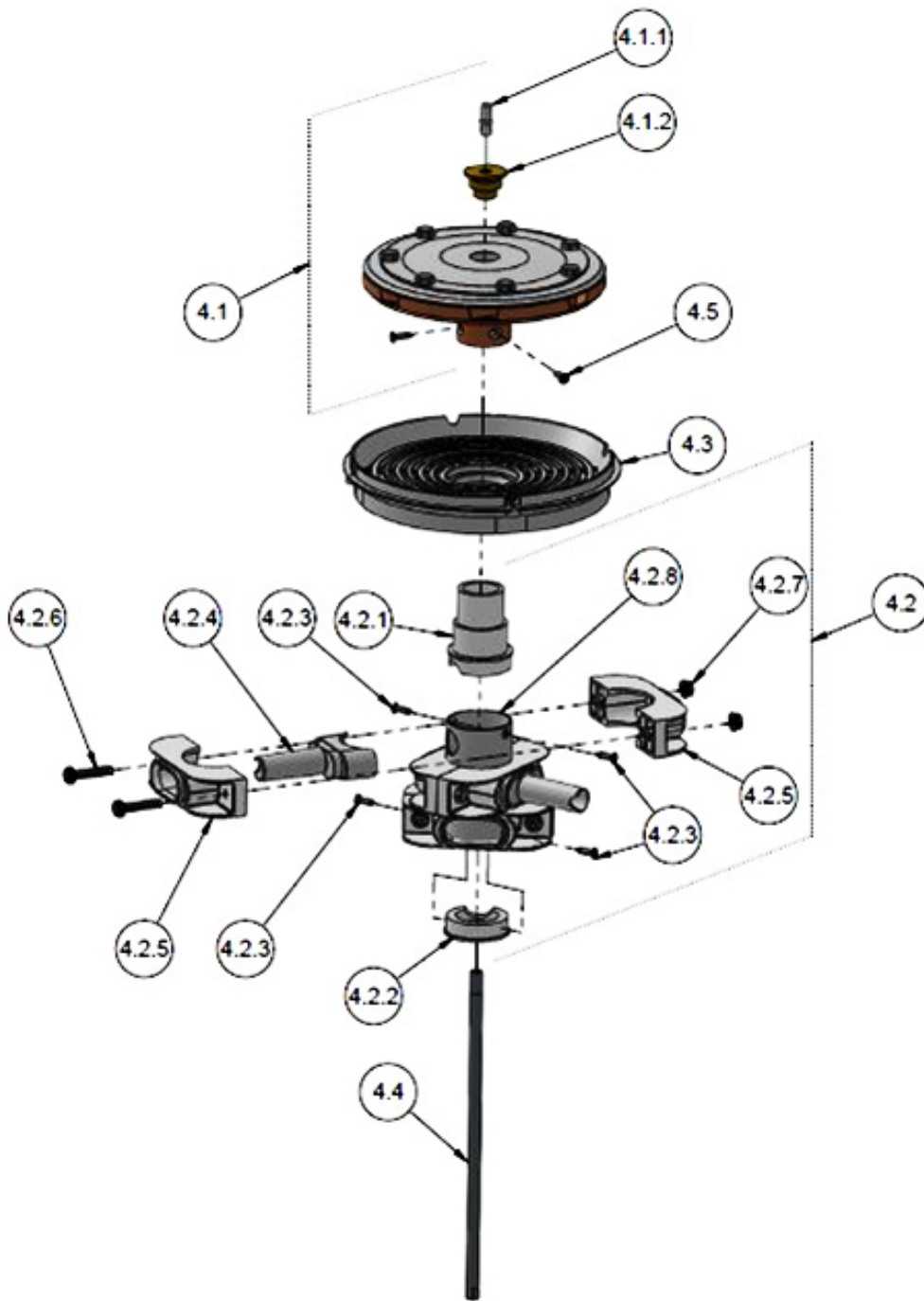


M100-750 HYDRAULIC FILTER (M102C, M103C)

NO.	DESCRIPTION	SAP. CAT.NO.
6	Cover Assembly for M102C, M103C, M103CL, M104C	700190-001727
6.1	Cover for M102C, M103C, M103CL, M104C	710103-000816
6.2	Diaphragm Seal for M102C, M103C, M103CL, M104C, NBR	770106-000028
6.3	Spring Guide for M102C, M103C, M103CL, M104C	710101-000703
6.4	Spring, Stainless Steel 302	760107-000070
6.5	Guide Spring Plug for M102C, M103C, M103CL, M104C	710101-000702
6.6	Diaphragm Cover for M102C, M103C, M103CL, M104C	710103-000984
6.7	Short Rod Tie for M102C, M103C, M103CL, M104C	710103-001083
6.8	Bushing for M102C, M103C, M103CL, M104C, Brass	710103-000896
6.9	Hex Nut 1/4"UNC, Stainless Steel 316	760102-000078
6.10	Exhaust Valve Assembly for M102C, M103C, M103CL, M104C	700190-001741
6.10.1	Shaped Seal for Valve for M102C, M103C, M103CL, M104C, NBR	770104-000133
6.11	O-Ring P2-107, NBR	770102-000079
6.12	Square Washer 30MM x 30MM, Stainless Steel 316	710103-001084
6.13	Rod Tie Support for M102C, M103C, M103CL, M104C, Brass	710103-001089
6.14	Long Rod Tie, Brass	710103-001097
6.15	O-Ring P2-351, NBR	770102-000156
6.16	Seat Valve for M102C, M103C	710103-000990
6.17	Nut for M102C, M103C, M103CL, M104C, Brass	710103-001080
6.18	Flat Washer M6 DIN125, Stainless Steel 316	760103-000094
6.19	O-Ring 6MM x 3MM, NBR	770101-000042
6.20	Plug 1/4"M, BSPT	720501-000190
6.21	L-Connector 1/4" M x 8MM BSPT*	720501-000198
6.22	L-Connector 1/4" M x 8MM BSPT*	720501-000198

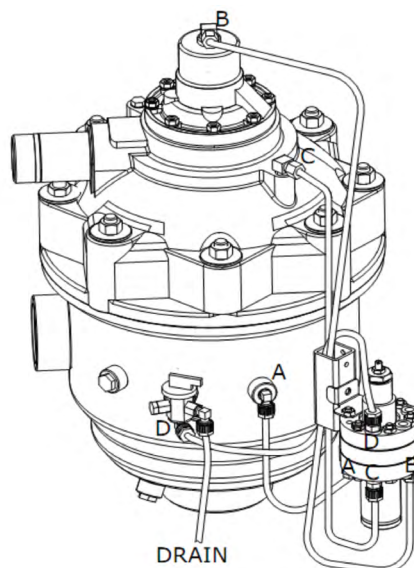
*6MM part numbers and descriptions provided on F69 for older installations that were originally supplied with 6MM tubing and connectors.

M100-750 HYDRAULIC FILTER (M102C, M103C)

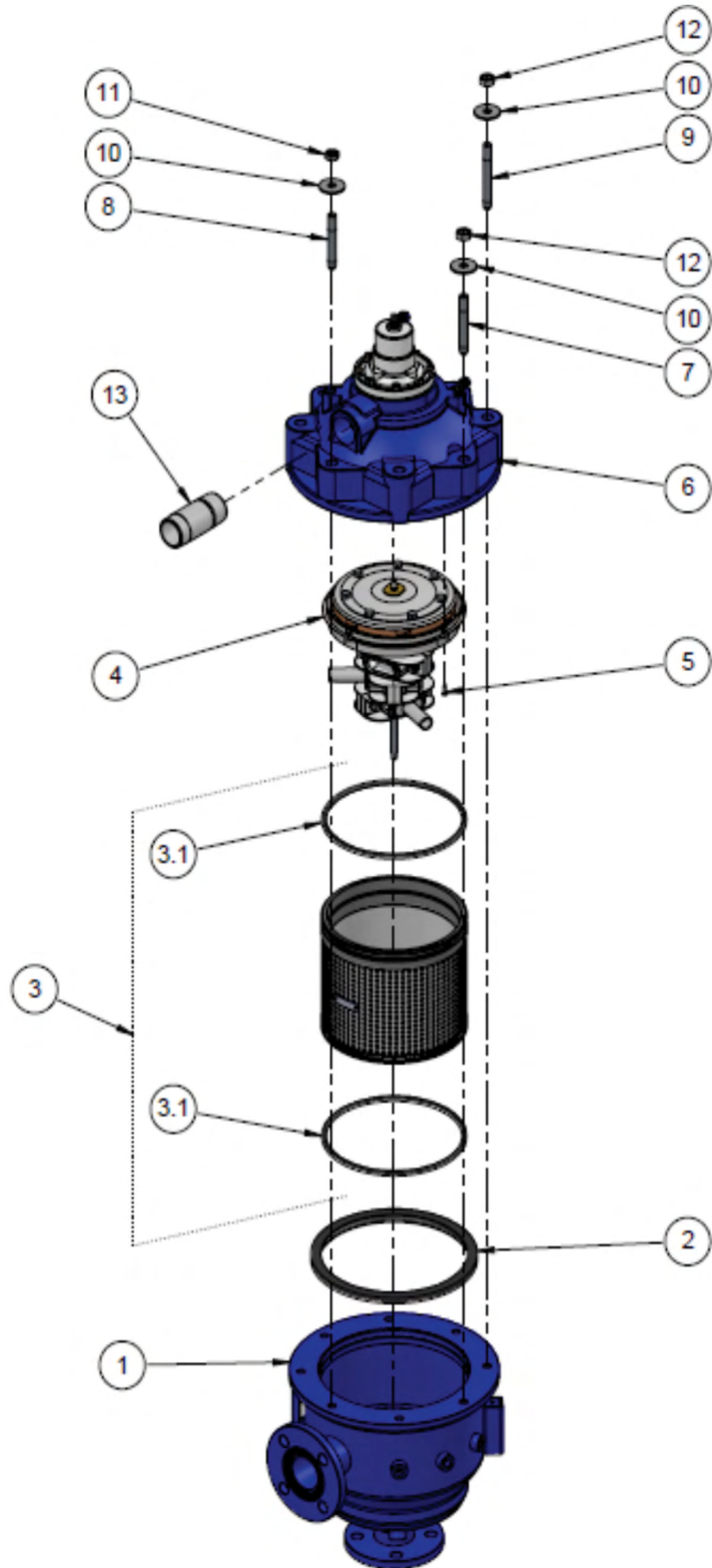


M100-750 HYDRAULIC FILTER (M102C, M103C)

NO.	DESCRIPTION	SAP. CAT.NO.
4	Dirt Collector Assembly with 3 Nozzles for M102C, M103C	700190-001724
4.1	Rotor Assembly for M102C, M103C, M103CL, M104C	700190-001739
4.1.1	Lower Bearing Male for M102C, M103C, M103CL, M104C, Stainless Steel 316	710103-001349
4.1.2	Male Bearing Housing, Brass	710103-001088
4.2.1	Dirt Collector Top Plug, PVC	710103-001096
4.2.2	Dirt Collector Bottom Plug, PVC	710103-001113
4.2.3	Hex Bolt Full Thread 5/16"UNC x 1", Stainless Steel 304	760101-000426
4.2.4	Dirt Collector Nozzle	710101-000692
4.2.5	Dirt Collector Nozzle Clip	710101-000693
4.2.6	Hex Bolt Partial Thread 1/4"UNC x 1-1/4", Stainless Steel 304	760101-000417
4.2.7	Nylon Insert Locking Nut 1/4"UNC DIN985, Stainless Steel 316	760102-000097
4.2.8	Dirt Collector Body for M102C, M103C	710103-001095
4.3	Partition for M102C, M103C, M103CL, M104C	710103-000986
4.4	Dirt Collector Shaft for M102C, M103C, M103CL, M104C, Stainless Steel 303	710103-001087
4.5	Phillips Flat Tapping Screw No.8 x 5/8", Stainless Steel 304	760101-000689



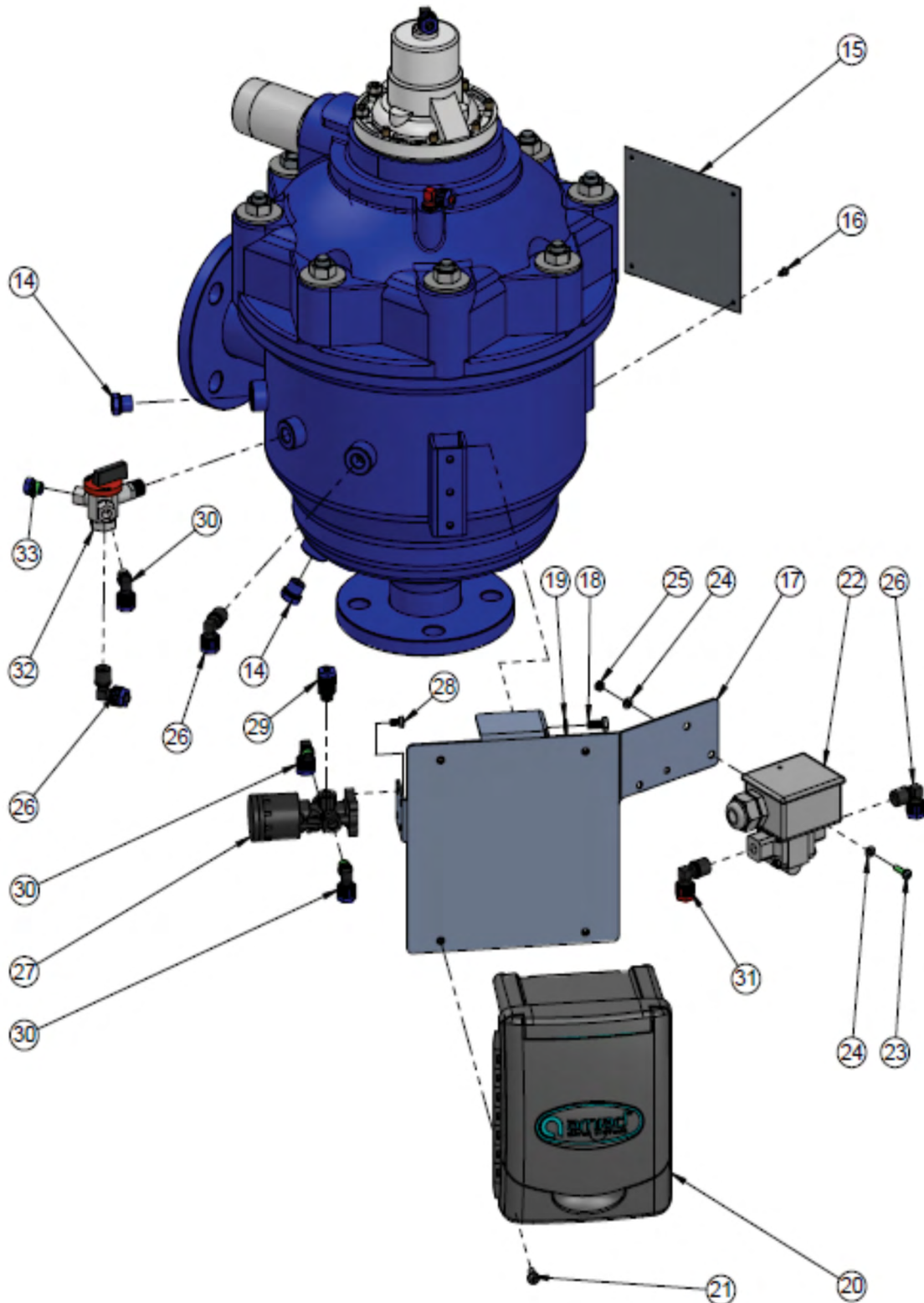
M100-750 ELECTRONIC FILTER (M102C, M103C)



M100-750 ELECTRONIC FILTER (M102C, M103C)

NO.	DESCRIPTION	SAP. CAT.NO.
1	Filter Housing M102C NPT	710105-000478
1	Filter Housing M103C NPT	710105-000487
2	Hydraulic Lid Seal for M102C, M103C, M103CL, M104C, NBR	770104-000156
3	M102C & M103C Molded Weavewire St/St 316 Screen, 750SQ.CM. 50 micron, NBR Seal	700101-001608
	M102C & M103C Molded Weavewire St/St 316 Screen, 750SQ.CM. 50 micron, NBR Seal	700101-000612
	M102C & M103C Molded Weavewire St/St 316 Screen, 750SQ.CM. 50 micron, NBR Seal	700101-000613
	M102C & M103C Molded Weavewire St/St 316 Screen, 750SQ.CM. 50 micron, NBR Seal	700101-000614
	M102C & M103C Molded Weavewire St/St 316 Screen, 750SQ.CM. 50 micron, NBR Seal	700101-000615
	M102C & M103C Molded Weavewire St/St 316 Screen, 750SQ.CM. 50 micron, NBR Seal	700101-000616
	M102C & M103C Molded Weavewire St/St 316 Screen, 750SQ.CM. 50 micron, NBR Seal	700101-000617
3.1	Screen O-Ring 674, NBR	770102-000217
4	Dirt Collector Assembly with 3 Nozzles for M102C, M103C	700190-001724
5	Phillips Flat Tap Screw No.8 5/8", Stainless Steel 304	760101-000689
6	Cover Assembly for M102C, M103C, M103CL, M104C	700190-001727
7	Stud Bolt Medium 1/2"UNC x 100MM, Stainless Steel 304	760104-000082
8	Stud Bolt Short 1/2"UNC x 92MM, Stainless Steel 304	760104-000081
9	Stud Bolt Long 1/2"UNC x 108MM, Stainless Steel 304	760104-000084
10	Flat Washer 1/2"UNC, Zinc Plated Carbon Steel	760103-000068
11	Hex Jam Nut 1/2"UNC, Stainless Steel 304	760102-000096
12	Hex Nut 1/2"UNC, Zinc Plated Carbon Steel	760102-000052
13	Fitting Nipple 1-1/2" x 105MM BSP/NPT, PVC	780101-000935

M100-750 ELECTRONIC FILTER (M102C, M103C)

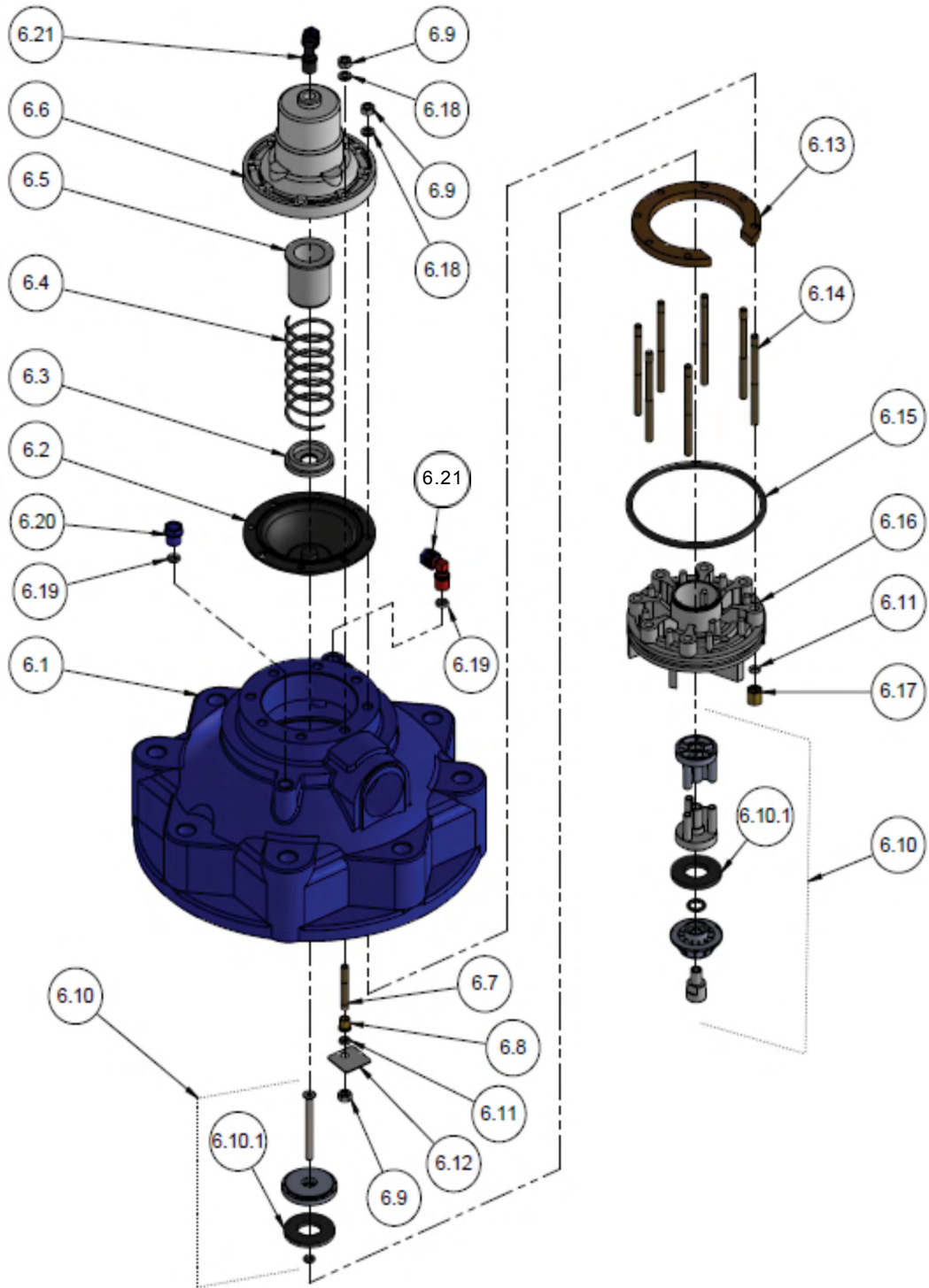


M100-750 ELECTRONIC FILTER (M102C, M103C)

NO.	DESCRIPTION	SAP. CAT.NO.
14	Plug 1/4"M, BSPT	720501-000190
15	Filtomat Nameplate, English	900103-000001
16	Blind Rivet 3MM x 6MM DIN7337, Stainless Steel 316	760105-000036
17	Sling for Amiad AMC Controller, M102C, M103C, M103CL, M104C	710105-004335
18	Hex Bolt Full Thread 1/4"UNC x 1/2", Stainless Steel 316	760101-000552
19	Spring Washer M6 DIN127, Stainless Steel 316	760103-000109
20	AMC-6 Electronic Controller Only 6/12V DC AMC-6 Electronic Controller Only 110V AC	720101-000477 720101-000554
21	Phillips Pan Machine Screw M5 x 12mm DIN7985, Stainless Steel 304	760101-000988
22	Midwest PD Switch 24-011	720104-000028
23	Phillips Pan Machine Screw M4 x 15MM DIN7985, Stainless Steel 304	760101-000510
24	Flat Washer M4 DIN125, Stainless Steel 304	760103-000092
25	Hex Nut M4 DIN934, Stainless Steel 304	760102-000083
26	L-Connector 1/4"M x 8MM BSPT*	720501-000229
27	12V DC Solenoid Latch Valve Body S982-2L 24V AC Solenoid 60HZ NC	720103-000308 700190-001817
28	Phillips Pan Machine Screw M5 x 8MM, Stainless Steel 304	760101-000530
29	Straight Connector 1/8" x 8MM BSPT*	720501-000212
30	L-Connector 1/8" M x 8MM BSPT*	720501-000245
31	L-Connector 1/4" M x 8MM BSPT*	720501-000198
32	SY-3 1/8" Valve, Brass	730104-000192
33	Fitting Plug 1/8" BSPT	720501-000197

*6MM part numbers and descriptions provided on F69 for older installations that were originally supplied with 6MM tubing and connectors.

M100-750 ELECTRONIC FILTER (M102C, M103C)

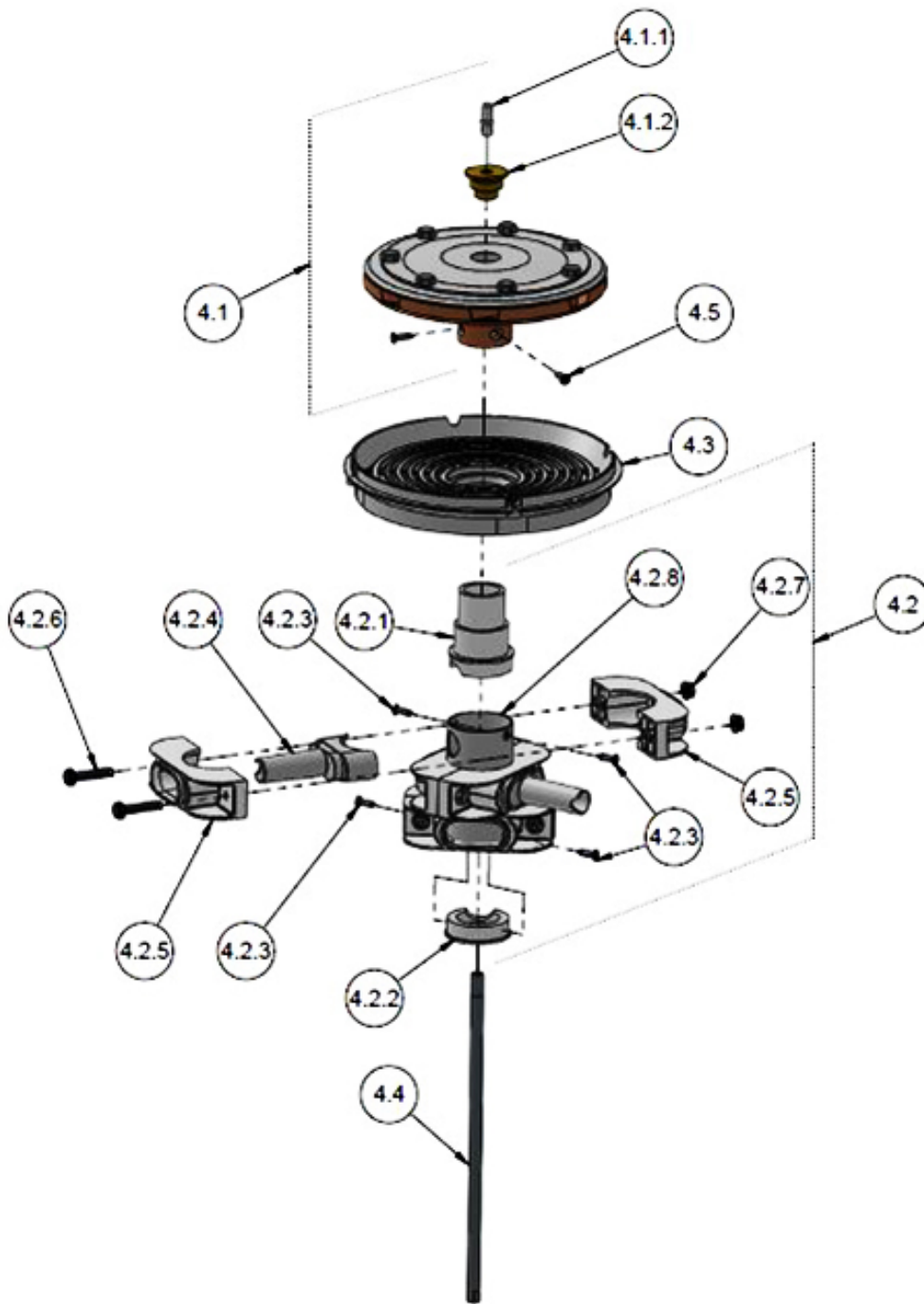


M100-750 ELECTRONIC FILTER (M102C, M103C)

NO.	DESCRIPTION	SAP. CAT.NO.
6	Cover Assembly for M102C, M103C, M103CL, M104C	700190-001727
6.1	Cover for M102C, M103C, M103CL, M104C	710103-000816
6.2	Diaphragm Seal for M102C, M103C, M103CL, M104C, NBR	770106-000028
6.3	Spring Guide for M102C, M103C, M103CL, M104C	710101-000703
6.4	Spring, Stainless Steel 302	760107-000070
6.5	Guide Spring Plug for M102C, M103C, M103CL, M104C	710101-000702
6.6	Diaphragm Cover for M102C, M103C, M103CL, M104C	710103-000984
6.7	Short Rod Tie for M102C, M103C, M103CL, M104C	710103-001083
6.8	Bushing for M102C, M103C, M103CL, M104C, Brass	710103-000896
6.9	Hex Nut 1/4"UNC, Stainless Steel 316	760102-000078
6.10	Exhaust Valve Assembly for M102C, M103C, M103CL, M104C	700190-001741
6.10.1	Shaped Seal for Valve for M102C, M103C, M103CL, M104C, NBR	770104-000133
6.11	O-Ring P2-107, NBR	770102-000079
6.12	Square Washer 30MM x 30MM, Stainless Steel 316	710103-001084
6.13	Rod Tie Support for M102C, M103C, Brass	710103-001089
6.14	Long Rod Tie, Brass	710103-001097
6.15	O-Ring P2-351, NBR	770102-000156
6.16	Seat Valve for M102C, M103C, M103CL, M104C	710103-000990
6.17	Nut for M102C, M103C, M103CL, M104C, Brass	710103-001080
6.18	Flat Washer M6 DIN125, Stainless Steel 316	760103-000094
6.19	O-Ring 6MM x 3MM, NBR	770101-000042
6.20	Plug 1/4"M, BSPT	720501-000190
6.21	L-Connector 1/4" M x 8MM BSPT*	720501-000198

*6MM part numbers and descriptions provided on F69 for older installations that were originally supplied with 6MM tubing and connectors.

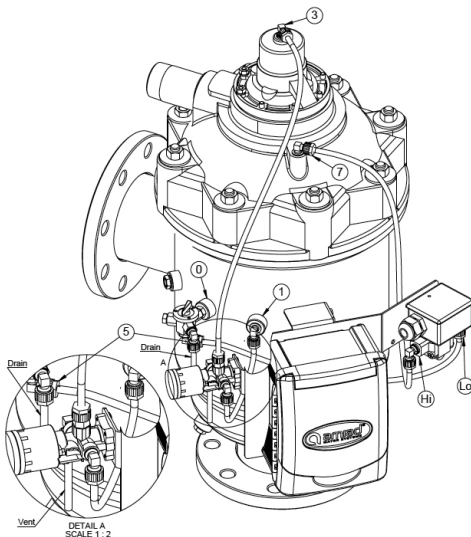
M100-750 ELECTRONIC FILTER (M102C, M103C)



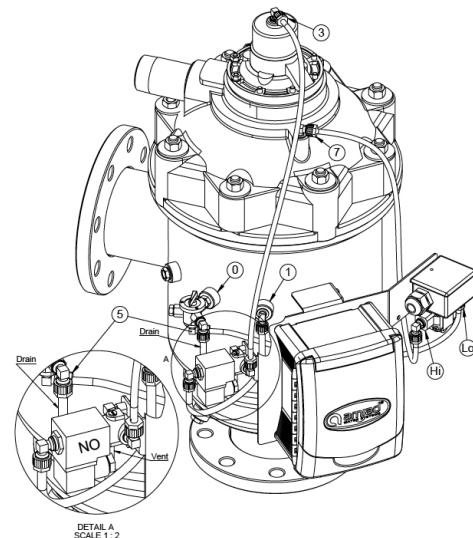
M100-750 ELECTRONIC FILTER (M102C, M103C)

NO.	DESCRIPTION	SAP. CAT.NO.
4	Dirt Collector Assembly with 3 Nozzles for M102C, M103C	700190-001724
4.1	Rotor Assembly for M102C, M103C, M103CL, M104C	700190-001739
4.1.1	Lower Bearing Male for M102C, M103C, M103CL, M104C, Stainless Steel 316	710103-001349
4.1.2	Male Bearing Housing, Brass	710103-001088
4.2.1	Dirt Collector Top Plug, PVC	710103-001096
4.2.2	Dirt Collector Bottom Plug, PVC	710103-001113
4.2.3	Hex Bolt Full Thread 5/16"UNC x 1", Stainless Steel 304	760101-000426
4.2.4	Dirt Collector Nozzle	710101-000692
4.2.5	Dirt Collector Nozzle Clip	710101-000693
4.2.6	Hex Bolt Partial Thread 1/4"UNC x 1-1/4", Stainless Steel 304	760101-000417
4.2.7	Nylon Insert Locking Nut 1/4"UNC DIN985, Stainless Steel 316	760102-000097
4.2.8	Dirt Collector Body for M102C, M103C	710103-001095
4.3	Partition for M102C, M103C, M103CL, M104C	710103-000986
4.4	Dirt Collector Shaft for M102C, M103C, M103CL, M104C, Stainless Steel 303	710103-001087
4.5	Phillips Flat Tap Screw No.8 5/8", Stainless Steel 304	760101-000689

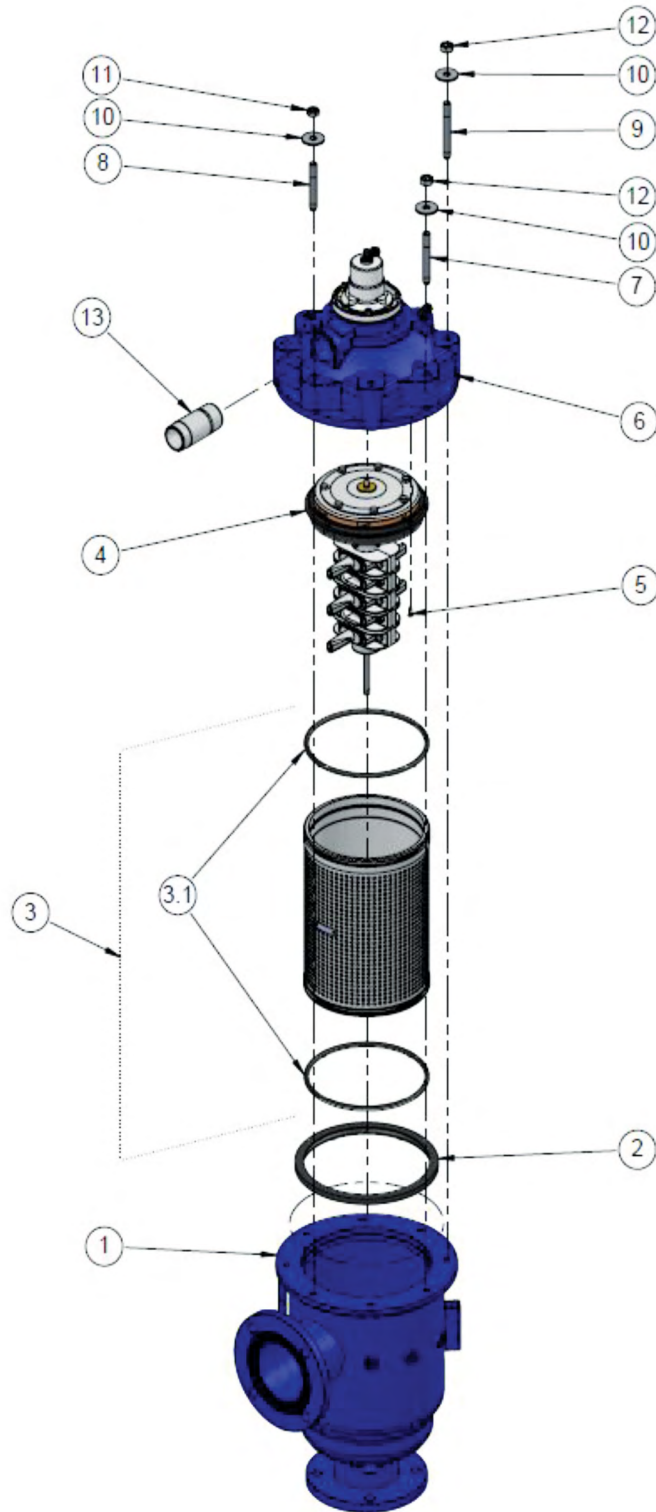
DC Model



AC Model



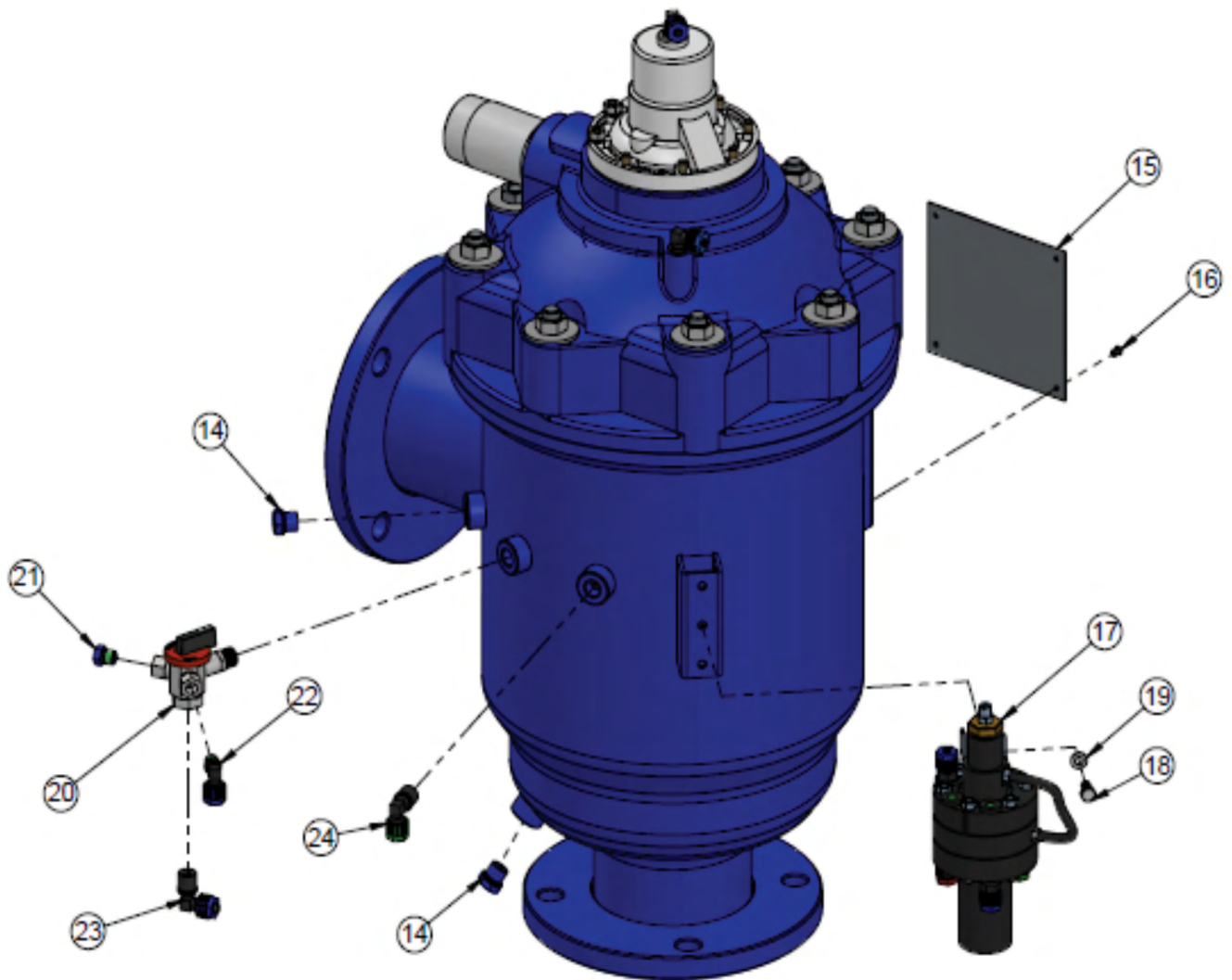
M100-1500 HYDRAULIC FILTER (M103CL, M104C)



M100-1500 HYDRAULIC FILTER (M103CL, M104C)

NO.	DESCRIPTION	SAP. CAT.NO.
1	Filter Housing M103CL NPT, Carbon Steel	710105-000498
1	Filter Housing M104C, ASA150, Carbon Steel	710105-000505
2	Hydraulic Lid Seal for M102C, M103C, M103CL, M104C, NBR	770104-000156
3	M103CL & M104C Molded Weavewire St/St 316 Screen, 1500SQ.CM. 50 micron, NBR Seal	700101-001676
	M103CL & M104C Molded Weavewire St/St 316 Screen, 1500SQ.CM. 80 micron, NBR Seal	700101-000629
	M103CL & M104C Molded Weavewire St/St 316 Screen, 1500SQ.CM. 100 micron, NBR Seal	700101-000630
	M103CL & M104C Molded Weavewire St/St 316 Screen, 1500SQ.CM. 130 micron, NBR Seal	700101-000631
	M103CL & M104C Molded Weavewire St/St 316 Screen, 1500SQ.CM. 200 micron, NBR Seal	700101-000632
	M103CL & M104C Molded Weavewire St/St 316 Screen, 1500SQ.CM. 300 micron, NBR Seal	700101-000633
	M103CL & M104C Molded Weavewire St/St 316 Screen, 1500SQ.CM. 500 micron, NBR Seal	700101-000634
3.1	Screen O-Ring 674, NBR	770102-000217
4	Dirt Collector Assembly Complete with 5 Nozzles M103CL, M104C	700190-001756
5	Phillips Flat Tap Screw No.8 3/4", Stainless Steel 316	760101-000508
6	Cover Assembly for M102C, M103C, M103CL, M104C	700190-001727
7	Stud Bolt Medium 1/2"UNC x 100MM, Stainless Steel 304	760104-000082
8	Stud Bolt Short 1/2"UNC x 92MM, Stainless Steel 304	760104-000081
9	Stud Bolt Long 1/2"UNC x 108MM, Stainless Steel 304	760104-000084
10	Flat Washer 1/2"UNC, Zinc Plated Carbon Steel	760103-000068
11	Hex Jam Nut 1/2"UNC, Stainless Steel 304	760102-000096
12	Hex Nut 1/2"UNC, Zinc Plated Carbon Steel	760102-000052
13	Fitting Nipple 1-1/2" x 105MM BSP/NPT, PVC	780101-000935

M100-1500 HYDRAULIC FILTER (M103CL, M104C)

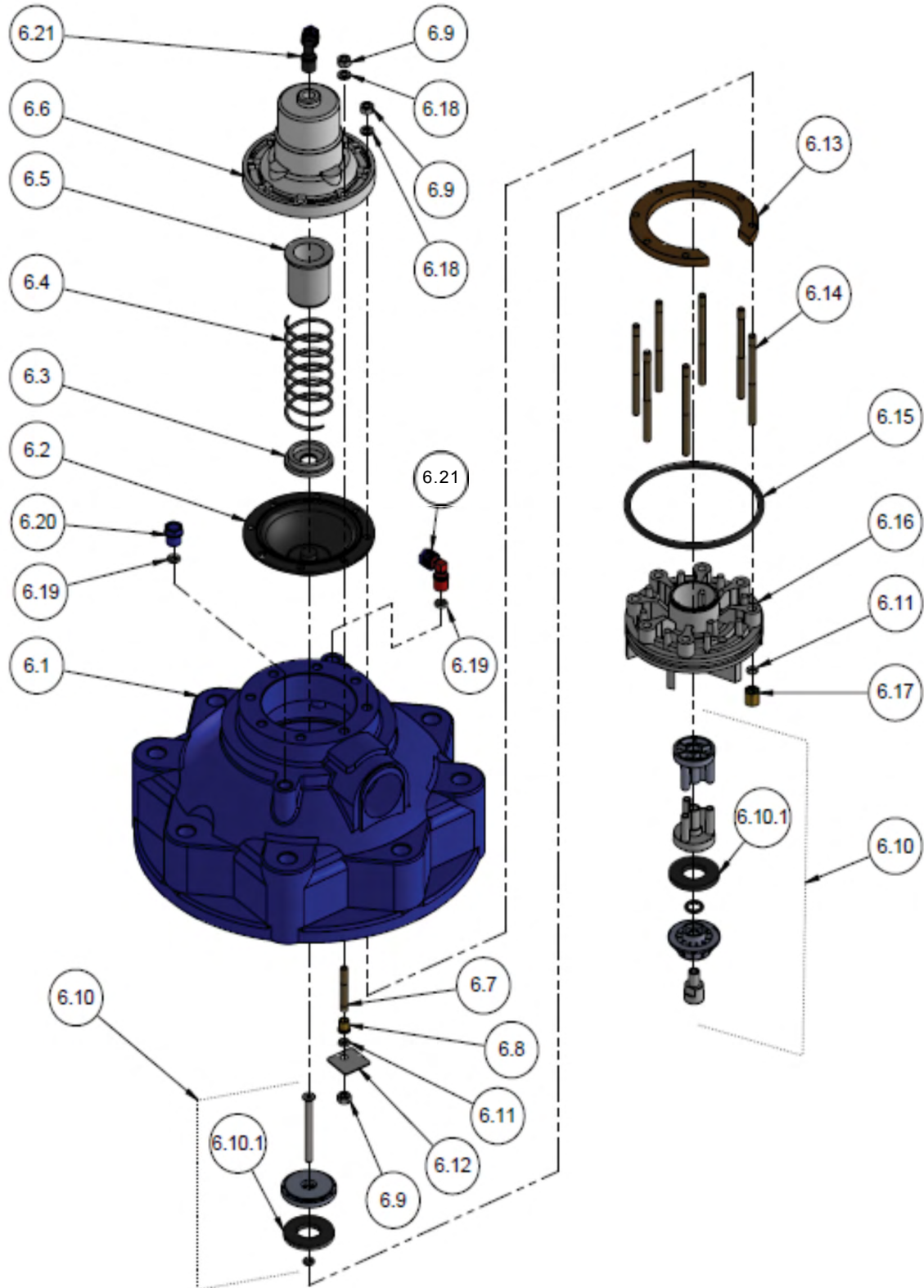


M100-1500 HYDRAULIC FILTER (M103CL, M104C)

NO.	DESCRIPTION	SAP. CAT.NO.
14	Plug 1/4"M, BSPT	720501-000190
15	Filtomat Nameplate, English	900103-000001
16	Blind Rivet 3MM x 6MM DIN7337, Stainless Steel 316	760105-000036
17	Rinse Controller Assembly for M100 Pistonless Models	700190-001522
18	Hex Bolt Full Thread 1/4"UNC x 1/2", Stainless Steel 316	760101-000552
19	Spring Washer M6 DIN127, Stainless Steel 316	760103-000109
20	SY-3 1/8" Valve, Brass	730104-000192
21	Fitting Plug 1/8" BSPT	720501-000197
22	L-Connector 1/8" M x 8MM BSPT*	720501-000245
23	L-Connector 1/4"M x 8MM BSPT*	720501-000229
24	L-Connector 1/4"M x 8MM BSPT*	720501-000205

*6MM part numbers and descriptions provided on F69 for older installations that were originally supplied with 6MM tubing and connectors.

M100-1500 HYDRAULIC FILTER (M103CL, M104C)

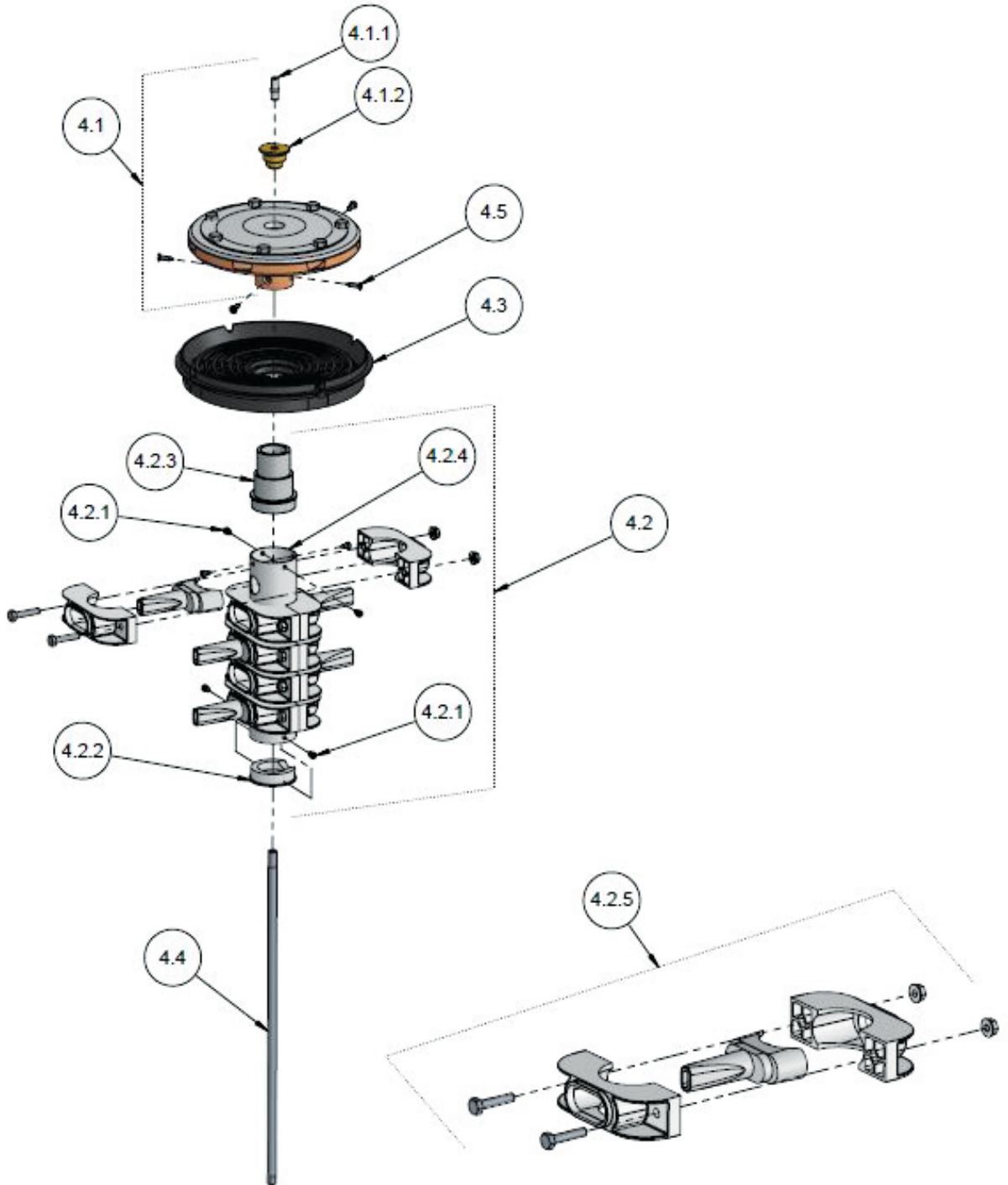


M100-1500 HYDRAULIC FILTER (M103CL, M104C)

NO.	DESCRIPTION	SAP. CAT.NO.
6	Cover Assembly for M102C, M103C, M103CL, M104C	700190-001727
6.1	Cover for M102C, M103C, M103CL, M104C	710103-000816
6.2	Diaphragm Seal for M102C, M103C, M103CL, M104C, NBR	770106-000028
6.3	Spring Guide for M102C, M103C, M103CL, M104C	710101-000703
6.4	Spring, Stainless Steel 302	760107-000070
6.5	Guide Spring Plug for M102C, M103C, M103CL, M104C	710101-000702
6.6	Diaphragm Cover for M102C, M103C, M103CL, M104C	710103-000984
6.7	Short Rod Tie for M102C, M103C, M103CL, M104C	710103-001083
6.8	Bushing for M102C, M103C, M103CL, M104C, Brass	710103-000896
6.9	Hex Nut 1/4"UNC, Stainless Steel 316	760102-000078
6.10	Exhaust Valve Assembly for M102C, M103C, M103CL, M104C	700190-001741
6.10.1	Shaped Seal for Valve for M102C, M103C, M103CL, M104C, NBR	770104-000133
6.11	O-Ring P2-107, NBR	770102-000079
6.12	Square Washer 30MM x 30MM, Stainless Steel 316	710103-001084
6.13	Rod Tie Support for M102C, M103C, M103CL, M104C, Brass	710103-001089
6.14	Long Rod Tie, Brass	710103-001097
6.15	O-Ring P2-351, NBR	770102-000156
6.16	Seat Valve for M102C, M103C, M103CL, M104C	710103-000990
6.17	Nut for M102C, M103C, M103CL, M104C, Brass	710103-001080
6.18	Flat Washer M6 DIN125, Stainless Steel 316	760103-000094
6.19	O-Ring 6MM x 3MM, NBR	770101-000042
6.20	Plug 1/4"M, BSPT	720501-000190
6.21	L-Connector 1/4" M x 8MM BSPT*	720501-000198

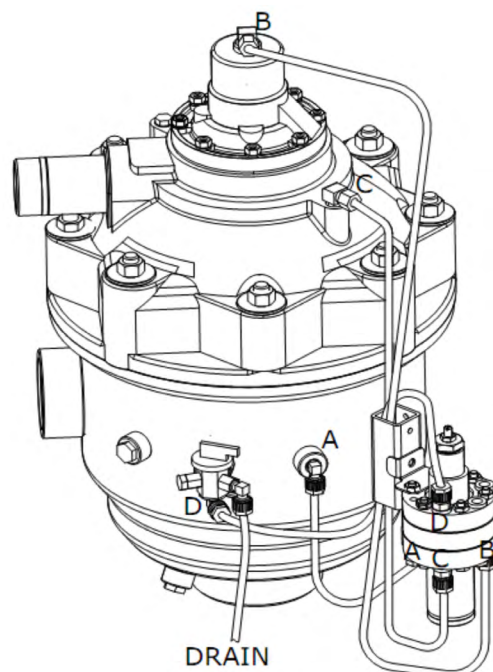
*6MM part numbers and descriptions provided on F69 for older installations that were originally supplied with 6MM tubing and connectors.

M100-1500 HYDRAULIC FILTER (M103CL, M104C)

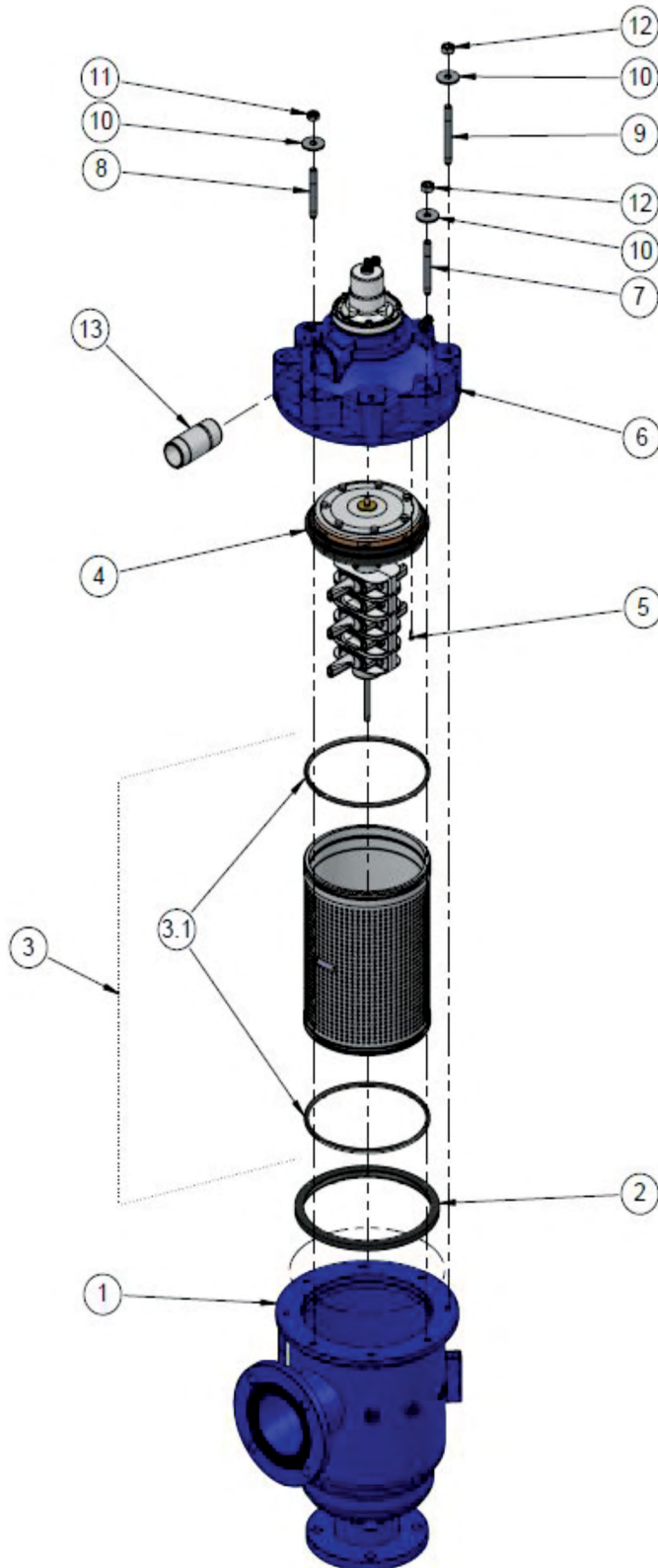


M100-1500 HYDRAULIC FILTER (M103CL, M104C)

NO.	DESCRIPTION	SAP. CAT.NO.
4	Dirt Collector Assembly Complete with 5 Nozzles M103CL, M104C	700190-001756
4.1	Rotor Assembly for M102C, M103C, M103CL, M104C	700190-001739
4.1.1	Lower Bearing Male for M102C, M103C, M103CL, M104C, Stainless Steel 316	710103-001349
4.1.2	Male Bearing Housing, Brass	710103-001088
4.2	Dirt Collector Sub-Assembly with 5 Nozzles M103CL, M104C	700190-001766
4.2.1	Phillips Pan Tap Screw No.8 x 3/8", Stainless Steel 316	760101-000688
4.2.2	Dirt Collector Bottom Plug, PVC	710103-001113
4.2.3	Dirt Collector Top Plug, PVC	710103-001096
4.2.4	Dirt Collector Body 52MM, Stainless Steel 316 M103CL, M104C	710103-001114
4.2.5	Suction Nozzle and Clamps 52MM for M103CL, M104C	700190-001609
4.3	Partition for M102C, M103C, M103CL, M104C	710103-000986
4.4	Shaft Dirt Collector M103CL, M104C, Stainless Steel 303	710103-001115
4.5	Phillips Flat Tap Screw No.8 5/8", Stainless Steel 304	760101-000689



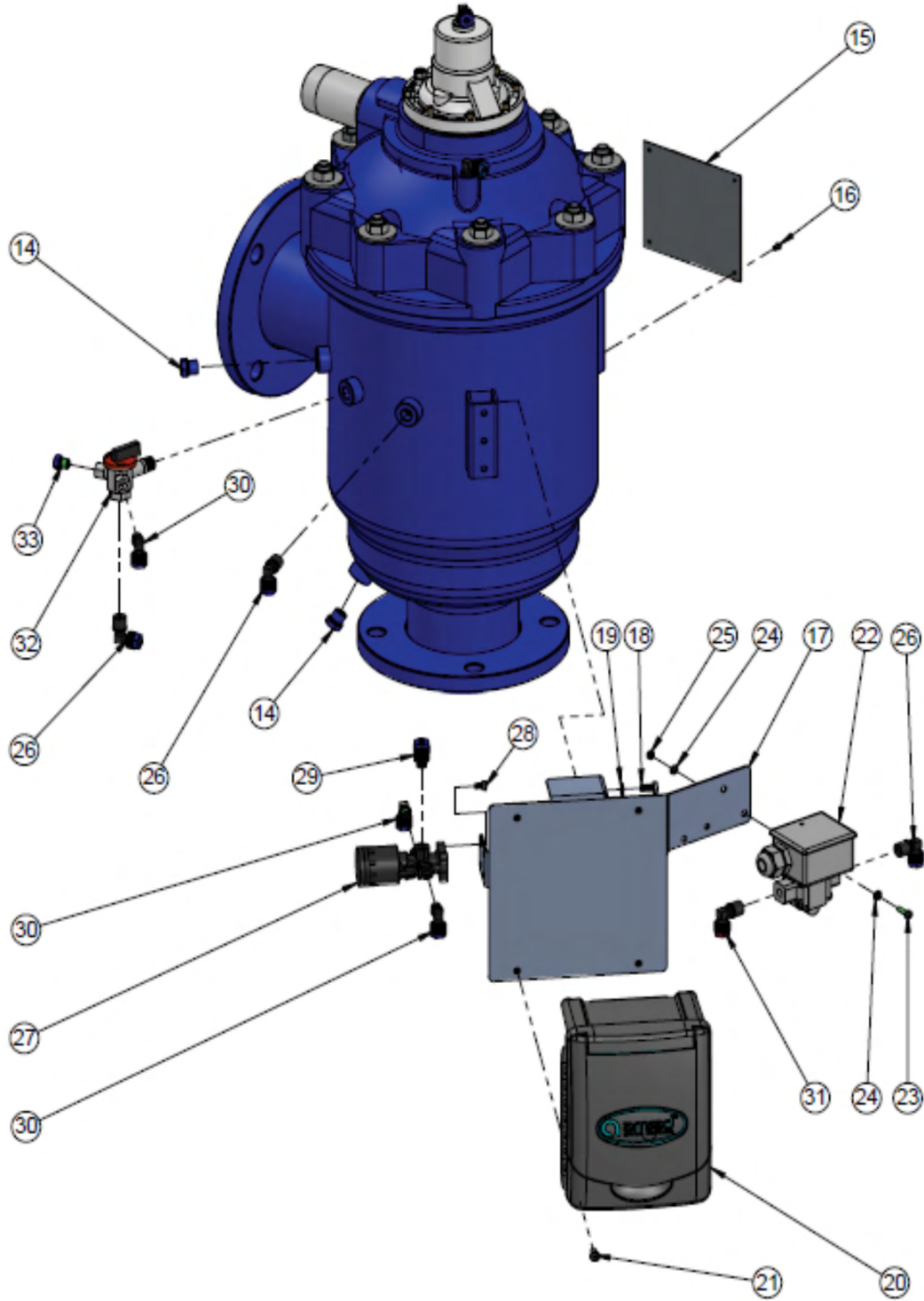
M100-1500 ELECTRONIC FILTER (M103CL, M104C)



M100-1500 ELECTRONIC FILTER (M103CL, M104C)

NO.	DESCRIPTION	SAP. CAT.NO.
1	Filter Housing M103CL NPT	710105-000498
1	Filter Housing M104C, ASA150, Carbon Steel	710105-000505
2	Hydraulic Lid Seal for M102C, M103C, M103CL, M104C, NBR	770104-000156
3	M103CL & M104C Molded Weavewire St/St 316 Screen, 1500SQ.CM. 50 micron, NBR Seal	700101-001676
	M103CL & M104C Molded Weavewire St/St 316 Screen, 1500SQ.CM. 80 micron, NBR Seal	700101-000629
	M103CL & M104C Molded Weavewire St/St 316 Screen, 1500SQ.CM. 100 micron, NBR Seal	700101-000630
	M103CL & M104C Molded Weavewire St/St 316 Screen, 1500SQ.CM. 130 micron, NBR Seal	700101-000631
	M103CL & M104C Molded Weavewire St/St 316 Screen, 1500SQ.CM. 200 micron, NBR Seal	700101-000632
	M103CL & M104C Molded Weavewire St/St 316 Screen, 1500SQ.CM. 300 micron, NBR Seal	700101-000633
	M103CL & M104C Molded Weavewire St/St 316 Screen, 1500SQ.CM. 500 micron, NBR Seal	700101-000634
3.1	Screen O-Ring 674, NBR	770102-000217
4	Dirt Collector Assembly Complete with 5 Nozzles M103CL, M104C	700190-001756
5	Phillips Flat Tap Screw No.8 3/4", Stainless Steel 316	760101-000508
6	Cover Assembly for M102C, M103C, M103CL, M104C	700190-001727
7	Stud Bolt Medium 1/2"UNC x 100MM, Stainless Steel 304	760104-000082
8	Stud Bolt Short 1/2"UNC x 92MM, Stainless Steel 304	760104-000081
9	Stud Bolt Long 1/2"UNC x 108MM, Stainless Steel 304	760104-000084
10	Flat Washer 1/2"UNC, Zinc Plated Carbon Steel	760103-000068
11	Hex Jam Nut 1/2"UNC, Stainless Steel 304	760102-000096
12	Hex Nut 1/2"UNC, Zinc Plated Carbon Steel	760102-000052
13	Fitting Nipple 1-1/2" x 105MM BSP/NPT, PVC	780101-000935

M100-1500 ELECTRONIC FILTER (M103CL, M104C)

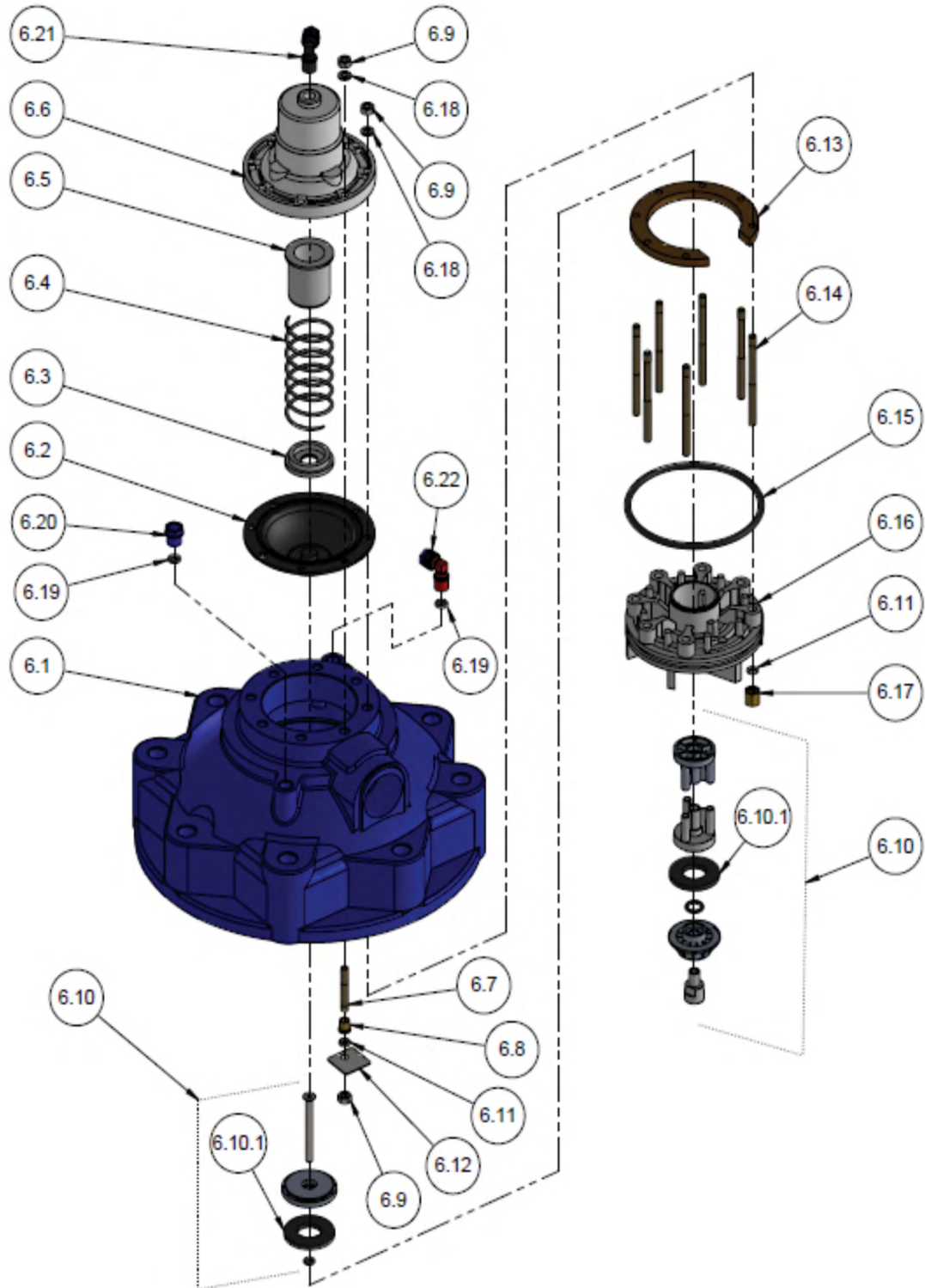


M100-1500 ELECTRONIC FILTER (M103CL, M104C)

NO.	DESCRIPTION	SAP. CAT.NO.
14	Plug 1/4"M, BSPT	720501-000190
15	Filtomat Nameplate, English	900103-000001
16	Blind Rivet 3MM x 6MM DIN7337, Stainless Steel 316	760105-000036
17	Sling for Amiad AMC Controller, M102C, M103C, M103CL, M104C	710105-004335
18	Hex Bolt Full Thread 1/4"UNC x 1/2", Stainless Steel 316	760101-000552
19	Spring Washer M6 DIN127, Stainless Steel 316	760103-000109
20	AMC-6 Electronic Controller Only 6/12V DC AMC-6 Electronic Controller Only 110V AC	720101-000477 720101-000554
21	Phillips Pan Machine Screw M5 x 12mm DIN7985, Stainless Steel 304	760101-000988
22	Midwest PD Switch 24-011	720104-000028
23	Phillips Pan Machine Screw M4 x 15MM DIN7985, Stainless Steel 304	760101-000510
24	Flat Washer M4 DIN125, Stainless Steel 304	760103-000092
25	Hex Nut M4 DIN934, Stainless Steel 304	760102-000083
26	L-Connector 1/4"M x 8MM BSPT*	720501-000229
27	12V DC Solenoid Latch Valve Body S982-2L 24V AC Solenoid 60HZ NC	720103-000308 700190-001817
28	Phillips Pan Machine Screw M5 x 8MM, Stainless Steel 304	760101-000530
29	Straight Connector 1/8" x 8MM BSPT*	720501-000212
30	L-Connector 1/8" M x 8MM BSPT*	720501-000245
31	L-Connector 1/4" M x 8MM BSPT*	720501-000198
32	SY-3 1/8" Valve, Brass	730104-000192
33	Fitting Plug 1/8" BSPT	720501-000197

*6MM part numbers and descriptions provided on F69 for older installations that were originally supplied with 6MM tubing and connectors.

M100-1500 ELECTRONIC FILTER (M103CL, M104C)

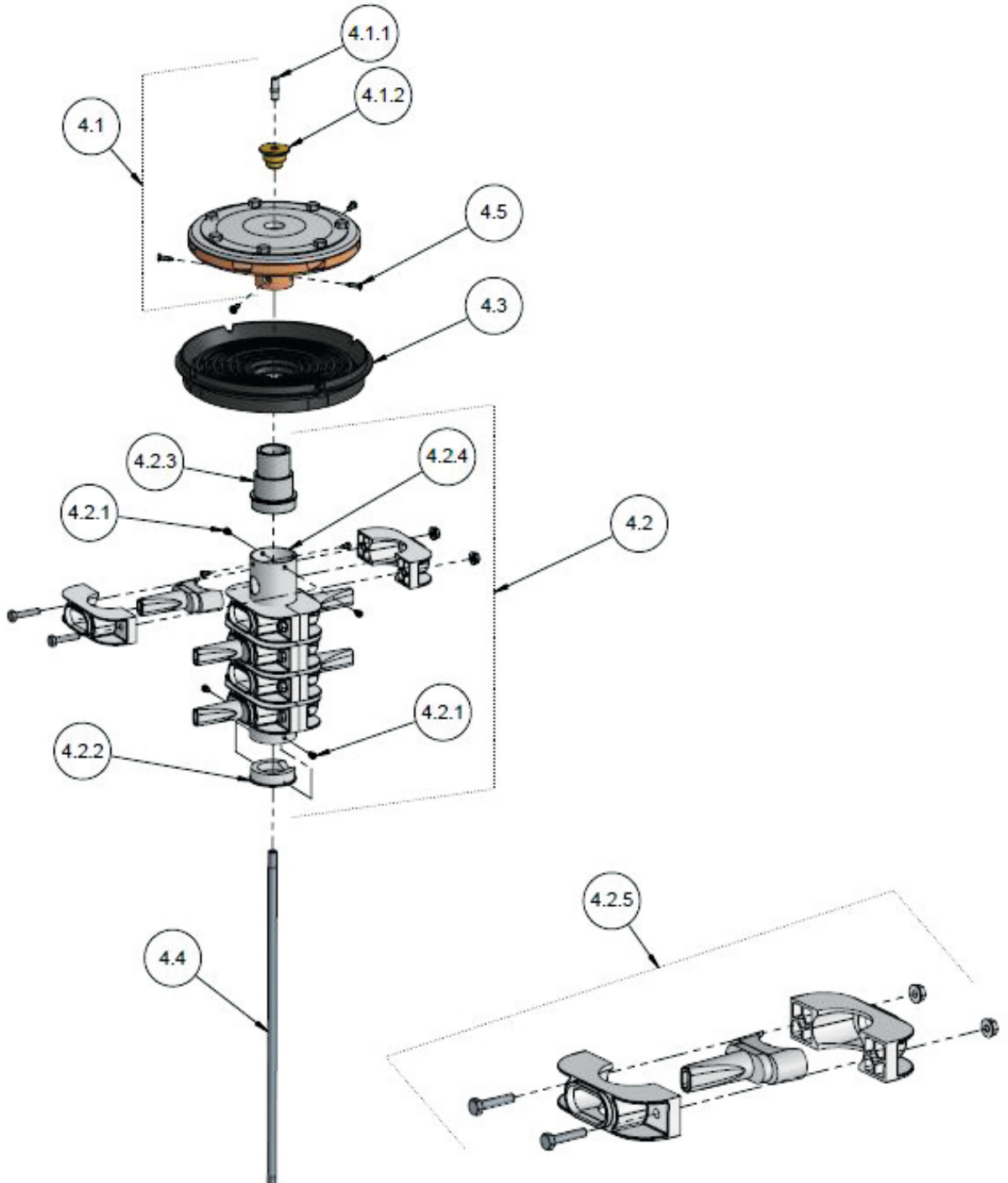


M100-1500 ELECTRONIC FILTER (M103CL, M104C)

NO.	DESCRIPTION	SAP. CAT.NO.
6	Cover Assembly for M102C, M103C, M103CL, M104C	700190-001727
6.1	Cover for M102C, M103C, M103CL, M104C	710103-000816
6.2	Diaphragm Seal for M102C, M103C, M103CL, M104C, NBR	770106-000028
6.3	Spring Guide for M102C, M103C, M103CL, M104C	710101-000703
6.4	Spring, Stainless Steel 302	760107-000070
6.5	Guide Spring Plug for M102C, M103C, M103CL, M104C	710101-000702
6.6	Diaphragm Cover for M102C, M103C, M103CL, M104C	710103-000984
6.7	Short Rod Tie for M102C, M103C, M103CL, M104C	710103-001083
6.8	Bushing for M102C, M103C, M103CL, M104C, Brass	710103-000896
6.9	Hex Nut 1/4"UNC, Stainless Steel 316	760102-000078
6.10	Exhaust Valve Assembly for M102C, M103C, M103CL, M104C	700190-001741
6.10.1	Shaped Seal for Valve for M102C, M103C, M103CL, M104C, NBR	770104-000133
6.11	O-Ring P2-107, NBR	770102-000079
6.12	Square Washer 30MM x 30MM, Stainless Steel 316	710103-001084
6.13	Rod Tie Support for M102C, M103C, M103CL, M104C, Brass	710103-001089
6.14	Long Rod Tie, Brass	710103-001097
6.15	O-Ring P2-351, NBR	770102-000156
6.16	Seat Valve for M102C, M103C, M103CL, M104C	710103-000990
6.17	Nut for M102C, M103C, M103CL, M104C, Brass	710103-001080
6.18	Flat Washer M6 DIN125, Stainless Steel 316	760103-000094
6.19	O-Ring 6MM x 3MM, NBR	770101-000042
6.20	Plug 1/4" M BSPT	720501-000190
6.21	L-Connector 1/4" M x 8MM BSPT*	720501-000198
6.22	L-Connector 1/4" M x 8MM BSPT*	720501-000198

*6MM part numbers and descriptions provided on F69 for older installations that were originally supplied with 6MM tubing and connectors.

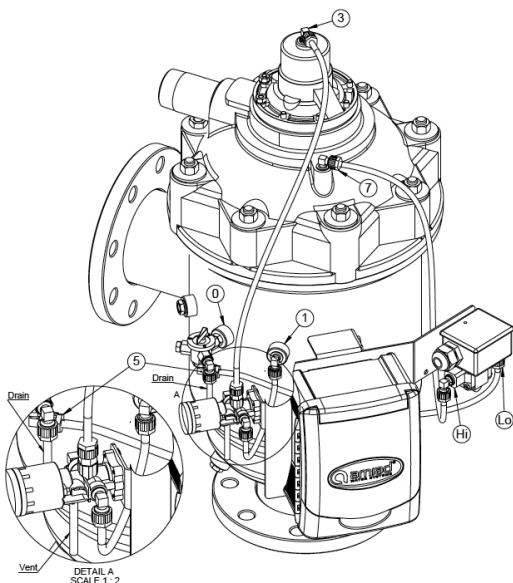
M100-1500 ELECTRONIC FILTER (M103CL, M104C)



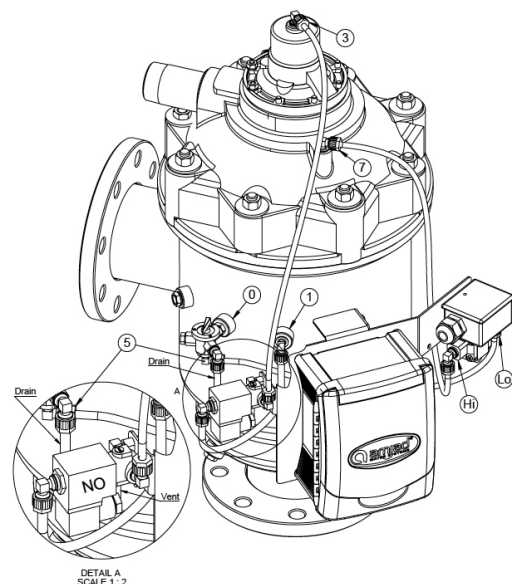
M100-1500 ELECTRONIC FILTER (M103CL, M104C)

NO.	DESCRIPTION	SAP. CAT.NO.
4	Dirt Collector Assembly Complete with 5 Nozzles M103CL, M104C	700190-001756
4.1	Rotor Assembly for M102C, M103C, M103CL, M104C	700190-001739
4.1.1	Lower Bearing Male for M102C, M103C, M103CL, M104C, Stainless Steel 316	710103-001349
4.1.2	Male Bearing Housing, Brass	710103-001088
4.2	Dirt Collector Sub Assembly 5 Nozzles M103C, M103CL, M104C	700190-001766
4.2.1	Phillips Pan Tap Screw No.8 x 3/8", Stainless Steel 316	760101-000688
4.2.2	Dirt Collector Bottom Plug, PVC	710103-001113
4.2.3	Dirt Collector Top Plug, PVC	710103-001096
4.2.4	Dirt Collector Body 52MM, Stainless Steel 316 M103CL, M104C	710103-001114
4.2.5	Suction Nozzle and Clamps 52MM for M103CL, M104C	700190-001609
4.3	Partition for M102C, M103C, M103CL, M104C	710103-000986
4.4	Dirt Collector Shaft M103CL, M104C, Stainless Steel 303	710103-001115
4.5	Phillips Flat Tap Screw No.8 5/8", Stainless Steel 304	760101-000689

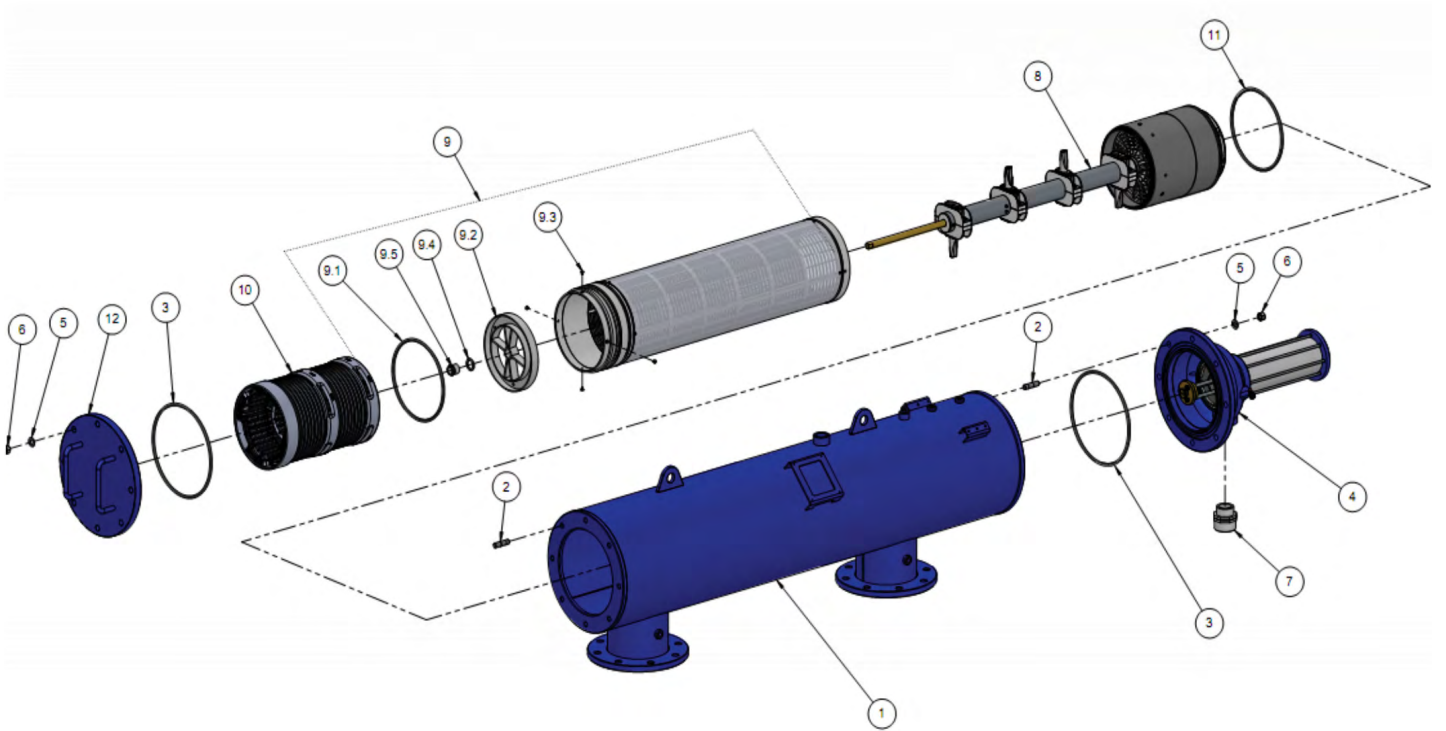
DC Model



AC Model



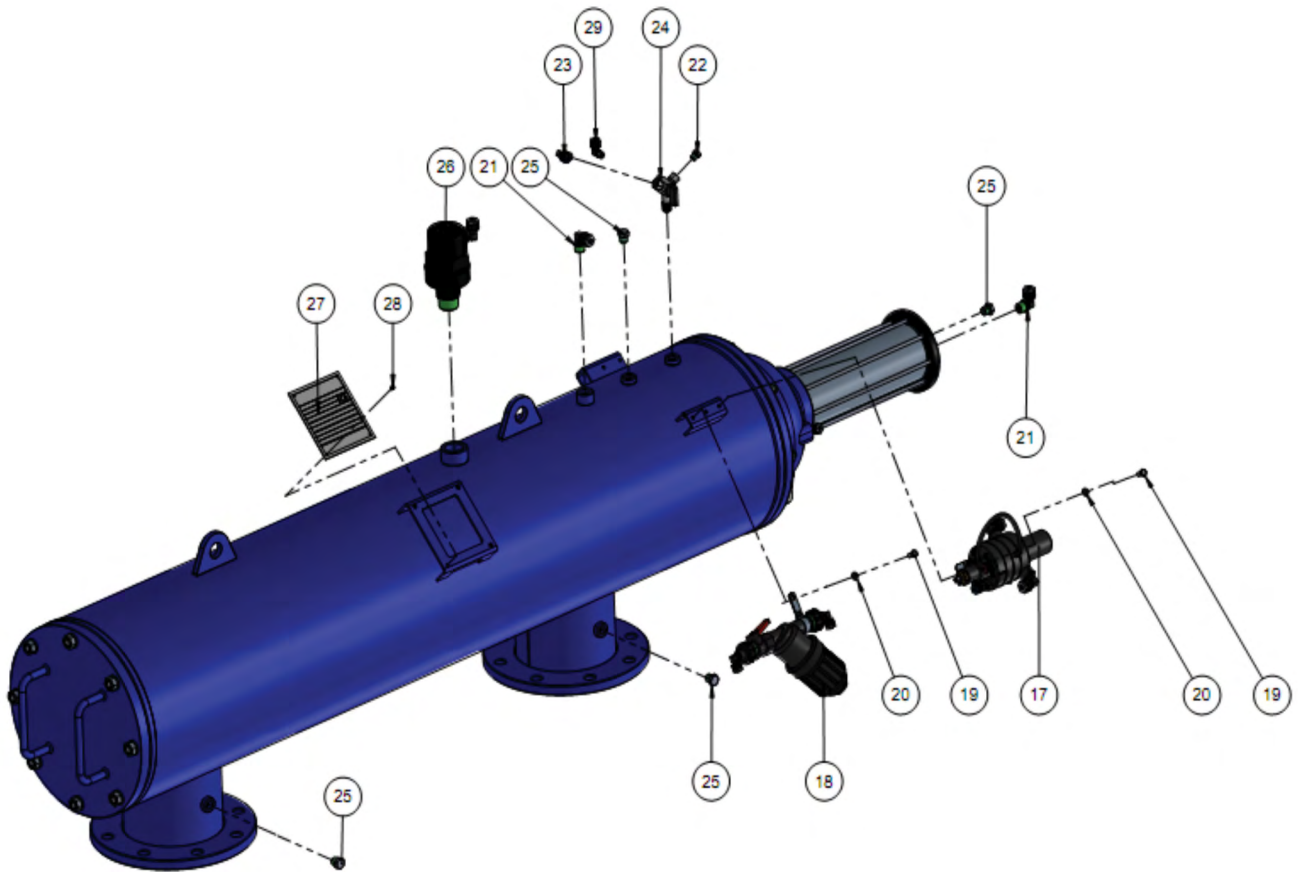
M100-4500 HYDRAULIC FILTER (M104LP, M104LPN, M106LP)



M100-4500 HYDRAULIC FILTER (M104LP, M104LPN, M106LP)

NO.	DESCRIPTION	SAP. CAT.NO.
1	Filter Housing M104LP, ASA150 Filter Housing M104LPN, ASA150 Filter Housing M106LP, ASA150	710105-000329 710105-004025 710105-000345
2	Stud Bolt 1/2"UNC x 50MM, Stainless Steel 303	760104-000075
3	Housing O-Ring P2-448, NBR	770102-000174
4	Cover Assembly Complete for M104LP through M110P, Cast-Iron	700190-001549
5	Flat Washer M12 DIN125, Zinc Plated Carbon Steel	760103-000077
6	Hex Nut 1/2"UNC, Zinc Plated Carbon Steel	760102-000052
7	Fitting Nipple 1-1/2" x 105MM BSP/NPT, PVC	780101-000935
8	Dirt Collector Assembly Complete with 4 Nozzles, Partition M104LP, M104LPN, M106LP	700190-001508
9	M104LP(N), M106LP Molded Weavewire St/St 316 Screen, 4500SQ.CM. 50 micron, NBR Seal M104LP(N), M106LP Molded Weavewire St/St 316 Screen, 4500SQ.CM. 80 micron, NBR Seal M104LP(N), M106LP Molded Weavewire St/St 316 Screen, 4500SQ.CM. 100 micron, NBR Seal M104LP(N), M106LP Molded Weavewire St/St 316 Screen, 4500SQ.CM. 130 micron, NBR Seal M104LP(N), M106LP Molded Weavewire St/St 316 Screen, 4500SQ.CM. 200 micron, NBR Seal M104LP(N), M106LP Molded Weavewire St/St 316 Screen, 4500SQ.CM. 300 micron, NBR Seal M104LP(N), M106LP Molded Weavewire St/St 316 Screen, 4500SQ.CM. 500 micron, NBR Seal	700101-001628 700101-000551 700101-000552 700101-000553 700101-000554 700101-000555 700101-000556
9.1	Screen O-Ring P2-674, NBR	770102-000217
9.2	M100 Screen Handle Type 1 for M104LP through M106XLP	710101-000716
9.3	Phillips Flat Machined Undercut Screw No.10 UNC x 5/16", Stainless Steel 304	760101-000498
9.4	Ring Spacer for Fine Screen/Bearing Assembly, Stainless Steel 316	710103-001369
9.5	Upper Bearing for Fine Screen, Stainless Steel 316	710103-001424
10	Coarse Screen Assembly M104LP Injected Coarse Screen Assembly M104LPN, M104XLP, M106LP, M106XLP	700101-000535 700190-004630
11	Screen O-Ring 674, NBR	770102-000217
12	Cover for M104LP through M110P	710105-000362

M100-4500 HYDRAULIC FILTER (M104LP, M104LPN, M106LP)

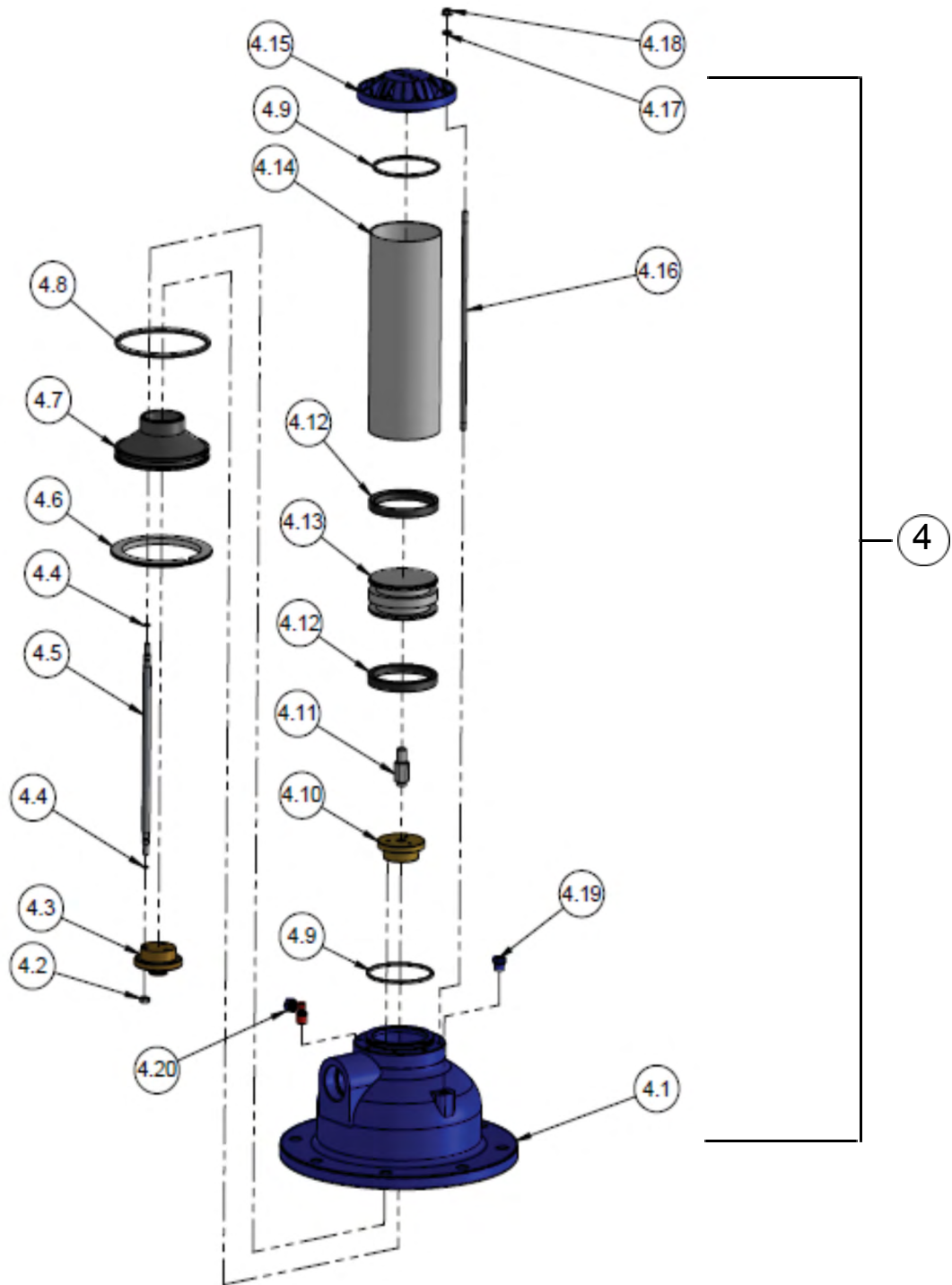


M100-4500 HYDRAULIC FILTER (M104LP, M104LPN, M106LP)

NO.	DESCRIPTION	SAP. CAT.NO.
17	Rinse Control Assembly Long M104LP, M104LPN, M106LP	700190-001520
18	Mini Filter Kit	700190-001584
19	Hex Bolt Full Thread 1/4"UNC x 1/2", Stainless Steel 316	760101-000552
20	Spring Washer M6 DIN127, Stainless Steel 316	760103-000109
21	L-Connector 3/8" M x 12MM	720501-000199
22	Fitting Plug 1/8" BSPT	720501-000197
23	L-Connector 1/8" M x 8MM BSPT	720501-000245
24	SY-3 1/8" Valve, Brass	730104-000192
25	Plug 1/4"M BSPT	720501-000190
26	ARI Air Release Valve 1" BSPT	730108-000120
27	Filtomat Nameplate, English	900103-000001
28	Blind Rivet 3MM x 6MM DIN7337, Stainless Steel 316	760105-000036
29	L-Connector 1/4"M x 8MM BSPT*	720501-000229

*6MM part numbers and descriptions provided on F69 for older installations that were originally supplied with 6MM tubing and connectors.

M100-4500 HYDRAULIC FILTER (M104LP, M104LPN, M106LP)

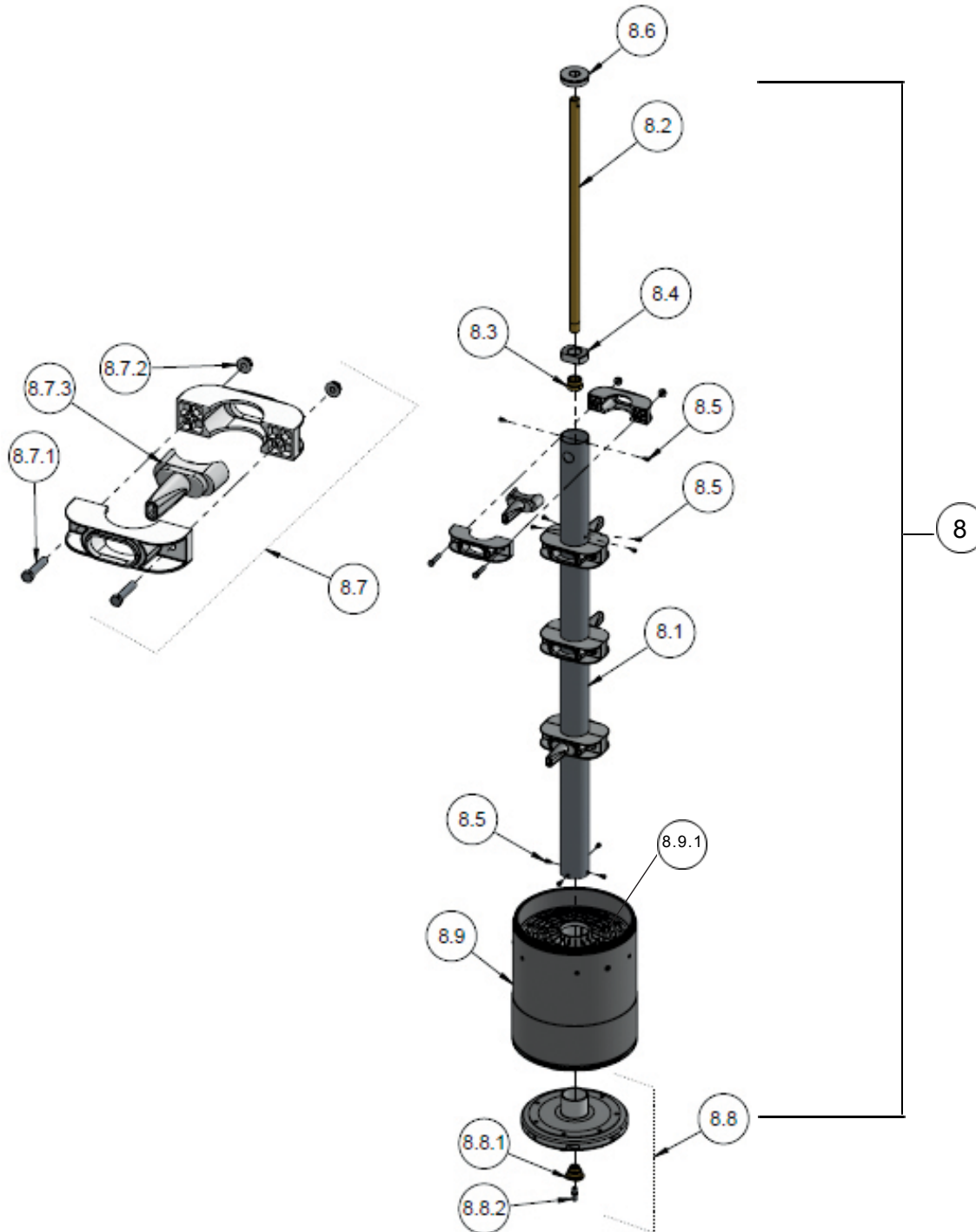


M100-4500 HYDRAULIC FILTER (M104LP, M104LPN, M106LP)

NO.	DESCRIPTION	SAP. CAT.NO.
4	Cover Assembly Complete for M104LP through M110P, Cast-Iron	700190-001549
4.1	Cover for M104LP through M110P, 8 Holes, Cast-Iron	710103-000819
4.2	Hex Nut 1/4"UNC, Stainless Steel 316 (complete assembly requires 3 qty)	760102-000078
4.3	Bearing Valve Combined Assembly, Brass	710104-000040
4.4	O-Ring P2-009, NBR (complete assembly requires 6 qty)	770102-000058
4.5	Spacer Bolt, Stainless Steel 303 (complete assembly requires 3 qty)	710103-000895
4.6	Retaining Ring Seal, PVC	710103-000902
4.7	Seat Valve Seal, Delrin (for use with Cast-Iron Cover)	710103-000901
4.8	O-Ring P2-351, NBR	770102-000156
4.9	O-Ring P2-237, Natural (complete assembly requires 2 qty)	770102-000126
4.10	Valve Seat, Brass Rubber-Lined	710104-000039
4.11	Piston Rod for M104LP through M110P, Stainless Steel 316	710103-000869
4.12	U-Ring Seal 95MM x 75MM x 10MM, NBR (complete assembly requires 2 qty)	770105-000019
4.13	Holder Cylinder Seal, Delrin	710103-000900
4.14	Cylinder for M1004LP through M110P, Stainless Steel 316	710103-000843
4.15	Plug for M104LP through M110P	710103-000799
4.16	Tie Rod for Cover Assembly, Stainless Steel 303 (complete assembly requires 8 qty)	710103-000903
4.17	Flat Washer M6 DIN125, Stainless Steel 316 (complete assembly requires 8 qty)	760103-000094
4.18	Nylon Insert Locking Nut 1/4"UNC DIN985, Stainless Steel 316 (complete assembly requires 8 qty)	760102-000097
4.19	Plug 1/4"M BSPT (complete assembly requires 2 qty)	720501-000190
4.20	L-Connector 1/4"M x 8MM BSPT*	720501-000908

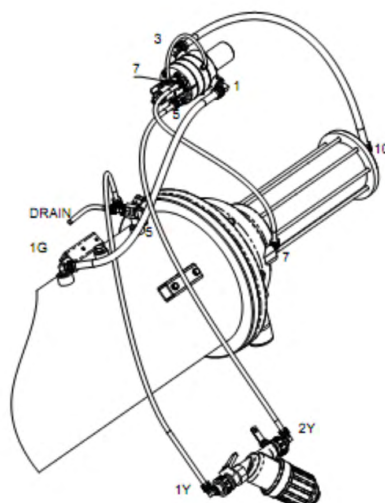
*6MM part numbers and descriptions provided on F69 for older installations that were originally supplied with 6MM tubing and connectors.

M100-4500 HYDRAULIC FILTER (M104LP, M104LPN, M106LP)

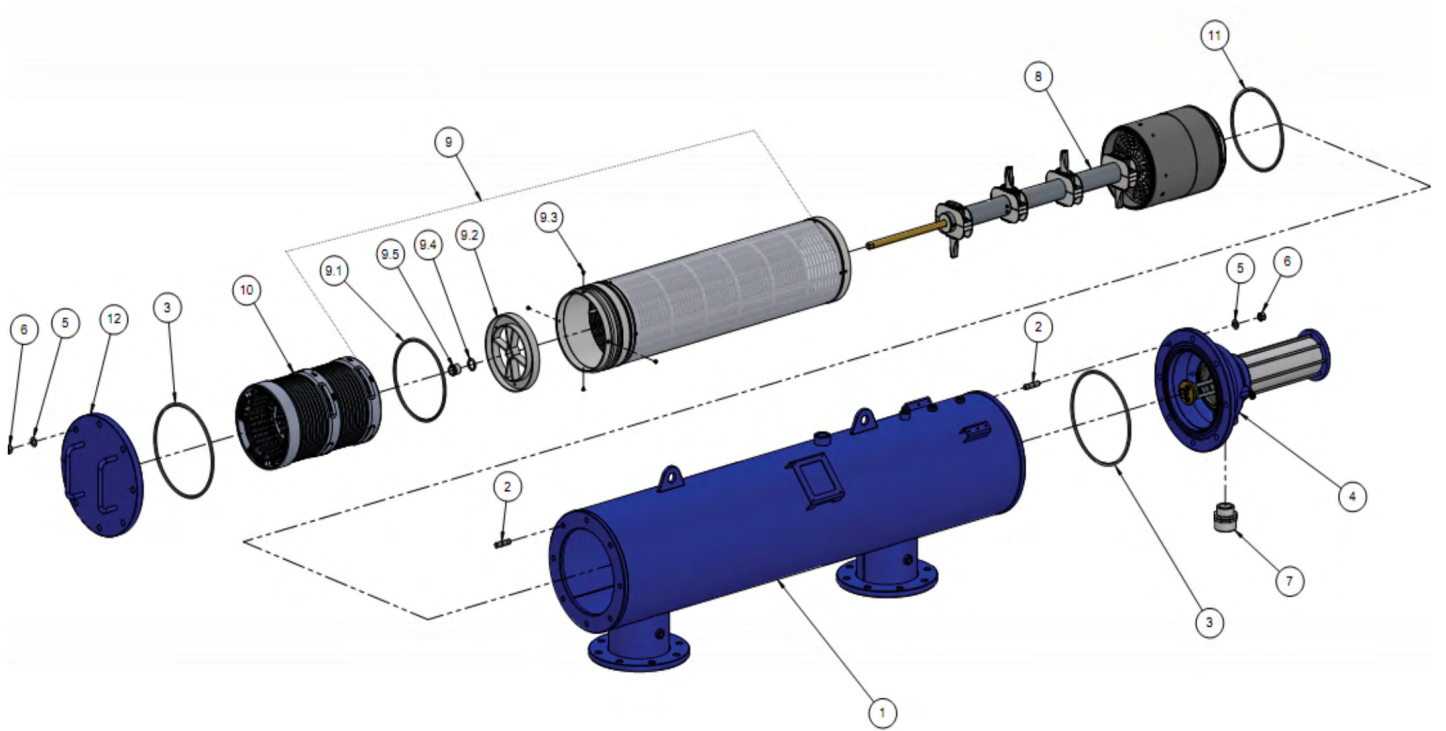


M100-4500 HYDRAULIC FILTER (M104LP, M104LPN, M106LP)

NO.	DESCRIPTION	SAP. CAT.NO.
8	Dirt Collector Assembly Complete with 4 Nozzles for M104LP, M104LPN, M106LP	700190-001508
8.1	Dirt Collector Body, Stainless Steel 304	710103-001103
8.2	Dirt Collector Shaft for M104LP through M110P, Brass	710103-001483
8.3	Dirt Collector/Shaft Connector for M104LP through M110P, Brass	710103-001490
8.4	Dirt Collector Central Support	710103-000800
8.5	Phillips Pan Tap Screw No.8 x 3/8", Stainless Steel 316	760101-000688
8.6	Dirt Collector Top Plug	710103-000802
8.7	Nozzle Suction and Clamps 52MM for M104LP, M104LPN, M106LP	700190-001609
8.7.1	Hex Bolt Partial Thread 1/4"UNC x 1-1/4", Stainless Steel 304 (complete assembly requires 8 qty)	760101-000417
8.7.2	Nylon Insert Locking Nut 1/4"UNC DIN985, Stainless Steel 316 (complete assembly requires 8 qty)	760102-000097
8.7.3	Suction Nozzle Only (complete assembly requires 4 qty)	710101-000704
8.8	Rotor Assembly for M104LP through M110P	710103-000989
8.8.1	Male Bearing Housing, Brass	710103-001088
8.8.2	Lower Bearing, Stainless Steel 303	710103-001333
8.9	Flushing Chamber for M104LP through M110P	700190-001538
8.9.1	Partition Disc (Black) for M104LP through M110P	710103-000798



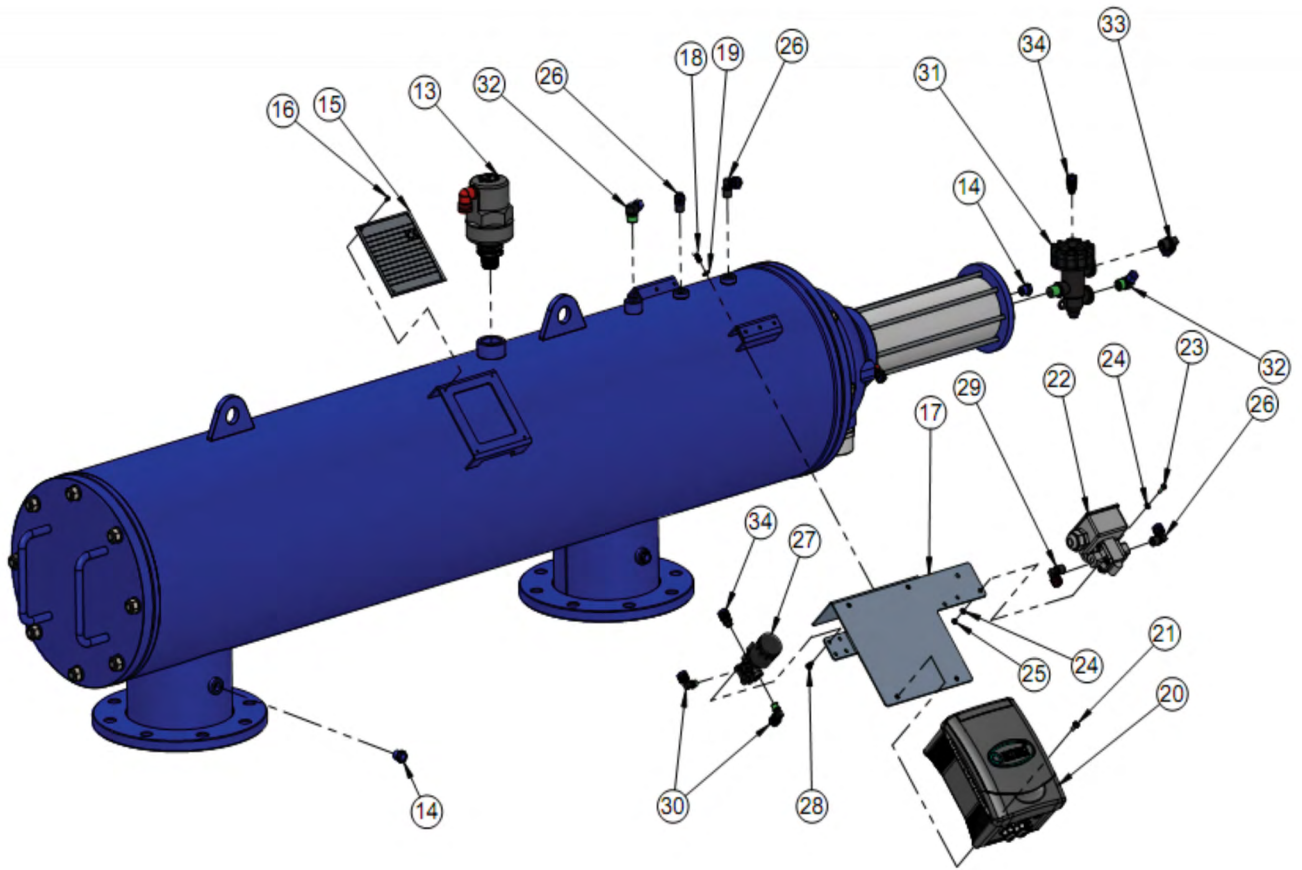
M100-4500 ELECTRONIC FILTER (M104LP, M104LPN, M106LP)



M100-4500 ELECTRONIC FILTER (M104LP, M104LPN, M106LP)

NO.	DESCRIPTION	SAP. CAT.NO.
1	Filter Housing M104LP, ASA150 Filter Housing M104LPN, ASA150 Filter Housing M106LP, ASA150	710105-000329 710105-004025 710105-000345
2	Stud Bolt 1/2"UNC x 50MM, Stainless Steel 303	760104-000075
3	Housing O-Ring P2-448, NBR	770102-000174
4	Cover Assembly Complete for M104LP through M110P, Cast-Iron	700190-001549
5	Flat Washer M12 DIN125, Zinc Plated Carbon Steel	760103-000077
6	Hex Nut 1/2"UNC, Zinc Plated Carbon Steel	760102-000052
7	Fitting Nipple 1-1/2" x 105MM BSP/NPT, PVC	780101-000935
8	Dirt Collector Assembly Complete with 4 Nozzles, Partition M104LP, M104LPN, M106LP	700190-001508
9	M104LP(N), M106LP Molded Weavewire St/St 316 Screen, 4500SQ.CM. 50 micron, NBR Seal	700101-001628
	M104LP(N), M106LP Molded Weavewire St/St 316 Screen, 4500SQ.CM. 80 micron, NBR Seal	700101-000551
	M104LP(N), M106LP Molded Weavewire St/St 316 Screen, 4500SQ.CM. 100 micron, NBR Seal	700101-000552
	M104LP(N), M106LP Molded Weavewire St/St 316 Screen, 4500SQ.CM. 130 micron, NBR Seal	700101-000553
	M104LP(N), M106LP Molded Weavewire St/St 316 Screen, 4500SQ.CM. 200 micron, NBR Seal	700101-000554
	M104LP(N), M106LP Molded Weavewire St/St 316 Screen, 4500SQ.CM. 300 micron, NBR Seal	700101-000555
M104LP(N), M106LP Molded Weavewire St/St 316 Screen, 4500SQ.CM. 500 micron, NBR Seal	700101-000556	
9.1	Screen O-Ring 674, NBR	770102-000217
9.2	M100 Screen Handle Type 1 for M104LP through M106XLP	710101-000716
9.3	Phillips Flat Machined Undercut Screw No.10 UNC x 5/16", Stainless Steel 304	760101-000498
9.4	Ring Spacer for Fine Screen/Bearing Assembly, Stainless Steel 316	710103-001369
9.5	Upper Bearing for Fine Screen, Stainless Steel 316	710103-001424
10	Coarse Screen Assembly M104LP	700101-000535
	Injected Coarse Screen Assembly M104LPN, M104XLP, M106LP, M106XLP	700190-004630
11	Screen O-Ring 674, NBR	770102-000217
12	Cover for M104LP through M110P	710105-000362

M100-4500 ELECTRONIC FILTER (M104LP, M104LPN, M106LP)

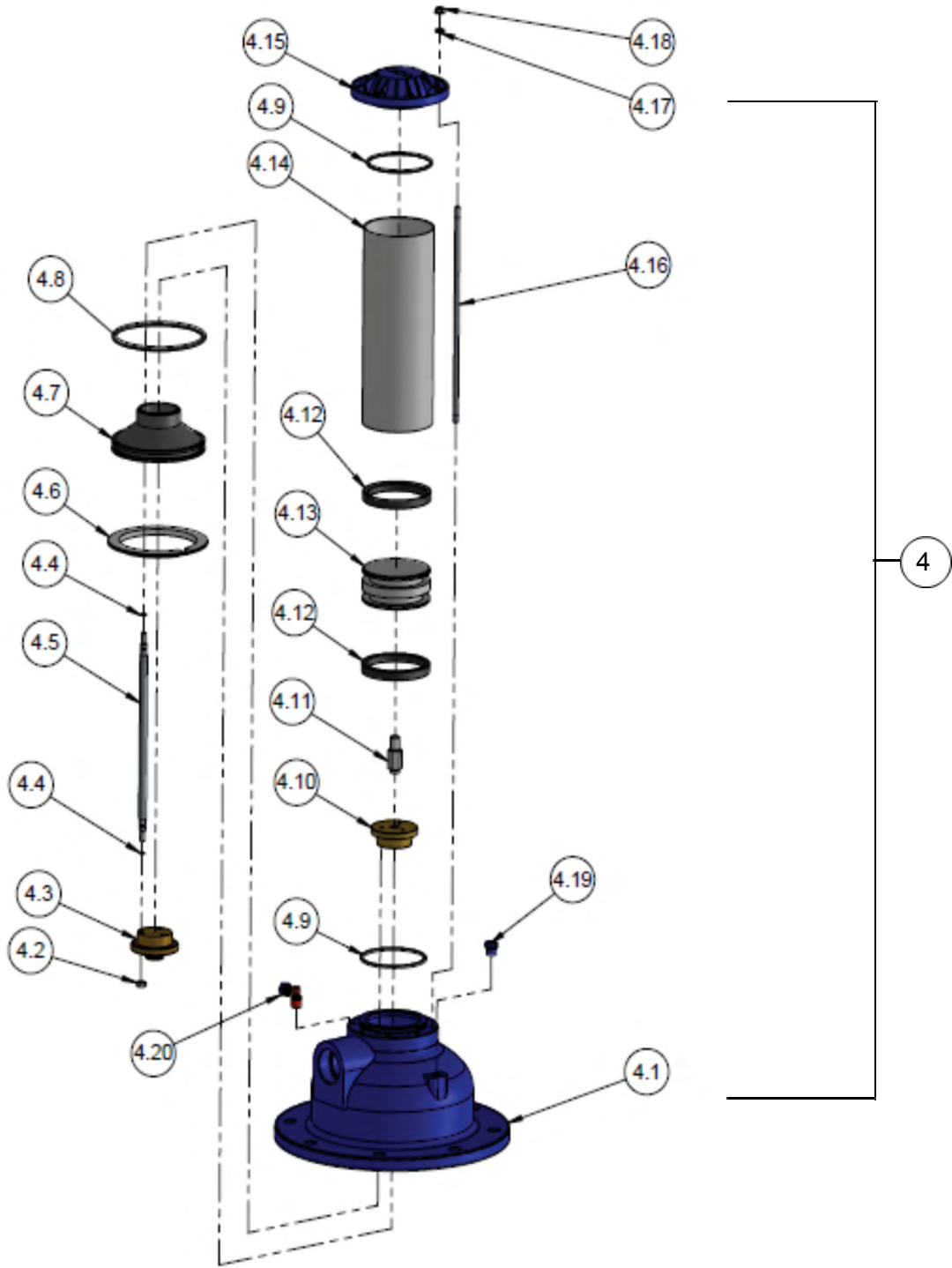


M100-4500 ELECTRONIC FILTER (M104LP, M104LPN, M106LP)

NO.	DESCRIPTION	SAP. CAT.NO.
13	ARI Air Release Valve 1" BSPT	730108-000120
14	Plug 1/4"M BSPT	720501-000190
15	Filtomat Nameplate, English	900103-000001
16	Blind Rivet 3MM x 6MM DIN7337, Stainless Steel 316	760105-000036
17	Sling for Amiad AMC Controller for M104LP through M110P	710105-004336
18	Hex Bolt Full Thread 1/4"UNC x 1/2", Stainless Steel 316	760101-000552
19	Spring Washer M6 DIN127, Stainless Steel 316	760103-000109
20	AMC-6 Electronic Controller Only 6/12V DC AMC-6 Electronic Controller Only 110V AC	720101-000477 720101-000554
21	Phillips Pan Machine Screw M5 x 12mm DIN7985, Stainless Steel 304	760101-000988
22	Midwest PD Switch 24-011	720104-000028
23	Phillips Pan Machine Screw M4 x 15MM DIN7985, Stainless Steel 304	760101-000510
24	Flat Washer M4 DIN125, Stainless Steel 304	760103-000092
25	Hex Nut M4 DIN934, Stainless Steel 304	760102-000083
26	Straight Connector 1/8"M x 8MM	720501-000212
27	12V DC Solenoid Latch Valve Body S982-2L 24V AC Solenoid 60HZ NC	720103-000308 700190-001817
28	Phillips Pan Machine Screw M5 x 16MM, Stainless Steel 304	760101-000531
29	Straight Connector 1/8"M x 8MM	720501-000212
30	L-Connector 1/8"M x 8MM for use with DC Solenoid L-Connector 1/8"M x 8MM for use with AC Solenoid	720501-000191 720501-000198
31	3/8" Dorot Plastic Accelerator	730110-000009
32	L-Connector 3/8"M x 12MM	720501-000199
33	L-Connector 3/8"M x 8MM*	720501-000605
34	L-Connector 1/8"M x 8MM*	720501-000191

*6MM part numbers and descriptions provided on F69 for older installations that were originally supplied with 6MM tubing and connectors.

M100-4500 ELECTRONIC FILTER (M104LP, M104LPN, M106LP)

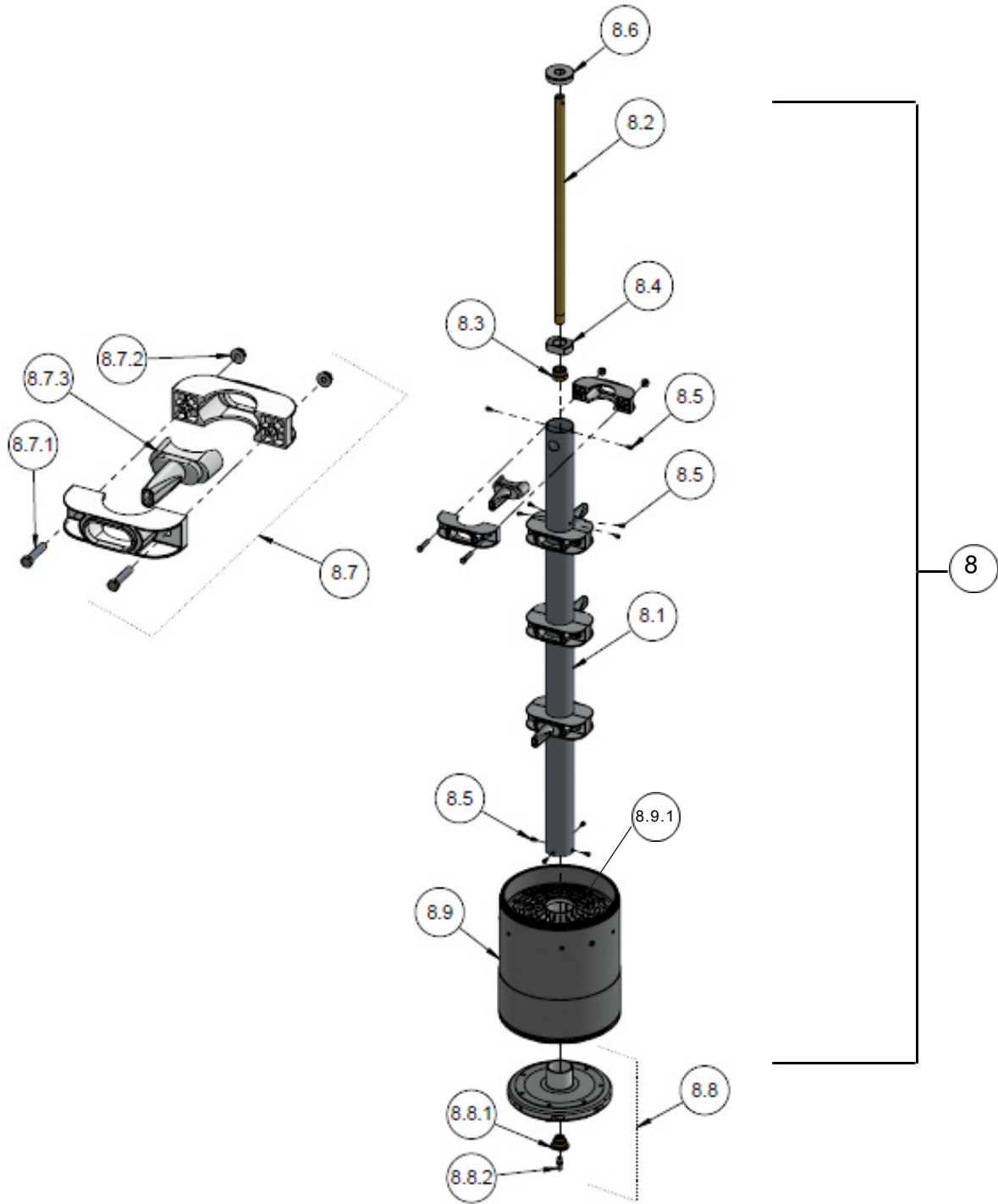


M100-4500 ELECTRONIC FILTER (M104LP, M104LPN, M106LP)

NO.	DESCRIPTION	SAP. CAT.NO.
4	Cover Assembly Complete for M104LP through M110P, Cast-Iron	700190-001549
4.1	Cover for M104LP through M110P, 8 Holes, Cast-Iron	710103-000819
4.2	Hex Nut 1/4"UNC, Stainless Steel 316 (complete assembly requires 3 qty)	760102-000078
4.3	Bearing Valve Combined Assembly, Brass	710104-000040
4.4	O-Ring P2-009, NBR (complete assembly requires 6 qty)	770102-000058
4.5	Spacer Bolt, Stainless Steel 303 (complete assembly requires 3 qty)	710103-000895
4.6	Retaining Ring Seal, PVC	710103-000902
4.7	Seat Valve Seal, Delrin (for use with Cast-Iron Cover)	710103-000901
4.8	O-Ring P2-351, NBR	770102-000156
4.9	O-Ring P2-237, Natural (complete assembly requires 2 qty)	770102-000126
4.10	Valve Seat, Brass Rubber-Lined	710104-000039
4.11	Piston Rod for M104LP through M110P, Stainless Steel 316	710103-000869
4.12	U-Ring Seal 95MM x 75MM x 10MM, NBR (complete assembly requires 2 qty)	770105-000019
4.13	Holder Cylinder Seal, Delrin	710103-000900
4.14	Cylinder for M104LP through M110P, Stainless Steel 316	710103-000843
4.15	Plug for M104LP through M110P	710103-000799
4.16	Tie Rod for Cover Assembly, Stainless Steel 303 (complete assembly requires 8 qty)	710103-000903
4.17	Flat Washer M6 DIN125, Stainless Steel 316 (complete assembly requires 8 qty)	760103-000094
4.18	Nylon Insert Locking Nut 1/4"UNC DIN985, Stainless Steel 316 (complete assembly requires 8 qty)	760102-000097
4.19	Plug 1/4"M BSPT (complete assembly requires 2 qty)	720501-000190
4.20	L-Connector 1/4"M x 8MM BSPT*	720501-000908

*6MM part numbers and descriptions provided on F69 for older installations that were originally supplied with 6MM tubing and connectors.

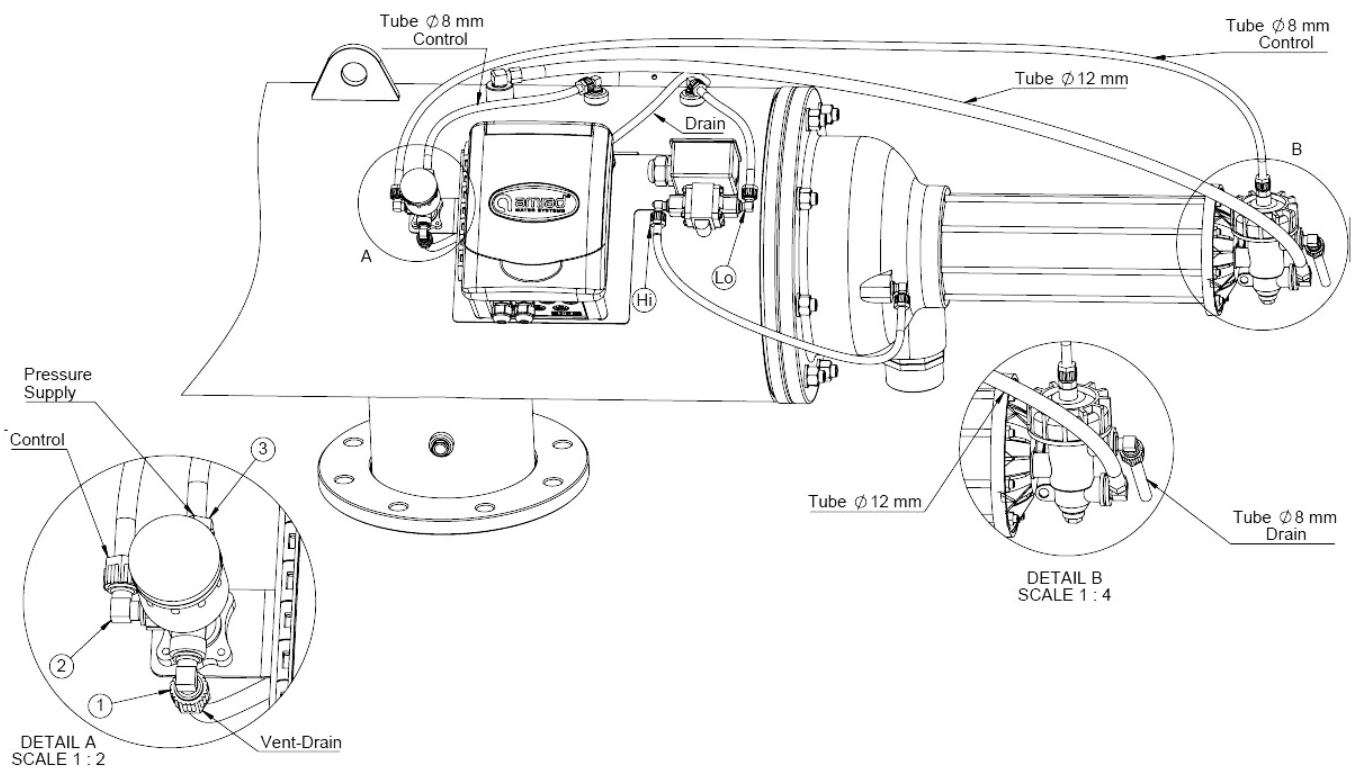
M100-4500 ELECTRONIC FILTER (M104LP, M104LPN, M106LP)



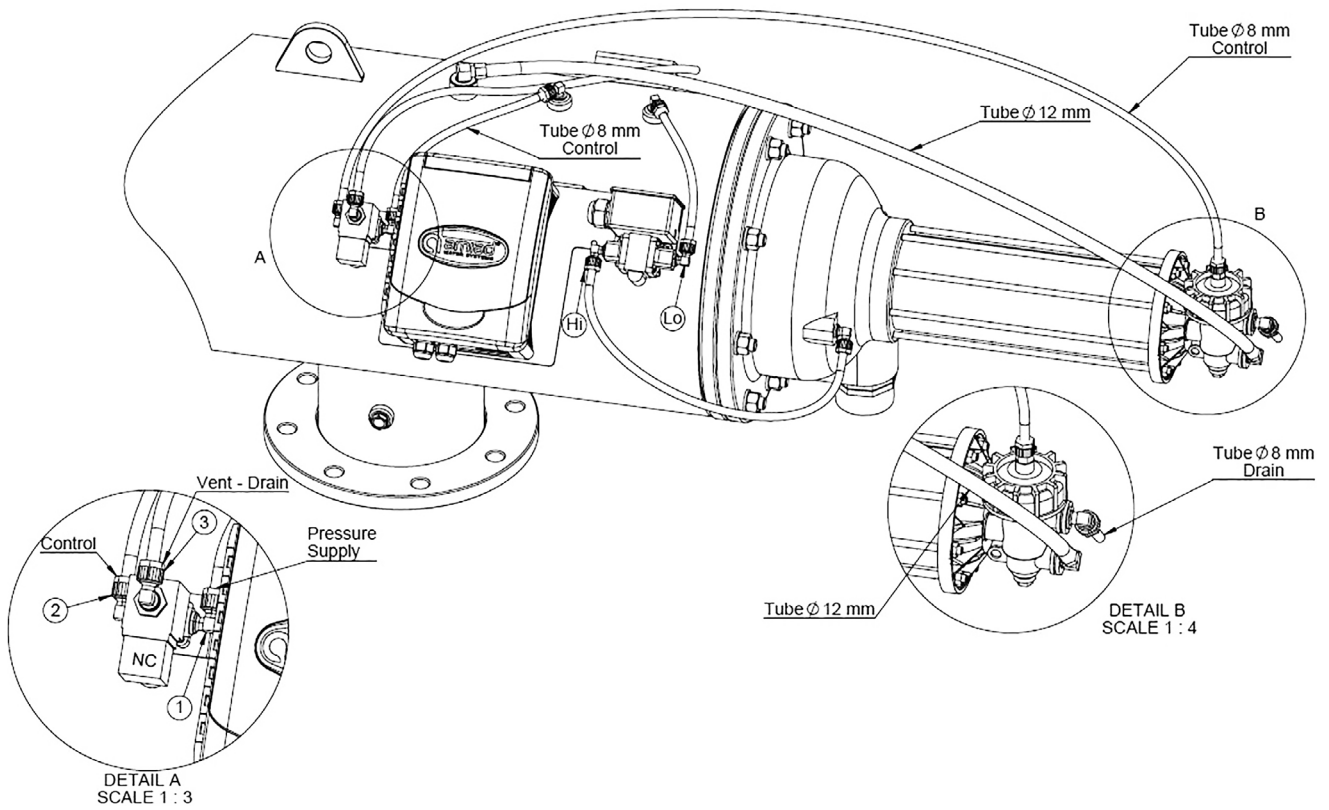
M100-4500 ELECTRONIC FILTER (M104LP, M104LPN, M106LP)

NO.	DESCRIPTION	SAP. CAT.NO.
8	Dirt Collector Assembly Complete with 4 Nozzles for M104LP, M104LPN, M106LP	700190-001508
8.1	Dirt Collector Body, Stainless Steel 304	710103-001103
8.2	Dirt Collector Shaft for M104LP through M110P, Brass	710103-001483
8.3	Dirt Collector/Shaft Connector for M104LP through M110P, Brass	710103-001490
8.4	Dirt Collector Central Support	710103-000800
8.5	Phillips Pan Tap Screw No.8 x 3/8", Stainless Steel 316	760101-000688
8.6	Dirt Collector Top Plug	710103-000802
8.7	Nozzle Suction and Clamps 52MM for M104LP, M104LPN, M106LP	700190-001609
8.7.1	Hex Bolt Partial Thread 1/4"UNC x 1-1/4", Stainless Steel 304 (complete assembly requires 8 qty)	760101-000417
8.7.2	Nylon Insert Locking Nut 1/4"UNC DIN985, Stainless Steel 316 (complete assembly requires 8 qty)	760102-000097
8.7.3	Suction Nozzle Only (complete assembly requires 4 qty)	710101-000704
8.8	Rotor Assembly for M104LP through M110P	710103-000989
8.8.1	Male Bearing Housing, Brass	710103-001088
8.8.2	Lower Bearing, Stainless Steel 303	710103-001333
8.9	Flushing Chamber Assembly for M104LP through M110P	700190-001538
8.9.1	Partition Disc (Black) for M104LP through M110P	710103-000798

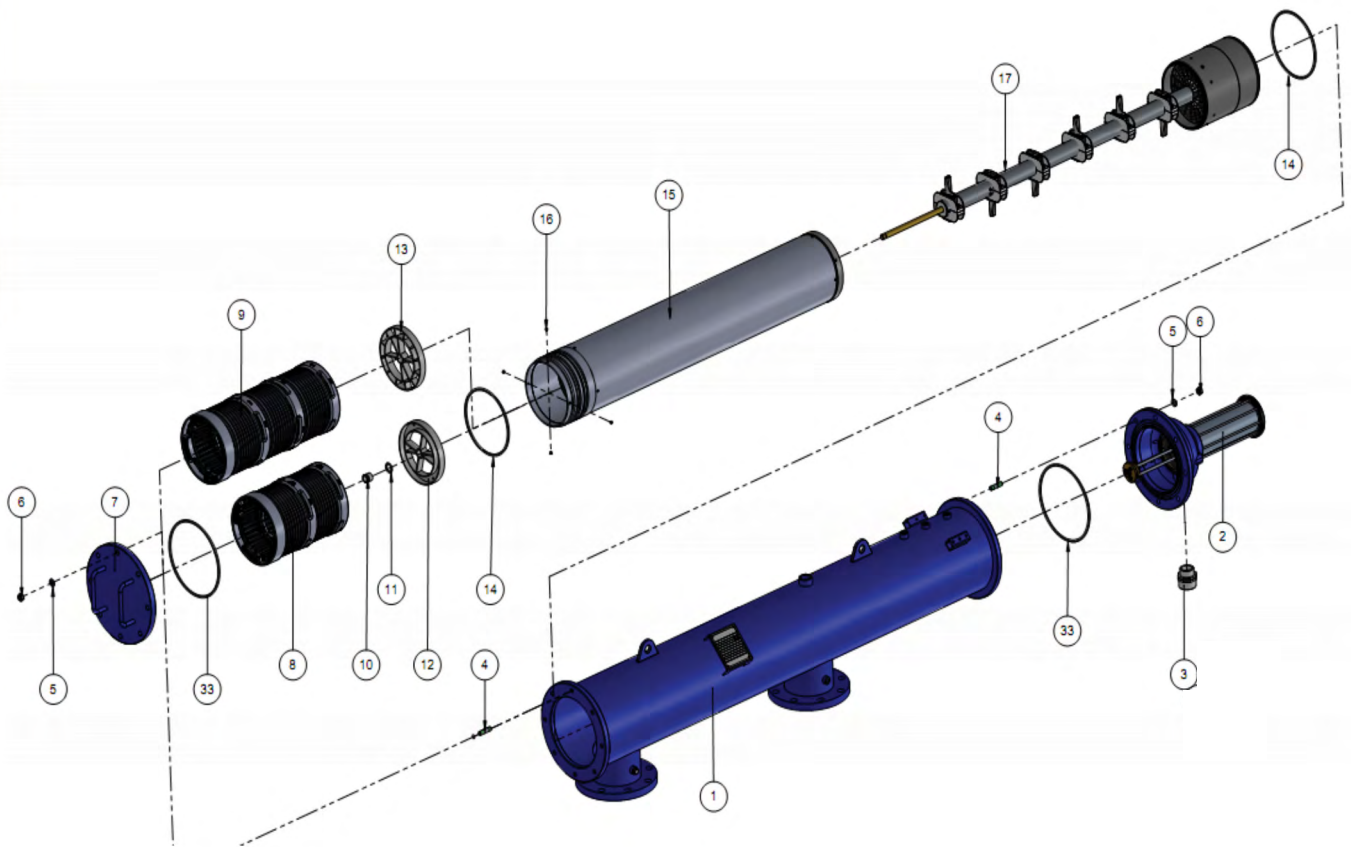
M100-4500 ELECTRONIC DC TUBING (M104LP, M104LPN, M106LP)



M100-4500 ELECTRONIC AC TUBING (M104LP, M104LPN, M106LP)



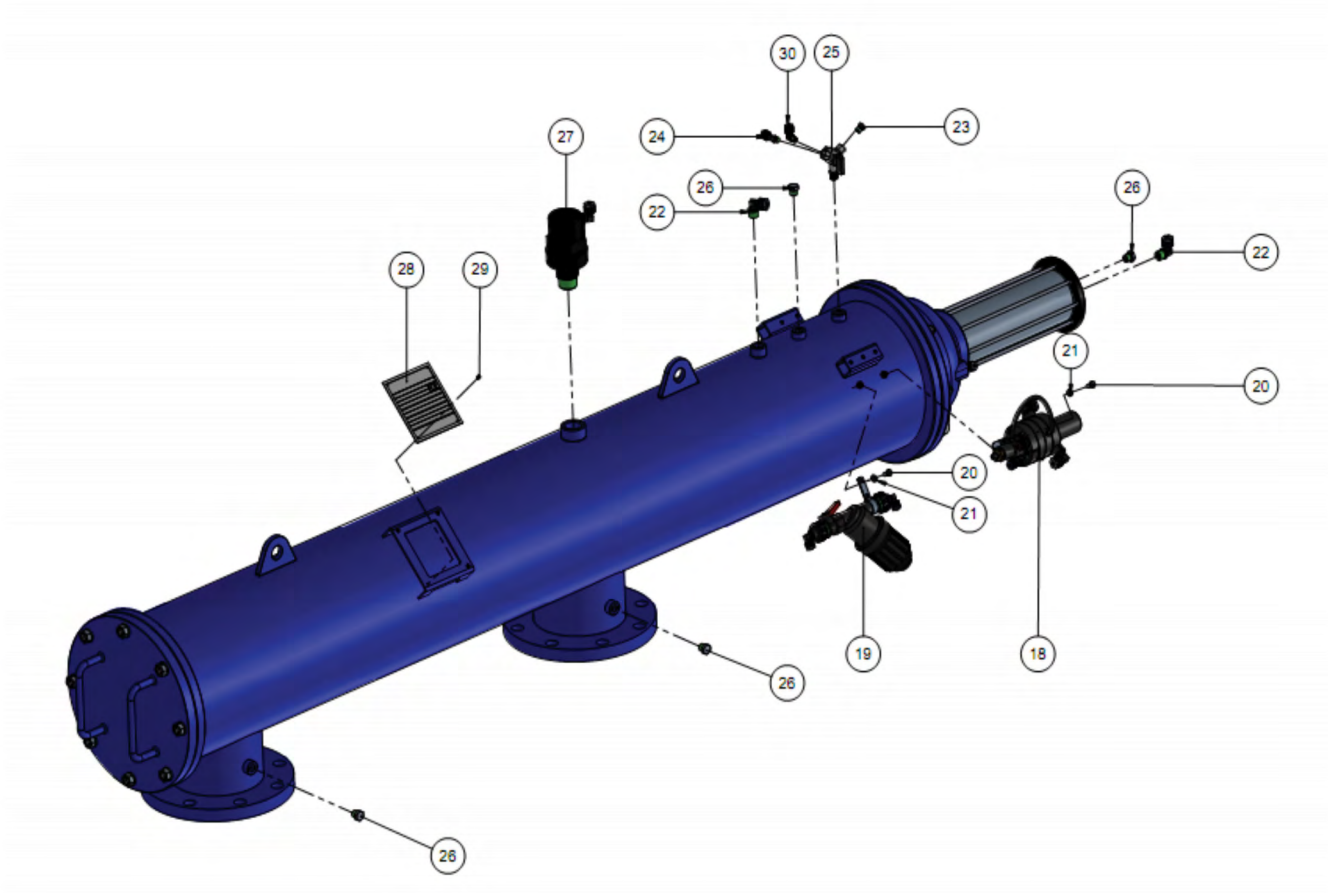
M100-6800 HYDRAULIC FILTER (M104XLP, M106XLP, M108LP, M110P)



M100-6800 HYDRAULIC FILTER (M104XLP, M106XLP, M108LP, M110P)

NO.	DESCRIPTION	SAP. CAT.NO.
1	Filter Housing M104XLP, ASA150	710105-000405
1	Filter Housing M106XLP, ASA150	710105-000412
1	Filter Housing M108LP, ASA150	710105-000433
1	Filter Housing M110P, ASA150	710105-000445
2	Cover Assembly Complete for M104LP through M110P, Cast-Iron	700190-001549
3	Fitting Nipple 1-1/2" x 105MM BSP/NPT, PVC	780101-000935
4	Stud Bolt 1/2"UNC x 50MM, Stainless Steel 303	760104-000075
5	Flat Washer M12 DIN125, Zinc Plated Carbon Steel	760103-000077
6	Hex Nut 1/2"UNC, Zinc Plated Carbon Steel	760102-000052
7	Cover for M104LP through M110P	710105-000362
8	Injected Coarse Screen Assembly M104LPN, M104XLP, M106LP, M106XLP	700190-004630
9	Injected Coarse Screen Assembly M108LP, M110P	700190-004629
10	Upper Bearing for Fine Screen, Stainless Steel 316	710103-001424
11	Ring Spacer for Fine Screen/Bearing Assembly, Stainless Steel 316	710103-001369
12	M100 Screen Handle Type 1 for M104LP through M106XLP	710101-000716
13	M100 Screen Handle Type 2 for M108LP, M110P	710101-000717
14	Screen O-Ring 674, NBR	770102-000217
15	Molded Stainless Steel Screen Assembly	See Page F69
16	Phillips Flat Machined Undercut Screw No.10 UNC x 5/16", Stainless Steel 304	760101-000498
17	Dirt Collector Assembly Complete with 6 Nozzles for M104XLP through M110P	700190-001670
33	Housing O-Ring P2-448, NBR	770102-000174

M100-6800 HYDRAULIC FILTER (M104XLP, M106XLP, M108LP, M110P)

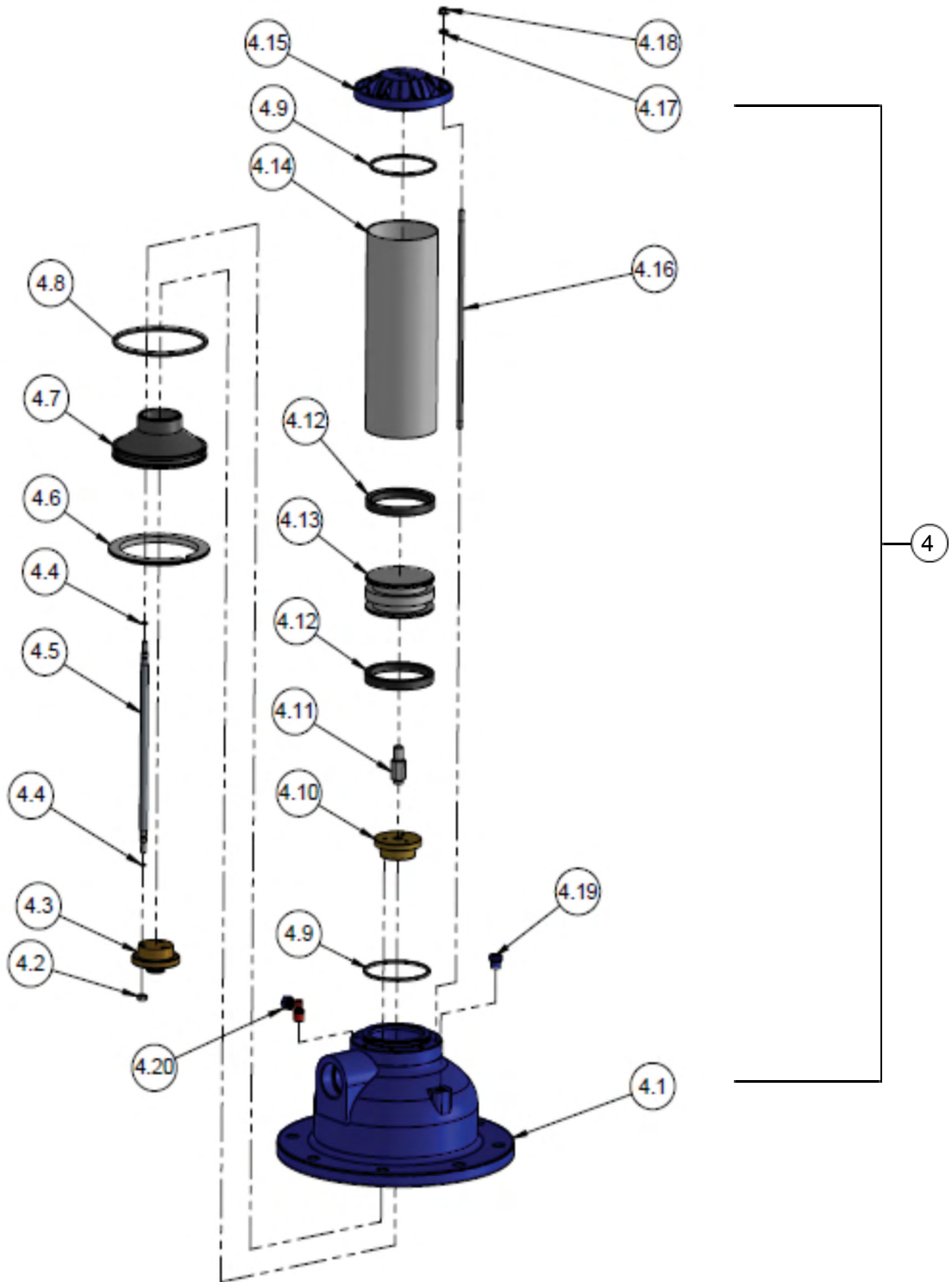


M100-6800 HYDRAULIC FILTER (M104XLP, M106XLP, M108LP, M110P)

NO.	DESCRIPTION	SAP. CAT.NO.
18	Rinse Control Assembly Long M104LP through M110P	700190-001520
19	Mini Filter Kit	700190-001584
20	Hex Bolt Full Thread 1/4"UNC x 1/2", Stainless Steel 316	760101-000552
21	Spring Washer M6 DIN127, Stainless Steel 316	760103-000109
22	L-Connector 3/8"M x 12MM	720501-000199
23	Fitting Plug 1/8" BSPT	720501-000197
24	L-Connector 1/8" M x 8MM BSPT	720501-000245
25	SY-3 1/8" Valve, Brass	730104-000192
26	Plug 1/4"M BSPT	720501-000190
27	ARI Air Release Valve 1" BSPT	730108-000120
28	Filtomat Nameplate, English	900103-000001
29	Blind Rivet 3MM x 6MM DIN7337, Stainless Steel 316	760105-000036
30	L-Connector 1/4"M x 8MM BSPT*	720501-000229

*6MM part numbers and descriptions provided on F69 for older installations that were originally supplied with 6MM tubing and connectors.

M100-6800 HYDRAULIC FILTER (M104XLP, M106XLP, M108LP, M110P)

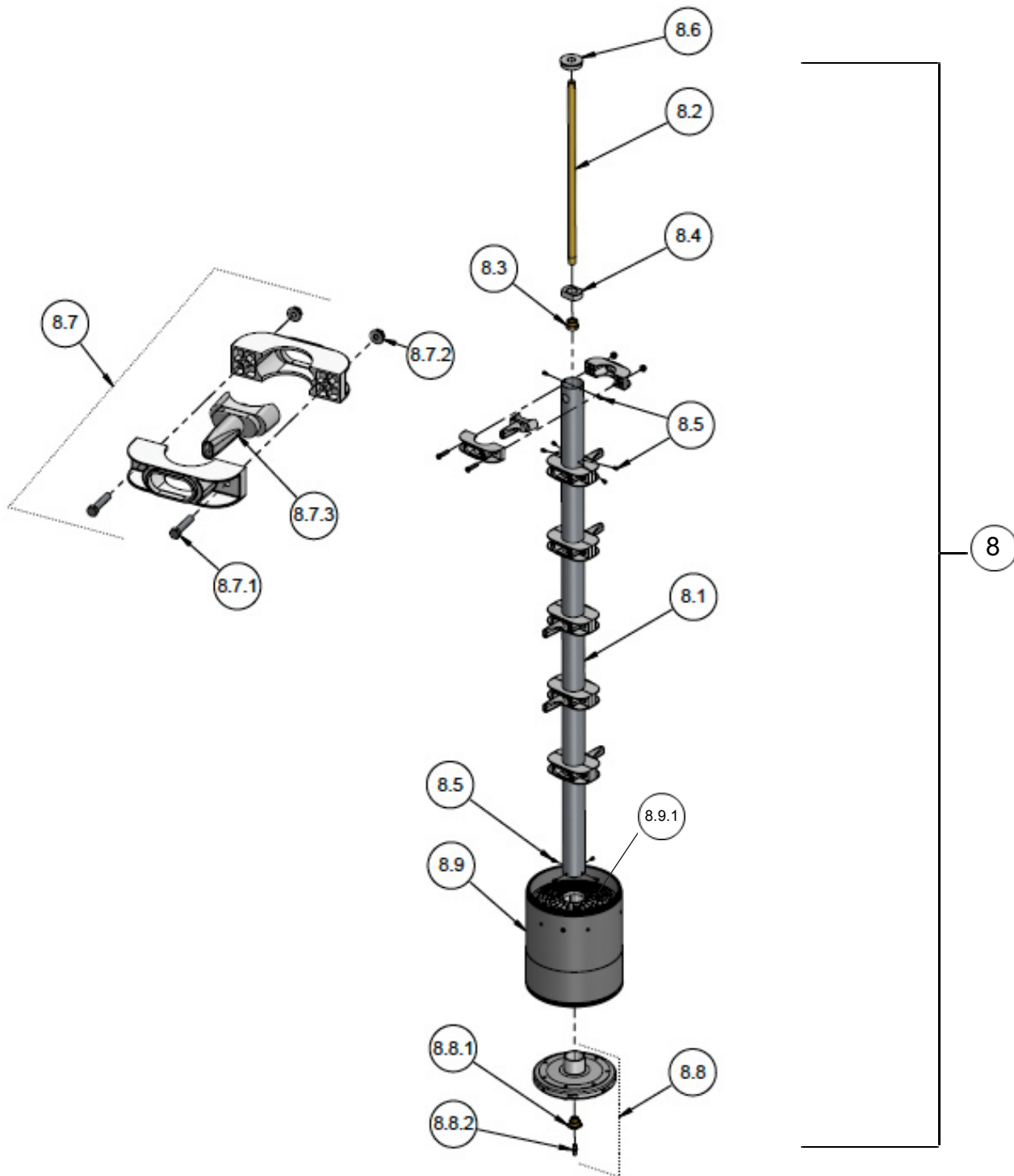


M100-6800 HYDRAULIC FILTER (M104XLP, M106XLP, M108LP, M110P)

NO.	DESCRIPTION	SAP. CAT.NO.
4	Cover Assembly Complete for M104LP through M110P, Cast-Iron	700190-001549
4.1	Cover for M104LP through M110P, 8 Holes, Cast-Iron	710103-000819
4.2	Hex Nut 1/4"UNC, Stainless Steel 316 (complete assembly requires 3 qty)	760102-000078
4.3	Bearing Valve Combined Assembly, Brass	710104-000040
4.4	O-Ring P2-009, NBR (complete assembly requires 6 qty)	770102-000058
4.5	Spacer Bolt, Stainless Steel 303 (complete assembly requires 3 qty)	710103-000895
4.6	Retaining Ring Seal, PVC	710103-000902
4.7	Seat Valve Seal, Delrin (for use with Cast-Iron Cover)	710103-000901
4.8	O-Ring P2-351, NBR	770102-000156
4.9	O-Ring P2-237, Natural (complete assembly requires 2 qty)	770102-000126
4.10	Valve Seat, Brass Rubber-Lined	710104-000039
4.11	Piston Rod for M104LP through M110P, Stainless Steel 316	710103-000869
4.12	U-Ring Seal 95MM x 75MM x 10MM, NBR (complete assembly requires 2 qty)	770105-000019
4.13	Holder Cylinder Seal, Delrin	710103-000900
4.14	Cylinder for M1004LP through M110P, Stainless Steel 316	710103-000843
4.15	Plug for M104LP through M110P	710103-000799
4.16	Tie Rod for Cover Assembly, Stainless Steel 303 (complete assembly requires 8 qty)	710103-000903
4.17	Flat Washer M6 DIN125, Stainless Steel 316 (complete assembly requires 8 qty)	760103-000094
4.18	Nylon Insert Locking Nut 1/4"UNC DIN985, Stainless Steel 316 (complete assembly requires 8 qty)	760102-000097
4.19	Plug 1/4"M, BSPT (complete assembly requires 2 qty)	720501-000190
4.20	L-Connector 1/4"M x 8MM BSPT*	720501-000908

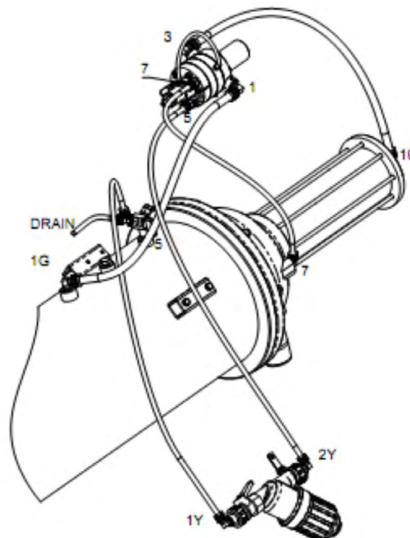
*6MM part numbers and descriptions provided on F69 for older installations that were originally supplied with 6MM tubing and connectors.

M100-6800 HYDRAULIC FILTER (M104XLP, M106XLP, M108LP, M110P)

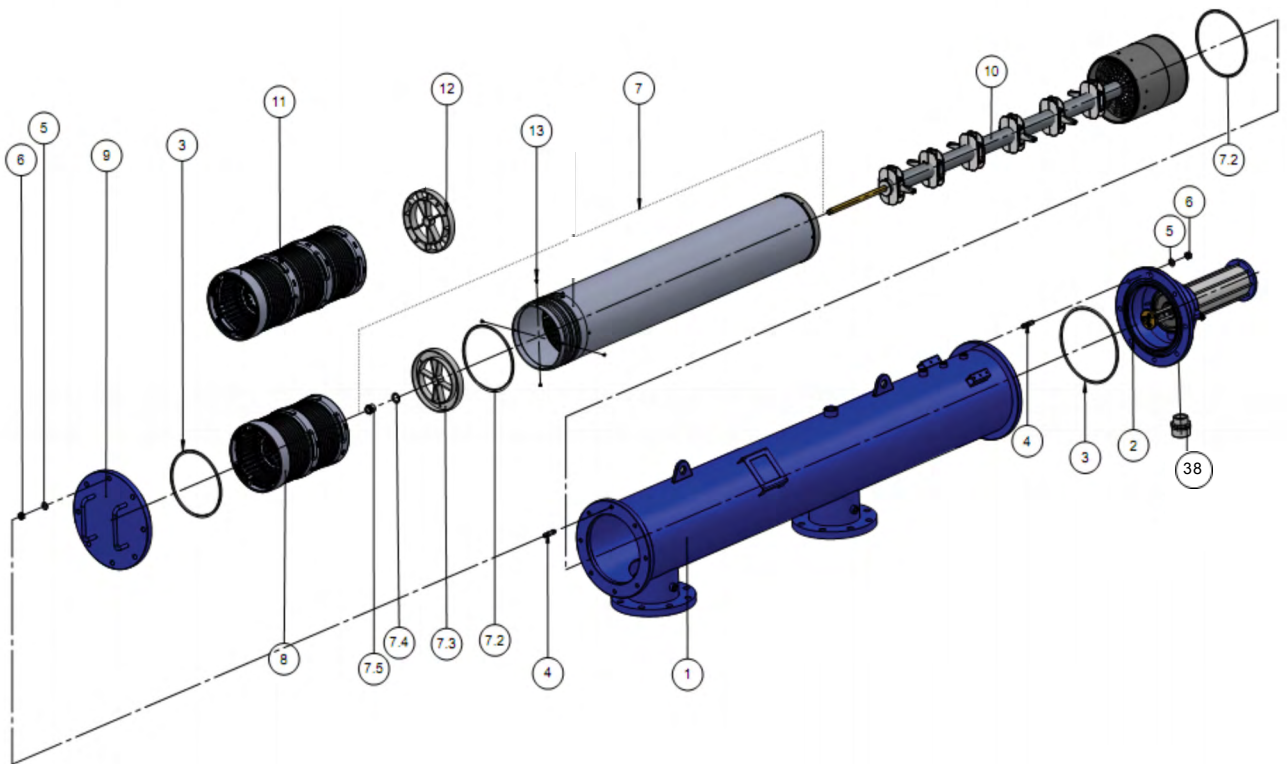


M100-6800 HYDRAULIC FILTER (M104XLP, M106XLP, M108LP, M110P)

NO.	DESCRIPTION	SAP. CAT.NO.
8	Dirt Collector Assembly Complete with 6 Nozzles for M104XLP through M110P	700190-001670
8.1	Dirt Collector Body, Stainless Steel 304	710103-000920
8.2	Dirt Collector Shaft for M104LP through M110P, Brass	710103-001483
8.3	Dirt Collector/Shaft Connector for M104LP through M110P, Brass	710103-001490
8.4	Dirt Collector Central Support	710103-000800
8.5	Phillips Pan Tap Screw No.8 x 3/8", Stainless Steel 316	760101-000688
8.6	Dirt Collector Top Plug	710103-000802
8.7	Nozzle Suction and Clamps 52MM for M104XLP, M106XLP, M108LP, M110P	700190-001609
8.7.1	Hex Bolt Partial Thread 1/4"UNC x 1-1/4", Stainless Steel 304 (complete assembly requires 12 qty)	760101-000417
8.7.2	Nylon Insert Locking Nut 1/4"UNC DIN985, Stainless Steel 316 (complete assembly requires 12 qty)	760102-000097
8.7.3	Suction Nozzle Only (complete assembly requires 6 qty)	710101-000704
8.8	Rotor Assembly for M104LP through M110P	710103-000989
8.8.1	Male Bearing Housing, Brass	710103-001088
8.8.2	Lower Bearing, Stainless Steel 303	710103-001333
8.9	Flushing Chamber for M104LP through M110P	700190-001538
8.9.1	Partition Disc (Black) for M104LP through M110P	710103-000798



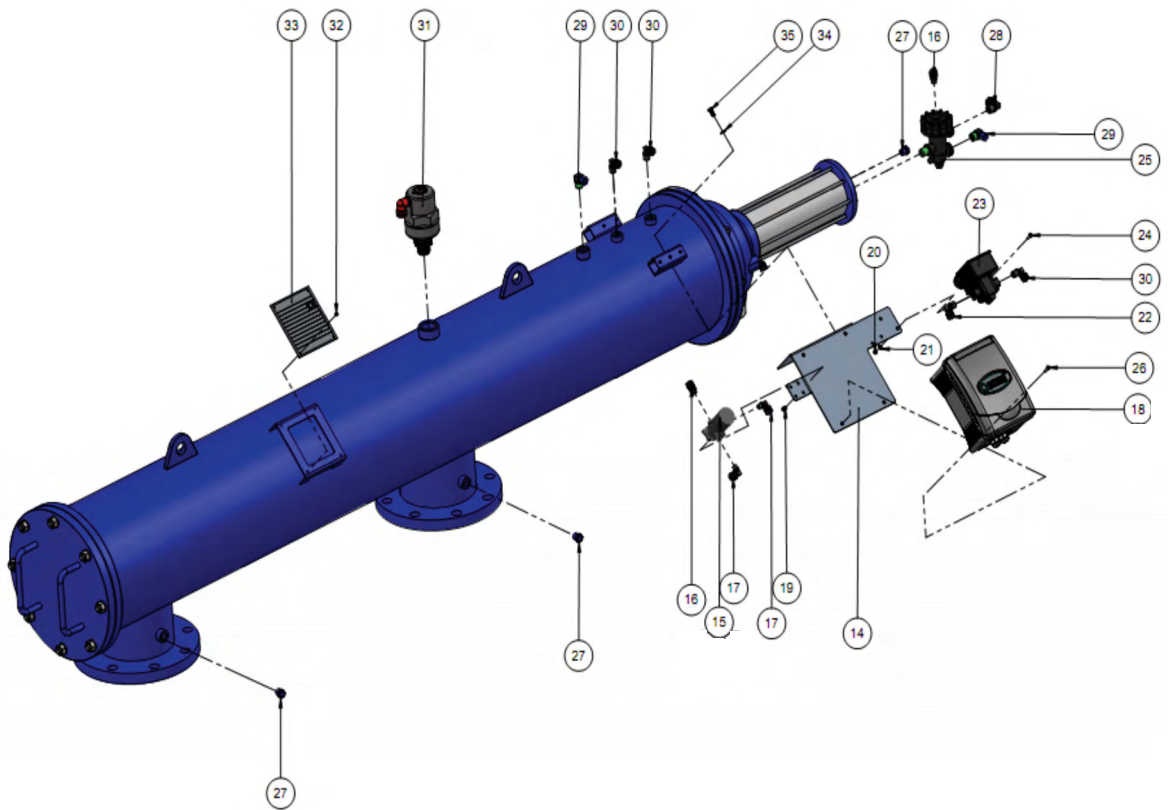
M100-6800 ELECTRONIC FILTER (M104XLP, M106XLP, M108LP, M110P)



M100-6800 ELECTRONIC FILTER (M104XLP, M106XLP, M108LP, M110P)

NO.	DESCRIPTION	SAP. CAT.NO.
1	Filter Housing M104XLP, ASA150	710105-000405
1	Filter Housing M106XLP, ASA150	710105-000412
1	Filter Housing M108LP, ASA150	710105-000433
1	Filter Housing M110P, ASA150	710105-000445
2	Cover Assembly Complete for M104LP through M110P, Cast-Iron	700190-001549
3	Housing O-Ring P2-448, NBR	770102-000174
4	Stud Bolt 1/2"UNC x 50MM, Stainless Steel 303	760104-000075
5	Flat Washer M12 DIN125, Zinc Plated Carbon Steel	760103-000077
6	Hex Nut 1/2"UNC, Zinc Plated Carbon Steel	760102-000052
7	Molded Stainless Steel Screen Assembly	See Page 69
7.2	Screen O-Ring 674, NBR	770102-000217
7.3	M100 Screen Handle Type 1 for M104LP through M106XLP	710101-000716
7.4	Ring Spacer for Fine Screen/Bearing Assembly, Stainless Steel 316	710103-001369
7.5	Upper Bearing for Fine Screen, Stainless Steel 316	710103-001424
8	Injected Coarse Screen Assembly M104LPN, M104XLP, M106LP, M106XLP	700190-004630
9	Cover for M104LP through M110P	710105-000362
10	Dirt Collector Assembly Complete with 6 Nozzles for M104XLP through M110P	700190-001670
11	Injected Coarse Screen Assembly M108LP, M110P	700190-004629
12	M100 Screen Handle Type 2 for M108LP, M110P	710101-000717
13	Phillips Flat Machined Undercut Screw No.10 UNC x 5/16", Stainless Steel 304	760101-000498
38	Fitting Nipple 1-1/2" x 105MM BSP/NPT, PVC	780101-000935

M100-6800 ELECTRONIC FILTER (M104XLP, M106XLP, M108LP, M110P)

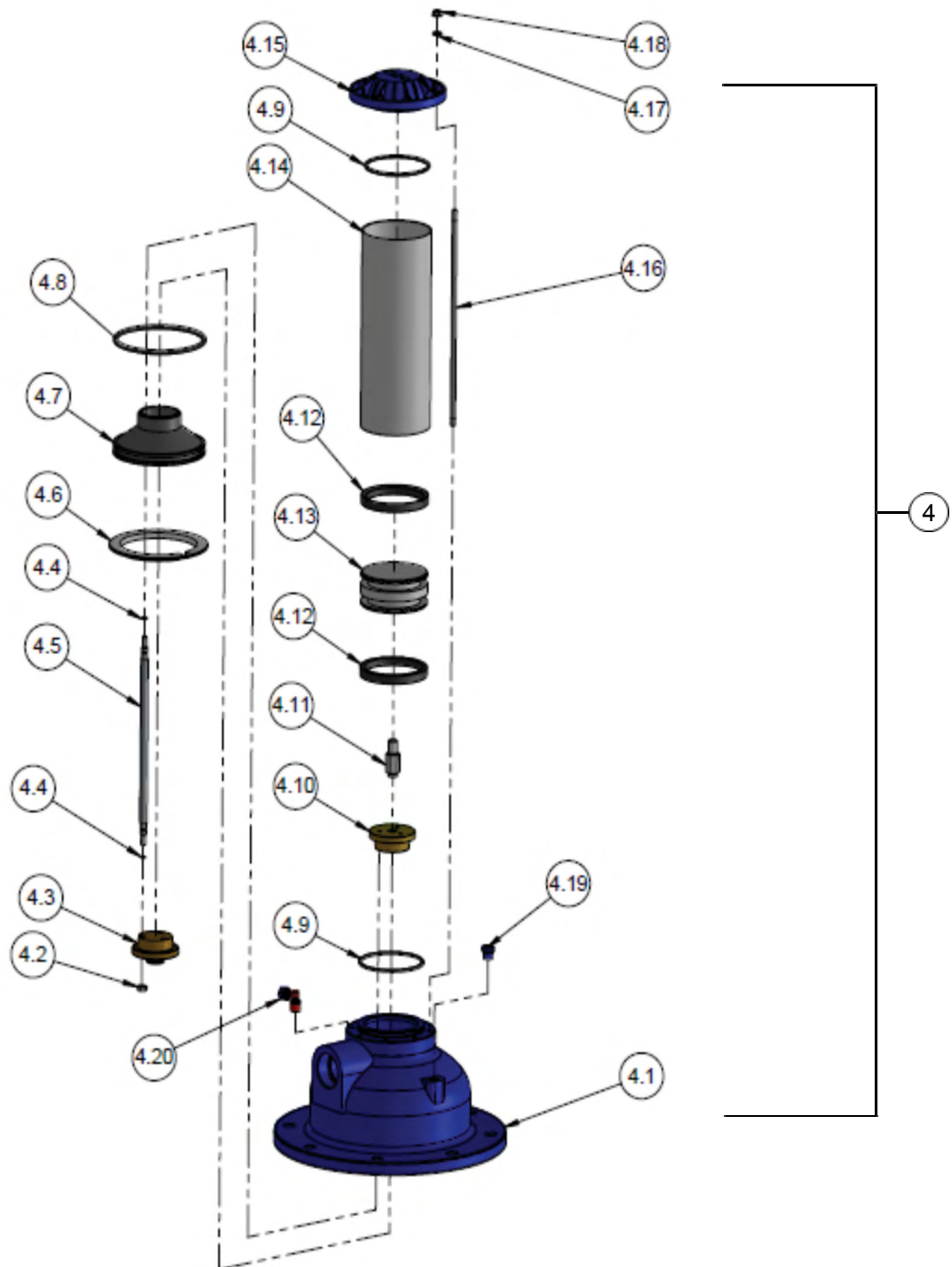


M100-6800 ELECTRONIC FILTER (M104XLP, M106XLP, M108LP, M110P)

NO.	DESCRIPTION	SAP. CAT.NO.
14	Sling for Amiad AMC Controller for M104LP through M110P	710105-004336
15	12V DC Solenoid Latch Valve Body S982-2L 24V AC Solenoid 60HZ NC	720103-000308 700190-001817
16	L-Connector 1/8"M x 8MM*	720501-000191
17	L-Connector 1/8"M x 8MM* for use with DC Solenoid L-Connector 1/8"M x 8MM* for use with AC Solenoid	720501-000191 720501-000198
18	AMC-6 Electronic Controller Only 6/12V DC AMC-6 Electronic Controller Only 110V AC	720101-000477 720101-000554
19	Phillips Pan Machine Screw M5 x 16MM, Stainless Steel 304	760101-000531
20	Hex Nut M4 DIN934, Stainless Steel 304	760102-000083
21	Flat Washer M4 DIN125, Stainless Steel 304	760103-000092
22	Straight Connector 1/8"M x 8MM*	720501-000212
23	Midwest PD Switch 24-011	720104-000028
24	Phillips Pan Machine Screw M4 x 15MM DIN7985, Stainless Steel 304	760101-000510
25	3/8" Dorot Plastic Accelerator	730110-000009
26	Phillips Pan Machine Screw M5 x 12mm DIN7985, Stainless Steel 304	760101-000988
27	Plug 1/4"M BSPT	720501-000190
28	L-Connector 3/8"M x 8MM*	720501-000605
29	L-Connector 3/8"M x 12MM*	720501-000199
30	Straight Connector 1/8"M x 8MM*	720501-000212
31	ARI Air Release Valve 1" BSPT	730108-000120
32	Blind Rivet 3MM x 6MM DIN7337, Stainless Steel 316	760105-000036
33	Filtomat Nameplate, English	900103-000001
34	Spring Washer M6 DIN127, Stainless Steel 316	760103-000109
35	Hex Bolt Full Thread 1/4"UNC x 1/2", Stainless Steel 316	760101-000552

*6MM part numbers and descriptions provided on F69 for older installations that were originally supplied with 6MM tubing and connectors.

M100-6800 ELECTRONIC FILTER (M104XLP, M106XLP, M108LP, M110P)

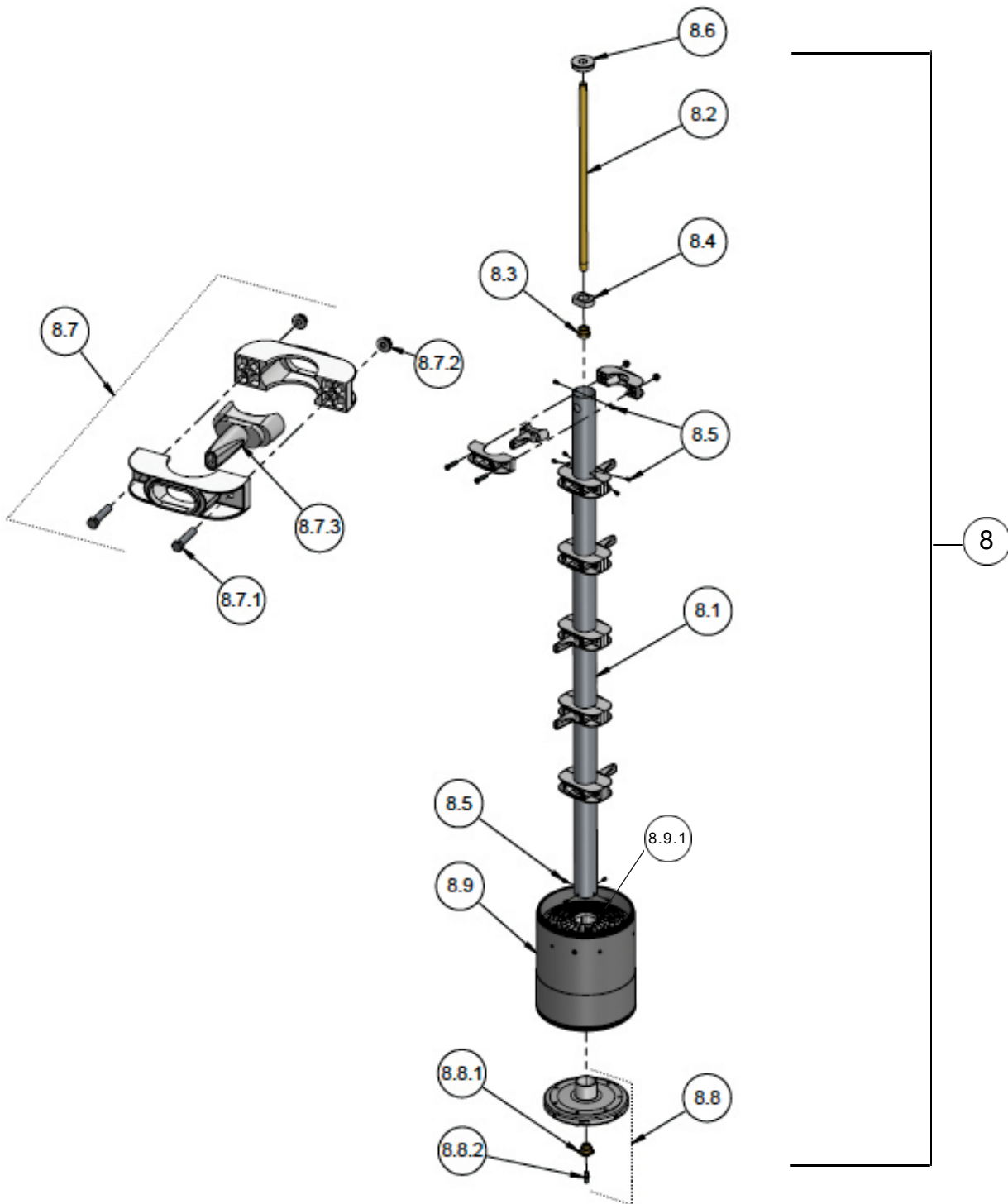


M100-6800 ELECTRONIC FILTER (M104XLP, M106XLP, M108LP, M110P)

NO.	DESCRIPTION	SAP. CAT.NO.
4	Cover Assembly Complete for M104LP through M110P, Cast-Iron	700190-001549
4.1	Cover for M104LP through M110P, 8 Holes, Cast-Iron	710103-000819
4.2	Hex Nut 1/4"UNC, Stainless Steel 316 (complete assembly requires 3 qty)	760102-000078
4.3	Bearing Valve Combined Assembly, Brass	710104-000040
4.4	O-Ring P2-009, NBR (complete assembly requires 6 qty)	770102-000058
4.5	Spacer Bolt, Stainless Steel 303 (complete assembly requires 3 qty)	710103-000895
4.6	Retaining Ring Seal, PVC	710103-000902
4.7	Seat Valve Seal, Delrin (for use with Cast-Iron Cover)	710103-000901
4.8	O-Ring P2-351, NBR	770102-000156
4.9	O-Ring P2-237, Natural (complete assembly requires 2 qty)	770102-000126
4.10	Valve Seat, Brass Rubber-Lined	710104-000039
4.11	Piston Rod for M104LP through M110P, Stainless Steel 316	710103-000869
4.12	U-Ring Seal 95MM x 75MM x 10MM, NBR (complete assembly requires 2 qty)	770105-000019
4.13	Holder Cylinder Seal, Delrin	710103-000900
4.14	Cylinder for M1004LP through M110P, Stainless Steel 316	710103-000843
4.15	Plug for M104LP through M110P	710103-000799
4.16	Tie Rod for Cover Assembly, Stainless Steel 303 (complete assembly requires 8 qty)	710103-000903
4.17	Flat Washer M6 DIN125, Stainless Steel 316 (complete assembly requires 8 qty)	760103-000094
4.18	Nylon Insert Locking Nut 1/4"UNC DIN985, Stainless Steel 316 (complete assembly requires 8 qty)	760102-000097
4.19	Plug 1/4"M, BSPT (complete assembly requires 2 qty)	720501-000190
4.20	L-Connector 1/4"M x 8MM BSPT*	720501-000908

*6MM part numbers and descriptions provided on F69 for older installations that were originally supplied with 6MM tubing and connectors.

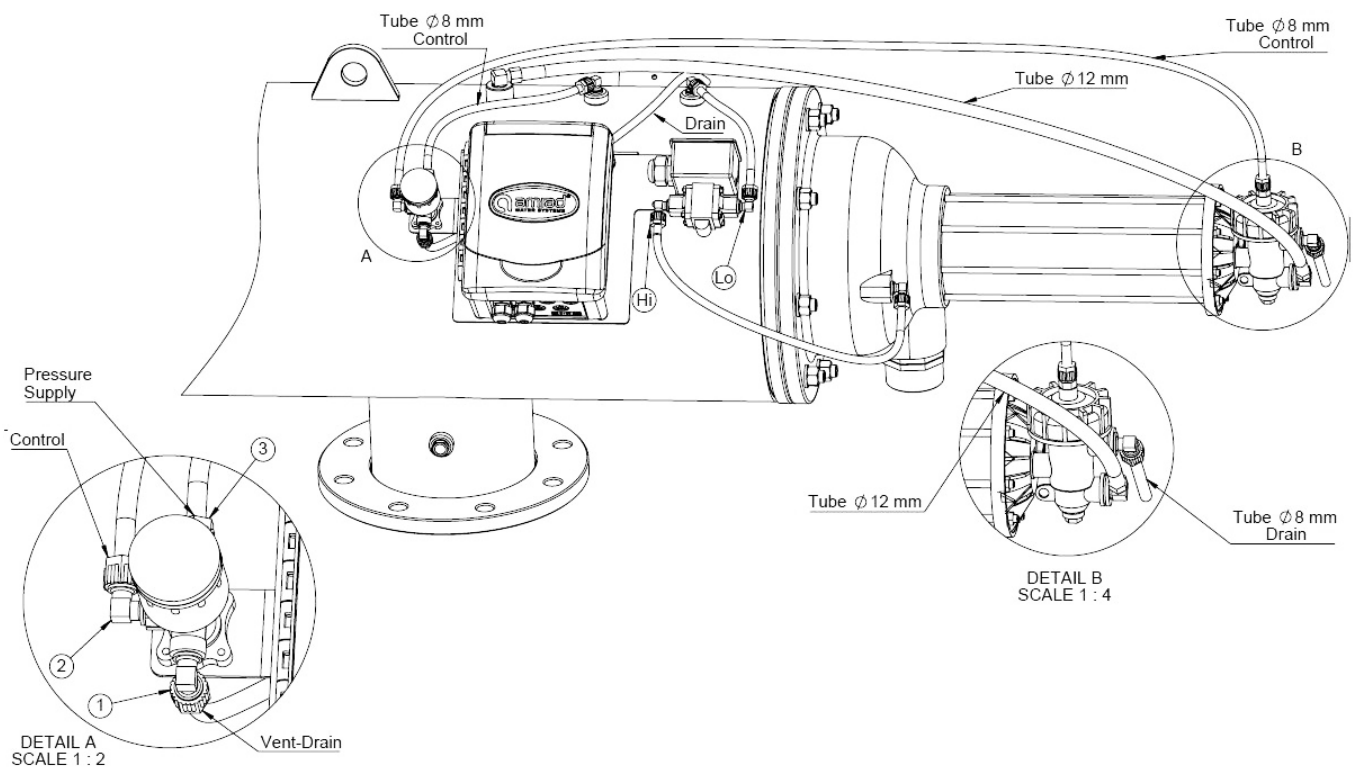
M100-6800 ELECTRONIC FILTER (M104XLP, M106XLP, M108LP, M110P)



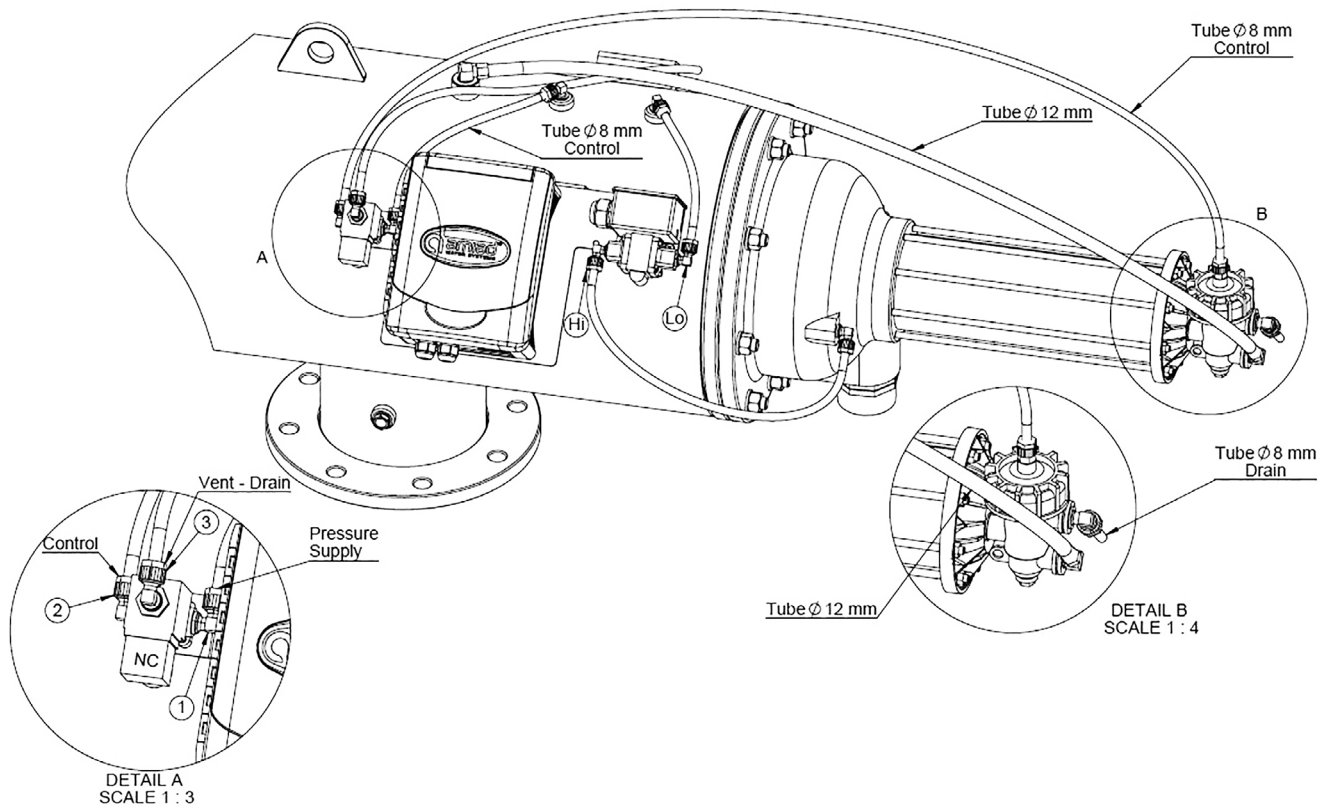
M100-6800 ELECTRONIC FILTER (M104XLP, M106XLP, M108LP, M110P)

NO.	DESCRIPTION	SAP. CAT.NO.
8	Dirt Collector Assembly Complete with 6 Nozzles for M104XLP through M110P	700190-001670
8.1	Dirt Collector Body, Stainless Steel 304	710103-000920
8.2	Dirt Collector Shaft for M104LP through M110P, Brass	710103-001483
8.3	Dirt Collector/Shaft Connector for M104LP through M110P, Brass	710103-001490
8.4	Dirt Collector Central Support	710103-000800
8.5	Phillips Pan Tap Screw No.8 x 3/8", Stainless Steel 316	760101-000688
8.6	Dirt Collector Top Plug	710103-000802
8.7	Nozzle Suction and Clamps 52MM for M104XLP, M106XLP, M108LP, M110P	700190-001609
8.7.1	Hex Bolt Partial Thread 1/4"UNC x 1-1/4", Stainless Steel 304 (complete assembly requires 12 qty)	760101-000417
8.7.2	Nylon Insert Locking Nut 1/4"UNC DIN985, Stainless Steel 316 (complete assembly requires 12 qty)	760102-000097
8.7.3	Suction Nozzle Only (complete assembly requires 6 qty)	710101-000704
8.8	Rotor Assembly for M104LP through M110P	710103-000989
8.8.1	Male Bearing Housing, Brass	710103-001088
8.8.2	Lower Bearing, Stainless Steel 303	710103-001333
8.9	Flushing Chamber for M104LP through M110P	700190-001538
8.9.1	Partition Disc (Black) for M104LP through M110P	710103-000798

M100-6800 ELECTRONIC DC TUBING (M104XLP, M106XLP, M108LP, M110P)



M100-6800 ELECTRONIC AC TUBING (M104XLP, M106XLP, M108LP, M110P)



M100-6800 FILTER SCREENS (M104XLP, M106XLP, M108LP, M110P)

DESCRIPTION	SAP. CAT.NO.
M104XLP, M106XLP Molded Weavewire St/St 316 Screen, 6800SQ.CM. 50 micron, NBR Seal	700101-001575
M104XLP, M106XLP Molded Weavewire St/St 316 Screen, 6800SQ.CM. 80 micron, NBR Seal	700101-000571
M104XLP, M106XLP Molded Weavewire St/St 316 Screen, 6800SQ.CM. 100 micron, NBR Seal	700101-000572
M104XLP, M106XLP Molded Weavewire St/St 316 Screen, 6800SQ.CM. 130 micron, NBR Seal	700101-000573
M104XLP, M106XLP Molded Weavewire St/St 316 Screen, 6800SQ.CM. 200 micron, NBR Seal	700101-000574
M104XLP, M106XLP Molded Weavewire St/St 316 Screen, 6800SQ.CM. 300 micron, NBR Seal	700101-000575
M104XLP, M106XLP Molded Weavewire St/St 316 Screen, 6800SQ.CM. 500 micron, NBR Seal	700101-000576
M108LP, M110P Molded Weavewire St/St 316 Screen, 6800SQ.CM. 50 micron, NBR Seal	700101-001645
M108LP, M110P Molded Weavewire St/St 316 Screen, 6800SQ.CM. 80 micron, NBR Seal	700101-000597
M108LP, M110P Molded Weavewire St/St 316 Screen, 6800SQ.CM. 100 micron, NBR Seal	700101-000598
M108LP, M110P Molded Weavewire St/St 316 Screen, 6800SQ.CM. 130 micron, NBR Seal	700101-000599
M108LP, M110P Molded Weavewire St/St 316 Screen, 6800SQ.CM. 200 micron, NBR Seal	700101-000600
M108LP, M110P Molded Weavewire St/St 316 Screen, 6800SQ.CM. 300 micron, NBR Seal	700101-000601
M108LP, M110P Molded Weavewire St/St 316 Screen, 6800SQ.CM. 500 micron, NBR Seal	700101-000602

M100 TUBING & 6MM CONNECTORS*

DESCRIPTION	SAP. CAT.NO.
Control Tubing - 6MM (sold in 1' increments)	720502-000019
Control Tubing - 8MM (sold in 1' increments)	720502-000020
Control Tubing - 12MM (sold in 1' increments)	720502-000021
L-Connector 1/8"M x 6MM BSPT	720501-000209
L-Connector 1/4"M x 6MM BSPT	720501-000242
Straight Connector 1/8"M x 6MM BSPT	720501-000341
Straight Connector 1/4"M x 6MM BSPT	720501-000342
T-Connector 1/8"M x 6MM BSPT	720501-000377
T-Connector 1/4"M x 6MM BSPT	720501-000607

*6MM part numbers and descriptions provided for older installations when filters were originally supplied with 6MM tubing and connectors.

