

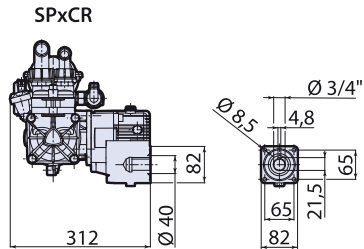
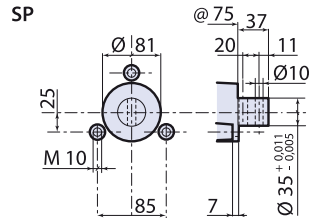
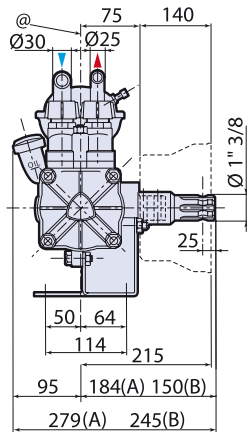
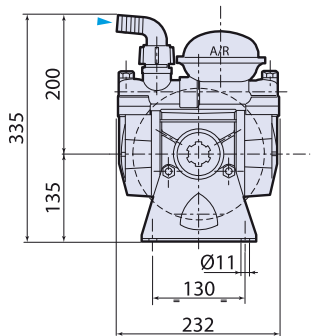
Description

Semi-hydraulic two-diaphragm pump, for use in low pressure systems.

Parts in contact with pumped liquids in plastic-coated aluminium Rilsan and AISI 303/304. Diaphragms in BlueFlex™. Seals in NBR. Die-cast casing with oil-immersed mechanism and clear plastic tank for visual level checking. Remote oil tank installation kit available on request. Fitted with air-hydraulic damper for smoother operation and less hammer effect in the delivery circuit. Oil drainage stopper. Pistons with ring for a more efficient “oil cushion” system to protect the diaphragm. Spherical sector profile valves for lower flow resistance and improved volumetric efficiency. Rugged feet secured to pump casing. Mass-produced safety valve and cardan protection. Geomet metal fasteners.



Details	Value
ARCode	32004
Category	Low Pressure
Product	AR 70 bp BlueFlex™
Version	C
Number of diaph	2
Delivery (l/min)	74.1
Delivery (gpm)	19,6
Pressure (bar)	20
Pressure (psi)	290
Power (hp)	3.4
RPM	550
Weight (kg)	11.8
Dimensions (mm) L	232
Dimensions (mm) H	335
Dimensions (mm) W	245
Suction (mm)	ø 30
Outlet (mm)	ø 25
Temperature Max °C	60



A = C/w cardan • Con appl.C
 B = Integral shaft • Albero integrale
 @ = Pump axis • Asse pompa

With reduction gear - Con riduttore