

Description

Semi-hydraulic three-diaphragm pump, for use in the semi-professional agricultural sectors. Trolley-mounted in combination with electric motors or internal combustion engines for gardening, and small sprayers for medium-pressure pesticide treatments in gardens, greenhouses, orchards or vineyards.

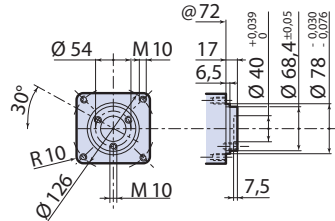
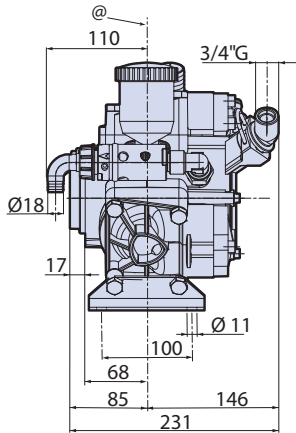
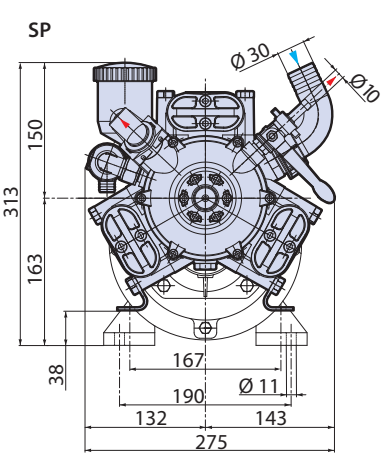
Parts in contact with pumped liquids in anodized aluminium, and AISI 303/304. Diaphragms in BlueFlex™. Seals in NBR. Die-cast casing with oil-immersed mechanism and clear plastic tank for visual level checking. Remote level monitoring sensor on request. Remote oil tank installation kit available on request. Oil drainage stopper. Pistons with ring for a more efficient "oil cushion" system to protect the diaphragm.

New-design diaphragm cut-out system to prevent contact tearing even in heavy-duty operating conditions. Spherical sector profile valves for lower flow resistance and improved volumetric efficiency. Mass-produced safety valve and cardan protection. Metal fasteners with galvanised finish.

Available with reduction gearboxes for electric motors or internal combustion engines and flanges for hydraulic motors.



Details	Value
ARCode	32102
Category	Anodized medium pressure
Product	AR 503
Version	SP
Number of diaph	3
Delivery (l/min)	54,1
Delivery (gpm)	14.3
Pressure (bar)	40
Pressure (psi)	580
Power (hp)	5,6
RPM	550
Weight (kg)	11,5
Dimensions (mm) L	372
Dimensions (mm) H	274
Dimensions (mm) W	294
Suction (mm)	ø 30
Outlet (mm)	ø 3/4" G(M)
Temperature Max °C	60



@ = Pump axis - Asse pompa