

Description

Semi-hydraulic two-diaphragm pump, for use in the semi-professional agricultural sectors. Trolley-mounted in combination with electric motors or internal combustion engines for gardening, and small sprayers for medium-pressure pesticide treatments in gardens, greenhouses, orchards or vineyards.

Parts in contact with pumped liquids in Rilsan-coated aluminium, and AISI 303/304. Diaphragms in BlueFlex™. Seals in NBR.

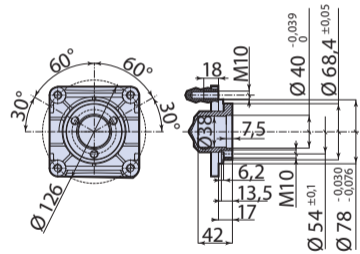
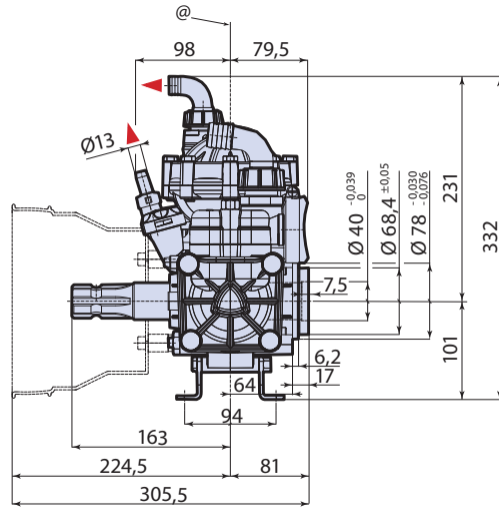
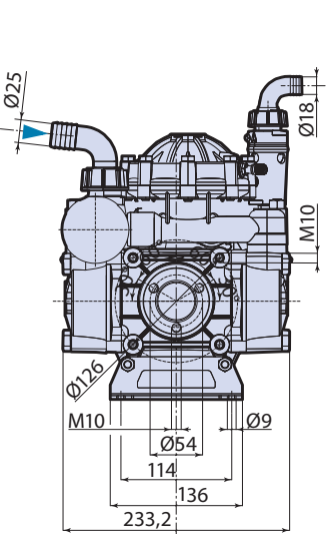
Die-cast casing with oil-immersed mechanism and clear plastic tank for visual level checking. Fitted with air-hydraulic damper for smoother operation and less hammer effect in the delivery circuit. Oil drainage stopper. Pistons with ring for a more efficient "oil cushion" system to protect the diaphragm.

New-design diaphragm cut-out system to prevent contact tearing even in heavy-duty operating conditions. Spherical sector profile valves for lower flow resistance and improved volumetric efficiency. Mass-produced safety valve and cardan protection. Metal fasteners with galvanised finish.

Available with reduction gearboxes for electric motors or internal combustion engines and flanges for hydraulic motors, overgears or small cultivating machines.



Details	Value
ARCode	32096
Category	Plastic-coated medium pressure
Product	AR 30
Version	AP C/SP
Number of diaph	2
Delivery (l/min)	36,2
Delivery (gpm)	9,6
Pressure (bar)	40
Pressure (psi)	580
Power (hp)	2,9
RPM	550
Weight (kg)	9,3
Dimensions (mm) L	252
Dimensions (mm) H	319
Dimensions (mm) W	303
Suction (mm)	ø 25
Outlet (mm)	ø 13
Temperature Max °C	60



@ = Pump axis - Asse pompa