

Description

Semi-hydraulic two-diaphragm pump, for use in the gardening or semi-professional agricultural sectors. Trolley-mounted in combination with electric motors or internal combustion engines for gardening, and small sprayers for medium-pressure pesticide treatments in gardens, greenhouses, orchards or vineyards.

Parts in contact with pumped liquids in anodized aluminium, and AISI 303/304. Diaphragms in BlueFlex™. Seals in NBR. Die-cast casing with oil-immersed mechanism and clear plastic tank for visual level checking. Fitted with air-hydraulic damper for smoother operation and less hammer effect in the delivery circuit. Pistons with ring for a more efficient "oil cushion" system to protect the diaphragm.

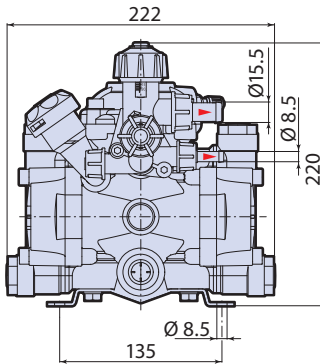
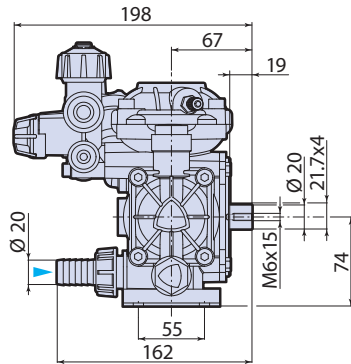
Metal fasteners with galvanised finish.

Available with reduction gearboxes for electric motors or internal combustion engines and flanges for hydraulic motors or small cultivating machines.

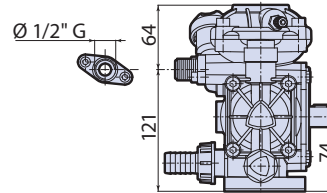


Details	Value
ARCode	32093
Category	Medium pressure
Product	AR 252
Version	SP SGC
Number of diaph	2
Delivery (l/min)	24,6
Delivery (gpm)	6.5
Pressure (bar)	25
Pressure (psi)	362
Power (hp)	1,42
RPM	650
Weight (kg)	4
Dimensions (mm) L	222
Dimensions (mm) H	237
Dimensions (mm) W	248
Suction (mm)	ø 20
Outlet (mm)	Ø 1/2" G (M)
Temperature Max °C	60

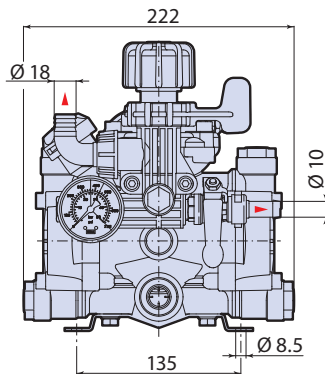
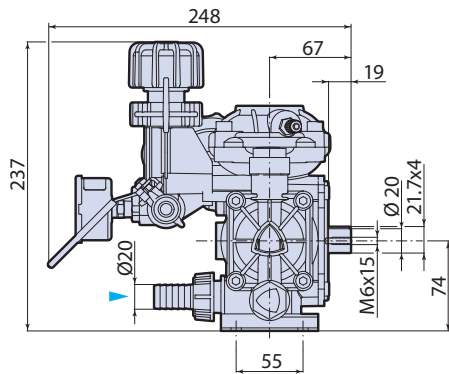
AR 202 SP VRI



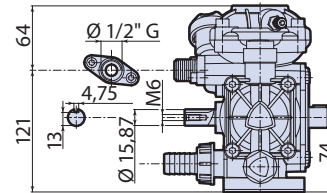
SP SGC



AR 252 SP VRI GR30



AP SP SGC



CR/xS

