

Description

Semi-hydraulic four-diaphragm pump, for use on sprayers for high pressure pesticide spraying in orchards and vineyards.

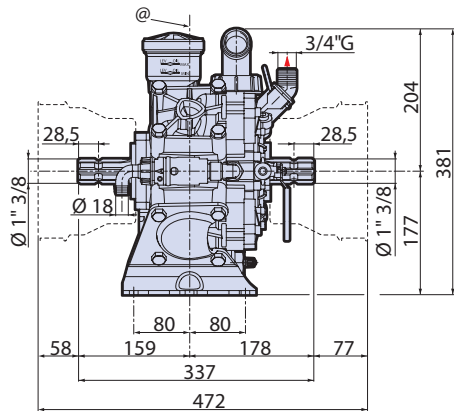
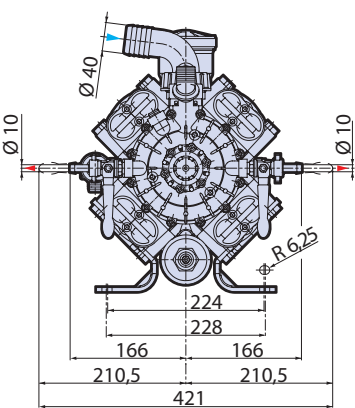
Parts in contact with pumped liquids in anodized aluminium, and AISI 303/304. Diaphragms in BlueFlex™. Seals in NBR. Die-cast casing with oil-immersed mechanism and clear plastic tank for visual level checking. Fitted with air-hydraulic damper for smoother operation and less hammer effect in the delivery circuit. Remote level monitoring sensor on request. Remote oil tank installation kit available on request. Oil drainage stopper. Pistons with ring for a more efficient "oil cushion" system to protect the diaphragm.

New-design diaphragm cut-out system to prevent contact tearing even in heavy-duty operating conditions. Spherical sector profile valves for lower flow resistance and improved volumetric efficiency. Mass-produced safety valve and cardan protection. Metal fasteners with galvanised finish.

Available with reduction gearboxes for electric motors or internal combustion engines and flanges for hydraulic motors.



Details	Value
ARCode	32116
Category	Anodised high pressure
Product	AR 1064
Version	AP C/SP
Number of diaph	4
Delivery (l/min)	108,5
Delivery (gpm)	28.7
Pressure (bar)	50
Pressure (psi)	725
Power (hp)	13,1
RPM	550
Weight (kg)	23,5
Dimensions (mm) L	348
Dimensions (mm) H	375
Dimensions (mm) W	409
Suction (mm)	ø 40
Outlet (mm)	ø 3/4 " G(M)
Temperature Max °C	60



@ = Pump axis - Asse pompa

Δ Nelle pompe C/SP la quota Δ 17 si riduce a 15 con la flangia anello tenuta montata sul corpo pompa. N.B. Togliere la flangia anello tenuta cod. 1400140 prima di accoppiare il riduttore alla pompa.

Δ In C/SP pumps the value Δ 17 is reduced to 15 with the seal ring flange mounted on the pump body. N.B. Remove the seal ring flange code 1400140 before fitting the reduction gear to the pump.

